



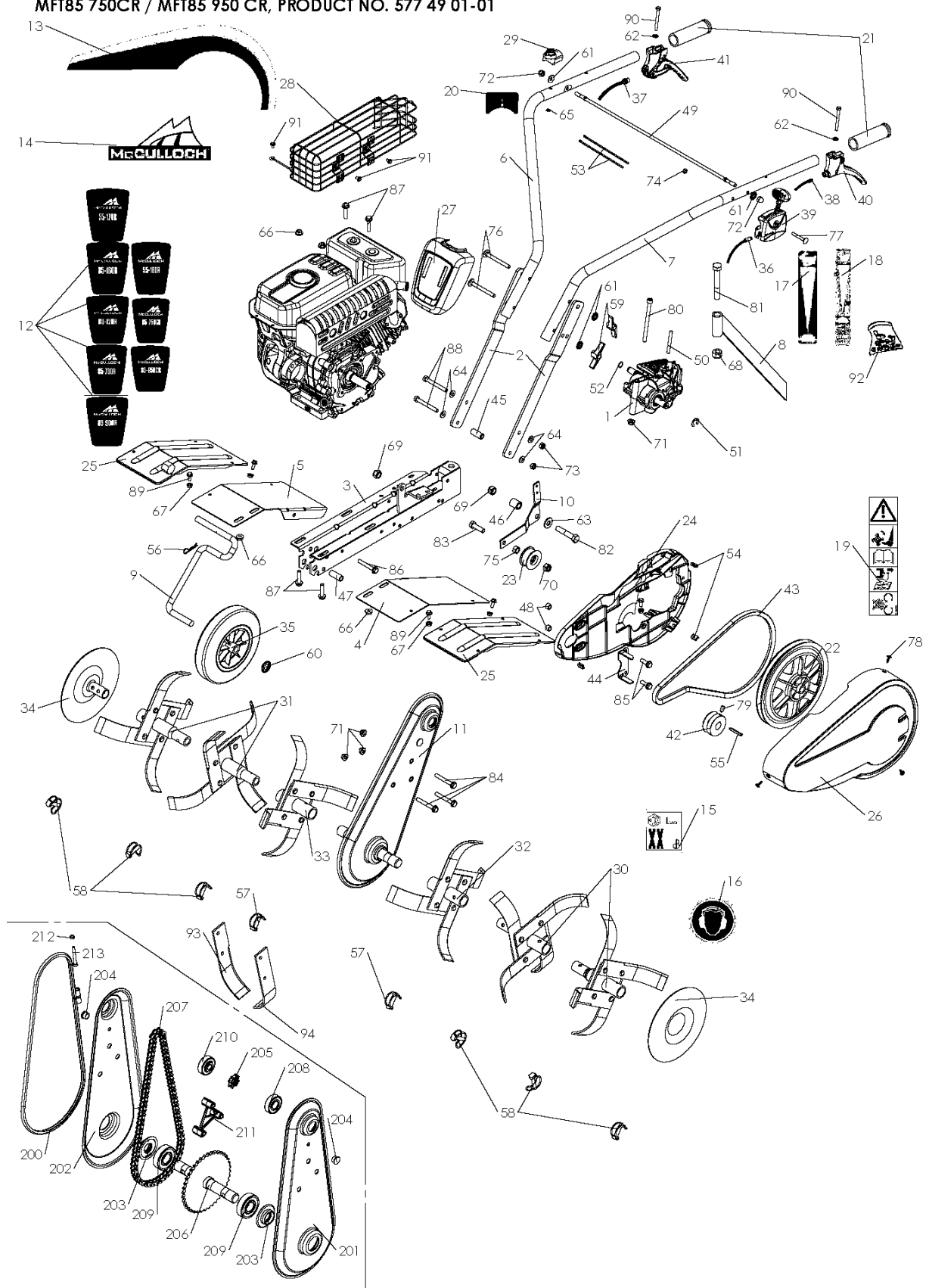
# SPARE PARTS LIST

## CULTIVATORS/TILLERS

MFT85 950CR, 967045801, 2016-05

REPAIR PARTS

TILLER - MODEL NO. MFT55 170R / MFT55 180R / MFT60 120R / MFT85 160R / MFT85 700R / MFT85 900R / MFT85 750CR / MFT85 950 CR, PRODUCT NO. 577 49 01-01



## PRODUCT COMPLETE

MFT85 950CR, 967045801, 2016-05

Ref	Part No	Description	Remark	QTY KIT
1	588 42 12-01	GEARBOX		1
2	577 48 75-01	HANDLEBAR		2
3	577 48 74-01	FRAME		1
4	577 48 79-01	GUARD		1
5	577 48 78-01	GUARD		1
6	577 48 77-01	HANDLEBAR		1
7	577 48 76-01	HANDLEBAR		1
8	531 00 82-06	TAIL-SKID		1
9	577 44 80-01	WHEEL		1
10	519 65 34-07	LEVER		1
11	575 35 87-01	TRANSMISSION		1
12	582 59 10-01	STICKER		1
12	585 36 51-01	STICKER		1
12	586 66 28-01	STICKER		1
12	577 48 95-01	STICKER		1
12	577 48 96-01	STICKER		1
12	577 48 97-01	STICKER		1
12	582 59 08-01	STICKER		1
12	582 59 09-01	STICKER		1
13	577 48 94-01	STICKER		1
14	577 48 93-01	STICKER		1
15	587 69 99-01	LABEL		1
15	501 96 25-01	LABEL		1
16	577 46 33-01	STICKER		1
17	519 64 66-80	DECAL		1
18	531 00 82-51	DECAL		2
19	531 00 85-40	DECAL		1
20	501 96 37-01	LABEL		1
21	544 31 14-01	GRIP		2
22	519 65 30-60	PULLEY		1
23	519 65 34-57	PULLEY		1
24	577 52 48-01	COVER PLATE		1
25	577 48 85-01	GUARD		2
26	577 48 87-01	BELT COVER		1
27	577 48 90-01	BRACKET		1
28	577 54 63-01	GRILLE		1
28	531 00 94-18	GRILL		1
29	577 51 77-01	SWITCH		1
29	531 00 85-58	STOP SWITCH		1
30	531 00 82-14	TINE		2
31	531 00 82-15	TINE		2
32	531 00 82-11	BLADE		1
33	531 00 82-13	BLADE		1
34	519 65 33-62	COVER		2
35	577 44 78-01	WHEEL		1
36	577 52 50-01	THROTTLE CABLE		1
37	577 46 37-01	CABLE		1
38	588 42 13-01	CABLE		1
39	577 45 30-01	THROTTLE LEVER		1
40	501 00 52-01	GEARSHIFT LEVER		1
41	577 46 36-01	LEVER		1
42	544 24 39-01	PULLEY		1
43	575 36 02-01	BELT		1
44	531 00 85-77	BELT GUIDE		1
45	575 36 09-01	SPACER		1
46	575 36 05-01	SPACER		1
47	575 36 10-01	SPACER		1
48	531 00 82-16	SPACER		2
49	577 45 24-01	HANDLEBAR		1
50	519 65 30-67	SHAFT		1
51	580 31 42-01	RETAINER RING		1
52	519 65 34-66	RETAINING RING		1
53	544 31 11-01	COLLAR		4
54	519 65 34-25	CLIP		3

## PRODUCT COMPLETE

MFT85 950CR, 967045801, 2016-05

Ref	Part No	Description	Remark	QTY KIT
55	519 65 30-21	KEY		1
56	519 65 12-20	PIN RETAINING SCREW		1
57	577 45 36-01	CLIP		2
58	577 45 35-01	CLIP		6
59	531 00 84-62	WING NUT		2
60	577 46 31-01	WASHER		1
61	544 31 49-01	WASHER		4
62	531 00 94-03	WASHER		2
63	519 65 34-53	WASHER		1
64	544 20 81-01	WASHER		4
65	531 00 85-39	WASHER		1
66	519 65 34-30	NUT		4
67	519 65 34-32	NUT		5
68	531 00 85-78	NUT		1
69	752 25 50-51	ECROU DE FREIN		2
70	519 65 34-58	NUT		1
71	586 72 10-01	NUT		5
72	577 48 91-01	CAP NUT		2
73	544 20 79-01	NUT		2
74	732 26 16-01	HEXAGON LOCKING NUT		1
75	519 65 34-56	NUT		1
76	575 36 13-01	SCREW		2
77	577 45 38-01	SCREW		1
78	519 65 34-26	SCREW		3
79	728 69 23-00	SCREW		1
80	577 52 53-01	SCREW		1
81	531 00 82-20	BOLT		1
82	575 36 18-01	SCREW		1
83	519 65 34-55	SCREW		1
84	573 94 31-01	BOLT		3
85	573 94 25-01	BOLT		2
85	519 65 34-12	SCREW		2
86	575 36 16-01	SCREW		1
87	544 20 73-01	SCREW		4
88	575 36 17-01	SCREW		2
89	519 65 34-35	SCREW		5
90	519 65 31-13	SCREW		2
91	519 65 30-48	SCREW		3
91	585 36 53-01	SCREW		1
91	585 36 54-01	SCREW		2
92	577 46 32-01	BAG		1
93	519 65 34-47	BLADE		1
94	519 65 34-48	BLADE		1
200	577 49 04-01	FLANGE		1
201	519 65 30-42	HOUSING		1
202	519 65 30-41	HOUSING		1
203	531 00 85-76	RING		2
204	519 65 33-91	PLUG		2
205	519 65 30-57	PINION		1
206	519 65 30-07	SPROCKET		1
207	575 36 23-01	CHAIN		1
208	505 54 40-01	BALL		1
209	519 65 30-53	BEARING		2
210	531 00 85-46	RING		1
211	585 36 55-01	SPACER		1
212	732 26 16-01	HEXAGON LOCKING NUT		1
213	501 96 38-01	SCREW		1