

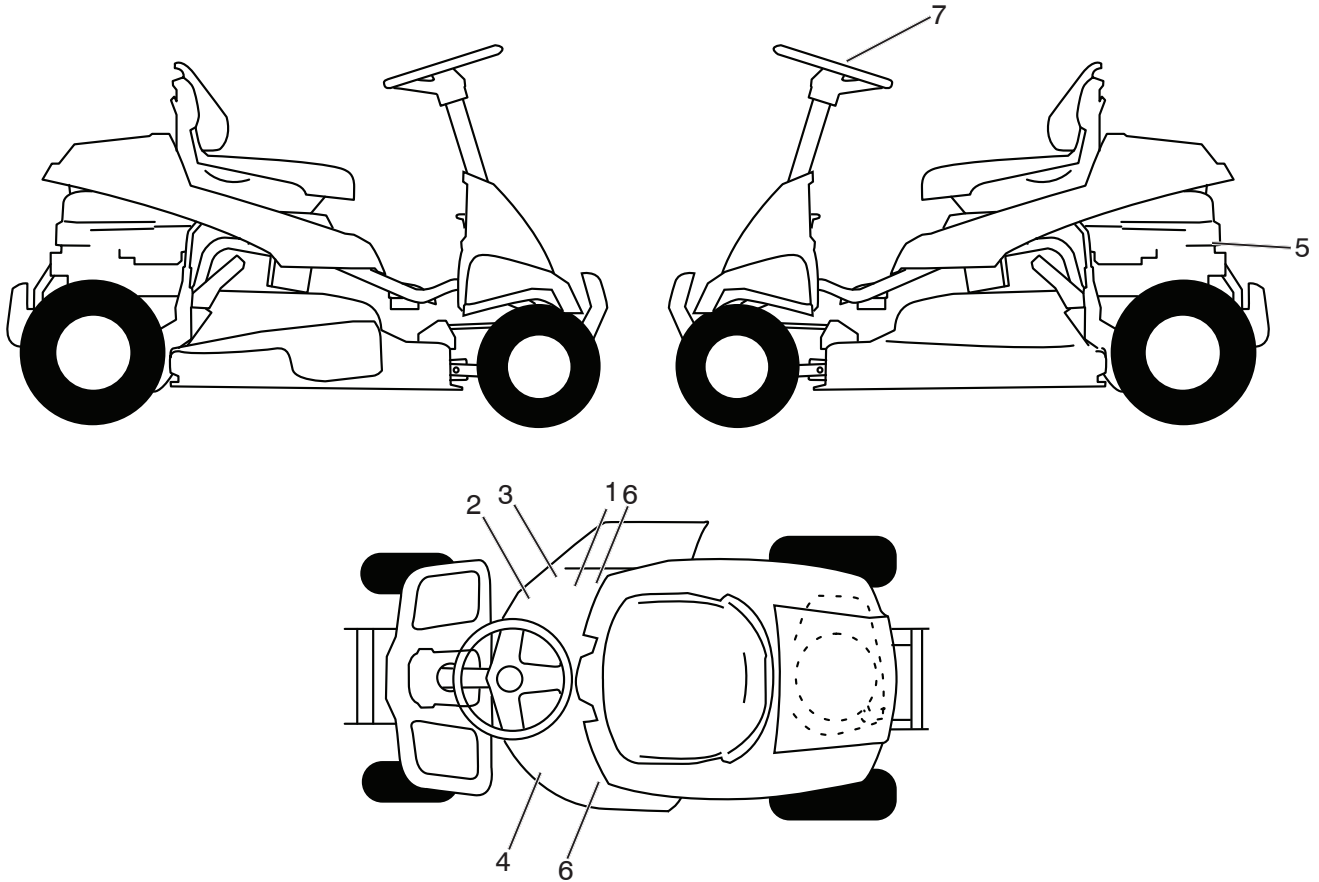
ILLUSTRATED PARTS LIST

MODEL NO. 96021003300

CUSTOMER CATALOG NO. M125-77X

PRODUCT NO. 960 21 00-33

**RIDING MOWER -- MODEL NO. M125-77X (96021003300), PRODUCT NO. 96021 00-33
DECALS 27**

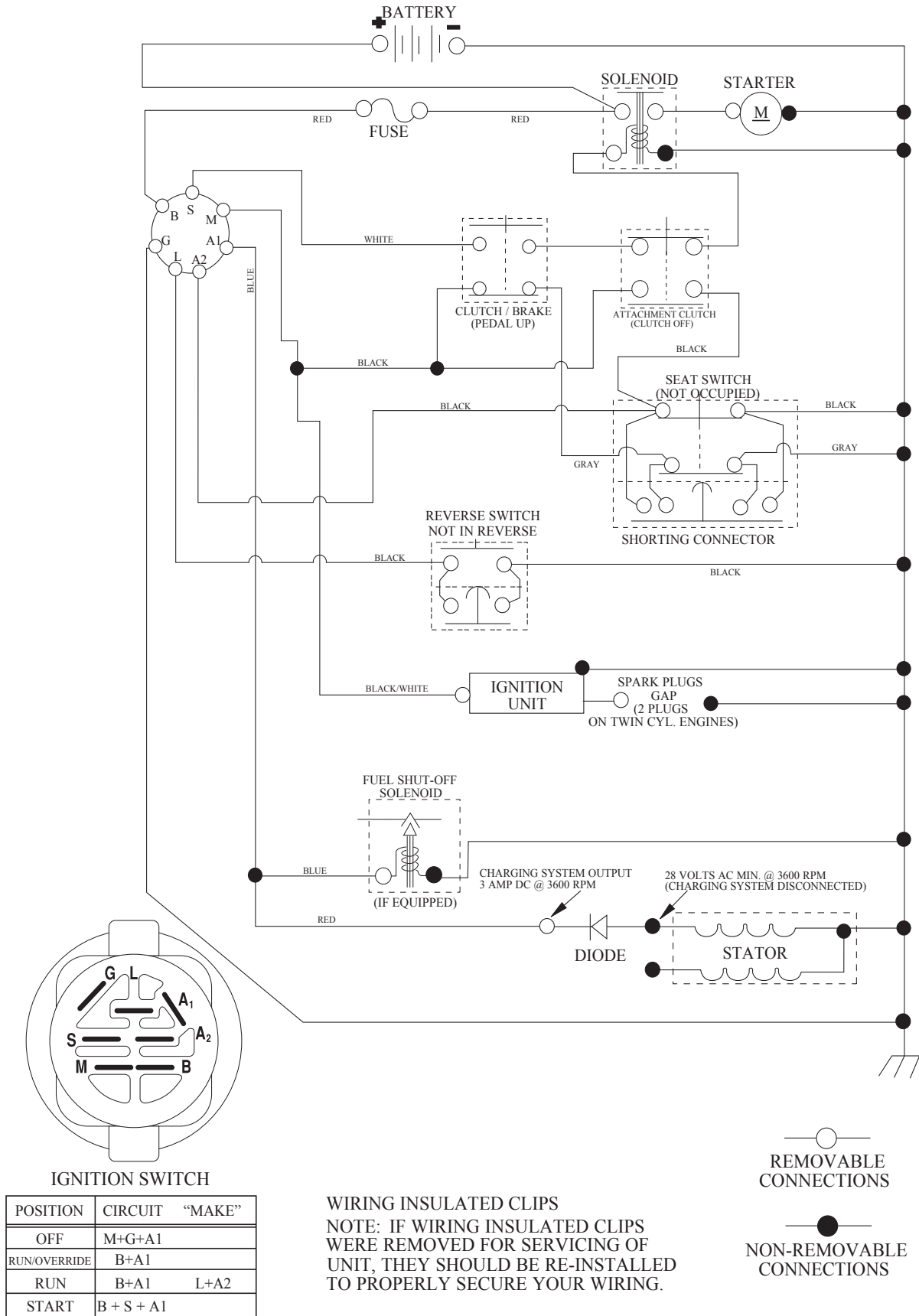


KEY NO.	PART NO.	DESCRIPTION
1	584 90 46-01	DECAL, DECK/DEFLECT WARNING
2	532 44 14-97	DECAL, V-BELT SCH
3	581 57 93-01	DECAL, WARN. DEFLECT/CTFGR
4	587 45 85-01	DECAL, DECK/DEFLECT
5	585 56 13-01	DECAL, ENGINE H.P.
6	581 72 43-01	DECAL, DECAL DECK NO STEP
7	501 49 43-01	DECAL, STEERING WHEEL
--	588 89 66-40	MANUAL OPER.MCC.EURO
--	588 89 66-50	MANUAL OPER.MCC.SCAN
--	588 89 66-20	MANUAL OPER.MCC.EBLOC
--	588 89 66-30	MANUAL OPER.MCC.BALTIC

NOTE: All component dimensions given in U.S. inches
1 inch = 25.4 mm

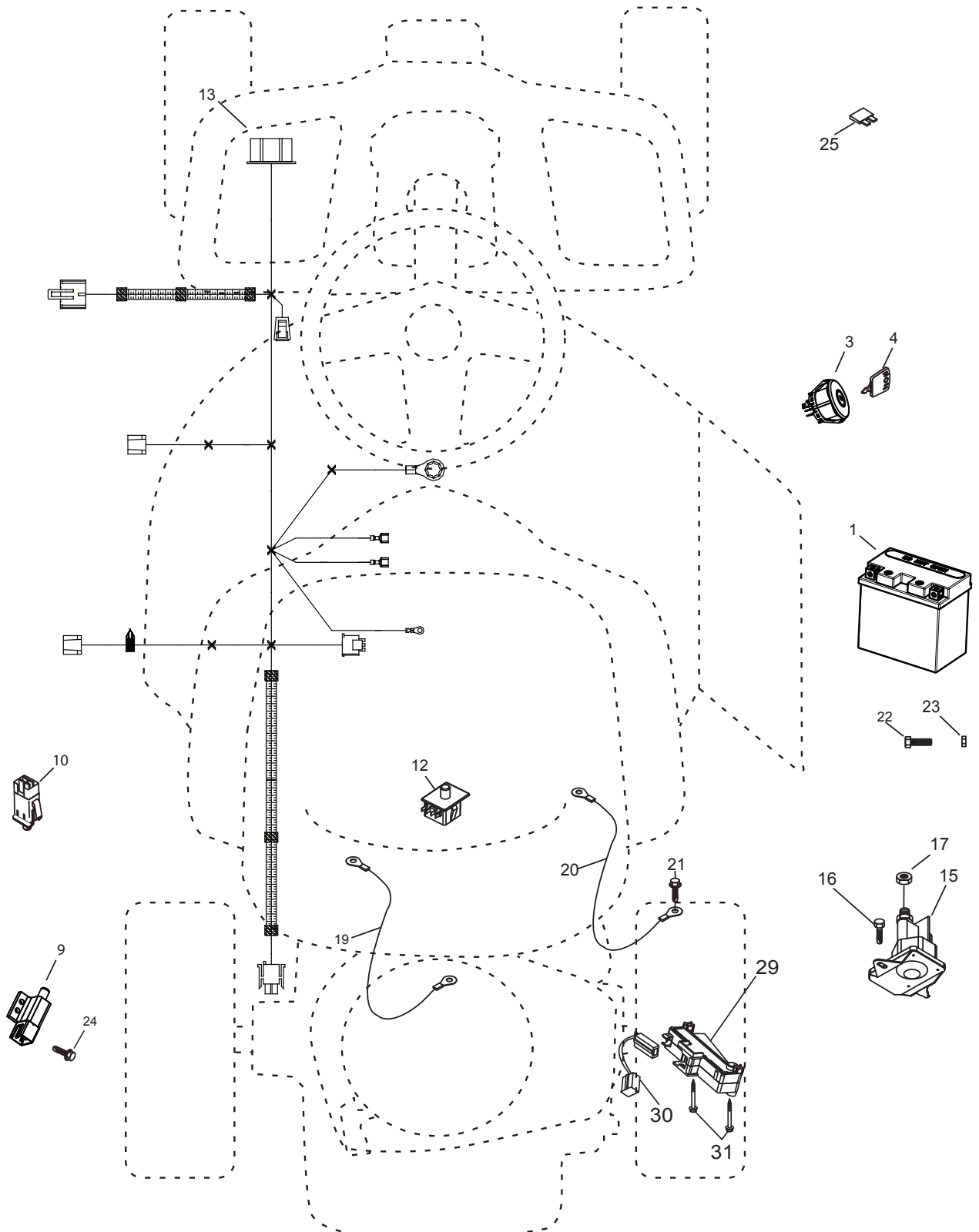
RIDING MOWER-- MODEL NO. M125-77X (96021003300), PRODUCT NO. 96021 00-33 SCHEMATIC **38**

SCH24



RIDING MOWER -- MODEL NO. M125-77X (96021003300), PRODUCT NO. 96021 00-33
ELECTRICAL **32**

LRV3A

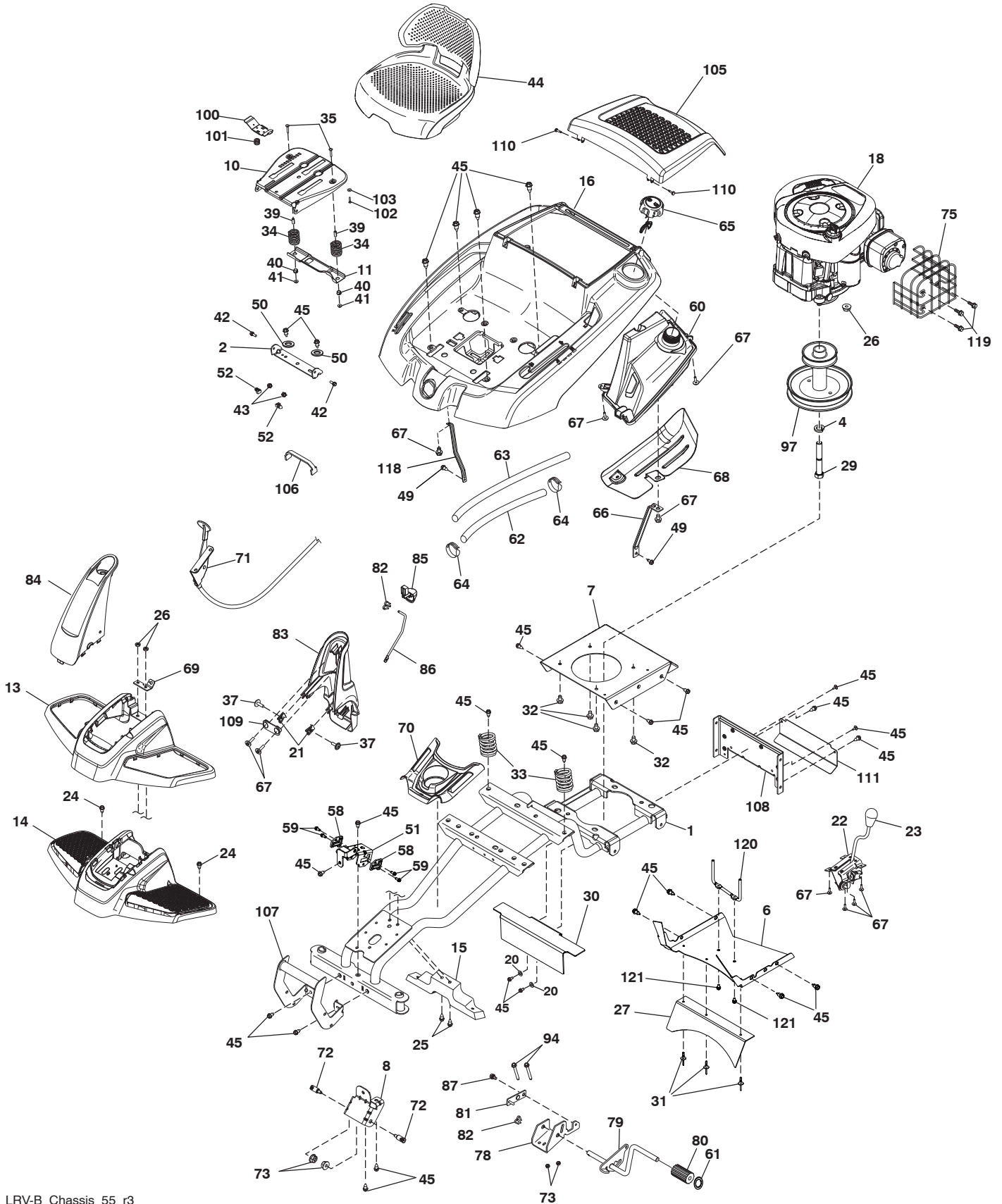


**RIDING MOWER--MODEL NO. M125-77X (96021003300), PRODUCT NO. 96021 00-33
ELECTRICAL 32**

KEY PART NO.	PART NO.	DESCRIPTION
1	532 43 65-51	BATTERY
3	532 19 33-50	SWITCH, IGN, DLTA, P-IN, ROS
4	532 41 19-35	KEY/CHAIN
9	532 10 95-53	SWITCH, INTLK,CL, MWR, GRY
10	532 17 61-38	SWITCH, INTERLOCK, NONC,GRAY
12	532 19 27-49	SWITCH, SEAT, DP, ROS
13	584 29 96-01	HARNESS, IGN, ELECTSTART, LRV
15	582 04 28-01	SOLENOID
16	817 00 05-12	SCREW 5/16-18 X 3/4
17	873 51 04-00	NUT KEPS HEX 1/4-20 UNC
19	532 42 12-99	CABLE STARTER
20	532 42 12-98	CABLE GROUND
21	817 06 05-12	SCREW 5/16-18 X 3/4
22	532 44 21-48	SCREW HEX M5X0.8.9MM
23	532 43 81-22	NUT M5
24	574 82 27-01	SCREW #10-24 X .75
25	532 43 48-99	FUSE, 10
29	532 19 18-34	MODULE REVERSE
30	581 62 52-01	JUMPER PIGTAIL
31	532 19 25-40	SCREW PLASTIC

NOTE: All component dimensions given in U.S. inches
1 inch = 25.4 mm

RIDING MOWER -- MODEL NO. M125-77X (96021003300), PRODUCT NO. 96021 00-33
CHASSIS AND ENCLOSURES 39



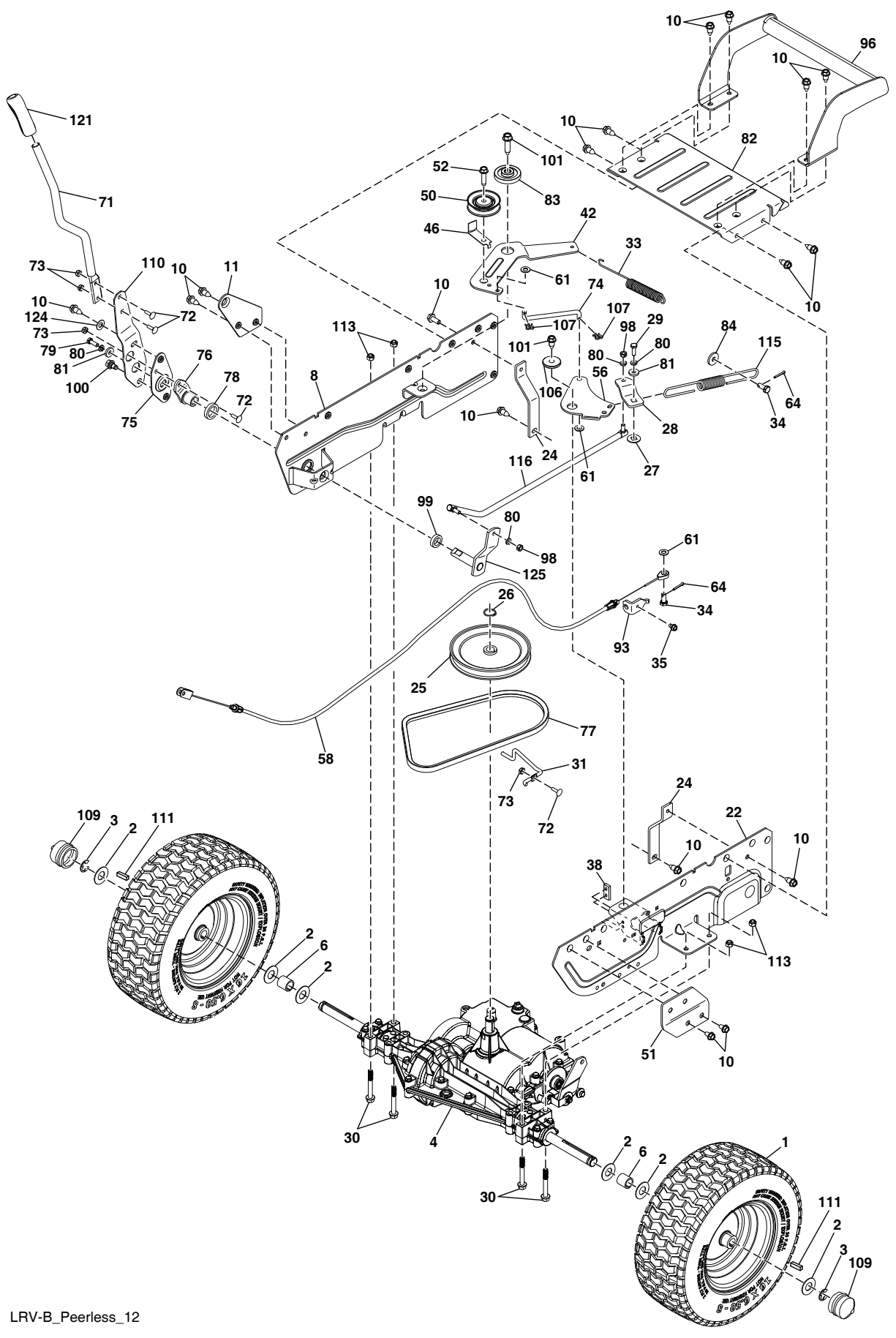
LRV-B_Chassis_55_r3

**RIDING MOWER-- MODEL NO. M125-77X (96021003300), PRODUCT NO. 96021 00-33
CHASSIS AND ENCLOSURES 39**

KEY NO.	PART NO.	DESCRIPTION	KEY NO.	PART NO.	DESCRIPTION
1	532 43 61-76	WELDMENT, CHASSIS	60	532 43 78-01	FUEL TANK ASM
2	532 18 01-66	BRACKET, SEAT'	61	587 01 57-02	NUT PUSH
4	539 99 02-47	WASHER SLW STD 7/16	62	863 08 37-30	FUEL LINE
6	584 82 32-02	PAN, BELLY, GUARD	63	532 41 41-19	PURGE LINE
7	532 43 61-77	PLATE, ENGINE	64	532 12 34-87	CLAMP HOSE
8	587 58 18-01	BRACKET, CHASSIS FRONT	65	581 17 61-01	FUEL CAP
10	532 44 18-05	PAN, SEAT	66	532 43 66-06	FUEL TANK SUPPORT BRKT
11	532 19 93-70	BRACKET, SWITCH MOUNTING	67	532 42 17-56	SCREW #10 X 0.500
13	532 44 20-71	COVER, FOOT REST	68	532 43 98-51	SHIELD HEAT
14	532 44 20-75	FOOTREST STRUCTURAL	69	532 43 74-27	BRACKET MOUNT CABLE
15	532 44 20-69	SUPPORT, FOOT REST	70	532 44 20-68	CONSOLE CENTER CUPHOLDER
16	584 97 69-13	PANEL CONTROL ASM	71	532 43 78-57	THROTTLE ASM
18	-----	ENGINE, 21R707-0103-B1 (587451601) (NON-CALIFORNIA) (ORDER PARTS FROM ENGINE MANUFACTURER.)	72	532 19 51-61	STUD FASTNER
20	819 11 12-16	WASHER 11 X 32 C 3/4 X 16 GA.	73	873 90 05-00	NUT LOCK FLANGE 5/16-18
21	585 52 35-01	CLIP	75	585 88 30-01	GUARD LRVB. MUFFLER
22	586 04 19-01	DECK CLUTCH ASM	78	532 43 70-56	BRACKET SUPPORT ROD
23	532 14 98-46	KNOB	79	532 43 70-57	BRAKE WELDMENT
24	532 41 63-58	SCREW #10 X 0.750	80	532 42 96-93	BRAKE PEDAL COVER
25	872 14 04-24	BOLT	81	532 43 73-74	WELDMENT LINK CONNECTING
26	873 51 04-00	NUT, 1/4-20	82	532 16 94-84	RETAINER CLIP
27	584 82 34-01	GUARD, PAN EXTENSION PLASTIC	83	587 68 64-03	COLUMN REAR STERRING ASM
29	501 60 69-01	BOLT HEX 7/16-20 X 3.5 GR.5 YELLOW	84	587 38 86-07	STEERING BOOT FRONT
30	585 92 69-01	ENGINE PLATE	85	532 43 76-60	PARKING BRAKE HANDLE
31	532 14 08-11	RIVET	86	532 43 87-62	ACTUATOR PARKING BRAKE
32	817 06 06-20	SCREW 3/8-16 X 1-1/4	87	532 16 54-92	SHOULDER BOLT
33	587 61 33-01	SPRING, SEAT	94	874 49 05-48	BOLT
34	532 12 37-40	SPRING	97	581 43 80-01	PULLEY ENGINE
35	872 05 04-12	BOLT, 1/4-20 X 1 1/2	100	532 19 76-61	HANDLE SLIDE SEAT
37	532 14 18-41	SCREW 10-16 x .65	101	532 19 82-00	SPRING LATCH SEAT
39	532 13 43-00	SPACER	102	874 76 06-12	BOLT FIN HEX 3/8-16 UNC X 3/4
40	532 12 12-48	BUSHING, NYLON SNAP	103	501 05 18-01	WASHER WINGED 3/8 ID 1.5 OD
41	532 12 39-76	NUT, LOCK	105	532 44 79-92	ENGINE COVER
42	587 90 78-01	BOLT, 5/16-18 X 5/8 SHOULDER	106	532 43 68-34	STRAP BATTERY
43	873 80 05-00	NUT, 5/16-18	107	532 44 20-74	FRONT BRUSH GUARD
44	532 43 66-12	SEAT	108	532 43 71-68	COVER REAR TRANSAXLE
45	817 00 05-12	BOLT, 5/16-18 X 3/4	109	532 43 90-08	BRAKE HANDLE PLATE
49	817 06 05-16	SCREW	110	532 44 21-45	CONTROL PANEL HINGE PIN
50	819 13 20-16	WASHER 13/32 X 1-1/4 X 16 GA.	111	532 43 81-71	SHIELD CABLE, BRAKE
51	585 92 03-02	BRACKET STEERING	118	532 44 50-02	SUPPORT CONTROL PANEL RH
52	532 14 50-06	CLIP PUSH-IN HINGED	119	586 42 27-01	SCREW 8-18 X 1/2 HEX WASHER
58	588 45 25-01	BUSHING RACK LRVB	120	588 06 46-02	BELT KEEPER ENGINE
59	532 13 77-29	SCREW THD ROLL 1/4-20 X 5/8	121	817 60 04-06	SCREW 1/4-20 X 3/8

NOTE: All component dimensions given in U.S. inches
1 inch = 25.4 mm

RIDING MOWER -- MODEL NO. M125-77X (96021003300), PRODUCT NO. 96021 00-33
DRIVE **40**

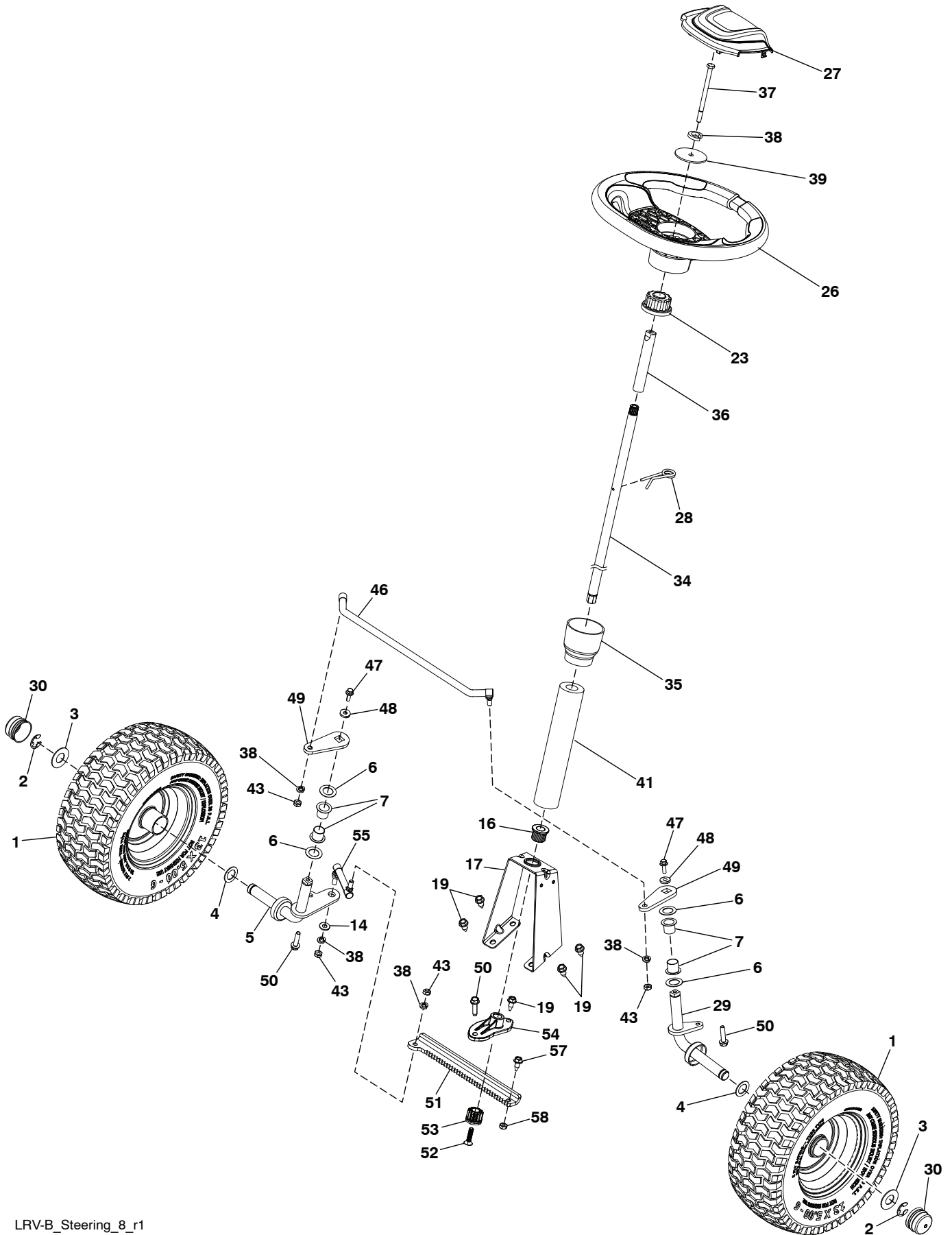


**RIDING MOWER-- MODEL NO. M125-77X (96021003300), PRODUCT NO. 960 21 00-33
DRIVE 40**

KEY PART NO. NO.	DESCRIPTION	KEY PART NO. NO.	DESCRIPTION
1	532 44 20-79	80	810 04 04-00
2	532 12 17-48	81	819 09 12-10
3	812 00 00-01	82	581 52 52-02
4	584 83 63-01	83	532 19 43-21
6	532 15 69-72	84	819 11 16-10
8	581 52 47-02	93	532 42 80-70
10	817 00 05-12	96	532 44 20-73
11	532 43 67-41	98	532 15 03-60
22	581 52 46-02	99	581 04 92-01
24	580 96 08-02	100	532 16 54-92
25	581 43 77-01	101	817 06 06-24
26	812 00 00-28		
27	532 10 57-01	106	532 19 90-92
28	580 94 93-02	107	532 17 80-62
29	874 55 04-12	109	532 19 32-68
30	874 49 05-40	110	532 42 84-61
31	581 43 81-02	111	532 12 35-83
33	581 59 31-01	113	873 90 05-00
34	581 52 50-01	115	581 49 38-01
35	817 49 04-06	116	580 94 92-01
38	581 22 30-01	121	580 96 23-01
42	580 96 13-02	124	532-16 60-02
46	581 44 42-02		
50	532 19 95-34	125	580 94 98-02
51	532 43 67-39		
52	817 58 05-20		
56	581 44 40-02		
58	581 53 16-01		
61	819 11 11-16		
64	876 02 04-12		
71	532 43 68-65		
72	539 11 56-20		
73	873 68 04-00		
74	580 96 12-01		
75	532 42 84-64		
76	532 44 43-04		
77	581 60 59-01		
78	532 42 90-55		
79	874 78 04-12		

NOTE: All component dimensions given in U.S. inches
1 inch = 25.4 mm

RIDING MOWER -- MODEL NO. M125-77X (96021003300), PRODUCT NO. 96021 00-33
STEERING ASSEMBLY 41

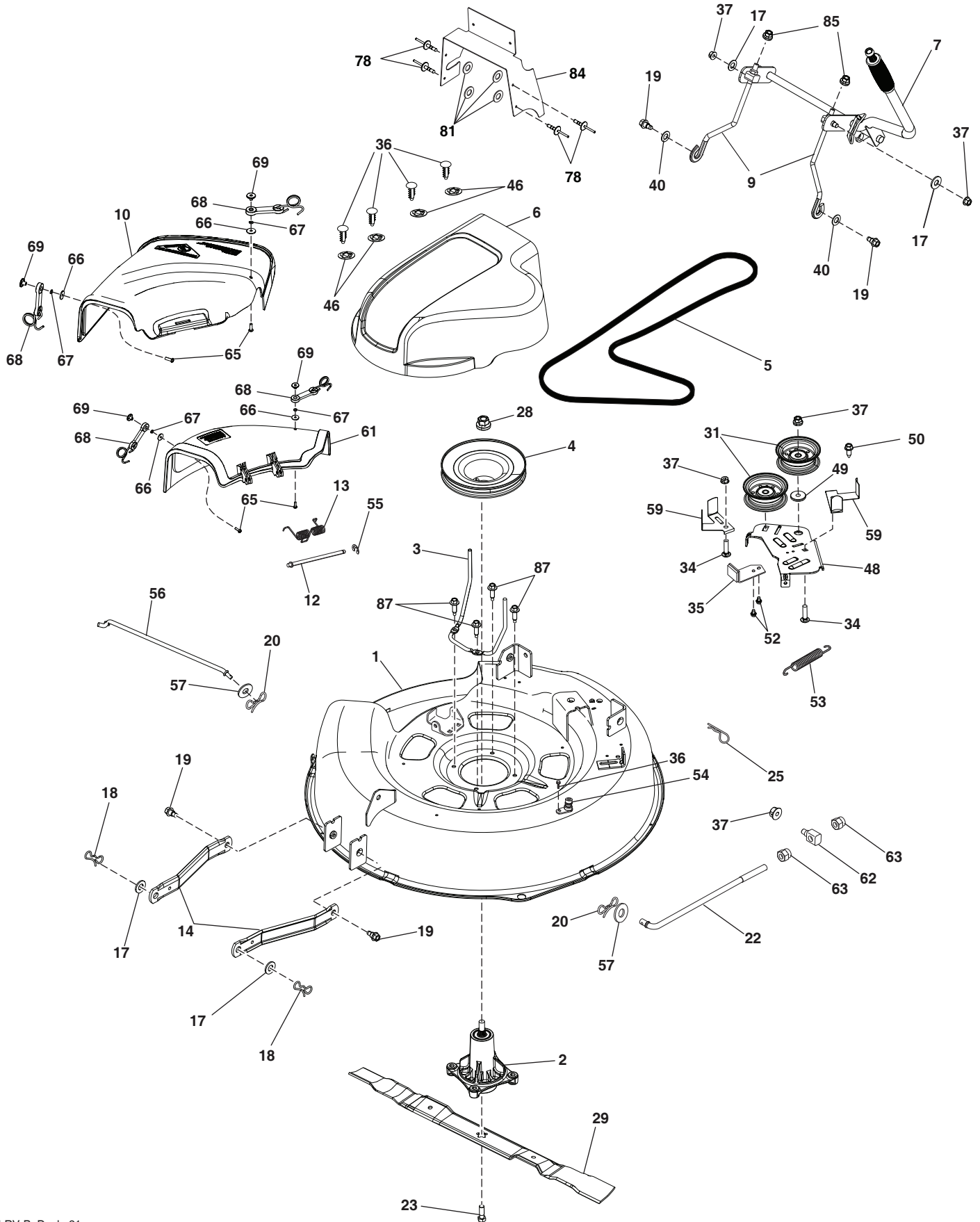


**RIDING MOWER-- MODEL NO. M125-77X (96021003300), PRODUCT NO. 96021 00-33
STEERING ASSEMBLY **41****

KEY PART NO.	PART NO.	DESCRIPTION
1	532 44 20-64	WHEEL TUBE
2	812 00 00-01	E-CLIP
3	532 18 89-67	WASHER, HARDENED
4	532 12 17-49	WASHER, 1/4 X 3/4
5	588 07 84-02	SPINDLE, RH
6	532 12 49-31	WASHER, HARDENED THRUST
7	532 12 49-37	BUSHING, STEERING COLUMN
14	819 11 12-16	WASHER 11/32 X 3/4 16 GA.
16	585 92 06-01	BEARING FLANGED
17	532 43 61-78	SUPPORT, UPPER STEERING
19	817 00 05-12	BOLT, 5/16-18 X 3/4
23	532 43 77-47	ADAPTER, STEERING WHEEL
26	532 42 45-51	WHEEL, STEERING
27	532 42 45-53	CAP, STEERING WHEEL
28	532 19 98-49	CLIP, RETAINER SPRING
29	588 07 85-02	SPINDLE, LH
30	532 19 32-68	CAP, HUB, AXLE
34	587 23 69-02	SHAFT STEERING UPPER
35	532 44 20-66	BOOT LOWER STEERING WHEEL
36	532 44 49-81	SHAFT EXTENSION STEERING SPLINE
37	747 80 51-04	HEX HEAD SCREW 5/16-18 X 6.5
38	539 99 01-87	WASHER LOCK
39	819 11 38-12	WASHER
41	532 43 65-90	FOAM SHAFT STEERING
43	873 54 05-00	CROWNLOCK NUT 5/16-24 UNF
46	587 46 35-01	LINK STEERING FRONT
47	589 02 85-01	SCREW FLG. LOCKING 1/4-20 X .75
48	819 09 12-10	WASHER 9/32 X 3/4 X 1.0
49	588 07 83-02	ARM STEERING UPPER
50	587 59 21-01	SCREW THDROL 5/16-18 X 1.25
51	585 92 01-02	STEERING RACK
52	580 68 36-01	SCREW HEAD SOCKET
53	580 68 37-01	PINION SHAFT STEERING
54	585 92 02-01	SUPPORT BUSHING STEERING
55	585 92 05-01	DRAG LINK RH
57	874 49 05-12	BOLT 5/16-18 X 3/4
58	873 90 05-00	NUT LOCK HEX FLANGE

NOTE: All component dimensions given in U.S. inches
1 inch = 25.4 mm

RIDING MOWER -- MODEL NO. M125-77X (96021003300), PRODUCT NO. 9602100-33
MOWER DECK 44



**RIDING MOWER-- MODEL NO. M125-77X (96021003300), PRODUCT NO. 960 21 00-33
MOWER DECK 44**

KEY NO.	PART NO.	DESCRIPTION
1	584 46 83-02	DECK
2	587 25 33-01	MANDREL ASM
3	584 44 45-02	KEEPER, BELT
4	584 44 44-02	PULLEY, MANDREL
5	584 29 37-01	BELT
6	532 44 50-24	COVER, MANDREL
7	586 58 09-01	LIFT ASM, DECK
9	582 34 27-01	LINK. ASM LIFT ADJUSTABLE
10	532 43 64-55	DEFLECTOR; 30" LRVB
12	532 43 66-47	PIN, HINGE
13	532 43 74-62	SPRING, TORSION
14	587 58 17-02	FRONT DECK LINK
17	819 19 19-12	WASHER
18	532 19 42-09	PIN
19	532 19 65-39	BOLT, SHOULDER
20	532 19 42-08	PIN COTTER 5/16 BOW TIE LOCK
22	584 97 75-03	LINK ASM DECK
23	584 30 93-01	SCREW SEMS 7/16-20 X 1 HEX HEAD
25	532 12 47-88	RETAINER SPRING 1"
28	532 40 02-34	NUT FLANGE LOCK TOP
29	532 41 92-73	BLADE
31	532 19 31-97	PULLEY, IDLER
34	872 11 06-12	BOLT, 3/8-16 X 1 1/2
35	532 19 94-77	ARM, BRAKE
36	532 13 77-29	SCREW THD ROLL 1/4-20 X 5/8
37	873 90 06-00	NUT, 3/8-16 FLANGE
40	819 17 16-16	WASHER, 16 GA.
46	532 42 30-62	pALNUT 1/4
48	586 84 36-01	ARM CLUTCHING
49	532 19 90-92	SPACER RETAINER
50	817 00 06-16	SCREW 3/8-16 X 1
52	817 60 04-06	SCREW 1/4-20 X 3/8
53	585 04 91-01	SPRING RETURN DECK
54	532 41 55-98	PORT WAHSOUT
55	532 43 79-88	E-RING 5/16
56	532 40 48-51	ROD ANTI-SWAY
57	819 13 13-12	WASHER 13/32 X 13/16 X 12 GA
59	532 43 68-58	GUARD TUV IDLER
61	532 43 64-56	COVER MULCH 30 INCH
62	532 17 62-05	TRUNION SUSPENSION ARM
63	532 17 59-94	NUT LIFT LINK 7/16-20
65	871 08 10-10	SCREW PAN HEAD 10-24 x 5/8
66	819 06 12-16	WASHER FLAT #10
67	810 07 10-00	LOCKWASHER
68	532 16 07-93	LATCH SUB ASSEMBLY
69	532 00 20-29	WELDNUT 10-24
78	532 14 08-11	RIVET
81	532 14 08-10	WASHER .194 X .625 X .060
84	584 82 33-02	GUARD MANDREL EXTENSION
85	873 35 06-00	NUT HEX JAM 3/8-16 UNC
87	584 95 39-01	BOLT, HEX, WASHER

NOTE: All component dimensions given in U.S. inches
1 inch = 25.4 mm

