

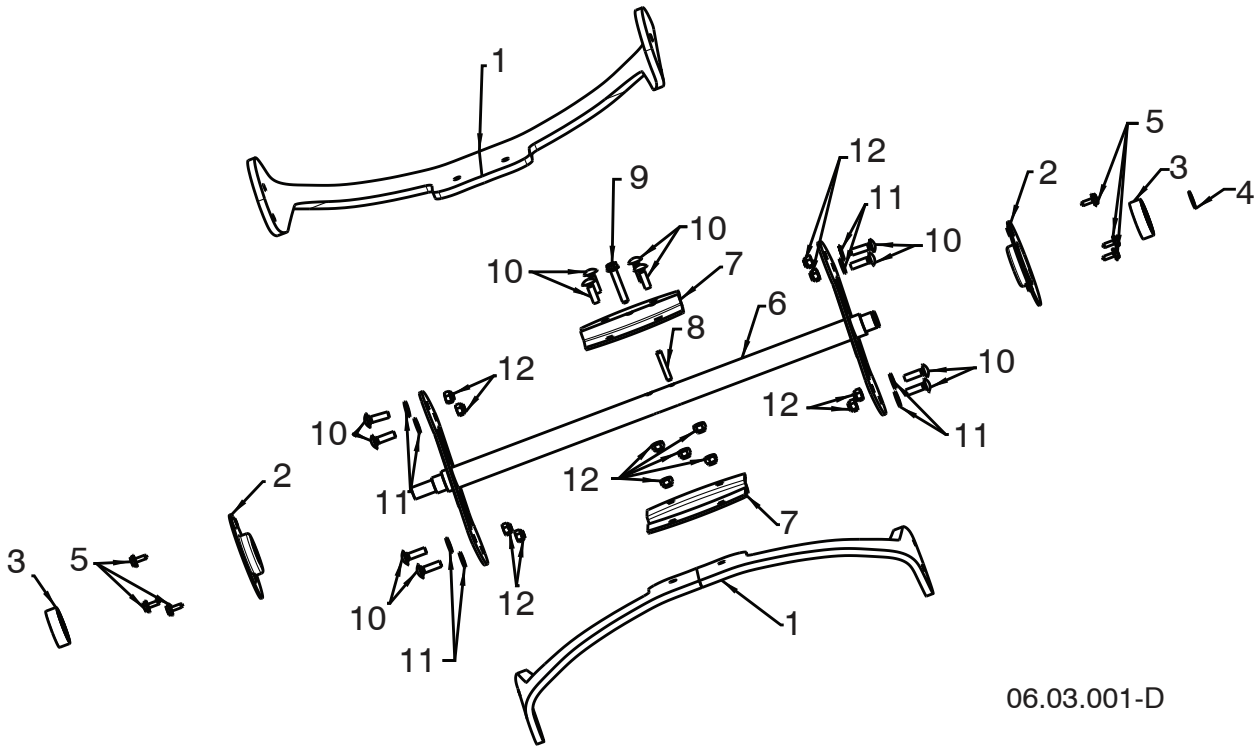
ILLUSTRATED PARTS LIST

MODEL NUMBER ST 53E

PRODUCT NUMBER 961 81 00-11

MFG. ID. NUMBER 96181001101

REPAIR PARTS SNOW THROWER - - MODEL NUMBER ST 53E (96181001101)
AUGER ASSEMBLY



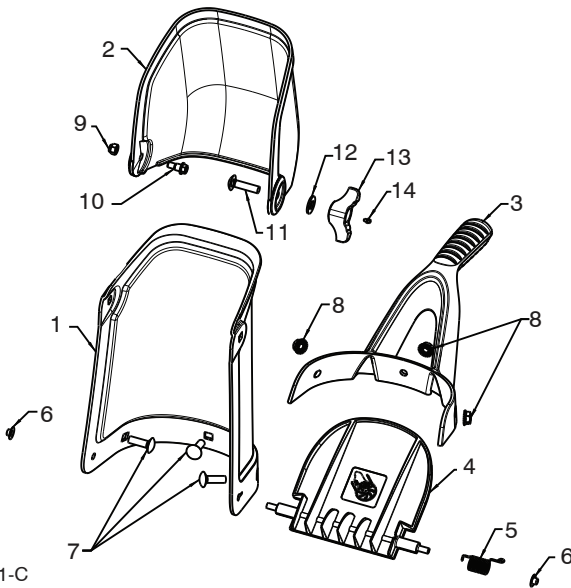
06.03.001-D

| KEY NO. | PART NO. | DESCRIPTION |
|---------|--------------|------------------------------|
| 1 | 532 44 27-59 | BLADE |
| 2 | 580 85 55-01 | BEARING SUPPORT |
| 3 | 532 43 76-22 | BALL BEARING |
| 4 | 812 00 00-28 | RETAINING RING |
| 5 | 817 06 04-08 | 1/4-20 X 3/8 HEX SCREW |
| 6 | 532 43 76-17 | AUGER WELDMENT |
| 7 | 580 85 54-01 | CENTER BLADE PLATE |
| 8 | 532 43 76-20 | ROLL PIN |
| 9 | 532 19 96-87 | SCREW HEX WS HD 1/4-20 X 1.5 |
| 10 | 872 11 04-07 | BOLT CARRIAGE 1/4-20 X 7/8 |
| 11 | 819 09 10-16 | WASHER FLAT 1/4 SAE |
| 12 | 532 13 20-04 | NUT HEX 1/4-20 BZO |

NOTE: All component dimensions given in U.S. inches. 1 inch = 25.4 mm
IMPORTANT: Use only Original Equipment Manufacturer (O.E.M.) replacement parts. Failure to do so could be hazardous, damage your snow thrower and void your warranty.

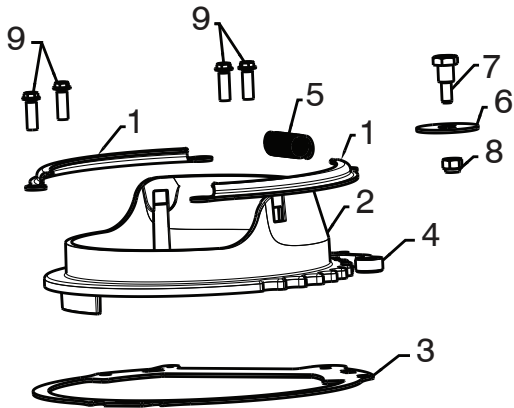
REPAIR PARTS SNOW THROWER - - MODEL NUMBER ST 53E (96181001101)

CHUTE ASSEMBLY



06.05.001-C

| KEY NO. | PART NO. | DESCRIPTION |
|---------|--------------|-----------------------------------|
| 1 | 532 43 76-41 | CHUTE (BLACK) |
| 2 | 532 43 76-43 | DEFLECTOR (BLACK) |
| 3 | 532 43 76-42 | HANDLE (BLACK) |
| 4 | 532 43 76-45 | GUARD (BLACK) |
| 5 | 532 43 66-22 | SPRING |
| 6 | 532 44 22-51 | PUSH NUT |
| 7 | 532 43 73-18 | CARRIAGE BOLT 5/16-18 UNC X 1 |
| 8 | 873 97 05-00 | NUT LOCK HEX W/INS 5/16-18 UNC PL |
| 9 | 532 13 20-04 | NUT HEX 1/4-20 NYLON LOCKING |
| 10 | 532 44 46-82 | SHOULDER BOLT 1/4-20 HEX HEAD |
| 11 | 872 11 05-10 | CARRIAGE BOLT 5/16-18 X 1-1/4 |
| 12 | 819 13 13-16 | WASHER 13/32 X 13/16 X 16 GA |
| 13 | 532 19 19-38 | KNOB TWO WING |
| 14 | 532 07 16-73 | CAP PLUNGER |

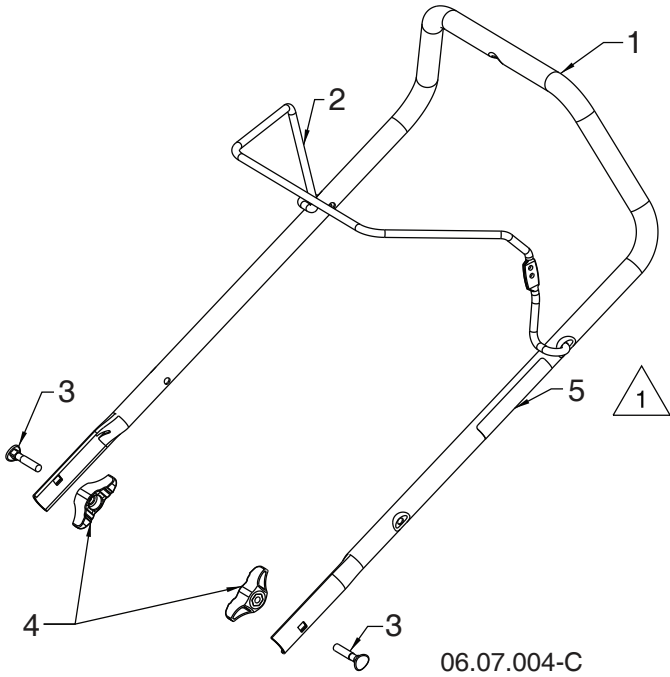


06.04.009-C

| KEY NO. | PART NO. | DESCRIPTION |
|---------|--------------|-----------------------|
| 1 | 580 85 65-01 | CHUTE RETAINER |
| 2 | 587 23 81-01 | CHUTE BASE |
| 3 | 580 85 56-01 | CHUTE BASE PLATE |
| 4 | 532 43 48-78 | RATCHET PAWL |
| 5 | 532 43 48-79 | SPRING |
| 6 | 819 13 24-16 | WASHER (13/32 X 1.25) |
| 7 | 532 08 13-28 | BOLT (1/4-20 X .94) |
| 8 | 532 13 20-04 | NUT (1/4-20 HEX) |
| 9 | 817 41 13-12 | BOLT (13-16 X .75) |

NOTE: All component dimensions given in U.S. inches. 1 inch = 25.4 mm
IMPORTANT: Use only Original Equipment Manufacturer (O.E.M.) replacement parts.
 Failure to do so could be hazardous, damage your snow thrower and void your warranty.

REPAIR PARTS SNOW THROWER - - MODEL NUMBER ST 53E (96181001101) HANDLE ASSEMBLY

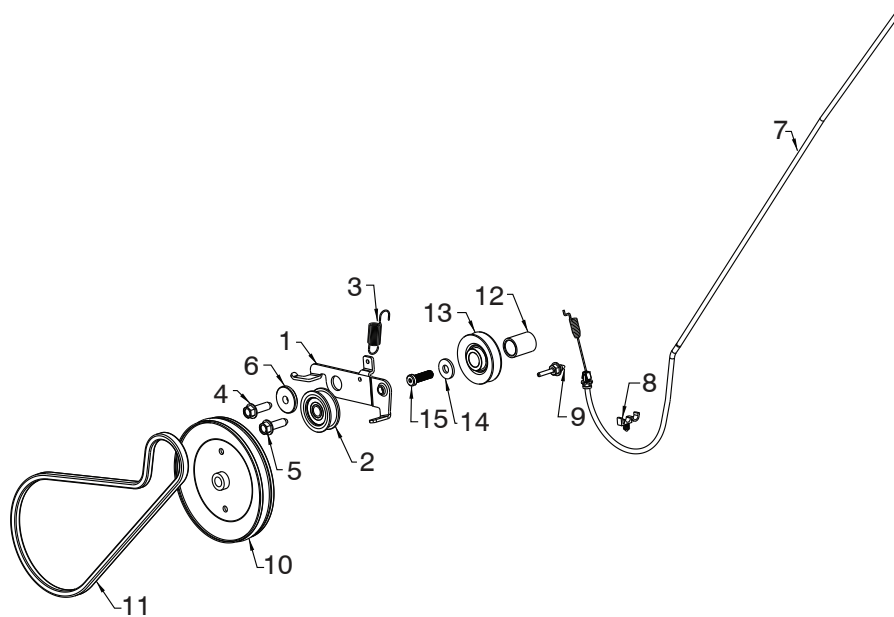


| KEY NO. | PART NO. | DESCRIPTION |
|---------|--------------|------------------------|
| 1 | 580 85 68-01 | HANDLE ERGO SSST SHORT |
| 2 | 532 44 46-46 | BAIL ERGO SSST |
| 3 | 532 19 15-74 | BOLT HANDLE |
| 4 | 532 19 19-38 | KNOB WING |
| 5 | 532 43 75-06 | DECAL AUGER |

NOTE: All component dimensions given in U.S. inches. 1 inch = 25.4 mm
IMPORTANT: Use only Original Equipment Manufacturer (O.E.M.) replacement parts.
 Failure to do so could be hazardous, damage your snow thrower and void your warranty.

REPAIR PARTS SNOW THROWER - - MODEL NUMBER ST 53E (96181001101)

DRIVE ASSEMBLY

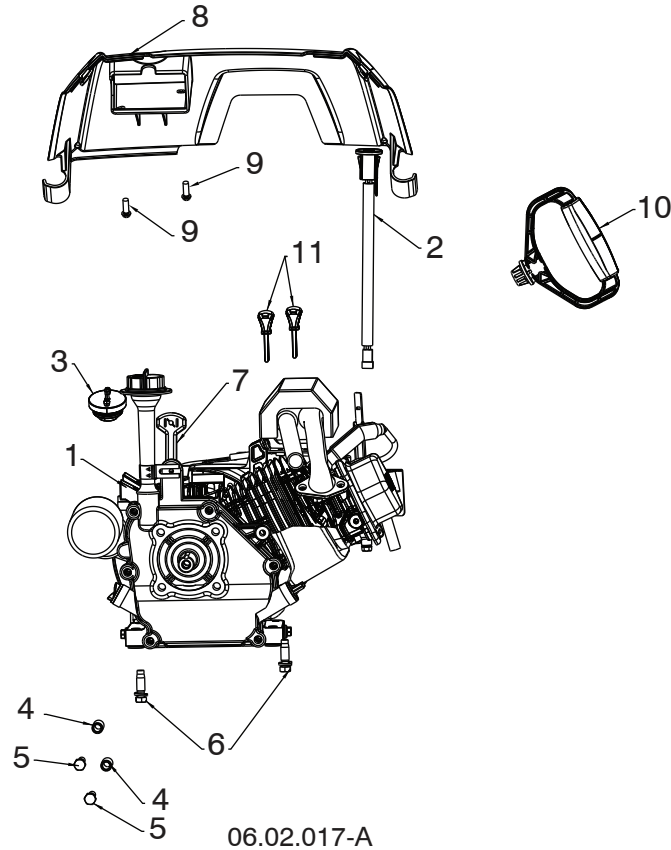


06.01.001-A

| KEY NO. | PART NO. | DESCRIPTION |
|---------|--------------|--|
| 1 | 580 85 53-01 | IDLER ARM |
| 2 | 532 16 60-43 | IDLER PULLEY |
| 3 | 532 43 48-59 | RETURN SPRING |
| 4 | 817 06 06-20 | SCREW 3/8-16 X 1-1/4 (TORQUE 13-18 FT-LBS) |
| 5 | 817 06 06-20 | SCREW 3/8-16 X 1-1/4 (TORQUE 22-27 FT-LBS) |
| 6 | 532 19 90-92 | SPACER |
| 7 | 532 44 30-18 | CLUTCH CABLE ASM |
| 8 | 532 14 50-06 | PUSH CLIP |
| 9 | 532 43 45-02 | BELT KEEPER |
| 10 | 532 43 53-83 | DRIVE PULLEY |
| 11 | 532 43 72-61 | BELT |
| 12 | 532 43 48-60 | ENGINE CRANK SPACER |
| 13 | 532 42 64-90 | ENGINE PULLEY |
| 14 | 532 85 10-74 | WASHER |
| 15 | 532 43 08-17 | SCREW 3/8-24 X 1/25 |

NOTE: All component dimensions given in U.S. inches. 1 inch = 25.4 mm
IMPORTANT: Use only Original Equipment Manufacturer (O.E.M.) replacement parts.
 Failure to do so could be hazardous, damage your snow thrower and void your warranty.

REPAIR PARTS SNOW THROWER - - MODEL NUMBER ST 53E (96181001101) ENGINE ASSEMBLY

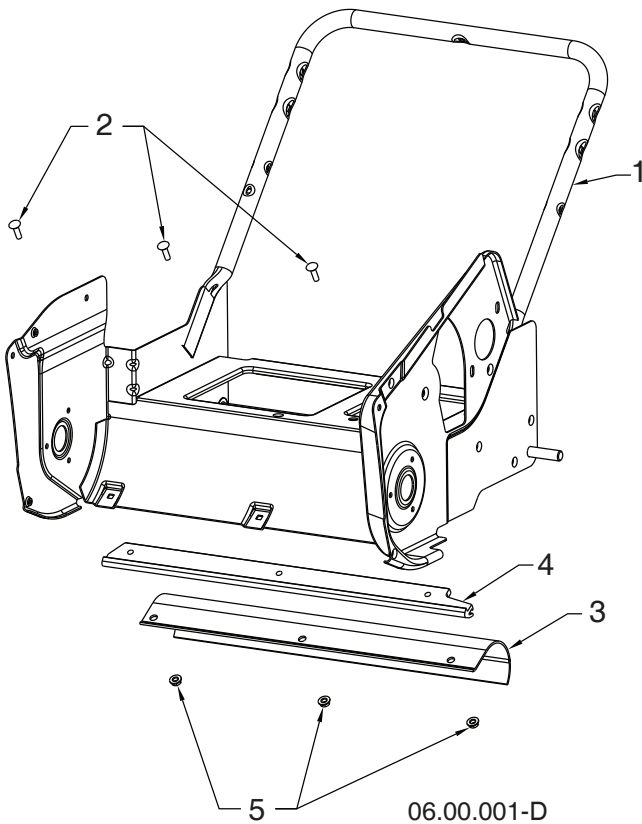


| KEY NO. | PART NO. | DESCRIPTION |
|---------|--------------|----------------------------------|
| 1 | 585 74 26-06 | ENGINE LCT 179CC ES PW3HK180018Y |
| 2 | 580 85 02-01 | KEY SWITCH |
| 3 | 532 43 62-35 | PRIMER BULB |
| 4 | 532 43 48-57 | ENGINE SPACER |
| 5 | 532 43 55-78 | SCREW 5/16-24 X 2.00 HHCS |
| 6 | 532 15 04-06 | ENGINE BOLT 3/8-16 DOGPOINT |
| 7 | 532 43 48-74 | CHOKE LEVER |
| 8 | 532 43 76-58 | LOWER REAR COVER |
| 9 | 817 41 13-12 | SCREW HEX WSHHD #13 X .750 |
| 10 | 532 43 62-76 | HANDLE RECOIL |
| 11 | 532 44 30-59 | KEY SET (QTY: 2) |

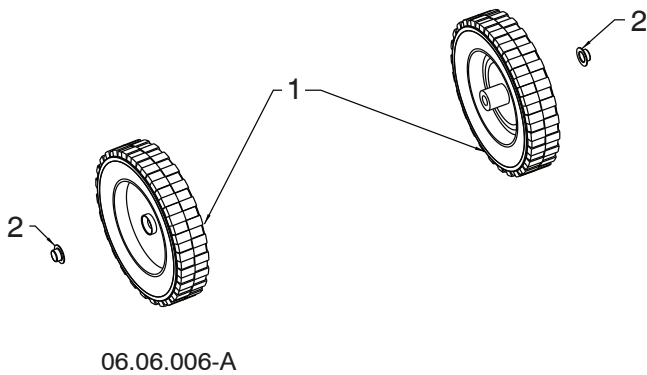
NOTE: All component dimensions given in U.S. inches. 1 inch = 25.4 mm
IMPORTANT: Use only Original Equipment Manufacturer (O.E.M.) replacement parts.
 Failure to do so could be hazardous, damage your snow thrower and void your warranty.

REPAIR PARTS SNOW THROWER - - MODEL NUMBER ST 53E (96181001101)

FRAME ASSEMBLY



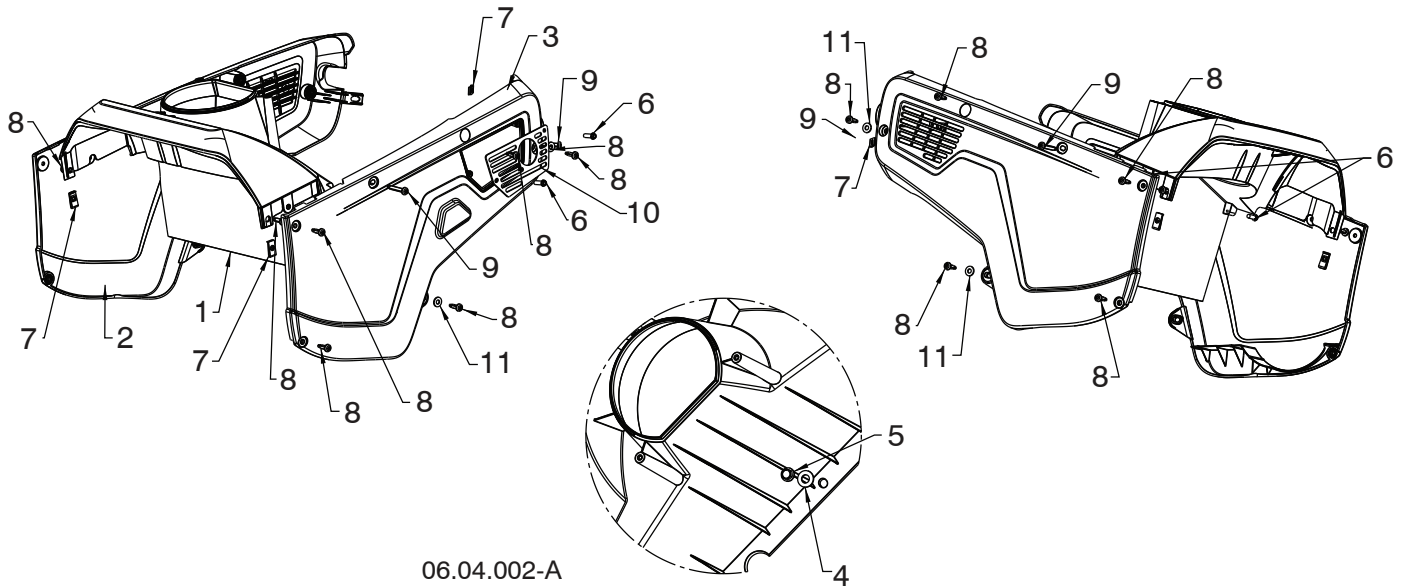
| KEY NO. | PART NO. | DESCRIPTION |
|---------|--------------|--------------------------------|
| 1 | 501 15 48-01 | FRAME WELDMENT |
| 2 | 872 11 04-07 | BOLT CARRIAGE 1/4-20 X 7/8 |
| 3 | 532 44 21-46 | SCRAPER SKIRT |
| 4 | 580 50 26-01 | BAR SCRAPER UHMW |
| 5 | 532 19 17-30 | NUT HEX FLANGE 1/4-20 CTR LOCK |



| KEY NO. | PART NO. | DESCRIPTION |
|---------|--------------|-------------|
| 1 | 532 43 76-62 | WHEEL 8" |
| 2 | 532 43 54-17 | PUSH NUT |

NOTE: All component dimensions given in U.S. inches. 1 inch = 25.4 mm
IMPORTANT: Use only Original Equipment Manufacturer (O.E.M.) replacement parts. Failure to do so could be hazardous, damage your snow thrower and void your warranty.

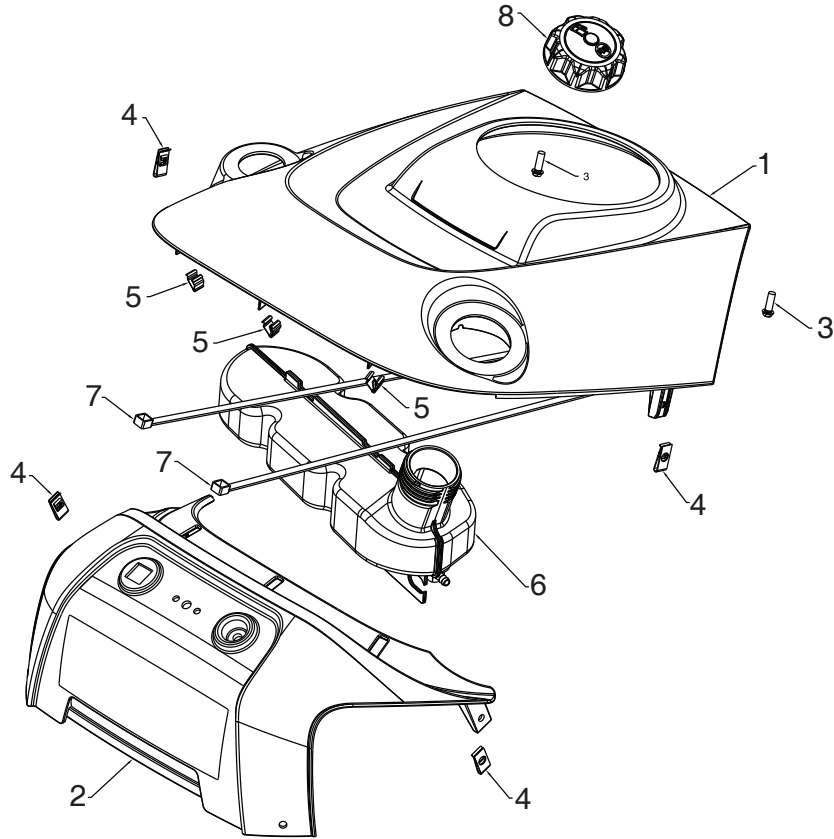
REPAIR PARTS SNOW THROWER - - MODEL NUMBER ST 53E (96181001101) SHROUD ASSEMBLY



| KEY NO. | PART NO. | DESCRIPTION |
|---------|--------------|-------------------------|
| 1 | 532 44 33-96 | PLENUM |
| 2 | 532 44 33-97 | NON - DRIVE COVER |
| 3 | 532 44 33-98 | DRIVE COVER SIDE |
| 4 | 819 13 13-16 | WASHER 13/32 X 13/16 GA |
| 5 | 532 42 88-67 | BOLT 5/16-18 X .75 |
| 6 | 817 41 13-12 | BOLT 13-16 X .75 |
| 7 | 532 19 66-88 | THREADED CLIP |
| 8 | 532 44 22-50 | SCREW 1/4-20 X .75 |
| 9 | 532 44 42-62 | SCREW 1/4-20 X 1.5 |
| 10 | 580 83 35-01 | EXHAUST PLATE |
| 11 | 819 09 10-16 | WASHER FLAT 1/4 SAE |

NOTE: All component dimensions given in U.S. inches. 1 inch = 25.4 mm
IMPORTANT: Use only Original Equipment Manufacturer (O.E.M.) replacement parts.
 Failure to do so could be hazardous, damage your snow thrower and void your warranty.

REPAIR PARTS SNOW THROWER - - MODEL NUMBER ST 53E (96181001101) SHROUD ASSEMBLY



06.04.011-F

| KEY NO. | PART NO. | DESCRIPTION |
|---------|--------------|--------------------|
| 1 | 532 44 33-99 | TOP COVER |
| 2 | 588 75 39-01 | REAR UPPER COVER |
| 3 | 817 41 13-12 | BOLT 13-16 X .75 |
| 4 | 532 19 66-88 | THREADED CLIP |
| 5 | 532 43 48-68 | TRIM CLIP |
| 6 | 580 98 26-01 | FUEL TANK ASSEMBLY |
| 7 | 532 14 68-48 | CABLE TIE |
| 8 | 581 07 55-01 | FUEL CAP/GASKET |

NOTE: All component dimensions given in U.S. inches. 1 inch = 25.4 mm
IMPORTANT: Use only Original Equipment Manufacturer (O.E.M.) replacement parts.
 Failure to do so could be hazardous, damage your snow thrower and void your warranty.

REPAIR PARTS SNOW THROWER - - MODEL NUMBER ST 53E (96181001101) ENGINE, LCT COMPLETE ENGINE-585742606

136/179/208cc Single-Stage Snow Engines

9999 Options

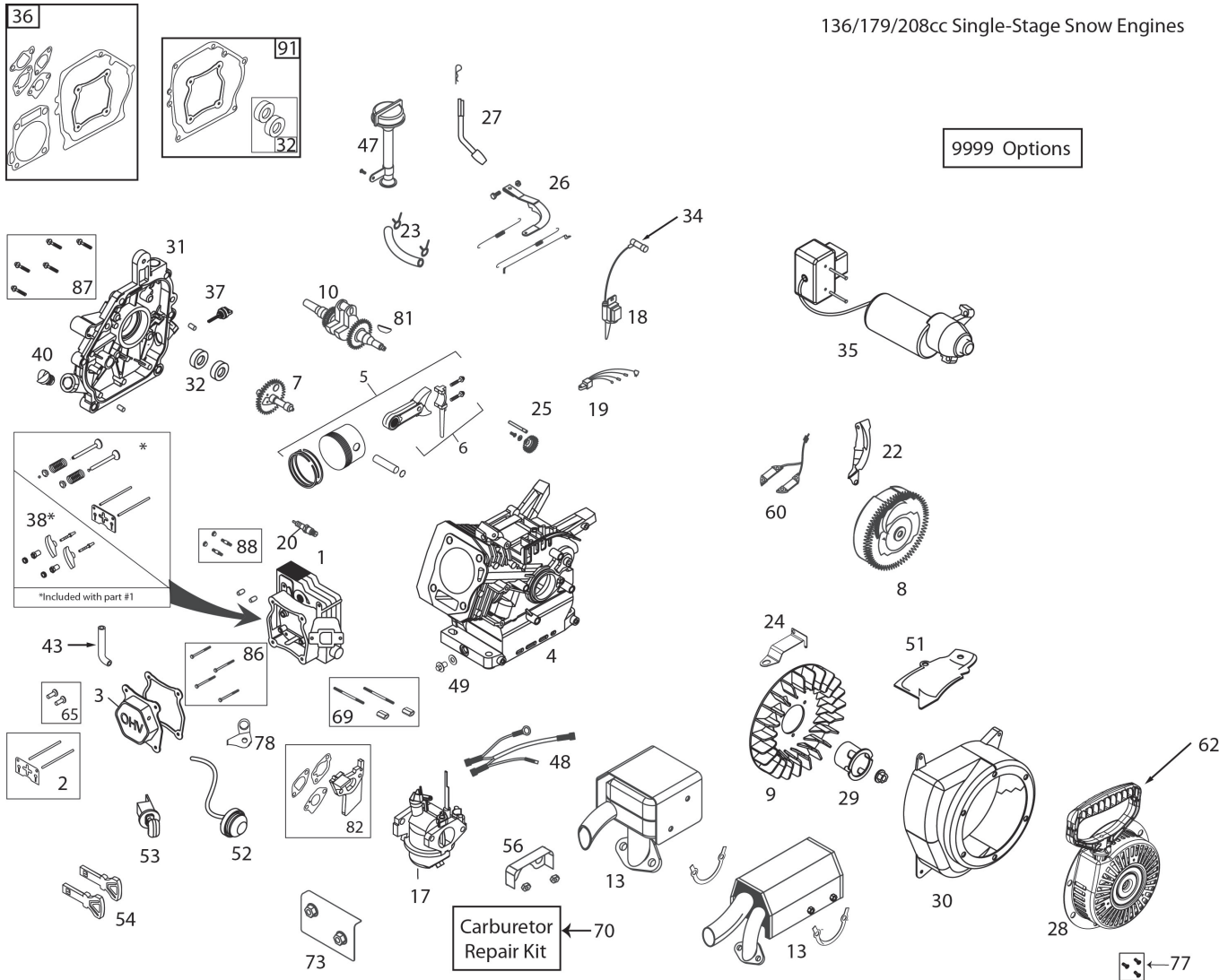


ILLUSTRATION FOR REFERENCE PURPOSES ONLY

| KEY PART NO. | NO. | DESCRIPTION | KEY PART NO. | NO. | DESCRIPTION |
|--------------|--------------|--|--------------|--------------|--|
| 1 | 587 17 57-01 | CYLINDER HEAD ASSEMBLY - 179CC (INCL. GASKET) | 8 | 532 42 92-35 | FLYWHEEL - ELECTRIC START (179/208CC) |
| 2 | 532 42 05-79 | PUSH ROD & PLATE KIT (179/208CC)(INCL. VALVE COVER GSKT) | 9 | 532 42 05-86 | COOLLNG FAN - FLYWHEEL (PLASTIC - 136/179/208CC) |
| 3 | 532 42 05-80 | VALVE COVER (179/208CC) (INCL. GASKET) | 10 | 587 17 61-01 | CRANKSHAFT (#18 KEYED 136/179/208CC SNOW) |
| 4 | N/A | N/A | 13 | 532 44 42-77 | MUFFLER ASSEMBLY(SINGLE STAGE)-SNOW |
| 5 | 587 17 71-01 | PISTON & ROD ASSEMBLY (179CC) | 17 | 587 82 12-01 | CARBURETOR-179CC-SINGLE STAGE SNOW |
| 6 | N/A | N/A | 18 | 580 94 13-01 | IGNITION COIL (CDI)(WITH 2-WIRE PLUG CONNECTOR) |
| 7 | 587 17 72-01 | CAMSHAFT - MCR (179CC) | | | |

NOTE: All component dimensions given in U.S. inches. 1 inch = 25.4 mm
IMPORTANT: Use only Original Equipment Manufacturer (O.E.M.) replacement parts. Failure to do so could be hazardous, damage your snow thrower and void your warranty.

REPAIR PARTS SNOW THROWER - - MODEL NUMBER ST 53E (96181001101) ENGINE, LCT COMPLETE ENGINE-585742606

| KEY PART NO. | KEY PART NO. | DESCRIPTION | KEY PART NO. | KEY PART NO. | DESCRIPTION |
|--------------|--------------|---|--------------|--------------|---|
| 19 | N/A | N/A | 47 | 587 17 80-01 | HIGH OIL-FILL TUBE/DIPSTICK (THREADED) |
| 20 | 532 42 49-39 | SPARK PLUG | 48 | 580 94 14-01 | WIRE HARNESS(SS W/2-PLUG CONNECTOR) |
| 22 | 585 77 24-01 | SHIELD - FLYWHEEL - MANUAL START - SNOW | 49 | 532 43 54-95 | OIL DRAIN PLUG W/WASHER (136/179/208/254CC) |
| 23 | 532 43 80-14 | FUEL HOSE KIT - SINGLE STAGE SNOW (318MM) | 51 | 532 43 71-19 | SHIELD - CYLLNDER (179/208CC SNOW) |
| 24 | 532 42 92-59 | SPEED CONTROL BRACKET (FIXED) | 52 | 532 43 71-23 | PRIMER BULB W/HOSE KIT (SINGLE STAGE)SNOW |
| 25 | 532 42 96-46 | GOVERNOR GEAR ASSEMBLY (136/179/208CC) | 53 | 532 42 49-54 | SAFETY KEY SWITCH -SNOW (INCL. KEYS) |
| 26 | 581 76 87-01 | GOVERNOR ARM & LINK KIT (208CC SNOW - 3600 FIXED RPM) | 54 | 532 44 30-59 | KEY SET - RED (2) (SNOW) |
| 27 | 532 42 06-02 | GOVERNOR ARM PADDLE | 56 | 532 42 92-60 | CARBURETOR VAPOR SHIELD - 179/208CC SNOW |
| 28 | 585 77 12-01 | RECOIL STARTER (BLACK SNOW) (SINGLE-STAGE 78-INCH ROPE)(ORDER DECAL KIT SEPERATE) | 60 | N/A | N/A |
| 29 | 532 43 69-68 | STARTER CUP (USE WITH ROUND STYLE STARTER) (179/208CC SNOW) | 62 | 532 42 49-68 | STARTER GRIP-SNOW |
| 30 | 581 19 20-01 | BLOWER HOUSING - BLACK ELECTRIC START W/ INTEGRATED BAFFLE (179-208CC SNOW) | 65 | 581 37 28-01 | TAPPET KIT (179/208/254CC) (SET OF 2) |
| 31 | 581 00 73-01 | CRANKCASE COVER ASSY-HOFT (THREADED) (INCL. GASKET) | 69 | 532 42 49-51 | CARBURETOR STUDS & COUPLING KIT-SNOW |
| 32 | 532 42 95-99 | OIL SEAL KIT (2 PCS FOR 3/4-INCH CRANKSHAFT) | 70 | 580 35 36-01 | CARBURETOR REPAIR KIT (136/179/208/254CC) |
| 34 | 532 43 69-66 | SPARK PLUG BOOT - WITH METAL SHIELD (SNOW) | 73 | N/A | N/A |
| 35 | 532 43 71-25 | 230V ELECTRIC STARTER (208CC SS SNOW) | 77 | 532 43 26-88 | RECOIL BOLT KIT (INCL. (3) MTG BOLTS) |
| 36 | 587 17 67-01 | ENGINE GASKET KIT (179CC) | 78 | 581 45 93-01 | BREATHER TUBE BRACKET |
| 37 | 532 42 09-61 | SMALL BLACK OIL DIPSTICK (PLASTIC) | 81 | 585 29 72-01 | WOODRUFF FLYWHEEL KEYS (5-PACK) (5X6X18MM)(208/414CC) |
| 38 | 532 42 96-91 | ROCKER ARM KIT (179CC)(INCL. GASKET) | 82 | 585 02 05-03 | CARBURETOR SPACER (179/208/254CC) |
| 40 | 532 42 95-98 | NON-REMOVABLE PLASTIC PLUG (136/179/208/254CC) | 86 | 586 32 73-01 | CYLINDER HEAD BOLT KIT (4) (136-179-208-254CC) |
| 43 | 580 35 34-01 | BREATHER TUBE (136/179/208/254CC) | 87 | 586 32 69-01 | CC COVER BOLT KIT (6) (179-208-254CC) |
| | | | 88 | 586 32 68-01 | MUFFLER MTG STUD KIT (2) |
| | | | 91 | 587 52 57-01 | CRANKCASE GASKET KIT. REQUIRED WHEN REPLACING CRANKSHAFT AND CAMSHAFT |
| | | | 9999 | 586 32 62-01 | HIGH ALTITUDE JET (>5,000 FEET)(179/208CC L17-3 CARBURETOR) |

NOTE: All component dimensions given in U.S. inches. 1 inch = 25.4 mm
IMPORTANT: Use only Original Equipment Manufacturer (O.E.M.) replacement parts. Failure to do so could be hazardous, damage your snow thrower and void your warranty.

