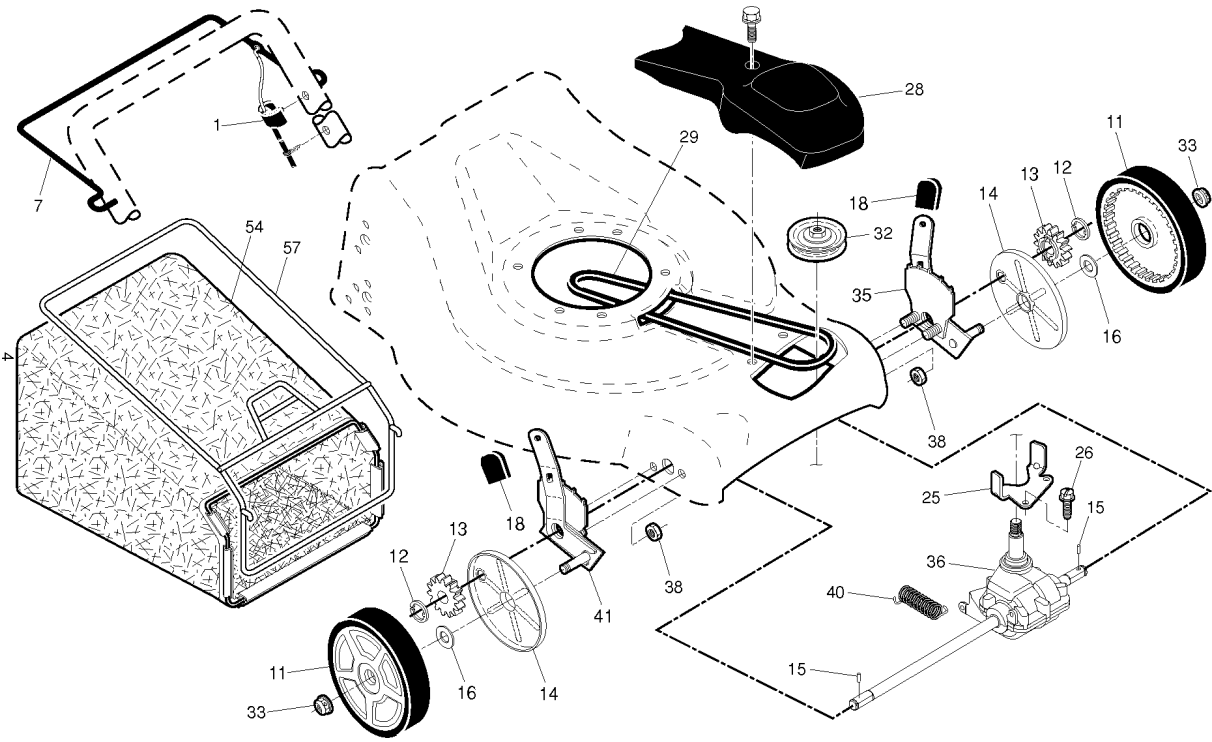




# SPARE PARTS LIST

LAWN MOWERS: CONSUMER  
WALK-BEHINDS

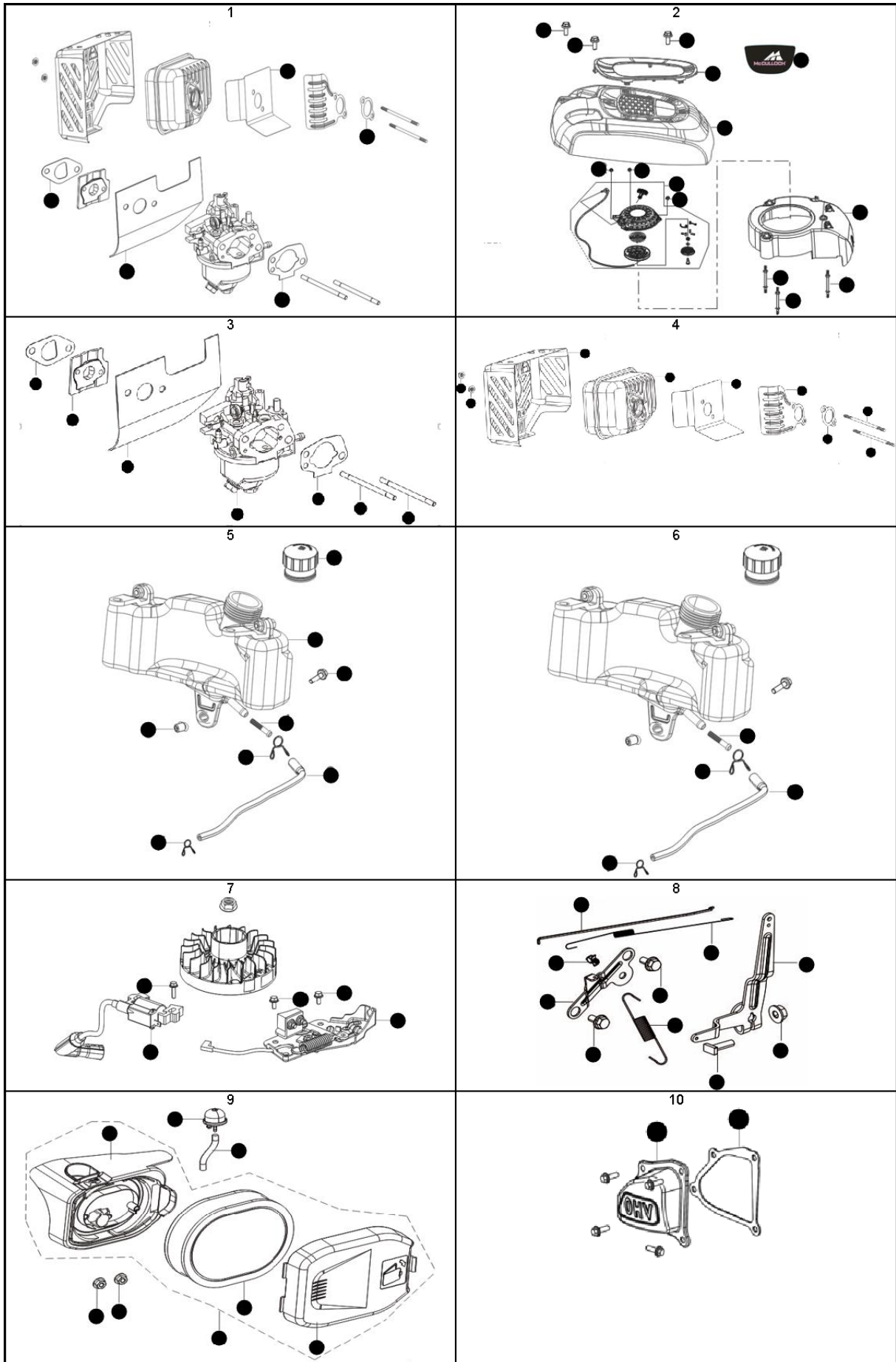
M51-150WF, 96141031100, 2015-12



## DRIVE

M51-150WF, 96141031100, 2015-12

Ref	Part No	Description	Remark	QTY	KIT
1	588 47 92-02	CABLE		1	
7	532 19 84-53	CONTROL BAR, DRIVE		1	
11	581 00 92-05	WHEEL ASSY		1	
12	812 00 00-58	E-CLIP		1	
13	532 40 38-49	PINION		1	
14	581 84 04-01	DUST COVER		1	
15	532 40 48-45	PAWL, DRIVE		1	
16	532 06 77-25	WASHER		1	
18	532 08 78-77	KNOB		1	
25	532 43 17-11	BRACKET		1	
26	532 16 34-09	SCREW		1	
28	532 43 26-63	COVER		1	
29	532 19 41-49	BELT.DRIVE.FG		1	
32	586 98 97-01	PULLEY		1	
33	532 40 91-48	NUT		1	
35	532 43 81-51	ADJUSTER	LH	1	18
36	532 40 48-33	GEARCASE ASSEMBLY, COMPLETE		1	
38	873 80 04-00	NUT		1	
40	532 40 65-58	SPRING		1	
41	532 43 81-48	ADJUSTER	RH	1	18
54	580 95 34-04	GRASS BAG ASSY		1	
57	532 41 19-50	FRAME		1	



## ENGINE

M51-150WF, 96141031100, 2015-12

Ref	Part No	Description	Remark	QTY KIT
1	579 82 90-02	GASKET KIT		1
2	579 82 90-03	SHROUD KIT		1
3	579 82 90-04	CARBURETTOR KIT		1
4	579 82 90-05	MUFFLER KIT		1
5	579 82 90-06	FUEL TANK KIT		1
6	579 82 90-07	FUEL FILTER KIT		1
7	579 82 90-08	IGNITION KIT		1
8	579 82 90-09	GOVERNOR KIT		1
9	579 82 90-10	AIR INTAKE KIT		1
10	579 82 90-11	CYLINDER HEAD KIT		1
-	579 82 90-12	DIPSTICK		1
-	579 82 90-13	AIR FILTER		1
-	579 82 02-14	FUEL CAP		1



## FRAME

M51-150WF, 96141031100, 2015-12

Ref	Part No	Description	Remark	QTY	KIT
1	532 42 77-38	HANDLE		1	
2	532 43 45-14	HANDLE		1	
3	581 80 20-01	BAIL		1	
4	532 42 09-39	STOP CABLE		1	
5	532 19 15-74	HANDLE BOLT		1	
6	532 19 19-38	KNOB		1	
7	532 05 17-93	PIN RETAINING SCREW		1	
9	532 40 69-85	DEFLECTOR		1	
10	532 12 84-15	RIVET		1	
11	532 41 05-40	BRACKET	LH	1	
12	532 41 05-42	BRACKET	RH	1	
13	817 06 04-10	SCREW		1	
14	532 43 45-13	BRACKET	LH	1	
15	532 43 45-12	BRACKET	RH	1	
16	532 40 54-17	SPRING	LH	1	
17	532 40 54-18	SPRING	RH	1	
18	581 91 26-01	KNOB		1	
19	581 90 21-01	GUIDE		1	
20	532 43 61-19	GUARD		1	
21	817 49 04-16	SCREW		1	
24	588 84 35-06	ENGINE	RATO RV150 10100- Z180310	1	
25	532 15 04-06	BOLT		1	
26	532 40 91-49	NUT		1	
27	581 01 03-05	WHEEL ASSY		1	
28	532 40 16-38	BOLT		1	
30	532 41 31-41	ARM SUPPORT		1	
31	532 08 78-77	KNOB		1	
32	532 40 98-89	SELECTOR SPRING		1	
33	873 80 05-00	LOCK NUT		1	
34	532 40 16-30	WASHER		1	
36	532 18 41-93	BOLT		1	
37	874 78 05-12	SCREW		1	
38	532 40 16-29	SPACER		1	
39	532 15 53-77	NUT		1	
40	532 43 50-59	BRACKET		1	
44	532 40 92-65	CHASSIS		1	"10,11,1 2,45"
45	532 18 21-66	DECAL		1	
46	581 36 71-01	ADAPTER		1	
47	532 19 93-77	MOWER BLADE		1	
48	532 85 10-74	WASHER		1	
49	532 85 02-63	WASHER		1	
50	532 85 10-84	SCREW		1	
57	532 43 00-34	BRACKET		1	
58	532 17 88-48	SCREW		1	
59	532 17 50-71	CLIPPING DEFLECTOR		1	
60	532 17 57-35	HINGE		1	
61	532 19 30-00	HINGE		1	
62	532 17 56-50	ROD		1	
63	873 80 04-00	NUT		1	
64	532 17 50-66	PLUG		1	
65	532 19 74-80	O-RING		1	
66	532 08 83-48	WASHER		1	
96	532 19 79-91	CLIP		1	
98	586 21 25-01	BOLT		1	
102	532 42 81-24	FASTENER		1	
	532 18 21-91	LABEL WARNING	NOT SHOWN-OPTIONAL	1	
	581 00 67-01	BAG	BAG OF PARTS (INCLUDES KEY NUMBERS 6 & 98)	1	