

**ILLUSTRATED PARTS LIST**

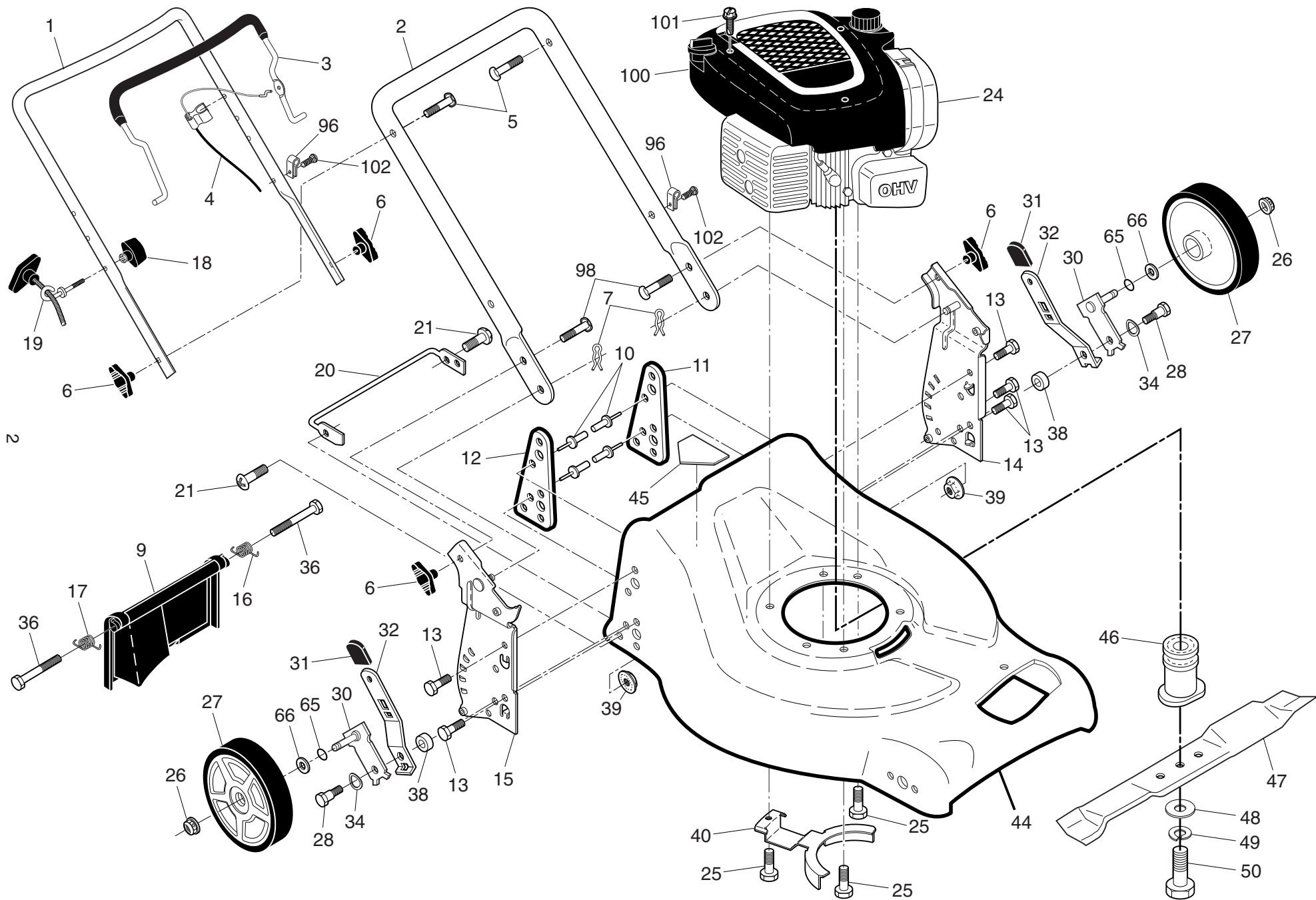
**BRAND: M<sup>c</sup>CULLOCH**

**ROTARY LAWN MOWER**

**MODEL NUMBER M51-140F**

**MFG. ID. NUMBER 96141027104**

# McCULLOCH ROTARY LAWN MOWER - MODEL NUMBER M51-140F (MFG. ID. NUMBER 96141027104)

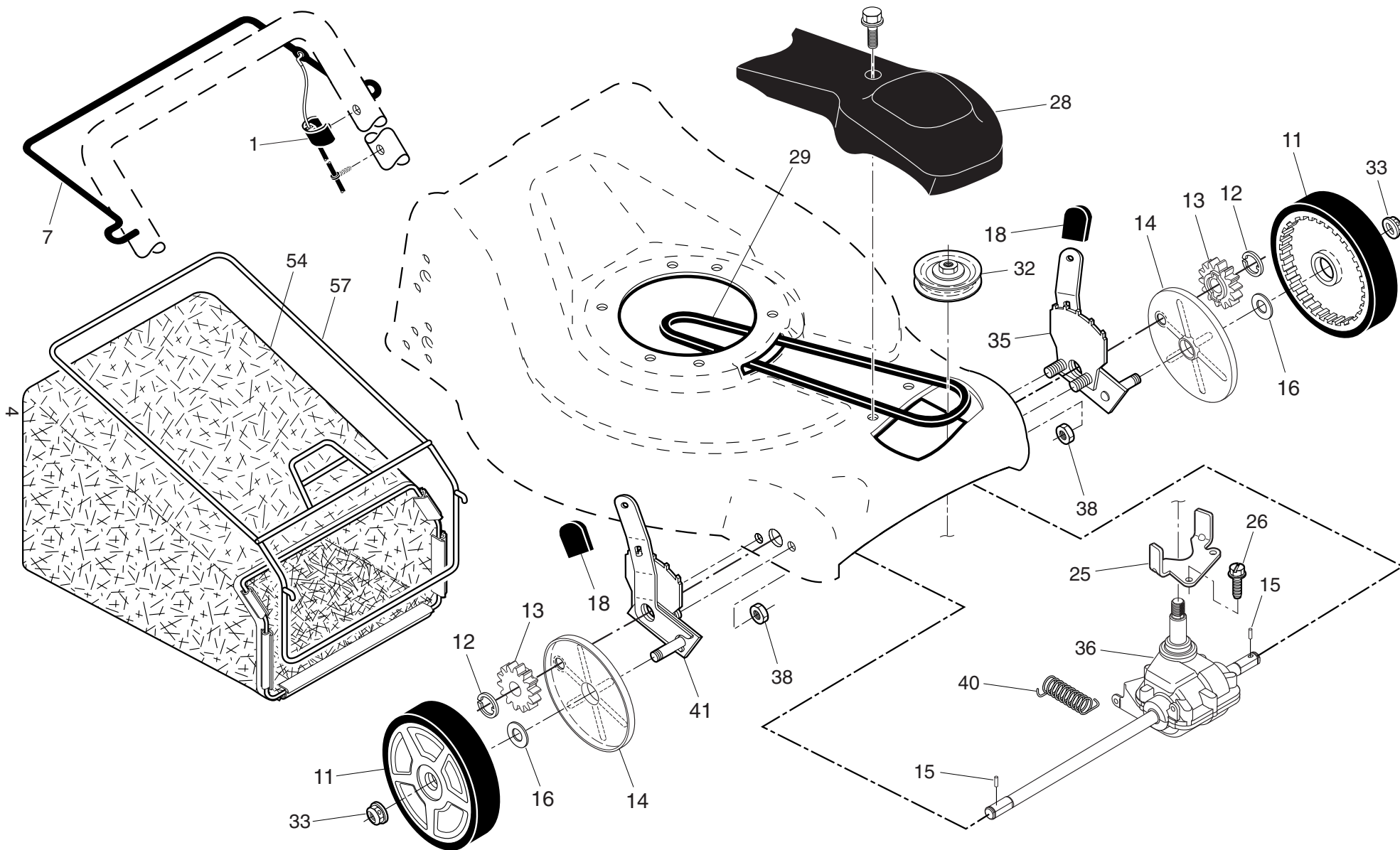


# McCULLOCH ROTARY LAWN MOWER - MODEL NUMBER M51-140F (MFG. ID. NUMBER 96141027104)

KEY NO.	PART NO.	DESCRIPTION	KEY NO.	PART NO.	DESCRIPTION
1	580 63 87-02	Upper Handle	32	532 41 08-88	Selector Spring
2	532 43 45-14	Lower Handle	34	532 40 16-30	Washer, Curved, Cylindrical
3	<b>587 68 93-03</b>	Control Bar, Overmolded	36	532 18 41-93	Bolt
4	<b>532 42 09-39</b>	Engine Zone Control Cable	38	532 40 16-29	Spacer
5	532 19 15-74	Handle Bolt	39	532 15 53-77	Nut, Hex, Flanged 5/16-18
6	532 19 19-38	Handle Knob	40	532 43 50-59	Belt Keeper
7	532 05 17-93	Hairpin Cotter	44	532 40 93-64	Kit, Lawn Mower Housing (Includes Key Numbers 10, 11, 12 and 45)
9	532 40 69-85	Rear Door	45	532 18 21-66	Danger Decal
10	532 12 84-15	Pop Rivet	46	581 36 71-01	Blade Adapter / Pulley
11	<b>532 40 65-73</b>	Support Bracket, LH	47	532 19 93-77	Blade, 21"
12	<b>532 40 65-74</b>	Support Bracket, RH	48	532 85 10-74	Hardened Washer
13	817 06 04-10	Screw 1/4-20 x 5/8	49	532 85 02-63	Helical Washer 3/8-24 x 1-3/8 Grade 8
14	532 43 45-63	Handle Bracket Assembly, LH	50	532 85 10-84	Hex Head Machine Screw 3/8-24 x 1-3/8 Grade 8
15	532 43 45-62	Handle Bracket Assembly, RH	65	532 19 74-80	O-Ring
16	532 40 54-17	Spring, Rear Door, LH	66	532 08 83-48	Washer, Flat
17	532 40 54-18	Spring, Rear Door, RH	96	532 19 79-91	Clip, Cable
18	581 91 26-01	T-Knob	98	586 21 25-01	Bolt, Carriage
19	581 90 21-01	Rope Guide	100	580 44 56-01	Shroud, Engine
20	532 43 61-19	Foot Guard, C.E.	101	532 18 16-98	Screw, Mounting, Engine Shroud
21	817 49 04-16	Screw, Tapping 1/4-20 x 1/2	102	532 42 81-24	Fastener, Push
24	- - -	Engine, Briggs & Stratton, Model Number 9P602-0062-H1 (order parts from Briggs & Stratton)	--	581 00 67-01	Bag of Parts (Includes Key Numbers 6 and 98)
25	532 15 04-06	Hex Head Thread Rolling Screw 3/8-16 x 1-1/8	--	532 18 21-91	Decal, Warning (not shown)
26	532 40 91-48	Hex Flange Nut	--	115 62 86-20	Operator's Manual, European
27	581 00 94-05	Wheel & Tire Assembly, Rear, 8"	--	115 62 86-10	Operator's Manual, Scandinavian
28	532 40 16-38	Shoulder Bolt 5/16-18 x .33	--	115 62 86-50	Operator's Manual, East Bloc
30	532 41 21-74	Axle Arm Assembly, Rear	--	115 62 86-40	Operator's Manual, Baltic
31	532 08 78-77	Selector Knob	--	<b>115 80 53-53</b>	Operator's Manual, Ukrainian

**NOTE:** All component dimensions given in U.S. inches. 1 inch = 25.4 mm. **IMPORTANT:** Use only Original Equipment Manufacturer (O.E.M.) replacement parts. Failure to do so could be hazardous, damage your lawn mower and void your warranty.

# McCULLOCH ROTARY LAWN MOWER - MODEL NUMBER M51-140F (MFG. ID. NUMBER 96141027104)



# McCULLOCH ROTARY LAWN MOWER - MODEL NUMBER M51-140F (MFG. ID. NUMBER 96141027104)

KEY NO.	PART NO.	DESCRIPTION
1	585 04 07-02	Drive Control Assembly (Includes Cable)
7	585 12 31-02	Control Bar, Drive
11	581 00 92-05	Wheel & Tire Assembly, Front (Driven)
12	812 00 00-58	E-Ring
13	532 40 38-49	Pinion Assembly
14	581 84 04-01	Dust Cover
15	532 40 48-45	Pawl, Drive
16	532 06 77-25	Washer 1/2 x 1-1/2 x .134
18	532 08 78-77	Selector Knob
25	532 43 17-11	Belt Keeper
26	532 16 34-09	Screw, Hi-Lo Thread #12 x 5/8
28	532 43 26-65	Drive Cover Assembly (Includes Mounting Screw and Pushnut)

KEY NO.	PART NO.	DESCRIPTION
29	532 19 41-49	V-Belt
32	<b>586 98 97-01</b>	Drive Pulley
33	532 40 91-48	Locknut, Hex
35	532 43 84-85	Kit, Wheel Adjuster, LH (Includes Knob and Bearing)
36	532 40 48-33	Gearcase Assembly, Complete
38	873 80 04-00	Locknut, Hex 1/4-20
40	532 40 65-58	Spring
41	532 43 84-86	Kit, Wheel Adjuster, RH (Includes Knob and Bearing)
54	580 95 34-04	Grassbag
57	532 41 19-50	Frame, Grassbag

**NOTE:** All component dimensions given in U.S. inches. 1 inch = 25.4 mm. **IMPORTANT:** Use only Original Equipment Manufacturer (O.E.M.) replacement parts. Failure to do so could be hazardous, damage your lawn mower and void your warranty.