

ILLUSTRATED PARTS LIST

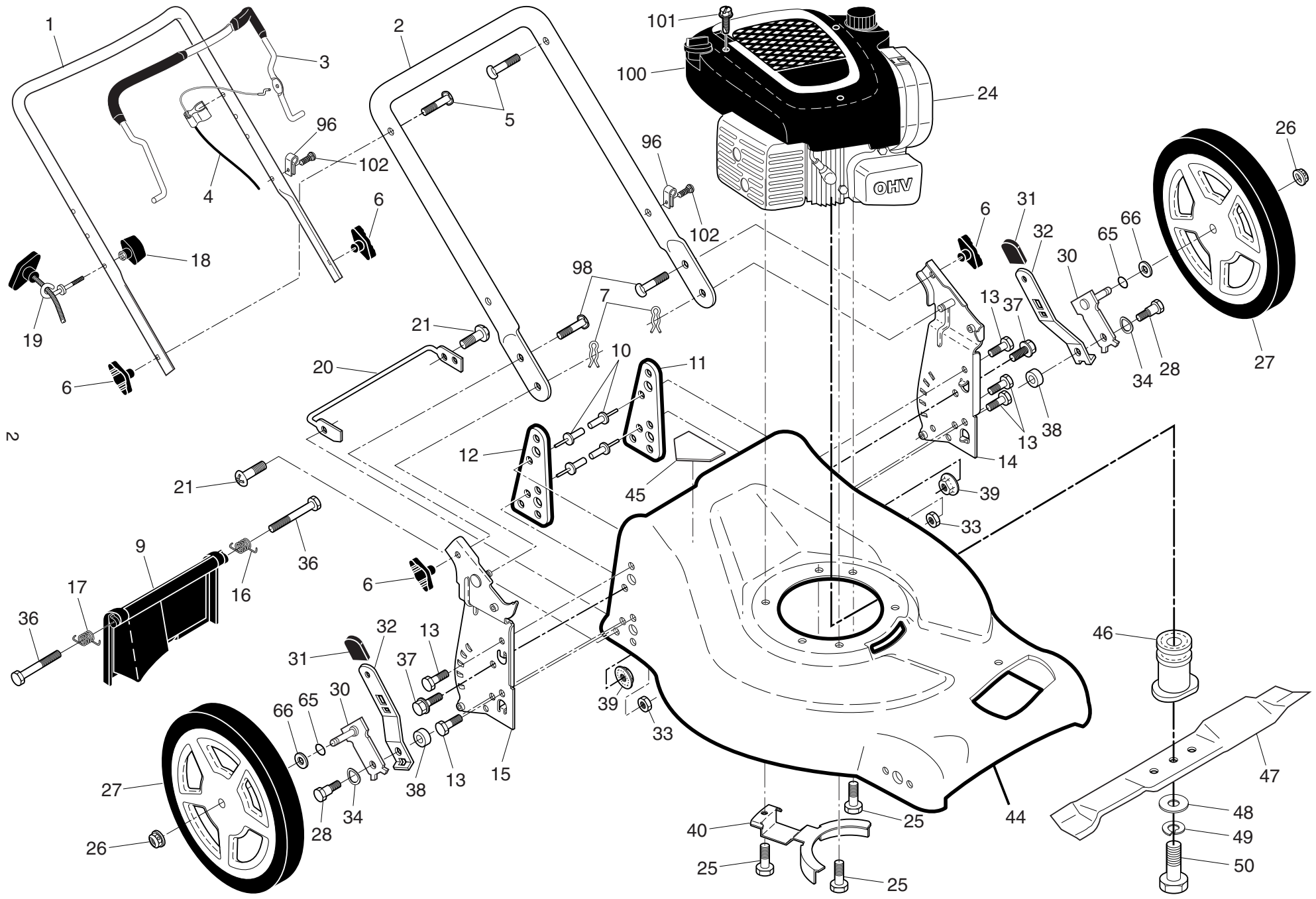
BRAND: McCULLOCH

ROTARY LAWN MOWER

MODEL NUMBER: M51-140WF

MFG. ID. NUMBER: 96141027005

McCULLOCH LAWN MOWER - - MODEL NUMBER M51-140WF (MFG. ID. NUMBER 96141027005)

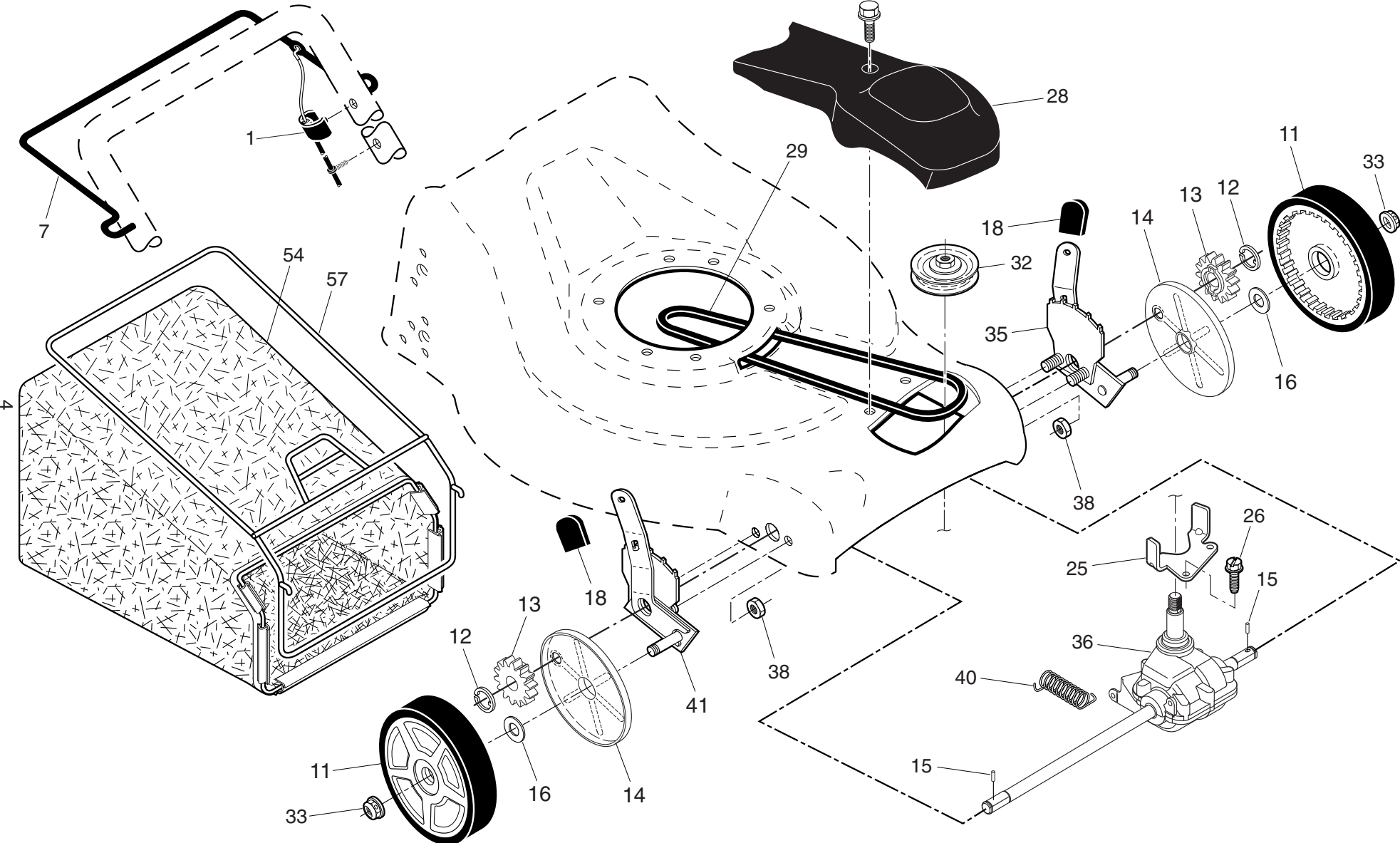


McCULLOCH LAWN MOWER - - MODEL NUMBER M51-140WF (MFG. ID. NUMBER 96141027005)

KEY NO.	PART NO.	DESCRIPTION	KEY NO.	PART NO.	DESCRIPTION
1	580 63 87-02	Upper Handle	33	873 80 05-00	Nut, Hex 5/16-18
2	532 43 45-14	Lower Handle	34	532 40 16-30	Washer, Curved, Cylindrical
3	587 68 93-03	Control Bar, Molded	36	532 18 41-93	Bolt
4	532 42 09-39	Engine Zone Control Cable	37	874 78 05-12	Thread Cutting Screw w/Sems 5/16-18 x 3/4
5	532 19 15-74	Handle Bolt	38	532 40 16-29	Spacer
6	532 19 19-38	Handle Knob	39	532 15 53-77	Nut, Hex, Flanged 5/16-18
7	532 05 17-93	Hairpin Cotter	40	532 43 50-59	Belt Keeper
9	532 40 69-85	Rear Door	44	532 40 93-64	Kit, Lawn Mower Housing (Includes Key Numbers 10, 11, 12 and 45)
10	532 12 84-15	Pop Rivet	45	532 18 21-66	Danger Decal
11	532 40 65-73	Support Bracket, LH	46	581 36 71-01	Blade Adapter / Pulley
12	532 40 65-74	Support Bracket, RH	47	532 19 93-77	Blade, 21"
13	817 06 04-10	Screw 1/4-20 x 5/8	48	532 85 10-74	Hardened Washer
14	532 43 45-13	Handle Bracket Assembly, LH	49	532 85 02-63	Helical Washer 3/8-24 x 1-3/8 Grade 8
15	532 43 45-12	Handle Bracket Assembly, RH	50	532 85 10-84	Hex Head Machine Screw 3/8-24 x 1-3/8 Grade 8
16	532 40 54-17	Spring, Rear Door, LH	65	532 19 74-80	O-Ring
17	532 40 54-18	Spring, Rear Door, RH	66	532 08 83-48	Washer, Flat
18	581 91 26-01	T-Knob	96	532 19 79-91	Clip, Cable
19	581 90 21-01	Rope Guide	98	586 21 25-01	Bolt, Carriage
20	532 43 61-19	Foot Guard, C.E.	100	580 44 56-01	Shroud, Engine
21	817 49 04-16	Screw, Tapping 1/4-20 x 1/2	101	532 18 16-98	Screw, Mounting, Engine Shroud
24	- - -	Engine, Briggs & Stratton, Model Number 9P602-0062-H1 (order parts from engine manufacturer)	102	532 42 81-24	Fastener, Push
25	532 15 04-06	Hex Head Thread Rolling Screw 3/8-16 x 1-1/8	--	581 00 67-01	Bag of Parts (Includes Key Numbers 6 and 98)
26	532 40 91-49	Hex Flange Nut	--	532 18 21-91	Decal, Warning (not shown)
27	581 01 03-05	Wheel & Tire Assembly, Rear	--	115 62 91-20	Operator's Manual, European
28	532 40 16-38	Shoulder Bolt 5/16-18 x .33	--	115 62 91-10	Operator's Manual, Scandinavian
30	532 41 31-41	Axle Arm Assembly, Rear	--	115 62 91-50	Operator's Manual, East Bloc
31	532 08 78-77	Selector Knob	--	115 62 91-40	Operator's Manual, Baltic
32	532 40 98-89	Selector Spring	--	501 07 56-01	Operator's Manual, Ukranian

NOTE: All component dimensions given in U.S. inches. 1 inch = 25.4 mm. **IMPORTANT:** Use only Original Equipment Manufacturer (O.E.M.) replacement parts. Failure to do so could be hazardous, damage your lawn mower and void your warranty.

McCULLOCH LAWN MOWER - - MODEL NUMBER M51-140WF (MFG. ID. NUMBER 96141027005)



McCULLOCH LAWN MOWER - - MODEL NUMBER M51-140WF (MFG. ID. NUMBER 96141027005)

KEY NO.	PART NO.	DESCRIPTION
1	585 04 07-02	Drive Control Assembly, with Cable
7	585 12 31-02	Control Bar, Drive
11	581 00 92-05	Wheel & Tire Assembly, Front (Driven)
12	812 00 00-58	E-Ring
13	532 40 38-49	Pinion Assembly
14	581 84 04-01	Dust Cover
15	532 40 48-45	Pawl, Drive
16	532 06 77-25	Washer 1/2 x 1-1/2 x .134
18	532 08 78-77	Selector Knob
25	532 43 17-11	Belt Keeper
26	532 16 34-09	Screw, Hi-Lo Thread #12 x 5/8
28	532 43 26-65	Drive Cover Assembly (Includes Mounting Screw and Palnut)

KEY NO.	PART NO.	DESCRIPTION
29	532 19 41-49	V-Belt
32	586 98 97-01	Drive Pulley
33	532 40 91-48	Locknut
35	532 43 81-51	Kit, Wheel Adjuster, LH (Includes Knob and Bearing)
36	532 40 48-33	Gearcase Assembly, Complete
38	873 80 04-00	Locknut, Hex 1/4-20
40	532 40 65-58	Spring
41	532 43 81-48	Kit, Wheel Adjuster, RH (Includes Knob and Bearing)
54	580 95 34-04	Grassbag
57	532 41 19-50	Frame, Grassbag

5

NOTE: All component dimensions given in U.S. inches. 1 inch = 25.4 mm. **IMPORTANT:** Use only Original Equipment Manufacturer (O.E.M.) replacement parts. Failure to do so could be hazardous, damage your lawn mower and void your warranty.