

PNC-ML
967174501-04

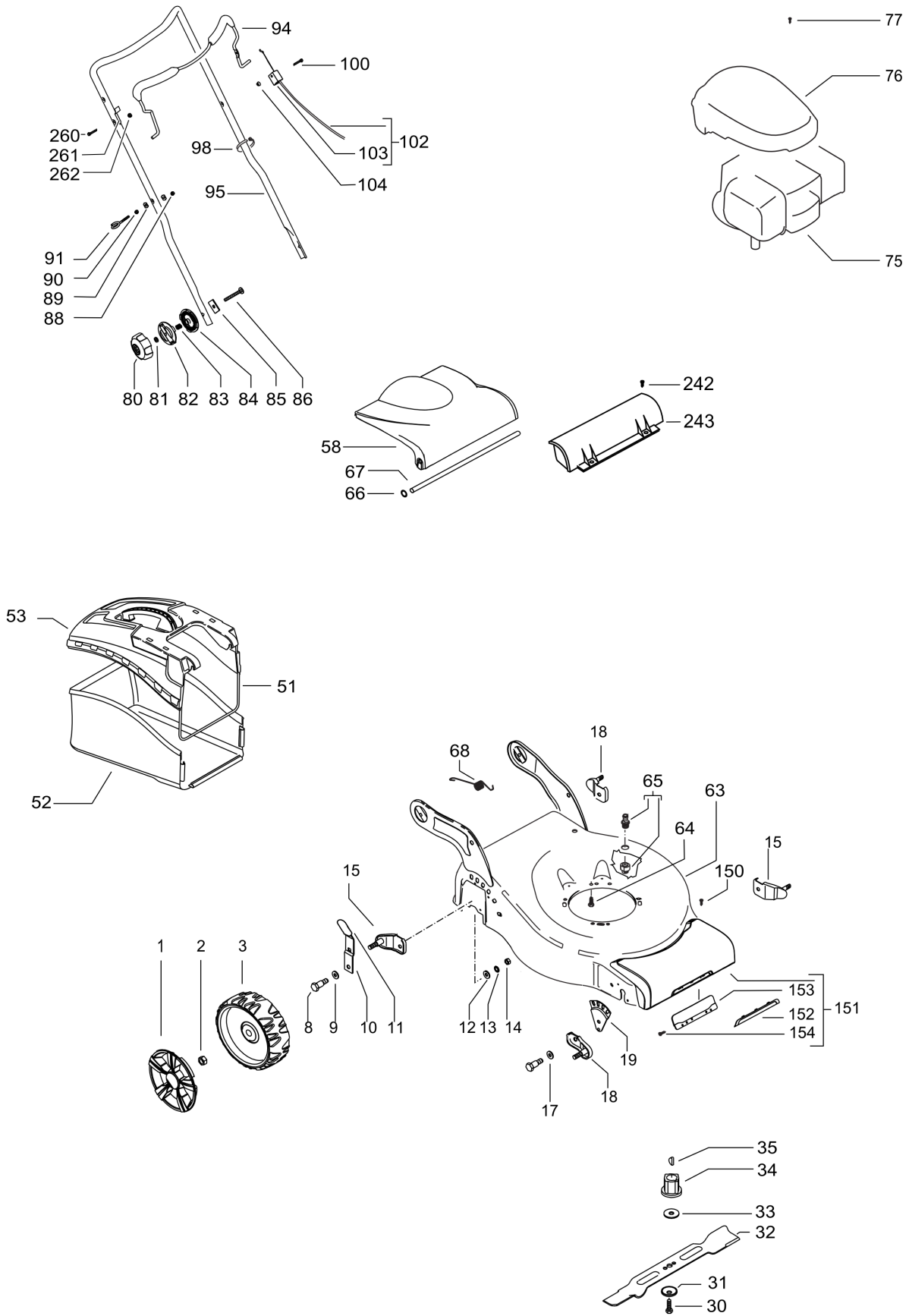
Model
M46-125

Brand
McCulloch

Number of Pages 1 of 3

Factory:	IIQ - Valmadrera	Product Group:	OP 93
Publication Number:	MIPL2014_V090000001	Petrol Portable	
Publication Date:	25/02/14	Sub Group	1071

HUSQVARNA ITALIA SPA



HUSQVARNA ITALIA SPA

Item	PN	Description	Qty	Item	PN	Description	Qty
1	574 39 63-01	wheel cover Ø170	4	81	531 20 49-22	washer	2
2	504 85 78-01	nut	4	82	531 21 14-74	locking disc, outer	2
3	574 41 49-02	wheel Ø170	4	83	531 21 14-76	spring	2
8	531 20 49-12	screw M10x26.4	4	84	531 21 14-73	locking disc, inner	2
9	531 20 66-43	washer (rear)	2	85	531 21 15-81	plate	2
10	586 93 28-01	wheel regulator lever	4	86	581 25 95-01	screw M8x55	2
11	574 61 05-01	sheating	4	88	531 20 84-91	nut M6 self	1
12	531 20 79-89	washer	4	89	531 20 49-61	washer	2
13	531 20 89-74	washer	4	90	531 20 71-65	nut M6	1
14	531 20 79-78	nut M10x26.4	4	91	531 20 51-69	starter cable guide	1
15	504 85 16-01	wheel's support	2	94	580 84 91-04	brake lever	1
17	531 20 60-20	washer (front)	2	95	580 41 23-02	handle	1
18	504 85 15-01	wheel's support	2	98	531 20 55-81	zip tie	2
19	531 21 29-87	wheel lever support	2	100	580 83 36-01	screw	1
30	531 20 80-08	screw, 3/8"	1	102	580 85 34-01	brake cable	1
31	531 20 72-37	spring washer	1	103	531 20 80-43	cable support	1
32	531 21 10-17	blade	1	104	581 55 12-01	nut	1
33	531 20 72-43	washer	1	150	576 04 74-01	screw	2
34	531 20 72-42	blade support	1	151	575 56 21-04	front cover	1
35	505 29 09-01	key	1	152	574 37 52-01	front cover plate	1
51	574 86 94-01	sack frame	1	153	574 72 17-01	back plate	1
52	574 86 96-02	sack	1	154	575 95 57-01	screw	2
53	574 61 03-01	hard top	1	242	576 04 74-01	screw M5x16	2
58	574 61 02-01	safety flap	1	243	579 30 09-01	grass seal	1
63	586 11 99-02	deck	1	260	580 83 36-02	screw	1
64	531 21 28-51	screw 3/8" + split washer	3	261	532 43 00-34	brake lever support	1
65	531 20 58-48	snap on connector 1/2"	1	262	581 55 12-01	nut	1
66	584 81 69-03	starlock	2				
67	531 21 14-41	safety flap bar	1				
68	531 21 18-40	spring	1				
75	———	engine, Briggs & Stratton, model number 08P5020005H1	1				
76	580 44 56-01	engine shroud	1				
77	532 18 16-98	engine shroud screw	3				
80	580 42 43-01	knob	2				