

PNC-ML
967174601-03

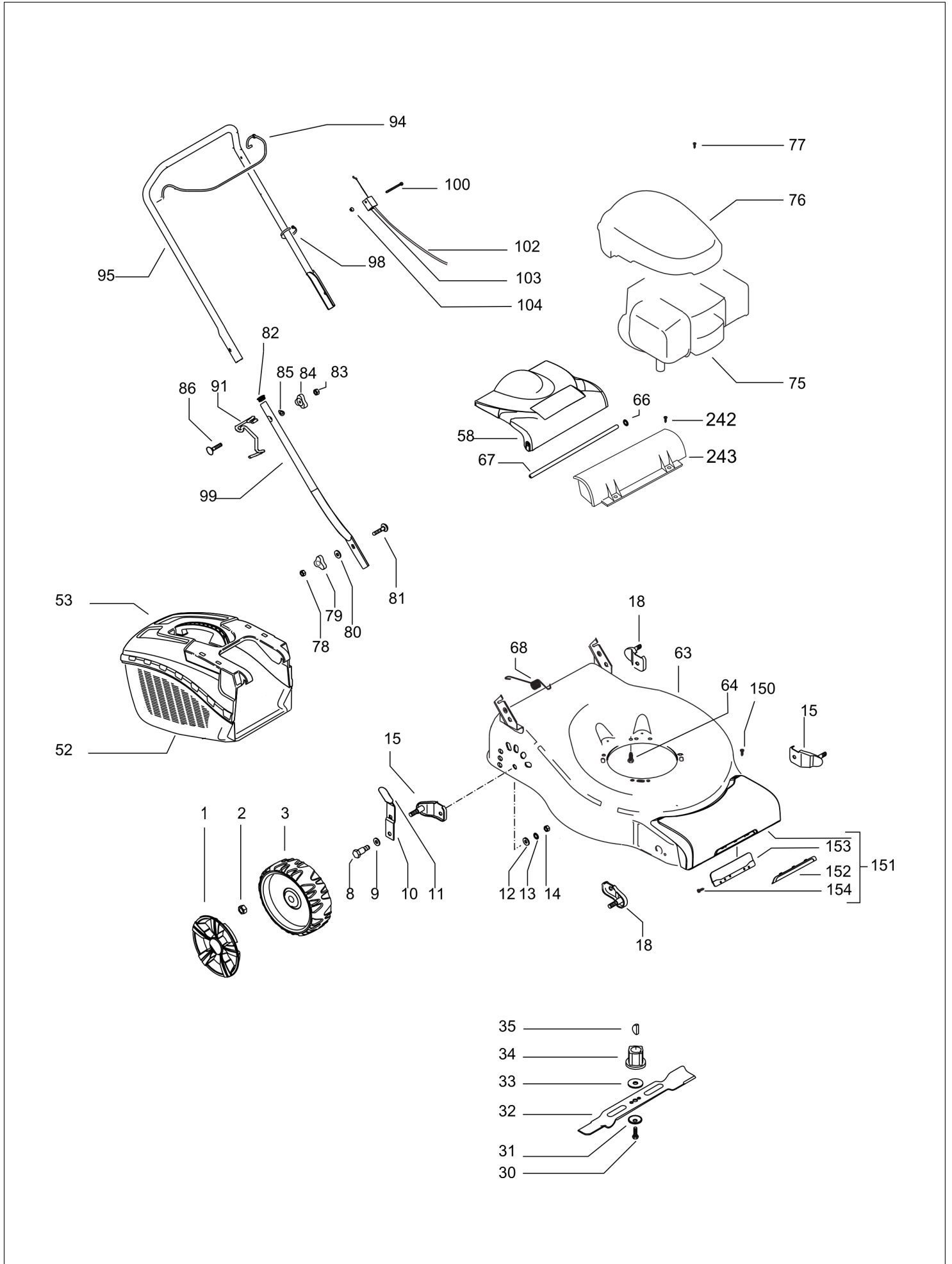
Model
M40-125

Brand
McCulloch

Number of Pages 1 of 3

Factory:	IIQ - Valmadrera	Product Group:	OP 93
Publication Number:	MIPL2014_V02000001	Petrol Portable	
Publication Date:	09/01/14	Sub Group	1071

HUSQVARNA ITALIA SPA



HUSQVARNA ITALIA SPA

Item	PN	Description	Qty	Item	PN	Description	Qty
1	574 39 63-01	wheel cover Ø170	4	85	531 20 70-90	washer	2
2	504 85 78-01	nut	4	86	531 20 70-89	screw M8x50	2
3	574 41 49-02	wheel Ø170	4	91	504 70 86-01	starter cable guide	1
8	531 20 49-12	screw M10x26.4	4	94	504 70 83-04	brake lever	1
9	531 20 66-43	washer	4	95	504 70 80-01	handle, upper half	1
10	586 93 28-01	wheel regulator lever	4	98	531 20 55-81	zip tie	2
11	574 61 05-01	sheating	4	99	531 20 60-71	handle, lower half	2
12	531 20 79-89	washer	4	100	580 83 36-01	screw	1
13	531 20 89-74	washer	4	102	531 21 35-22	brake cable	1
14	531 20 79-78	nut M10x26.4	4	103	531 20 80-43	cable support	1
15	504 85 16-01	wheel's support	2	104	581 55 12-01	nut	1
18	504 85 15-01	wheel's support	2	150	576 04 74-01	screw	2
30	531 20 80-08	screw, 3/8"	1	151	575 56 20-04	front cover	1
31	531 20 72-37	spring washer	1	152	574 37 52-01	front cover plate	1
32	531 21 16-53	blade	1	153	574 72 17-01	back plate	1
33	531 20 72-43	washer	1	154	575 95 57-01	screw	2
34	531 20 72-42	blade support	1	242	576 04 74-01	screw M5x16	2
35	505 29 09-01	key	1	243	579 30 09-01	grass seal	1
52	574 61 03-01	grass bag, lower half	1				
53	574 61 04-01	grass bag, upper half	1				
58	574 61 02-01	safety flap	1				
63	575 74 26-02	deck	1				
64	531 21 28-51	screw 3/8" + split washer	3				
66	584 81 69-03	star lock washer	2				
67	531 20 50-60	bar, safety flap	1				
68	531 20 59-99	spring	1				
75	———	engine, Briggs & Stratton, model number 08P5020005H1	1				
76	580 44 56-01	engine shroud	1				
77	532 18 16-98	engine shroud screw	3				
78	531 20 79-82	nut M8	2				
79	531 20 49-23	knob	2				
80	531 20 49-22	washer	2				
81	531 20 49-21	screw M8x25	2				
82	531 20 89-50	cap	2				
83	531 20 79-82	nut M8	2				
84	531 20 49-23	knob	2				