

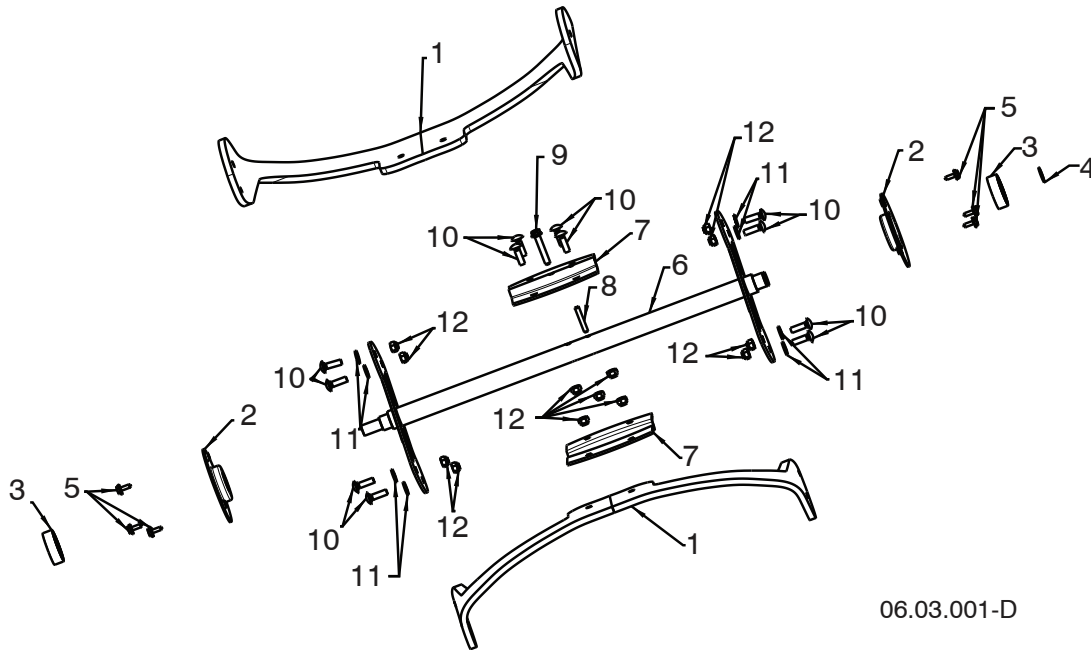
ILLUSTRATED PARTS LIST

MODEL NUMBER ST 53

PRODUCT NUMBER 961 81 00-10

MFG. ID. NUMBER 96181001000

**REPAIR PARTS SNOW THROWER - - MODEL NUMBER ST 53 (96181001000)
AUGER ASSEMBLY**



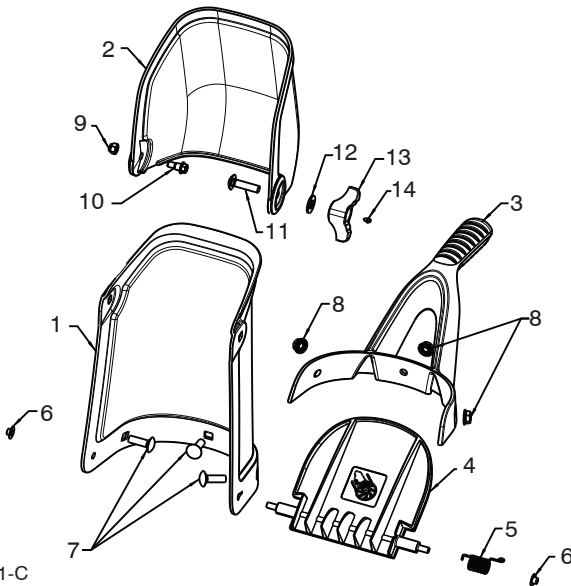
06.03.001-D

KEY NO.	PART NO.	DESCRIPTION
1	532 44 27-59	BLADE
2	580 85 55-01	BEARING SUPPORT
3	532 43 76-22	BALL BEARING
4	812 00 00-28	RETAINING RING
5	817 06 04-08	1/4-20 X 3/8 HEX SCREW
6	532 43 76-17	AUGER WELDMENT
7	580 85 54-01	CENTER BLADE PLATE
8	532 43 76-20	ROLL PIN
9	532 19 96-87	SCREW HEX WS HD 1/4-20 X 1.5
10	872 11 04-07	BOLT CARRIAGE 1/4-20 X 7/8
11	819 09 10-16	WASHER FLAT 1/4 SAE
12	532 13 20-04	NUT HEX 1/4-20 BZO

NOTE: All component dimensions given in U.S. inches. 1 inch = 25.4 mm
IMPORTANT: Use only Original Equipment Manufacturer (O.E.M.) replacement parts.
 Failure to do so could be hazardous, damage your snow thrower and void your warranty.

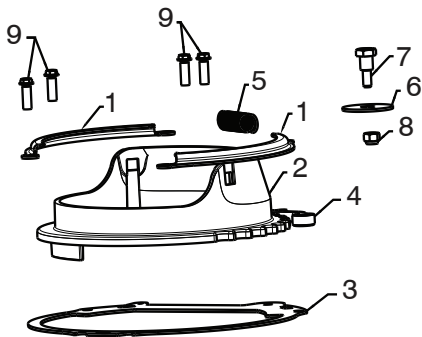
REPAIR PARTS SNOW THROWER - - MODEL NUMBER ST 53 (96181001000)

CHUTE ASSEMBLY



06.05.001-C

KEY NO.	PART NO.	DESCRIPTION
1	532 43 76-41	CHUTE (BLACK)
2	532 43 76-43	DEFLECTOR (BLACK)
3	532 43 76-42	HANDLE (BLACK)
4	532 43 76-45	GUARD (BLACK)
5	532 43 66-22	SPRING
6	532 44 22-51	PUSH NUT
7	532 43 73-18	CARRIAGE BOLT 5/16-18 UNC X 1
8	873 97 05-00	NUT LOCK HEX W/INS 5/16-18 UNC PL
9	532 13 20-04	NUT HEX 1/4-20 NYLON LOCKING
10	532 44 46-82	SHOULDER BOLT 1/4-20 HEX HEAD
11	872 11 05-10	CARRIAGE BOLT 5/16-18 X 1-1/4
12	819 13 13-16	WASHER 13/32 X 13/16 X 16 GA
13	532 19 19-38	KNOB TWO WING
14	532 07 16-73	CAP PLUNGER

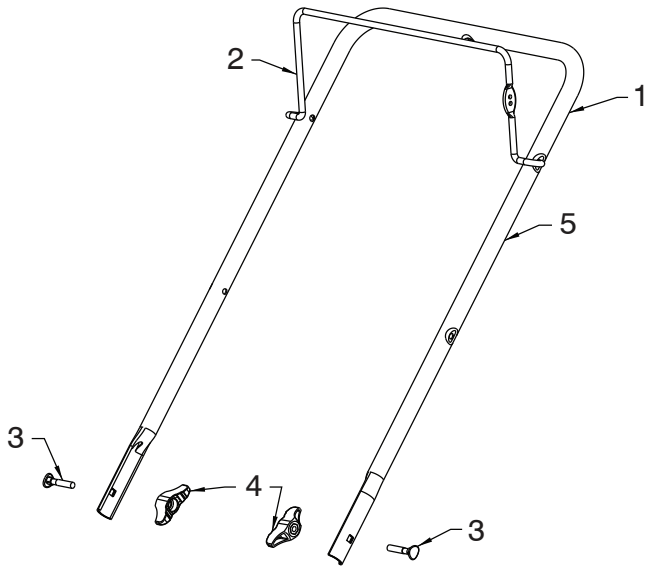


06.04.009-C

KEY NO.	PART NO.	DESCRIPTION
1	587 23 81-01	CHUTE RETAINER
2	580 85 65-01	CHUTE BASE
3	580 85 56-01	CHUTE BASE PLATE
4	532 43 48-78	RATCHET PAWL
5	532 43 48-79	SPRING
6	819 13 24-16	WASHER (13/32 X 1.25)
7	532 08 13-28	BOLT (1/4-20 X .94)
8	532 13 20-04	NUT (1/4-20 HEX)
9	817 41 13-12	BOLT (13-16 X .75)

NOTE: All component dimensions given in U.S. inches. 1 inch = 25.4 mm
IMPORTANT: Use only Original Equipment Manufacturer (O.E.M.) replacement parts.
 Failure to do so could be hazardous, damage your snow thrower and void your warranty.

**REPAIR PARTS SNOW THROWER - - MODEL NUMBER ST 53 (96181001000)
HANDLE ASSEMBLY**

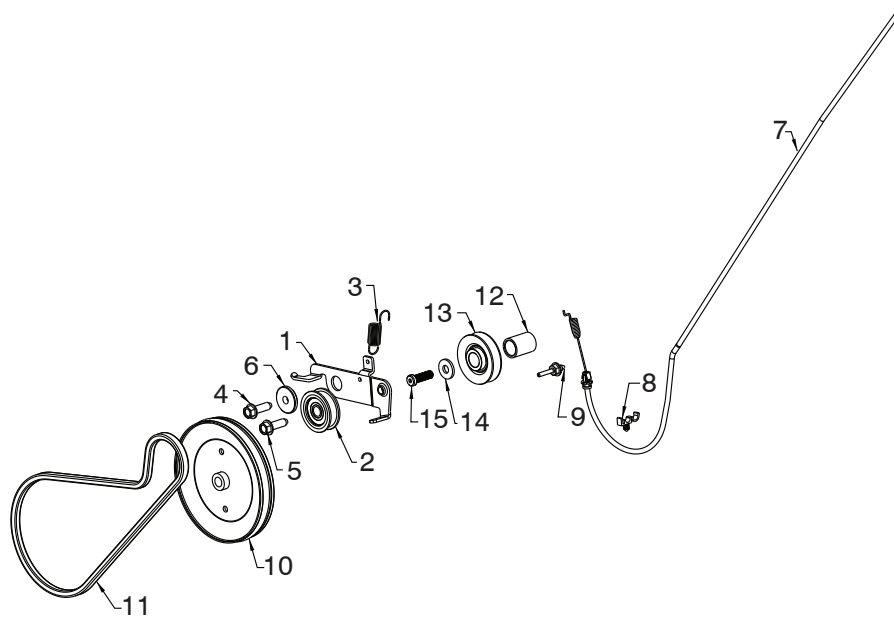


06.07.003-C

KEY NO.	PART NO.	DESCRIPTION
1	580 85 70-01	UPPER HANDLE
2	532 43 76-47	BAIL
3	532 19 15-74	HANDLE BOLT
4	532 19 19-38	WING KNOB
5	532 43 75-06	AUGER CONTROL DECAL

NOTE: All component dimensions given in U.S. inches. 1 inch = 25.4 mm
IMPORTANT: Use only Original Equipment Manufacturer (O.E.M.) replacement parts.
 Failure to do so could be hazardous, damage your snow thrower and void your warranty.

REPAIR PARTS SNOW THROWER - - MODEL NUMBER ST 53 (96181001000) DRIVE ASSEMBLY

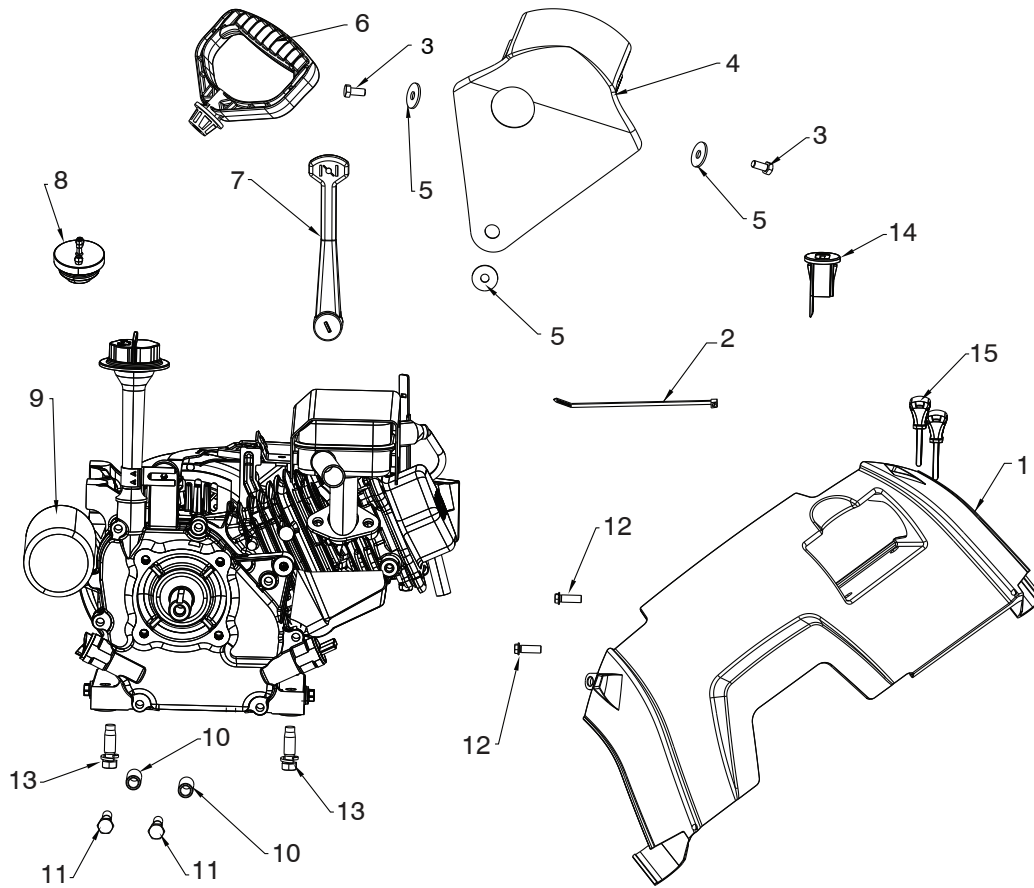


06.01.001-A

KEY NO.	PART NO.	DESCRIPTION
1	580 85 53-01	IDLER ARM
2	532 16 60-43	IDLER PULLEY
3	532 43 48-59	RETURN SPRING
4	817 06 06-20	SCREW 3/8-16 X 1-1/4 (TORQUE 13-18 FT-LBS)
5	817 06 06-20	SCREW 3/8-16 X 1-1/4 (TORQUE 22-27 FT-LBS)
6	532 19 90-92	SPACER
7	532 44 30-18	CLUTCH CABLE ASM
8	532 14 50-06	PUSH CLIP
9	532 43 45-02	BELT KEEPER
10	532 43 53-83	DRIVE PULLEY
11	532 43 72-61	BELT
12	532 43 48-60	ENGINE CRANK SPACER
13	532 42 64-90	ENGINE PULLEY
14	532 85 10-74	WASHER
15	532 43 08-17	SCREW 3/8-24 X 1/25

NOTE: All component dimensions given in U.S. inches. 1 inch = 25.4 mm
IMPORTANT: Use only Original Equipment Manufacturer (O.E.M.) replacement parts.
 Failure to do so could be hazardous, damage your snow thrower and void your warranty.

REPAIR PARTS SNOW THROWER - - MODEL NUMBER ST 53 (96181001000) ENGINE ASSEMBLY



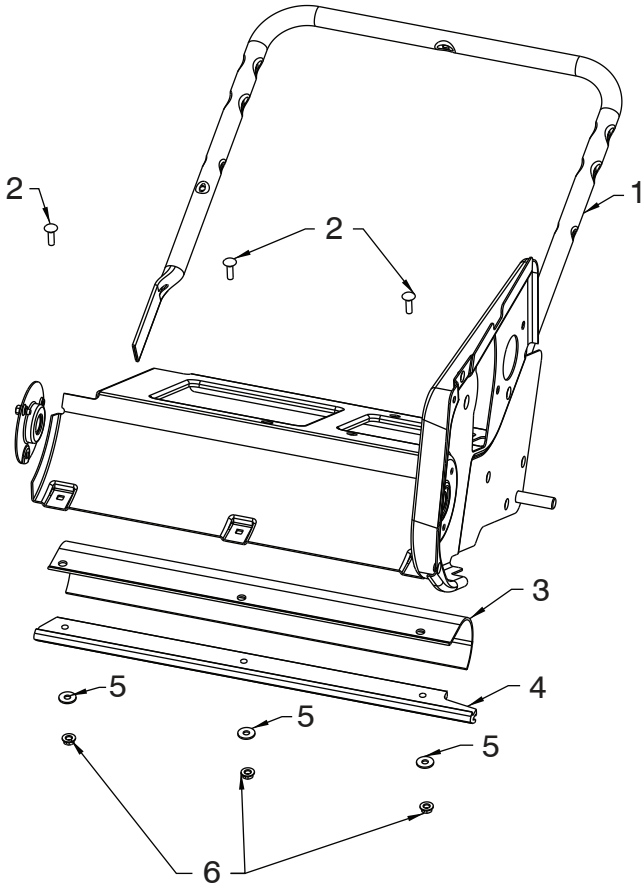
06.02.002-A

KEY NO.	PART NO.	DESCRIPTION
1	532 43 76-58	REAR COVER
2	532 44 46-49	CABLE TIE
3	581 56 26-01	BOLT M6 X 1 X 14M
4	532 43 76-19	MUFFLER COVER
5	819 09 14-16	WASHER 9/32 X 7/8 X 16 GA
6	532 43 62-76	STARTER HANDLE
7	532 43 48-74	CHOKE LEVER
8	532 43 62-35	PRIMER BULB
9	580 81 07-02	ENGINE 136 LCT PW3HK1840018P
10	532 43 48-57	ENGINE SPACER
11	532 43 55-78	SCREW 5/16-24 X 2
12	817 41 13-12	SCREW HEX FLHD #13 X .75
13	532 15 04-06	BOLT 3/8-16 DOGPOINT
14	532 43 54-07	SWITCH
15	532 44 30-59	KEY SET (QTY: 2)

NOTE: All component dimensions given in U.S. inches. 1 inch = 25.4 mm
IMPORTANT: Use only Original Equipment Manufacturer (O.E.M.) replacement parts.
 Failure to do so could be hazardous, damage your snow thrower and void your warranty.

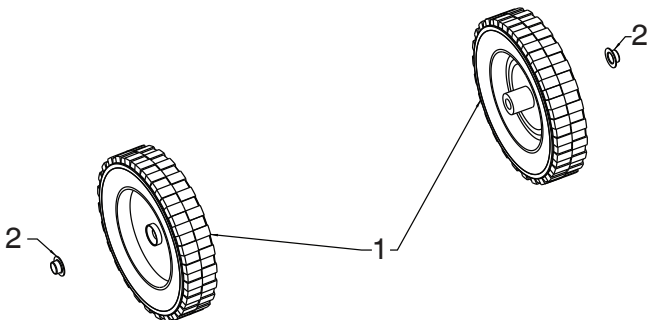
REPAIR PARTS SNOW THROWER - - MODEL NUMBER ST 53 (96181001000)

FRAME ASSEMBLY



06.00.001-B

KEY NO.	PART NO.	DESCRIPTION
1	580 85 62-01	FRAME WELDMENT
2	872 11 04-07	BOLT, CARRIAGE 1/4-20 X 7/8
3	532 44 21-46	SCRAPER; SKIRT
4	580 50 26-01	BAR; SCRAPER UHMW
5	819 09 12-16	WASHER 9/32 X 3/4 X 16 GA
6	532 19 17-30	NUT, HEX FLANGE 1/4-20 CTR LOCK

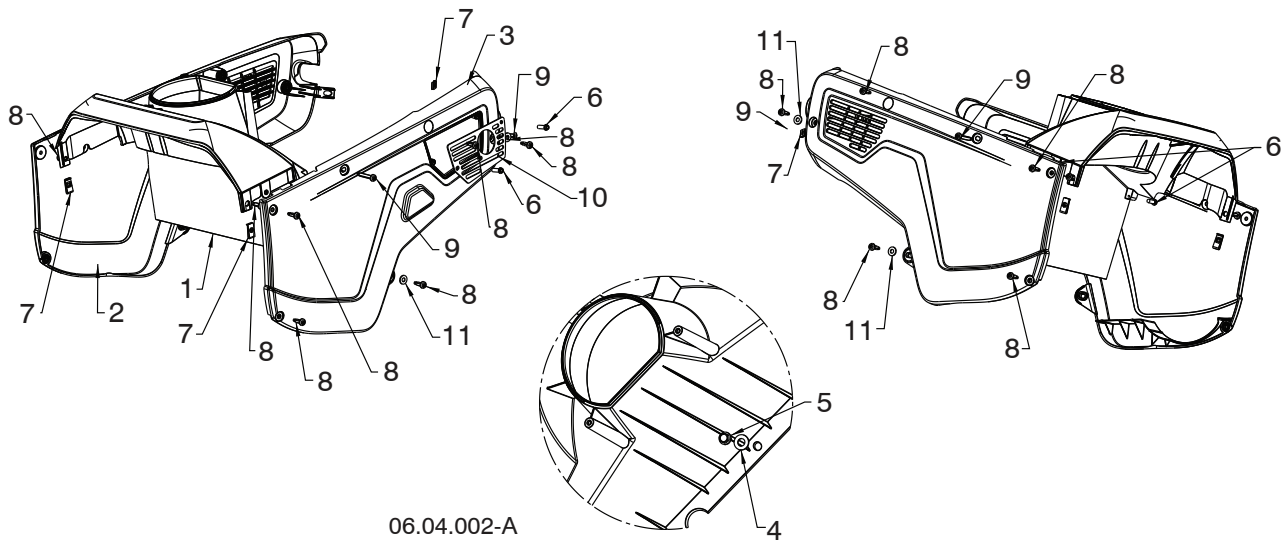


06.06.005-C

KEY NO.	PART NO.	DESCRIPTION
1	532 43 76-16	WHEEL 7"
2	532 43 54-17	PUSH NUT

NOTE: All component dimensions given in U.S. inches. 1 inch = 25.4 mm
IMPORTANT: Use only Original Equipment Manufacturer (O.E.M.) replacement parts.
 Failure to do so could be hazardous, damage your snow thrower and void your warranty.

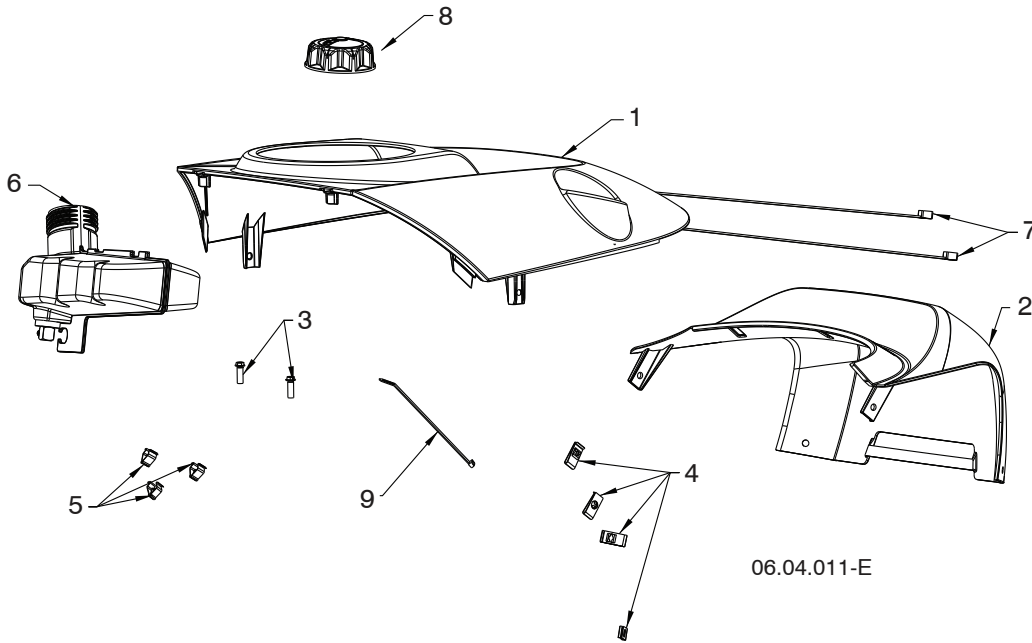
REPAIR PARTS SNOW THROWER - - MODEL NUMBER ST 53 (96181001000) SHROUD ASSEMBLY



KEY NO.	PART NO.	DESCRIPTION
1	532 44 33-96	PLENUM
2	532 44 33-97	NON – DRIVE COVER
3	532 44 33-98	DRIVE COVER SIDE
4	819 13 13-16	WASHER 13/32 X 13/16 GA
5	532 42 88-67	BOLT 5/16-18 X .75
6	817 41 13-12	BOLT 13-16 X .75
7	532 19 66-88	THREADED CLIP
8	532 44 22-50	SCREW 1/4-20 X .75
9	532 44 42-62	SCREW 1/4-20 X 1.5
10	580 83 35-01	EXHAUST PLATE
11	819 09 10-16	WASHER FLAT 1/4 SAE

NOTE: All component dimensions given in U.S. inches. 1 inch = 25.4 mm
IMPORTANT: Use only Original Equipment Manufacturer (O.E.M.) replacement parts.
 Failure to do so could be hazardous, damage your snow thrower and void your warranty.

REPAIR PARTS SNOW THROWER - - MODEL NUMBER ST 53 (96181001000) SHROUD ASSEMBLY



KEY NO.	PART NO.	DESCRIPTION
1	532 44 33-99	TOP COVER
2	532 43 76-44	REAR UPPER COVER
3	817 41 13-12	BOLT 13-16 X .75
4	532 19 66-88	THREADED CLIP
5	532 43 48-68	TRIM CLIP
6	580 98 26-01	FUEL TANK ASSEMBLY
7	532 14 68-48	CABLE TIE
8	581 07 55-01	FUEL CAP/GASKET
9	532 44 46-49	CABLE TIE

NOTE: All component dimensions given in U.S. inches. 1 inch = 25.4 mm
IMPORTANT: Use only Original Equipment Manufacturer (O.E.M.) replacement parts.
 Failure to do so could be hazardous, damage your snow thrower and void your warranty.

REPAIR PARTS SNOW THROWER - - MODEL NUMBER ST 53 (96181001000)
ENGINE, LCT COMPLETE ENGINE-580810702

136/208cc Single-Stage Snow Engines

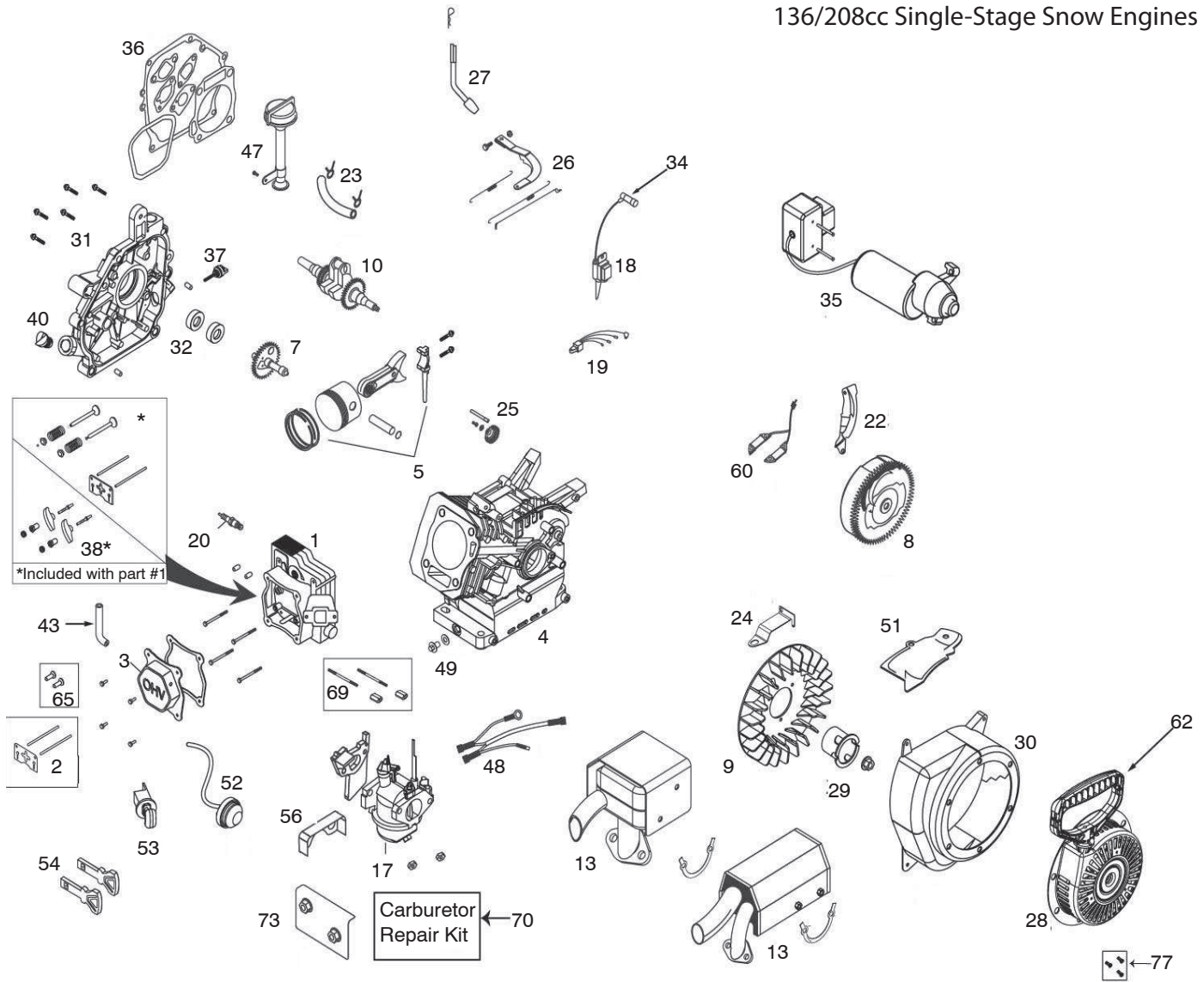


ILLUSTRATION FOR REFERENCE PURPOSES ONLY

NOTE: All component dimensions given in U.S. inches. 1 inch = 25.4 mm
IMPORTANT: Use only Original Equipment Manufacturer (O.E.M.) replacement parts.
 Failure to do so could be hazardous, damage your snow thrower and void your warranty.

REPAIR PARTS SNOW THROWER - - MODEL NUMBER ST 53 (96181001000)
ENGINE, LCT COMPLETE ENGINE-580810702

KEY PART NO.	PART NO.	DESCRIPTION
1	532 43 80-06	Cylinder Head Assy (136cc)
2	532 43 80-11	Push Rod Kit (136cc)(incl. valve cover gskt)
3	580 94 15-01	Valve Cover (136cc)
4	532 43 80-12	Cylinder Assembly (136cc)
5	532 43 80-07	Piston & Rod Assy (136cc)
7	532 43 80-05	Camshaft (136cc)
8	532 43 79-99	Manual Start Flywheel (136cc)
9	532 43 80-01	Flywheel Fan (136cc)
10	532 43 80-09	Crankshaft (#18)
13	532 43 79-89	Muffler Assembly(136 Single Stage) Snow
17	532 43 79-90	Carburetor Assy(136 Single Stage) Snow
18	580 94 13-01	Ignition Coil (1-pc ignition with 2-wire Plug Connector)
20	532 42 49-39	Spark Plug
22	532 43 79-96	Flywheel Shield-Manual Start (136cc)
23	532 43 80-14	Fuel Hose Kit (Single Stage)
24	532 42 92-59	Speed Control Bracket-Snow
25	532 42 96-46	Governor Gear Assembly
26	532 43 80-03	Governor Arm Assy (136cc)
27	532 43 80-04	Governor Shaft (136cc)
28	532 43 69-67	Recoil Starter Assy(Round-Black)Snow
29	532 43 79-91	Starter Cup (136cc)
30	532 43 79-93	Blower Housing-Manual (136 Single Stage) Snow
31	580 94 12-01	Crankcase Cover Assy (with threaded oil-fill tube)
31	581 36 35-01	Crankcase Cover (with press-in oil-fill tube) (Serial numbers >1240H0519257)
32	532 43 80-08	Oil Seal Kit (136cc)
34	532 43 69-66	Spark Plug Boot-Snow
36	532 43 80-13	Gasket Kit (136cc)
37	532 42 09-61	Small Black Dipstick
38	532 43 80-10	Rocker Arm Kit (136cc)
40	532 42 95-98	Non-Removable Plug
43	580 35 34-01	Breather Tube (136/208cc)
47	532 44 40-91	Oil Fill Tube (Threaded type)
47	581 00 72-01	High Oil-Fill Tube (Press-In Type) (Serial number >1240H0519257)
48	580 94 14-01	Wire Harness (Ss W/2-Plug Connector)
49	532 43 54-95	Oil Drain Plug Kit
51	580 94 11-01	Cylinder Shield (136 Single Stage) Snow
52	532 43 71-23	Fuel Primer Bulb W/Hose Kit(Single Stage)Snow
53	532 42 49-54	Key Switch Assembly-Snow
54	532 44 30-59	Key Set (Red) Snow
56	532 42 92-60	Vapor Shield-Snow
62	532 42 49-68	Starter Grip-Snow
69	532 42 49-51	Carburetor Studs & Coupling Kit-Snow
70	580 35 36-01	Carburetor Repair Kit (136/208/254cc)
73	532 44 42-75	Intake Shield (208cc Ss Snow)
77	532 43 26-88	Recoil Bolt Kit

NOTE: All component dimensions given in U.S. inches. 1 inch = 25.4 mm
IMPORTANT: Use only Original Equipment Manufacturer (O.E.M.) replacement parts.
 Failure to do so could be hazardous, damage your snow thrower and void your warranty.

