

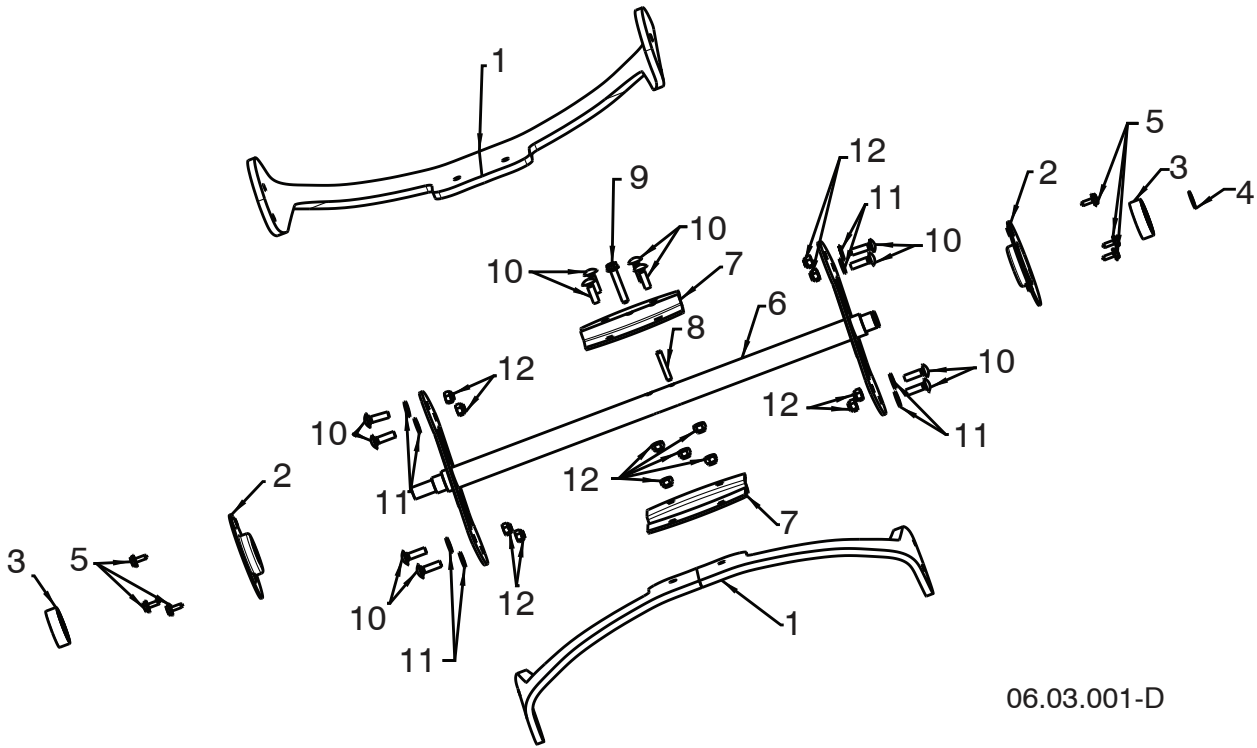
ILLUSTRATED PARTS LIST

MODEL NUMBER ST 53E

PRODUCT NUMBER 961 81 00-11

MFG. ID. NUMBER 96181001100

**REPAIR PARTS SNOW THROWER - - MODEL NUMBER ST 53E (96181001100)
AUGER ASSEMBLY**



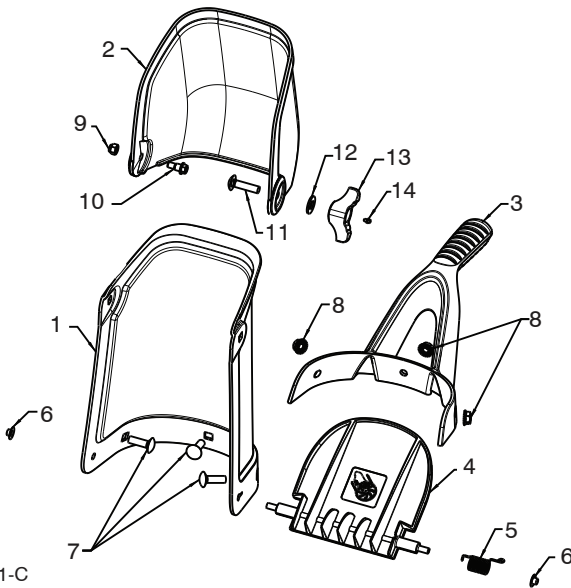
06.03.001-D

KEY NO.	PART NO.	DESCRIPTION
1	532 44 27-59	BLADE
2	580 85 55-01	BEARING SUPPORT
3	532 43 76-22	BALL BEARING
4	812 00 00-28	RETAINING RING
5	817 06 04-08	1/4-20 X 3/8 HEX SCREW
6	532 43 76-17	AUGER WELDMENT
7	580 85 54-01	CENTER BLADE PLATE
8	532 43 76-20	ROLL PIN
9	532 19 96-87	SCREW HEX WS HD 1/4-20 X 1.5
10	872 11 04-07	BOLT CARRIAGE 1/4-20 X 7/8
11	819 09 10-16	WASHER FLAT 1/4 SAE
12	532 13 20-04	NUT HEX 1/4-20 BZO

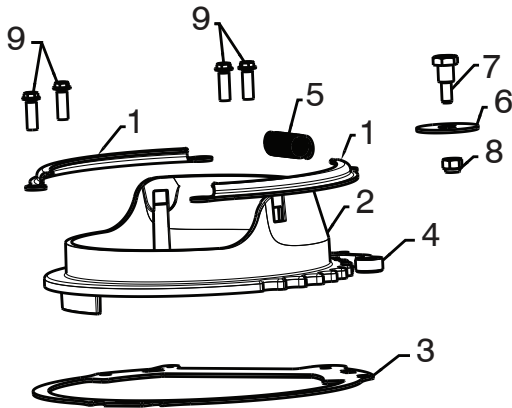
NOTE: All component dimensions given in U.S. inches. 1 inch = 25.4 mm
IMPORTANT: Use only Original Equipment Manufacturer (O.E.M.) replacement parts.
 Failure to do so could be hazardous, damage your snow thrower and void your warranty.

REPAIR PARTS SNOW THROWER - - MODEL NUMBER ST 53E (96181001100)

CHUTE ASSEMBLY



KEY NO.	PART NO.	DESCRIPTION
1	532 43 76-41	CHUTE (BLACK)
2	532 43 76-43	DEFLECTOR (BLACK)
3	532 43 76-42	HANDLE (BLACK)
4	532 43 76-45	GUARD (BLACK)
5	532 43 66-22	SPRING
6	532 44 22-51	PUSH NUT
7	532 43 73-18	CARRIAGE BOLT 5/16-18 UNC X 1
8	873 97 05-00	NUT LOCK HEX W/INS 5/16-18 UNC PL
9	532 13 20-04	NUT HEX 1/4-20 NYLON LOCKING
10	532 44 46-82	SHOULDER BOLT 1/4-20 HEX HEAD
11	872 11 05-10	CARRIAGE BOLT 5/16-18 X 1-1/4
12	819 13 13-16	WASHER 13/32 X 13/16 X 16 GA
13	532 19 19-38	KNOB TWO WING
14	532 07 16-73	CAP PLUNGER

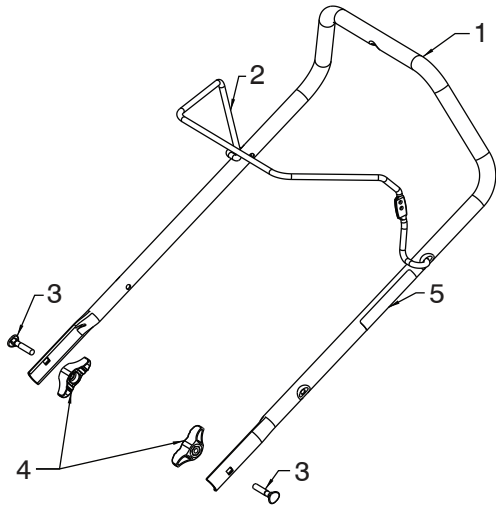


KEY NO.	PART NO.	DESCRIPTION
1	580 85 65-01	CHUTE RETAINER
2	587 23 81-01	CHUTE BASE
3	580 85 56-01	CHUTE BASE PLATE
4	532 43 48-78	RATCHET PAWL
5	532 43 48-79	SPRING
6	819 13 24-16	WASHER (13/32 X 1.25)
7	532 08 13-28	BOLT (1/4-20 X .94)
8	532 13 20-04	NUT (1/4-20 HEX)
9	817 41 13-12	BOLT (13-16 X .75)

06.04.009-C

NOTE: All component dimensions given in U.S. inches. 1 inch = 25.4 mm
IMPORTANT: Use only Original Equipment Manufacturer (O.E.M.) replacement parts.
 Failure to do so could be hazardous, damage your snow thrower and void your warranty.

REPAIR PARTS SNOW THROWER - - MODEL NUMBER ST 53E (96181001100) HANDLE ASSEMBLY

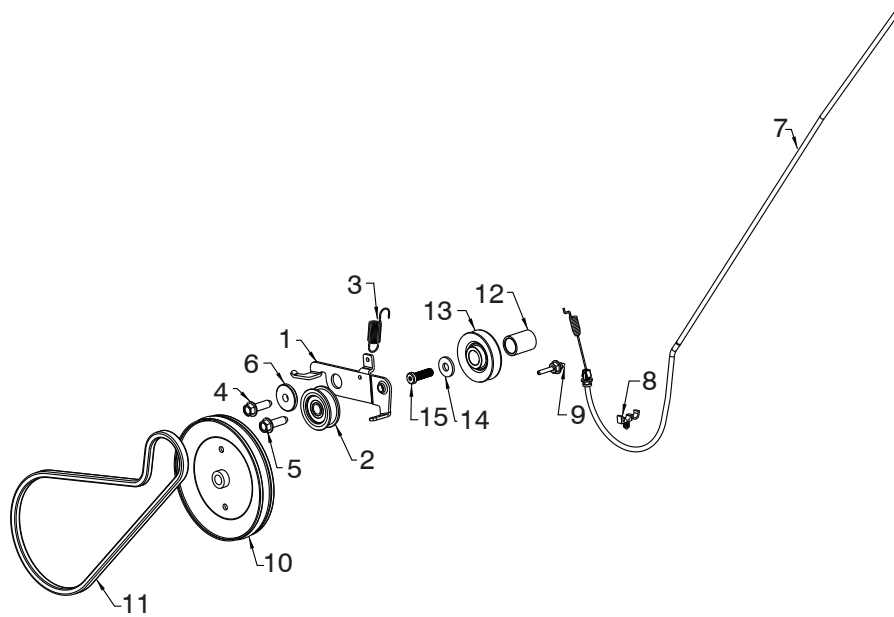


06.07.004-A

KEY NO.	PART NO.	DESCRIPTION
1	580 85 68-01	UPPER HANDLE
2	532 44 46-46	BAIL
3	532 19 15-74	HANDLE BOLT
4	532 19 19-38	WING KNOB
5	532 43 75-06	AUGER CONTROL DECAL

NOTE: All component dimensions given in U.S. inches. 1 inch = 25.4 mm
IMPORTANT: Use only Original Equipment Manufacturer (O.E.M.) replacement parts.
Failure to do so could be hazardous, damage your snow thrower and void your warranty.

REPAIR PARTS SNOW THROWER - - MODEL NUMBER ST 53E (96181001100) DRIVE ASSEMBLY

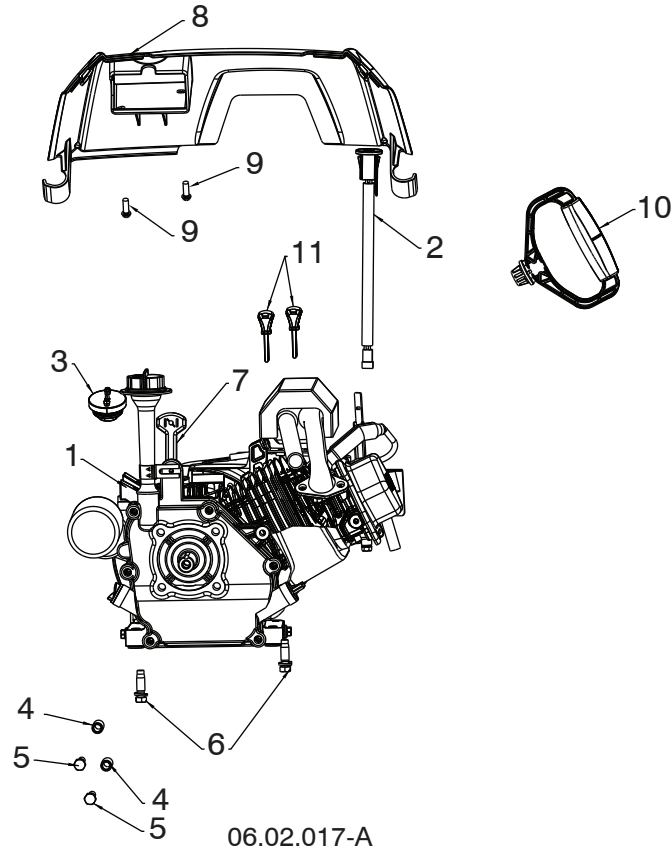


06.01.001-A

KEY NO.	PART NO.	DESCRIPTION
1	580 85 53-01	IDLER ARM
2	532 16 60-43	IDLER PULLEY
3	532 43 48-59	RETURN SPRING
4	817 06 06-20	SCREW 3/8-16 X 1-1/4 (TORQUE 13-18 FT-LBS)
5	817 06 06-20	SCREW 3/8-16 X 1-1/4 (TORQUE 22-27 FT-LBS)
6	532 19 90-92	SPACER
7	532 44 30-18	CLUTCH CABLE ASM
8	532 14 50-06	PUSH CLIP
9	532 43 45-02	BELT KEEPER
10	532 43 53-83	DRIVE PULLEY
11	532 43 72-61	BELT
12	532 43 48-60	ENGINE CRANK SPACER
13	532 42 64-90	ENGINE PULLEY
14	532 85 10-74	WASHER
15	532 43 08-17	SCREW 3/8-24 X 1/25

NOTE: All component dimensions given in U.S. inches. 1 inch = 25.4 mm
IMPORTANT: Use only Original Equipment Manufacturer (O.E.M.) replacement parts.
 Failure to do so could be hazardous, damage your snow thrower and void your warranty.

REPAIR PARTS SNOW THROWER - - MODEL NUMBER ST 53E (96181001100) ENGINE ASSEMBLY

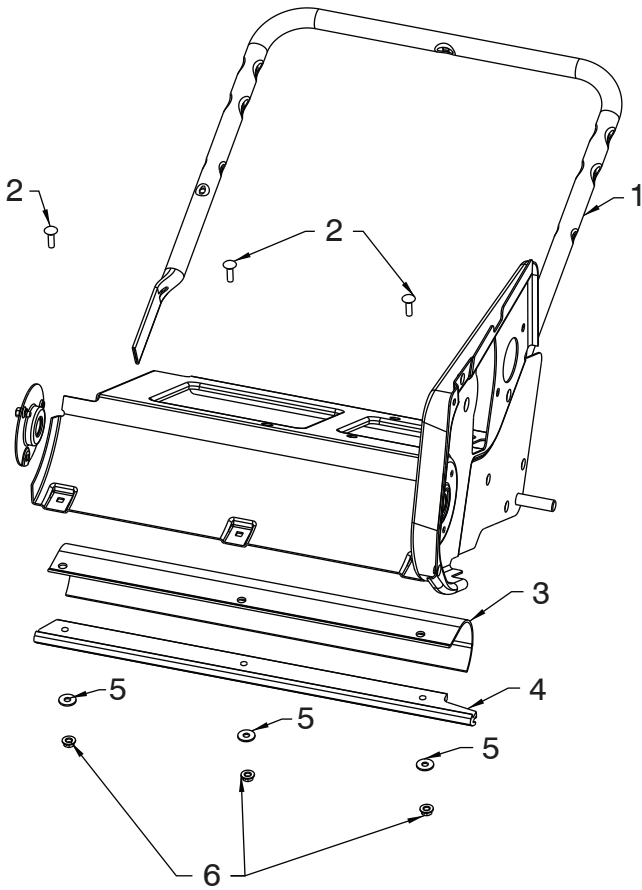


KEY NO.	PART NO.	DESCRIPTION
1	585 74 26-06	ENGINE LCT 179CC ES PW3HK180018Y
2	580 85 02-01	KEY SWITCH
3	532 43 62-35	PRIMER BULB
4	532 43 48-57	ENGINE SPACER
5	532 43 55-78	SCREW 5/16-24 X 2.00 HHCS
6	532 15 04-06	ENGINE BOLT 3/8-16 DOGPOINT
7	532 43 48-74	CHOKE LEVER
8	532 43 76-58	LOWER REAR COVER
9	817 41 13-12	SCREW HEX WSHHD #13 X .750
10	532 43 62-76	HANDLE RECOIL
11	532 44 30-59	KEY SET (QTY: 2)

NOTE: All component dimensions given in U.S. inches. 1 inch = 25.4 mm
IMPORTANT: Use only Original Equipment Manufacturer (O.E.M.) replacement parts.
 Failure to do so could be hazardous, damage your snow thrower and void your warranty.

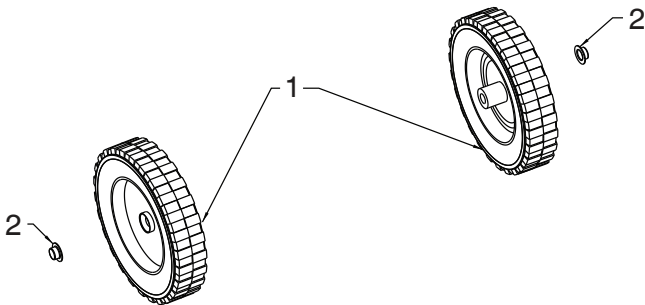
REPAIR PARTS SNOW THROWER - - MODEL NUMBER ST 53E (96181001100)

FRAME ASSEMBLY



06.00.001-B

KEY NO.	PART NO.	DESCRIPTION
1	580 85 62-01	FRAME WELDMENT
2	872 11 04-07	BOLT, CARRIAGE 1/4-20 X 7/8
3	532 44 21-46	SCRAPER; SKIRT
4	580 50 26-01	BAR; SCRAPER UHMW
5	819 09 12-16	WASHER 9/32 X 3/4 X 16 GA
6	532 19 17-30	NUT, HEX FLANGE 1/4-20 CTR LOCK



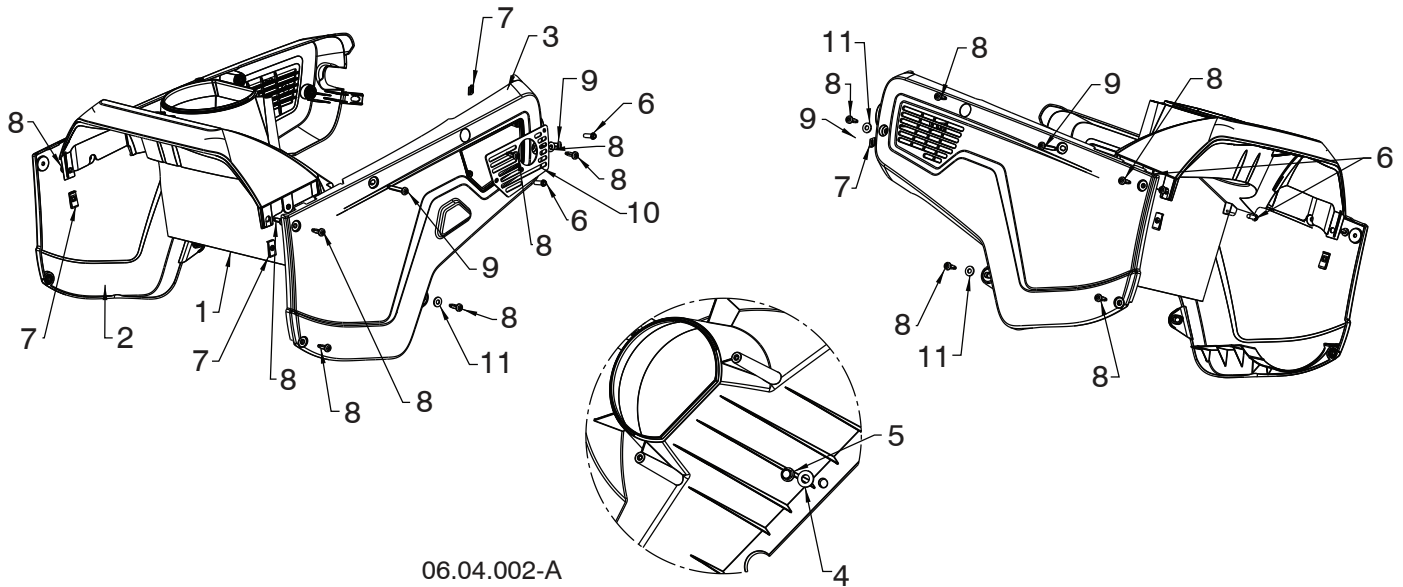
06.06.006-A

KEY NO.	PART NO.	DESCRIPTION
1	532 43 76-62	WHEEL 8"
2	532 43 54-17	PUSH NUT

NOTE: All component dimensions given in U.S. inches. 1 inch = 25.4 mm
IMPORTANT: Use only Original Equipment Manufacturer (O.E.M.) replacement parts. Failure to do so could be hazardous, damage your snow thrower and void your warranty.

REPAIR PARTS SNOW THROWER - - MODEL NUMBER ST 53E (96181001100)

SHROUD ASSEMBLY

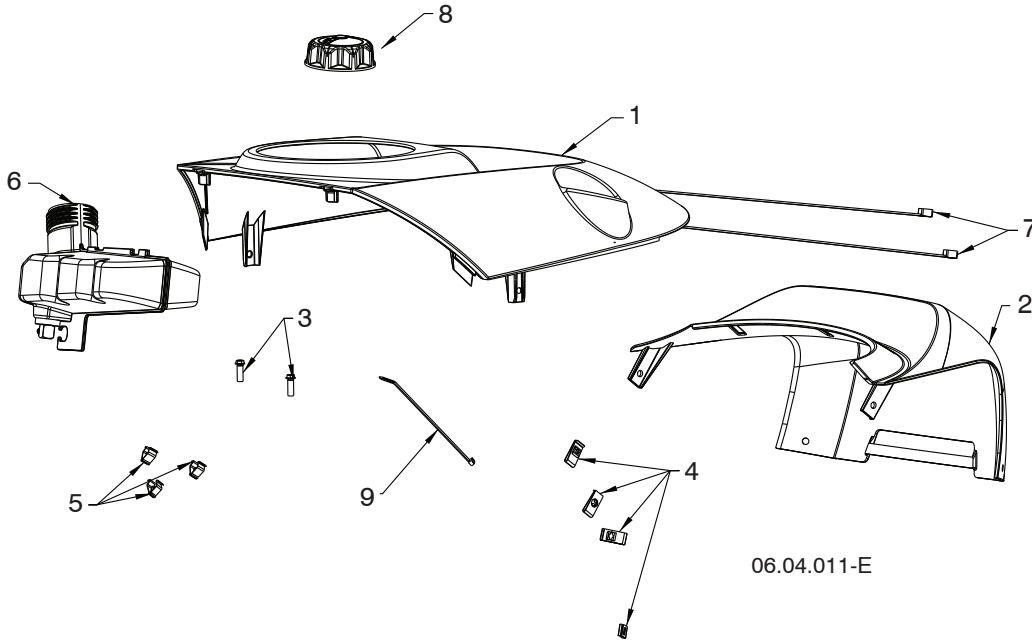


KEY NO.	PART NO.	DESCRIPTION
1	532 44 33-96	PLENUM
2	532 44 33-97	NON - DRIVE COVER
3	532 44 33-98	DRIVE COVER SIDE
4	819 13 13-16	WASHER 13/32 X 13/16 GA
5	532 42 88-67	BOLT 5/16-18 X .75
6	817 41 13-12	BOLT 13-16 X .75
7	532 19 66-88	THREADED CLIP
8	532 44 22-50	SCREW 1/4-20 X .75
9	532 44 42-62	SCREW 1/4-20 X 1.5
10	580 83 35-01	EXHAUST PLATE
11	819 09 10-16	WASHER FLAT 1/4 SAE

NOTE: All component dimensions given in U.S. inches. 1 inch = 25.4 mm
IMPORTANT: Use only Original Equipment Manufacturer (O.E.M.) replacement parts.
 Failure to do so could be hazardous, damage your snow thrower and void your warranty.

REPAIR PARTS SNOW THROWER - - MODEL NUMBER ST 53E (96181001100)

SHROUD ASSEMBLY

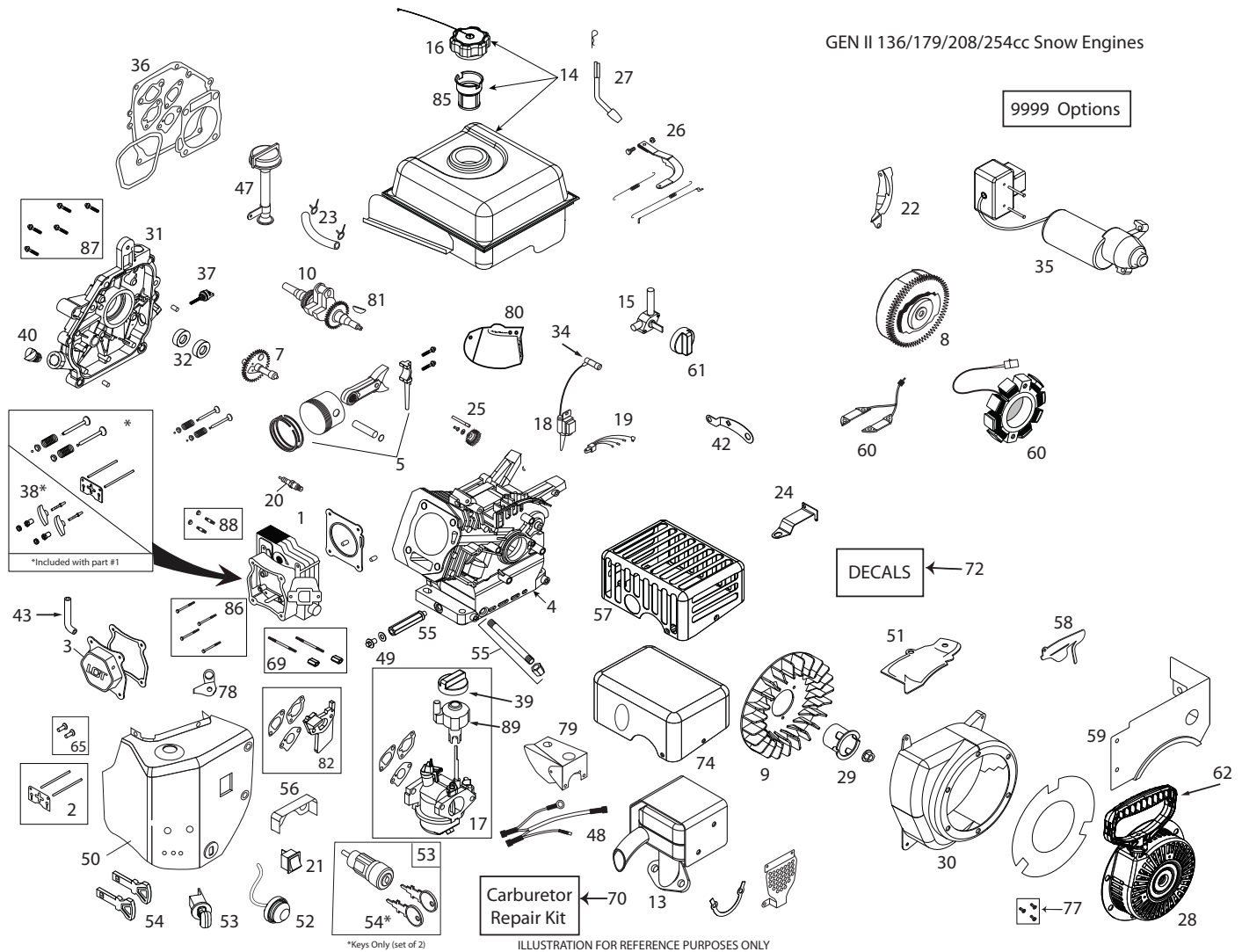


KEY NO.	PART NO.	DESCRIPTION
1	532 44 33-99	TOP COVER
2	532 43 76-44	REAR UPPER COVER
3	817 41 13-12	BOLT 13-16 X .75
4	532 19 66-88	THREADED CLIP
5	532 43 48-68	TRIM CLIP
6	580 98 26-01	FUEL TANK ASSEMBLY
7	532 14 68-48	CABLE TIE
8	581 07 55-01	FUEL CAP/GASKET
9	532 44 46-49	CABLE TIE

NOTE: All component dimensions given in U.S. inches. 1 inch = 25.4 mm
IMPORTANT: Use only Original Equipment Manufacturer (O.E.M.) replacement parts.
 Failure to do so could be hazardous, damage your snow thrower and void your warranty.

REPAIR PARTS SNOW THROWER - - MODEL NUMBER ST 53E (96181001100) ENGINE, LCT

COMPLETE ENGINE-585742606



KEY PART NO. NO.

DESCRIPTION

1	587 17 68-01	CYLINDER HEAD ASSEMBLY - 179CC (INCL. GASKET)
2	532 42 05-79	PUSH ROD & PLATE KIT (136CC) (INCL. VALVE COVER GSKT)
3	587 17 69-01	VALVE COVER (179/208CC)(INCL. GASKET)
4	587 17 70-01	CYLINDER ASSEMBLY (179CC SNOW)
5	587 17 71-01	PISTON & ROD ASSEMBLY (136CC)
7	587 17 72-01	CAMSHAFT - MCR (179CC) (INCL. COVER GASKET)

KEY PART NO. NO.

DESCRIPTION

8	532 42 92-36	FLYWHEEL - MANUAL START (136/179CC)
9	532 42 05-86	COOLING FAN - FLYWHEEL (PLASTIC - 136CC)
10	587 17 61-01	CRANKSHAFT (#18 KEYED 136CC SNOW)
13	587 17 73-01	MUFFLER KIT (179CC) SNOW
14	532 43 65-64	FUEL TANK ASSY (BLACK) (136/179CC)(2.7L SNOW)(ORDER DECAL KIT SEPARATE)
15	532 42 92-34	FUEL TANK ON/OFF VALVE - GEN II SNOW

NOTE: All component dimensions given in U.S. inches. 1 inch = 25.4 mm
IMPORTANT: Use only Original Equipment Manufacturer (O.E.M.) replacement parts. Failure to do so could be hazardous, damage your snow thrower and void your warranty.

REPAIR PARTS SNOW THROWER - - MODEL NUMBER ST 53E (96181001100) ENGINE, LCT COMPLETE ENGINE-585742606

KEY PART NO.	PART NO.	DESCRIPTION	KEY PART NO.	PART NO.	DESCRIPTION
16	532 42 49-42	FUEL TANK CAP - BLACK CLLCK STYLE (VENTED)	49	532 43 54-95	OIL DRAIN PLUG W/WASHER (136/208/254CC)
17	587 17 75-01	CARBURETOR (L17D) (GEN II SNOW 179CC- W/GSKTS & SPACER)	50	532 43 65-61	HEATER BOX (179CC) MATTE BLACK
18	532 44 39-34	IGNITION COIL (CDI) (208/254CC) (STANDARD)	51	532 43 71-19	SHIELD - CYLLNDER (136CC SNOW)
20	532 42 49-39	SPARK PLUG	52	532 42 49-49	PRIMER BULB WITH HOSE-SNOW
22	587 17 76-01	SHIELD - FLYWHEEL - MANUAL START (136CC)	53	587 14 00-01	KEY SWITCH (INCL. KEYS) (ON/OFF) (PW7)
23	532 43 21-44	FUEL HOSE KIT (1/4" ID X 318MM - SS SNOW)	54	587 14 01-01	KEY SET (2) (RED) PW7 SNOW
24	587 17 77-01	SPEED CONTROL BRACKET (FIXED)	55	587 15 44-01	OIL DRAIN TUBE-SNOW (179CC)
25	532 42 96-46	GOVERNOR GEAR ASSEMBLY (136/208CC)	57	587 17 81-01	CE COMPLIANT MUFFLER SHIELD (136CC PTO-SIDE PW7)
26	532 43 80-03	GOVERNOR ARM & LINK KIT (136CC SNOW)	58	587 17 82-01	SHIELD - GOVERNOR LINKAGE-SNOW
27	532 43 80-04	GOVERNOR ARM PADDLE	59	532 43 65-62	FUEL TANK SKIRT (179CC SNOW) MATTE BLACK
28	532 42 49-62	RECOIL STARTER (BLACK SNOW) (SINGLE-STAGE 78-INCH ROPE)(ORDER DECAL KIT SEPE-RATE)	61	532 43 27-52	FUEL CONTROL KNOB (GEN II SNOW - RED)
29	532 42 49-66	STARTER CUP (136/179CC SNOW)	62	532 42 49-68	STARTER GRIP-SNOW
30	587 17 78-01	BLOWER HOUSING - BLACK MA-NUALSTART (179CC SS SNOW)	65	581 37 27-01	TAPPET KIT (136CC)(SET OF 2)
31	587 17 79-02	CRANKCASE COVER ASSY (179CC WITH PRESSED IN OIL-FILL TUBE)	69	532 42 49-51	CARBURETOR STUDS & COU-PLLNG KIT-SNOW
32	532 42 95-99	OIL SEAL KIT (179CC)	70	580 35 36-01C	CARBURETOR REPAIR KIT (136/208/254CC)
34	532 43 69-66	SPARK PLUG BOOT - WITH METAL SHIELD (SNOW)	74	587 17 85-01	MUFFLER HEAT SHIELD CO-VER (BLACK - PTO SIDE EX.) (136/208CC)
36	532 43 80-13	ENGINE GASKET KIT (136CC)	77	532 43 26-88	RECOIL BOLT KIT (INCL. (3) MTG BOLTS)
37	532 42 09-61	SMALL BLACK OIL DIPSTICK (PLASTIC)	78	581 45 93-01	BREATHER TUBE BRACKET
38	532 43 80-10	ROCKER ARM KIT (136CC)(INCL. GASKET)	79	585 77 37-01	CARBURETOR COVER (136/179/208/254CC SNOW)
39	532 42 92-24	CHOKE CONTROL KNOB (GEN II RED)	80	587 17 86-01	TOP SHIELD (179CC SNOW)
43	580 35 34-01	BREATHER TUBE (136/208/254CC)	81	585 29 72-02	WOODRUFF FLYWHEEL KEY (5-PACK) (4X6X18MM)
47	587 17 80-01	HIGH OIL FILL TUBE (179CC, SNOW)	82	585 02 05-04	CARBURETOR SPACER (136CC)
48	532 42 92-62	WIRE HARNESS	85	583 02 56-01	FUEL TANK STRAINER
			86	586 32 73-01	CYLINDER HEAD BOLT KIT (4) (136-179-208-254CC)
			87	586 32 71-01	CC COVER BOLT KIT (7) (136CC)
			88	586 32 68-01	MUFFLER MTG STUD KIT (2)
			9999	586 32 63-01	HIGH ALTITUDE JET (>5,000 FEET)(136CC L13 CARBURETOR)

NOTE: All component dimensions given in U.S. inches. 1 inch = 25.4 mm
IMPORTANT: Use only Original Equipment Manufacturer (O.E.M.) replacement parts.
 Failure to do so could be hazardous, damage your snow thrower and void your warranty.

