

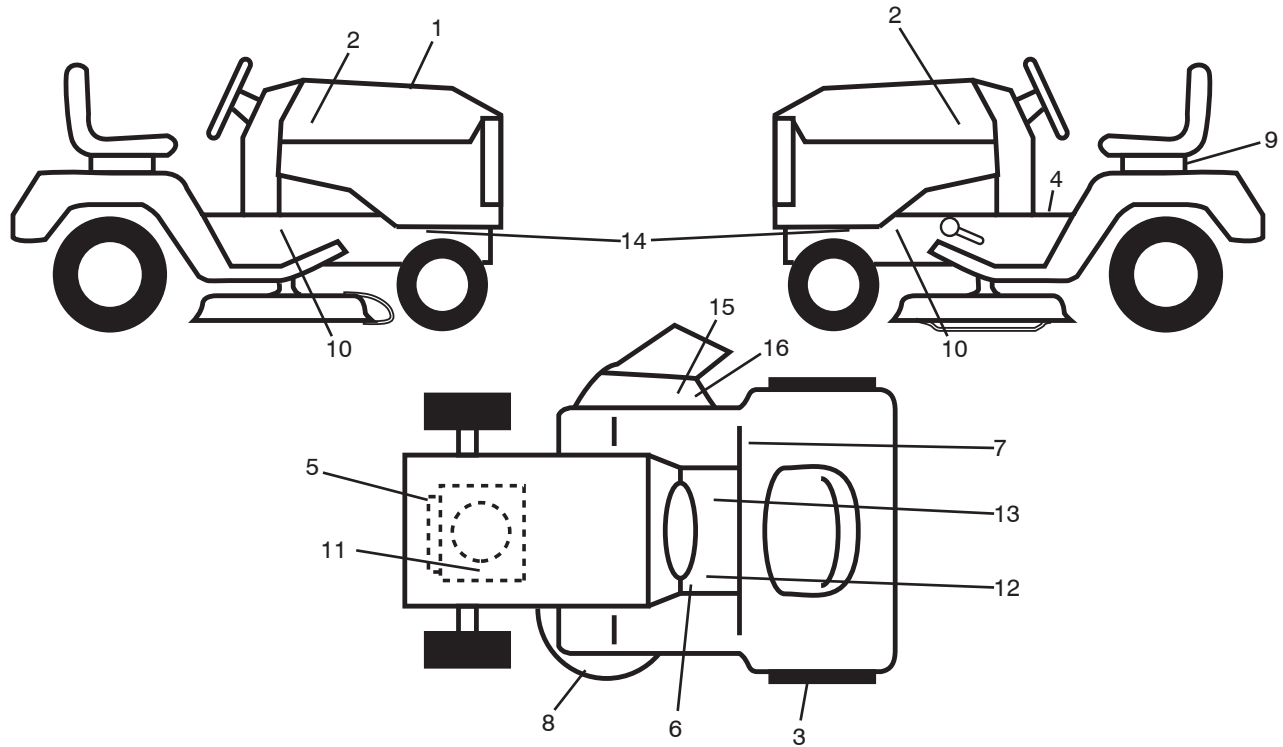
# **ILLUSTRATED PARTS LIST**

**MODEL NO. 96041029301**

**CUSTOMER CATALOG NO. M145-107T**

**PRODUCT NO. 960 41 02-93**

**TRACTOR - - MODEL NO. M145-107T (96041029301), PRODUCT NO. 960 41 02-93  
DECALS 27**

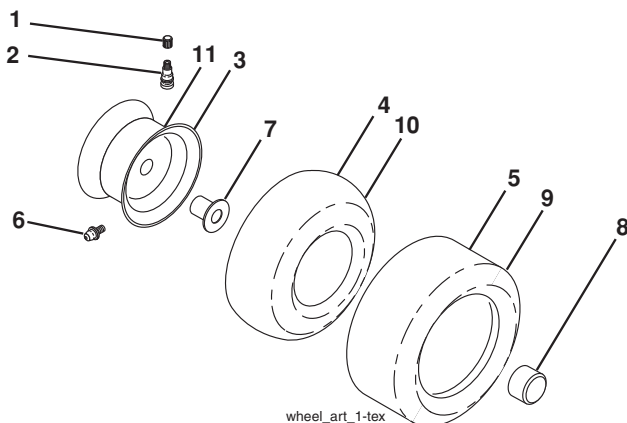


**KEY PART  
NO. NO.**

**DESCRIPTION**

|    |              |                            |    |              |                                   |
|----|--------------|----------------------------|----|--------------|-----------------------------------|
| 1  | 584 22 04-01 | Decal, RPL.                | 12 | 581 57 86-01 | Decal, Brake/Clutch Symbol        |
| 2  | 581 09 12-01 | Decal, Hood LH/RH          | 13 | 581 57 80-01 | Decal, Saddle Brake Parking       |
| 3  | 581 92 56-01 | Decal, Fender              | 14 | 581 57 98-01 | Decal, Warning Service/Fire       |
| 4  | 581 57 81-01 | Decal, Oper/Wrng.          | 15 | 581 57 91-01 | Decal, Cutfinger                  |
| 5  | 532 43 74-12 | Decal, Engine HP           | 16 | 581 57 92-01 | Decal, Deflect Wrn. Cutfinger Sym |
| 6  | 581 72 40-01 | Decal, Fender Brake Clutch | -- | 581 72 48-01 | Decal, Bypass Fender              |
| 7  | 581 72 41-01 | Decal, Fender 100 DB       | -- | 581 72 46-01 | Decal, Drawbar Load Limit         |
| 8  | 581 58 00-01 | Decal, V-Belt Schematic    | -- | 532 40 95-05 | Pad, Footrest, LH                 |
| 9  | 532 14 50-05 | Decal, Battery Dnge/Poi    | -- | 532 40 95-07 | Pad, Footrest, RH                 |
| 10 | 581 57 96-01 | Decal, Chassis Hot Muffler | -- | 584 23 67-26 | Manual Oper. Euro                 |
| 11 | 581 57 97-01 | Decal, Warning Eng Symbols |    |              |                                   |

**WHEELS & TIRES**



**KEY PART  
NO. NO.**

**DESCRIPTION**

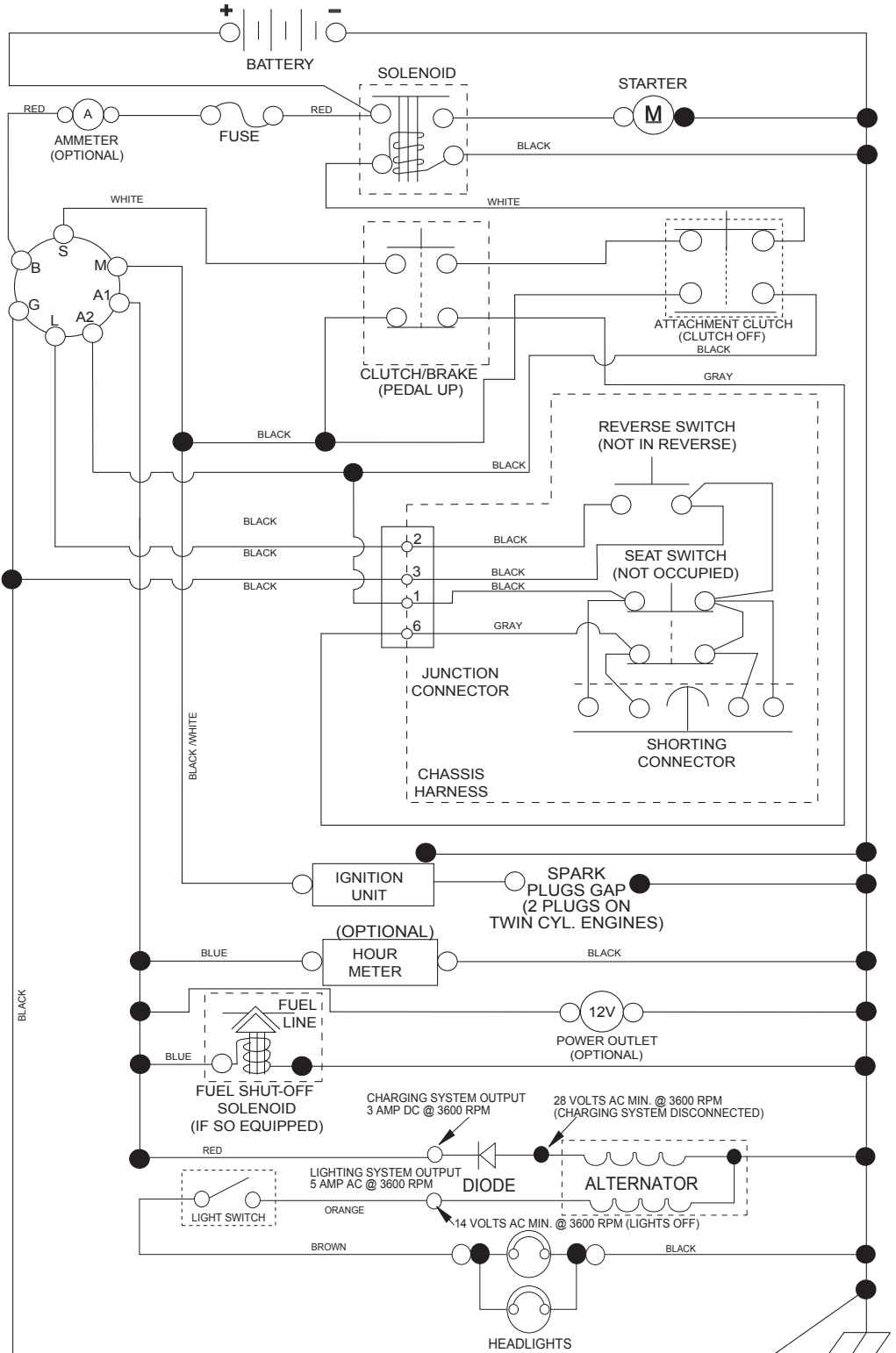
|    |              |                             |
|----|--------------|-----------------------------|
| 1  | 532 05 91-92 | Cap, Valve, Tire            |
| 2  | 532 06 51-39 | Stem, Valve                 |
| 3  | 532 12 51-21 | Rim Assembly, Front         |
| 4  | 532 05 99-04 | Tube, Front                 |
| 5  | 532 10 62-22 | Tire, Front                 |
| 6  | 532 12 49-57 | Fitting, Grease             |
| 7  | 532 12 49-59 | Bearing, Flange             |
| 8  | 532 19 32-68 | Cap, Axle                   |
| 9  | 532 12 46-35 | Tire, Rear                  |
| 10 | 532 12 49-26 | Tube, Rear                  |
| 11 | 532 12 51-22 | Rim Assembly, Rear          |
| -- | 532 14 43-34 | Sealant, Tire (10 oz. Tube) |

**NOTE:** All component dimensions given in U.S. inches  
1 inch = 25.4 mm

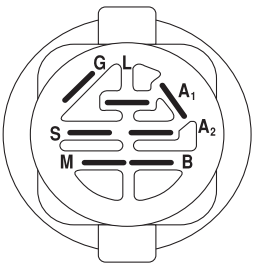
# TRACTOR - - MODEL NO. M145-107T (96041029301), PRODUCT NO. 960 41 02-93

## SCHEMATIC **38**

SCH11

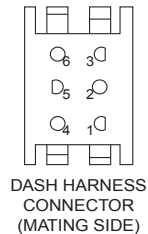
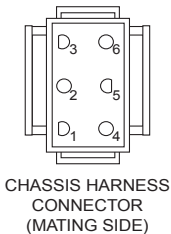


**NOTE**  
YOUR TRACTOR IS EQUIPPED WITH A SPECIAL ALTERNATOR SYSTEM. THE LIGHTS ARE NOT CONNECTED TO THE BATTERY, BUT HAVE THEIR OWN ELECTRICAL SOURCE. BECAUSE OF THIS, THE BRIGHTNESS OF THE LIGHTS WILL CHANGE WITH ENGINE SPEED. AT IDLE THE LIGHTS WILL DIM. AS THE ENGINE IS SPEEDED UP, THE LIGHTS WILL BECOME THEIR BRIGHTEST.

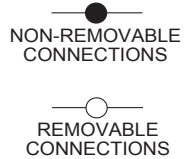


IGNITION SWITCH

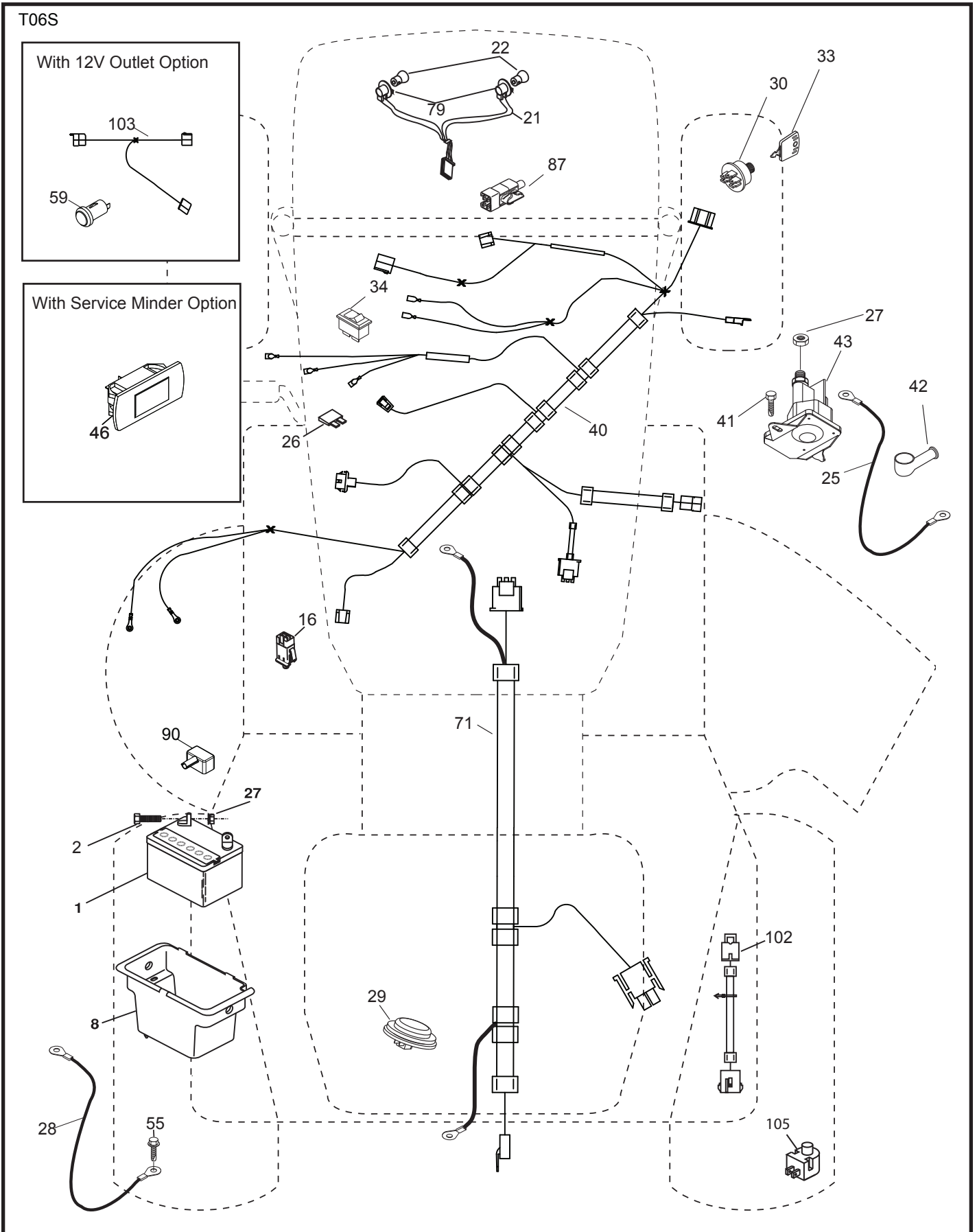
| POSITION     | CIRCUIT    | "MAKE" |
|--------------|------------|--------|
| OFF          | M+G+A1     |        |
| RUN/OVERRIDE | B+A1       |        |
| RUN          | B+A1       | L+A2   |
| START        | B + S + A1 |        |



WIRING INSULATED CLIPS  
NOTE: IF WIRING INSULATED CLIPS WERE REMOVED FOR SERVICING OF UNIT, THEY SHOULD BE RE-INSTALLED TO PROPERLY SECURE YOUR WIRING.



TRACTOR - - MODEL NO. M145-107T (96041029301), PRODUCT NO. 960 41 02-93  
ELECTRICAL **32**

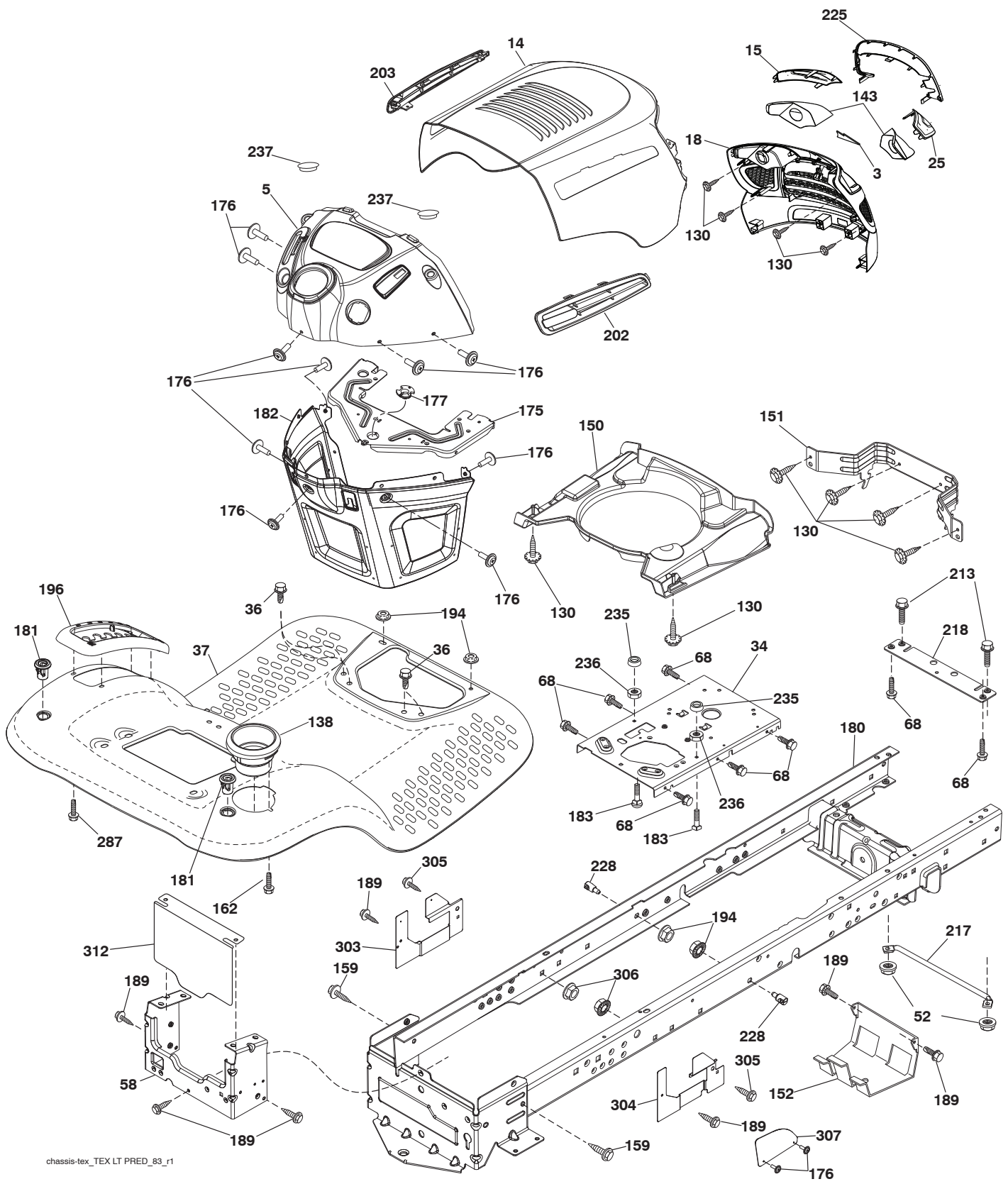


**TRACTOR - - MODEL NO. M145-107T (96041029301), PRODUCT NO. 960 41 02-93  
ELECTRICAL 32**

| KEY<br>NO. | PART<br>NO.  | DESCRIPTION                      |
|------------|--------------|----------------------------------|
| 1          | 532 16 34-65 | Battery                          |
| 2          | 874 76 04-12 | Bolt Hex Hd. 1/4-20 unc x 3/4    |
| 8          | 532 19 32-28 | Box Battery                      |
| 16         | 532 17 61-38 | Switch Interlock Push-In         |
| 21         | 532 40 02-52 | Harness Socket Light w/4152J     |
| 22         | 532 00 41-52 | Bulb Light                       |
| 25         | 532 41 28-94 | Cable Starter                    |
| 26         | 532 17 51-58 | Fuse                             |
| 27         | 873 51 04-00 | Nut Keps Hex 1/4-20 unc          |
| 28         | 532 19 88-85 | Cable, Ground                    |
| 29         | 532 40 15-45 | Switch, Seat                     |
| 30         | 532 19 33-50 | Switch, Ign.                     |
| 33         | 532 41 19-35 | Key/Chain                        |
| 34         | 532 11 07-12 | Switch Light/Reset               |
| 40         | 532 40 10-98 | Harness Ign. Dash                |
| 41         | 817 72 04-08 | Screw Thd. Cut 1/4-20 x 1/2      |
| 42         | 532 13 15-63 | Cover, Terminal                  |
| 43         | 532 19 25-07 | Solenoid                         |
| 55         | 817 06 05-12 | Screw Thdrol. 5/16-18 x 3/4 TYTT |
| 71         | 532 44 15-44 | Harness Ign. Chassis             |
| 79         | 532 17 52-42 | Bulbholder Asm. Incandescent     |
| 87         | 532 19 78-02 | Switch Interlock Clutch          |
| 90         | 532 43 53-95 | Cover Terminal Battery           |
| 102        | 532 40 44-54 | Harness Pigtail                  |
| 105        | 532 40 75-68 | Switch Reverse                   |

**NOTE:** All component dimensions given in U.S. inches  
1 inch = 25.4 mm

TRACTOR -- MODEL NO. M145-107T (96041029301), PRODUCT NO. 960 41 02-93  
CHASSIS AND ENCLOSURES **39**



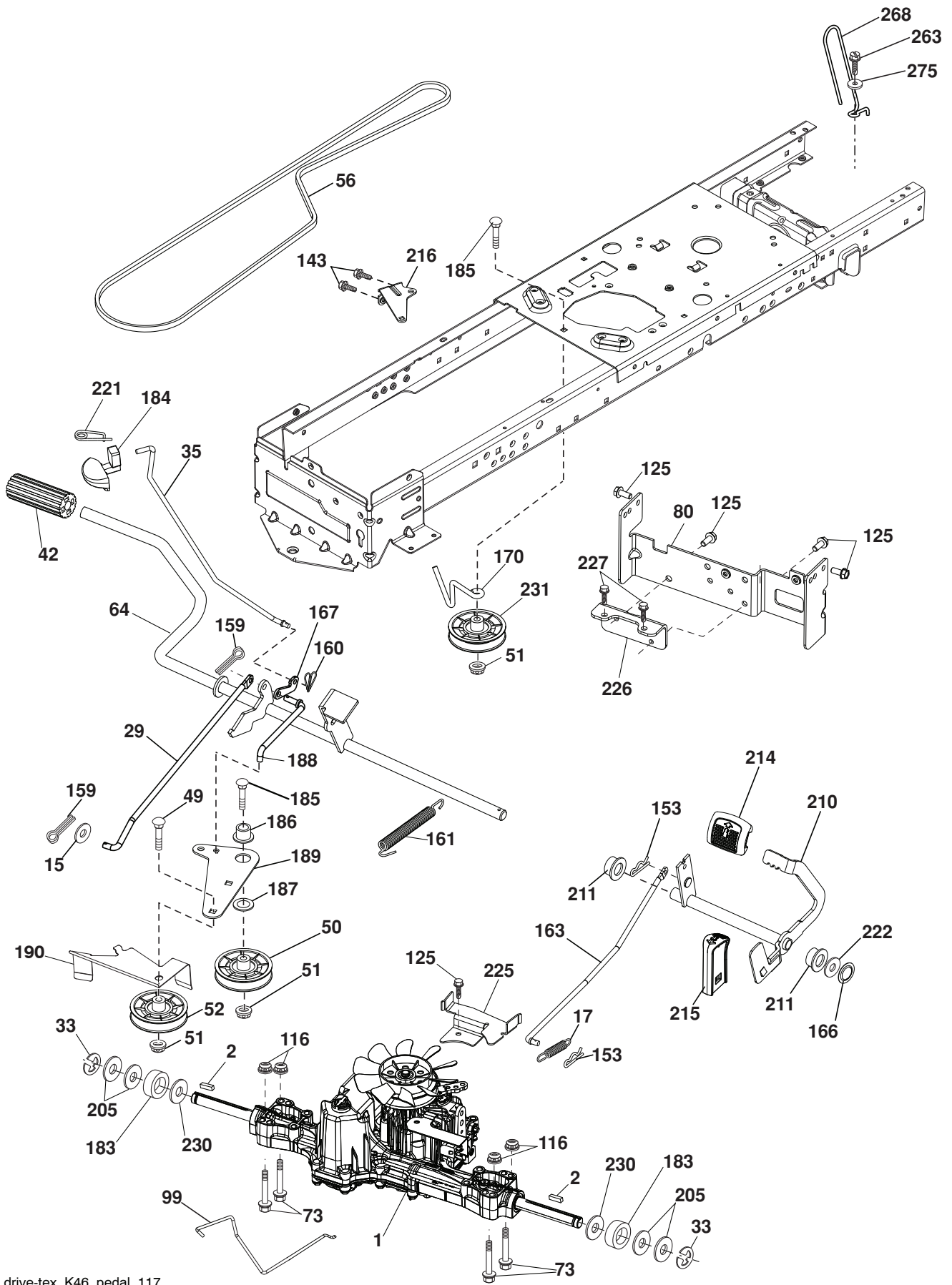
chassis-tex\_TEX LT PRED\_83\_r1

**TRACTOR - - MODEL NO. M145-107T (96041029301), PRODUCT NO. 960 41 02-93  
CHASSIS AND ENCLOSURES **39****

| <b>KEY<br/>NO.</b> | <b>PART<br/>NO.</b> | <b>DESCRIPTION</b>              |
|--------------------|---------------------|---------------------------------|
| 3                  | 578 89 71-01        | Emblem Mount                    |
| 5                  | 532 40 95-97        | Dash                            |
| 14                 | 581 56 47-01        | Hood                            |
| 15                 | 581 05 58-01        | Lens LH                         |
| 18                 | 581 05 57-01        | Grille                          |
| 25                 | 581 05 59-01        | Lens RH                         |
| 34                 | 580 91 08-01        | Plate Engine                    |
| 36                 | 817 06 05-12        | Screw 5/16-18 x 3/4             |
| 37                 | 532 42 07-96        | Fender                          |
| 52                 | 873 68 05-00        | Nut lock 5/16-18                |
| 58                 | 532 41 22-80        | Drawbar, Upper 2 Pc.            |
| 68                 | 817 49 05-08        | Screw Thdrol. 5/16-18 x 1/2     |
| 130                | 532 41 63-58        | Screw #10 x 0.750               |
| 138                | 532 40 97-30        | Cupholder                       |
| 143                | 581 05 60-01        | Reflector Insert LH/RH          |
| 150                | 532 40 02-67        | Duct Heat Hood                  |
| 151                | 532 18 75-68        | Bracket Pivot                   |
| 152                | 532 19 95-35        | Shield Browning                 |
| 159                | 817 00 06-12        | Screw Hexwsh Thdr 3/8-16 x 3/4  |
| 162                | 532 14 24-32        | Screw Hex Wsh. Hi-Lo 1/4 x 1/2  |
| 175                | 532 19 94-72        | Crossmember                     |
| 176                | 532 40 07-76        | Screw 10-24 x 5/8 Wshd. Qdrx.   |
| 177                | 532 19 52-28        | Bushing Steering                |
| 180                | 532 41 50-63        | Chassis                         |
| 181                | 532 40 47-96        | Bushing Mtg. Fender Crgo.       |
| 182                | 532 40 71-76        | Dash Lower                      |
| 183                | 874 52 05-20        | Bolt 5/16-18 x 1-1/4            |
| 189                | 817 00 05-12        | Screw 5/16-18 x 3/4             |
| 194                | 873 90 05-00        | Nut Lock Hex Flange 5/16-18     |
| 196                | 532 41 45-79        | Console Asm. Deck Lift          |
| 202                | 581 56 49-01        | Vent Hood RH                    |
| 203                | 581 56 48-01        | Vent Hood LH                    |
| 213                | 874 76 05-12        | Bolt Hex Hd. 5/16-18 unc x 3/4  |
| 217                | 532 40 91-67        | Rod Pivot Chassis               |
| 218                | 532 19 63-95        | X-Piece Hood Stop               |
| 225                | 581 05 62-01        | Trim Ring                       |
| 228                | 532 19 51-61        | Stud Fastener                   |
| 235                | 532 40 61-29        | Spacer Fender                   |
| 236                | 873 93 05-00        | Nut center Lock 5/16-18         |
| 237                | 532 40 37-04        | Plug Mount Cargo                |
| 287                | 817 60 04-06        | Screw 1/4-20 x 3/8              |
| 303                | 532 42 09-59        | Shield Chassis French LH        |
| 304                | 532 42 15-09        | Shield Chassis French RH        |
| 305                | 872 11 06-06        | Bolt RDHD SHT SQNK 3/8-16 x 3/4 |
| 306                | 873 90 06-00        | Nut Lock Flg. 3/8-16 unc        |
| 307                | 532 42 45-70        | Shield Upper Pedal              |
| 312                | 532 42 59-26        | Shield Drawbar                  |

**NOTE:** All component dimensions given in U.S. inches  
1 inch = 25.4 mm

TRACTOR -- MODEL NO. M145-107T (96041029301), PRODUCT NO. 960 41 02-93  
DRIVE **40**



drive-tex\_K46\_pedal\_117

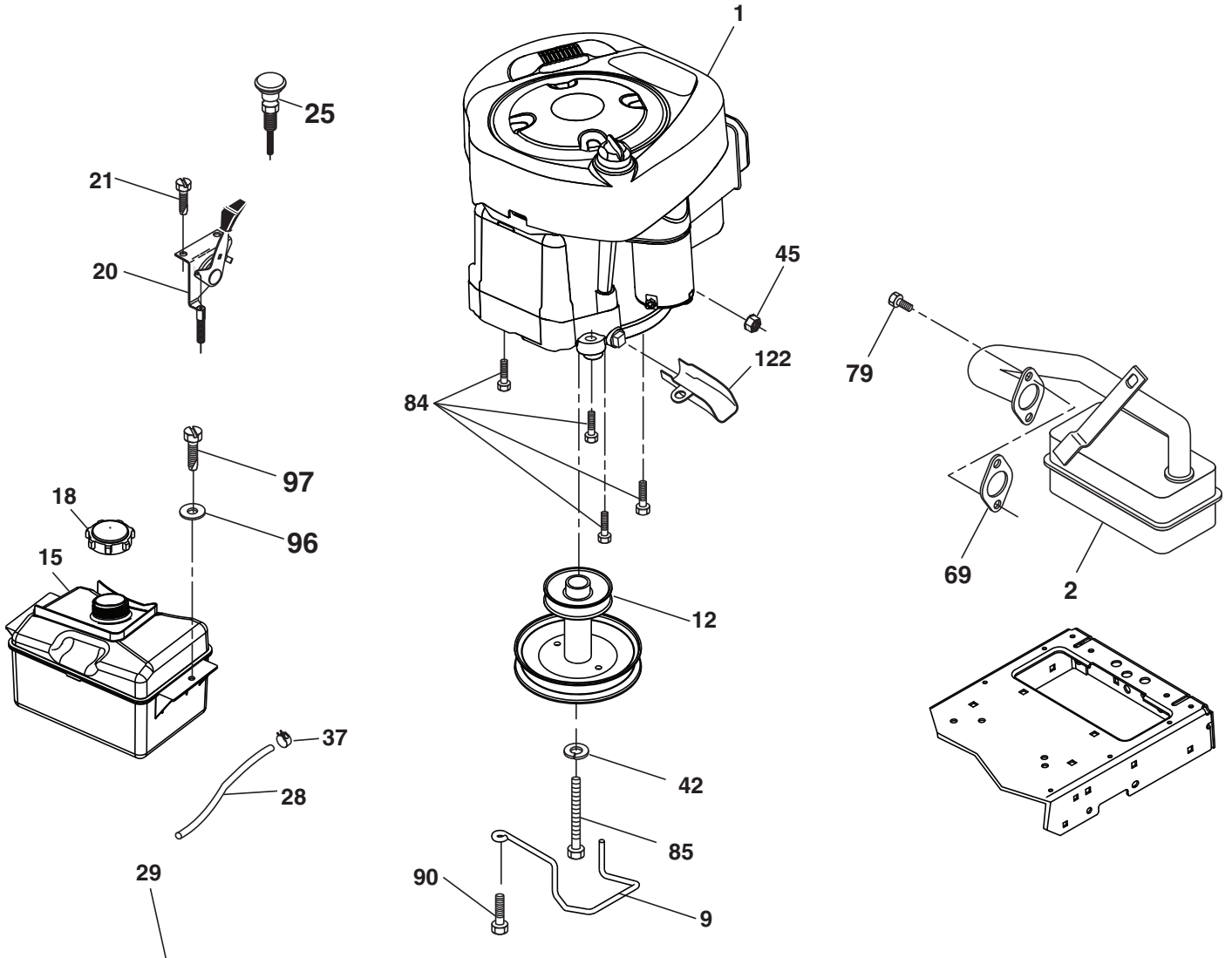


**TRACTOR - - MODEL NO. M145-107T (96041029301), PRODUCT NO. 960 41 02-93  
DRIVE 40**

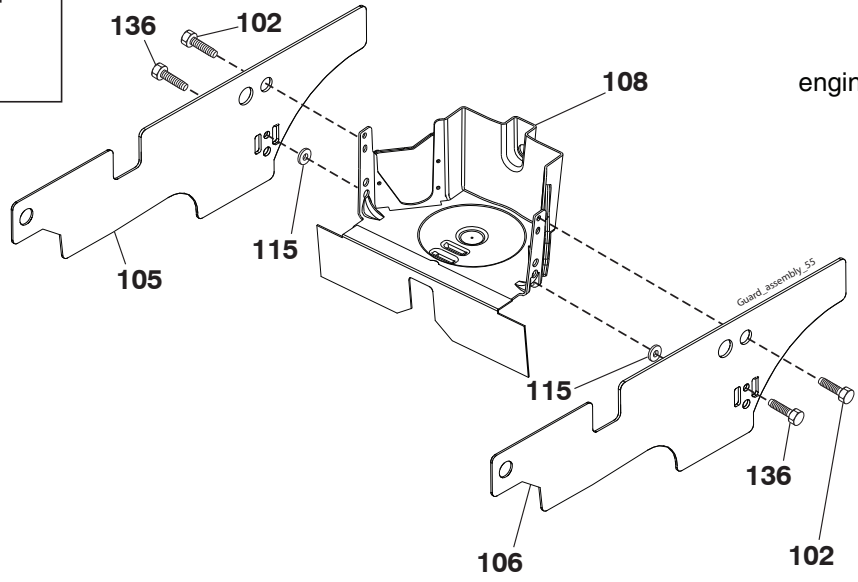
| KEY<br>NO. | PART<br>NO.  | DESCRIPTION   |
|------------|--------------|---|
| 1          | - - - - -    | Transaxle, TUFFTORQ K46 BT (426120) (Order parts from transaxle manufacturer) |
| 2          | 532 12 35-83 | Key   |
| 15         | 819 13 13-16 | Washer 13/32 x 13/16 x 16 Ga.   |
| 17         | 532 41 36-78 | Spring, Brake   |
| 29         | 532 40 38-06 | Rod, Brake  |
| 33         | 812 00 00-01 | Ring E  |
| 35         | 532 40 10-31 | Rod, Brake, Park  |
| 42         | 532 12 48-72 | Cover, Foot Pedal   |
| 49         | 872 11 06-14 | Bolt  |
| 50         | 532 19 43-27 | Pulley Idler Flat   |
| 51         | 873 90 06-00 | Lock Nut 3/8-16   |
| 52         | 532 19 43-26 | Idler V-Groove 910" Offset  |
| 56         | 532 13 09-69 | V-Belt, Drive   |
| 64         | 532 19 78-65 | Shaft Asm. Pedal Brake Control  |
| 73         | 874 49 05-40 | Bolt Hex Flghd 5/16-18 Gr. 5  |
| 80         | 532 44 06-19 | Bracket Strap Torque  |
| 99         | 532 41 57-42 | Rod Spring Bypass   |
| 116        | 873 90 05-00 | Nut Lock Hex Flange 5/16-18   |
| 125        | 817 00 05-12 | Screw 5/16-18 x 3/4   |
| 143        | 817 49 05-08 | Screw 5/16-18 x 1/2   |
| 153        | 532 12 47-88 | Retainer Spring   |
| 159        | 876 02 04-12 | Pin Cotter 1/8 x 3/4  |
| 160        | 532 16 94-84 | Retainer Clip   |
| 161        | 532 10 57-09 | Spring, Return, Clutch  |
| 163        | 532 44 82-75 | Rod Pedal Control   |
| 166        | 532 42 91-64 | Nut Push  |
| 167        | 532 40 52-57 | Latch Brake Parking   |
| 170        | 532 41 34-30 | Keeper Belt Centerspan  |
| 183        | 532 13 70-57 | Spacer Split  |
| 184        | 532 44 14-07 | Handle Parking Brake  |
| 185        | 872 11 06-22 | Bolt RDHD 3/8-16 unc x 2-3/4 Gr. 5  |
| 186        | 532 19 43-21 | Spacer Retainer   |
| 187        | 819 13 32-10 | Washer  |
| 188        | 532 19 43-23 | Link Clutch Ground Drive  |
| 189        | 532 19 43-17 | Bellcrank Ground Drive  |
| 190        | 532 19 43-18 | Keeper Bellcrank Ground Drive   |
| 205        | 532 12 17-48 | Washer  |
| 210        | 532 40 09-80 | Rocker Asm. Pedal Control   |
| 211        | 532 12 01-83 | Bearing Nylon   |
| 214        | 532 42 12-63 | Pedal Forward   |
| 215        | 532 44 82-54 | Pedal Reverse   |
| 216        | 532 19 61-31 | Bracket Pulley Idler  |
| 221        | 532 40 31-87 | Retainer Spring Clip Handle   |
| 222        | 879 21 20-10 | Washer 21/32 x 1-1/4 x 10 Ga.   |
| 225        | 532 40 33-19 | Keeper Belt Trans.  |
| 226        | 532 40 15-64 | Bracket Mount Torque  |
| 227        | 817 49 05-12 | Screw Thdrol 5/16-18 x 3/4  |
| 230        | 532 18 89-67 | Washer Hardened   |
| 231        | 532 40 72-87 | Idler V-Grove 1.688" Offset   |
| 263        | 817 00 06-12 | Screw Hexwsh Thdr 3/8-16 x 3/4  |
| 268        | 532 18 24-02 | Guard Muffler   |
| 275        | 819 13 16-14 | Washer 13/32 x 1 x 14 Ga.   |

**NOTE:** All component dimensions given in U.S. inches  
1 inch = 25.4 mm

**TRACTOR -- MODEL NO. M145-107T (96041029301), PRODUCT NO. 960 41 02-93  
ENGINE 24**



**OPTIONAL EQUIPMENT**  
**Spark Arrester**



engine-tex\_BS\_37

**TRACTOR - - MODEL NO. M145-107T (96041029301), PRODUCT NO. 960 41 02-93  
ENGINE 24**

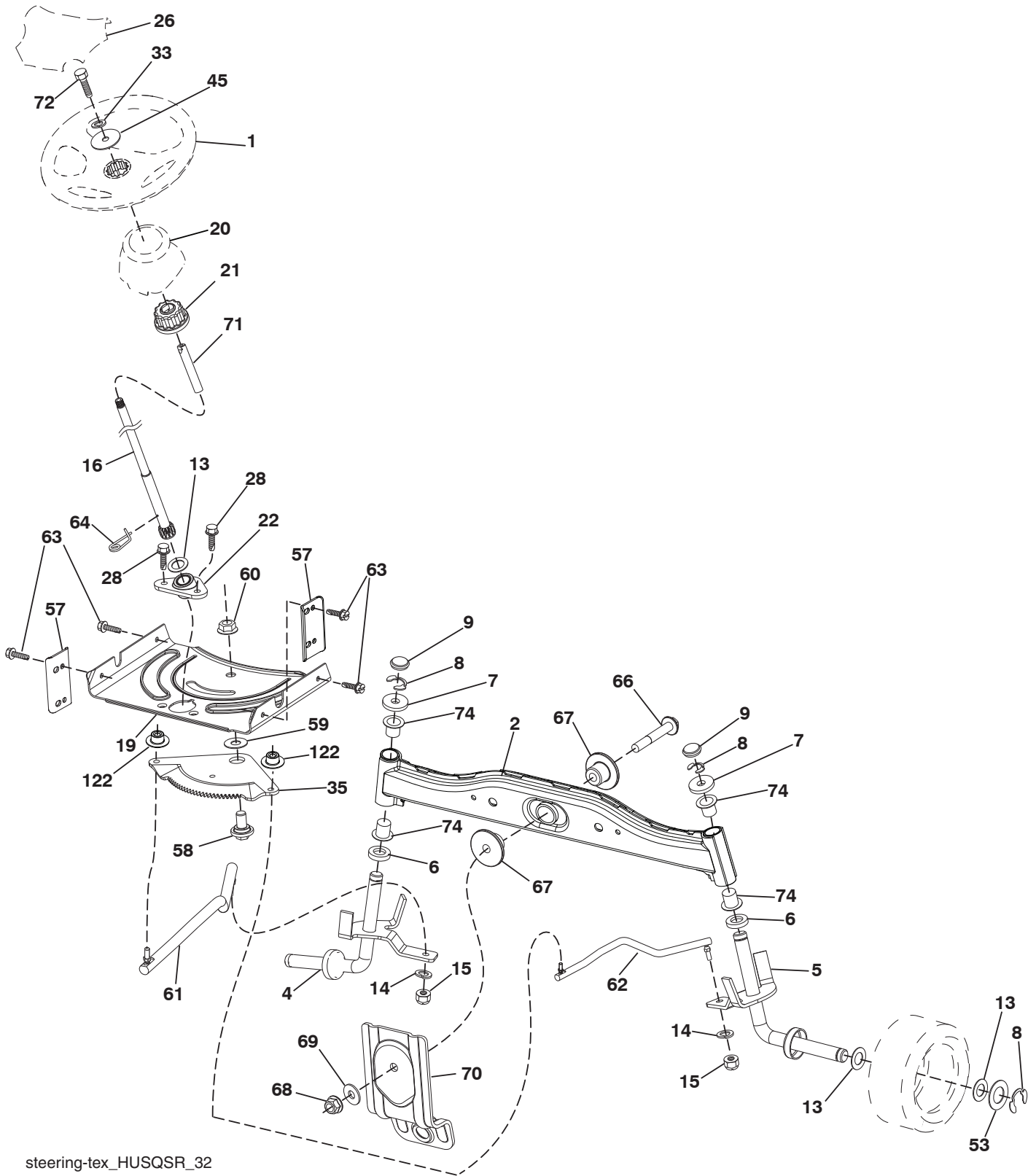
| KEY NO. | PART NO.     | DESCRIPTION   |
|---------|--------------|---|
| 1       | ---          | Engine B&S Model No. 31A507-2391-B1 (438618)(Order parts from engine manufacturer.) |
| 2       | 532 13 73-52 | Muffler   |
| 9       | 532 19 43-20 | Keeper Belt Engine  |
| 12      | 532 40 54-71 | Pulley Engine   |
| 15      | 581 28 99-01 | Tank Fuel   |
| 18      | 532 43 02-20 | Cap Fuel  |
| 20      | 532 18 38-97 | Control Throttle/Choke  |
| 21      | 532 41 63-58 | Screw #10 x 0.750   |
| 25      | 532 19 49-81 | Choke Control   |
| 28      | 532 13 70-40 | Fuel Line   |
| 29      | 532 13 71-80 | Spark Arrester Kit  |
| 37      | 532 12 34-87 | Clamp Hose  |
| 42      | 810 04 07-00 | Washer Lock 7/16  |
| 45      | 873 51 04-00 | Nut Keps Hex 1/4-20 unc   |
| 69      | 532 16 52-91 | Gasket  |
| 79      | 532 19 23-34 | Screw Socket Hd 5/16-18 x .75   |
| 84      | 817 06 06-20 | Screw 3/8-16 x 1-1/4  |
| 85      | 532 17 39-37 | Bolt Hex 7/16-20 x 4 x Gr. 5-1.5  |
| 90      | 817 00 06-16 | Screw 3/8-16 x 1  |
| 96      | 819 09 14-16 | Washer 9/32 x 7/8 x 16 Ga.  |
| 97      | 817 67 04-12 | Screw 1/4-20 x 3/4  |
| 102     | 871 00 05-12 | Screw 5/16-18 x 3/4   |
| 105     | 532 41 05-28 | Shield Side LH  |
| 106     | 532 41 05-29 | Shield Side RH  |
| 108     | 532 42 17-94 | Cover Asm. Engine Pulley  |
| 115     | 532 42 30-62 | Palnut 1/4  |
| 122     | 532 42 19-22 | Extension Drain Oil   |
| 136     | 532 13 77-29 | Screw Thd Roll 1/4-20 x 5/8   |

**NOTE:** All component dimensions given in U.S. inches  
1 inch = 25.4 mm

**Engine Power Rating Information**

The gross power rating for individual gas engine models is labeled in accordance with SAE (Society of Automotive Engineers) code J1940 (Small Engine Power & Torque Rating Procedure), and rating performance has been obtained and corrected in accordance with SAE J1995 (Revision 2002-05). Torque values are derived at 3060 RPM; horsepower values are derived at 3600 RPM. Actual gross engine power will be lower and is affected by, among other things, ambient operating conditions and engine-to-engine variability. Given both the wide array of products on which engines are placed and the variety of environmental issues applicable to operating the equipment, the gas engine will not develop the rated gross power when used in a given piece of power equipment (actual "on-site" or net power). This difference is due to a variety of factors including, but not limited to, accessories (air cleaner, exhaust, charging, cooling, carburetor, fuel pump, etc.), application limitations, ambient operating conditions (temperature, humidity, altitude), and engine-to-engine variability. Due to manufacturing and capacity limitations, Briggs & Stratton may substitute an engine of higher rated power for this Series engine.

TRACTOR - - MODEL NO. M145-107T (96041029301), PRODUCT NO. 960 41 02-93  
STEERING ASSEMBLY **41**



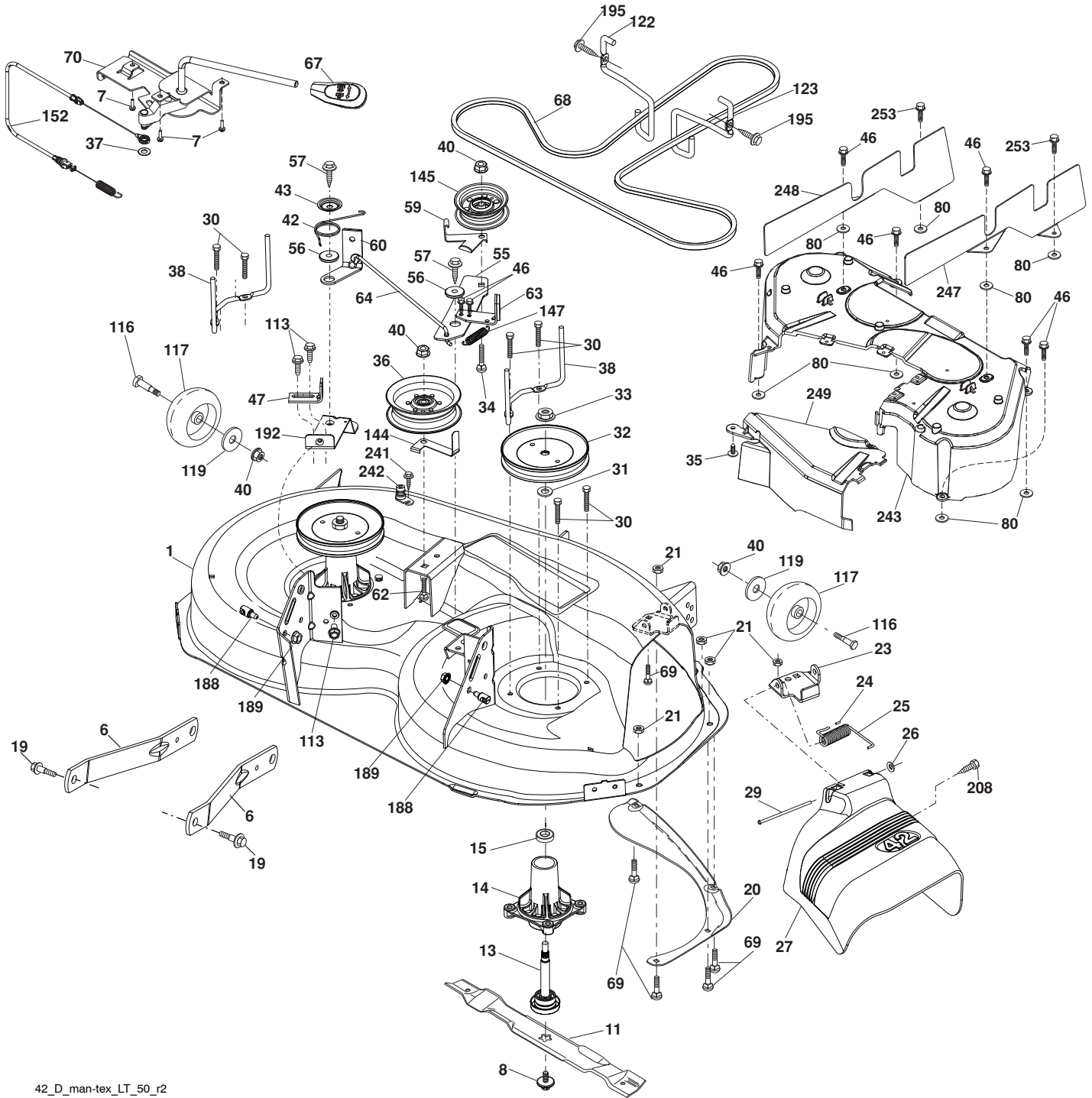
steering-tex\_HUSQSR\_32

**TRACTOR - - MODEL NO. M145-107T (96041029301), PRODUCT NO. 960 41 02-93  
STEERING ASSEMBLY 41**

| KEY<br>NO. | PART<br>NO.  | DESCRIPTION                         |
|------------|--------------|-------------------------------------|
| 1          | 532 44 28-04 | Wheel, Steering                     |
| 2          | 532 41 81-68 | Axle Asm., Front                    |
| 4          | 532 40 30-87 | Spindle Asm., LH                    |
| 5          | 532 40 30-88 | Spindle Asm., RH                    |
| 6          | 532 12 49-31 | Bearing, Race Thrust Harden         |
| 7          | 532 12 17-48 | Washer 25/32 x 1-5/8 x 16 Ga.       |
| 8          | 812 00 00-29 | Ring, Clip #T5304-75                |
| 9          | 532 12 12-32 | Cap, Spindle                        |
| 13         | 532 12 17-49 | Washer 25/32 x 1-1/4 x 16 Ga.       |
| 14         | 810 04 06-00 | Washer, Lock Hvy. Hlcl. Spr. 3/8    |
| 15         | 873 54 06-00 | Nut, Crown Lock 3/8-24 unf          |
| 16         | 532 42 93-73 | Shaft Steering                      |
| 19         | 532 19 47-29 | Plate Steering                      |
| 20         | 532 40 97-63 | Boot, Steering                      |
| 21         | 532 18 67-37 | Adapter, Wheel Steering             |
| 22         | 532 42 05-37 | Steering Support Lower              |
| 26         | 532 44 77-59 | Insert, Wheel Steering              |
| 28         | 817 00 06-12 | Screw 3/8-16 x 3/4                  |
| 33         | 810 04 05-00 | Washer Lock 5/16                    |
| 35         | 532 19 47-32 | Gear, Sector Plate                  |
| 45         | 819 11 38-12 | Washer 11/32 x 2-3/8 x 12 Ga.       |
| 53         | 532 18 89-67 | Washer Hardened .793 x 1.637 x .060 |
| 57         | 532 40 74-65 | Bracket Upstop                      |
| 58         | 532 19 47-47 | Bolt Shoulder Sector Pivot CFM      |
| 59         | 532 19 47-48 | Washer Thrust Sector Steering       |
| 60         | 873 97 10-00 | Nut Flange Lock 5/8-11              |
| 61         | 532 19 47-40 | Draglink LH                         |
| 62         | 532 19 47-41 | Draglink, RH                        |
| 63         | 817 00 05-12 | Screw 5/16-18 x 3/4                 |
| 64         | 532 19 98-49 | Retainer Clip Spring Steering       |
| 66         | 871 02 07-48 | Bolt Hex Fghd. 7/16-14 x 3 Serr.    |
| 67         | 532 19 47-37 | Bushing PM Front Axle               |
| 68         | 873 90 07-00 | Nut Lock Flange 7/16-14 Gr. 5       |
| 69         | 532 19 91-62 | Washer 1.5 x .505 x .118            |
| 70         | 532 19 61-97 | Bracket Deck Susp. Front            |
| 71         | 532 19 07-52 | Shaft Ext. Steering                 |
| 72         | 532 42 89-82 | Bolt 5/16-18 x 4 w/Patch            |
| 74         | 532 12 49-37 | Bearing                             |
| 122        | 532 44 49-62 | Cap Gear Sector                     |

**NOTE:** All component dimensions given in U.S. inches  
1 inch = 25.4 mm

TRACTOR - - MODEL NO. M145-107T (96041029301), PRODUCT NO. 960 41 02-93  
MOWER DECK **44**



42\_D\_man-tex\_LT\_50\_r2

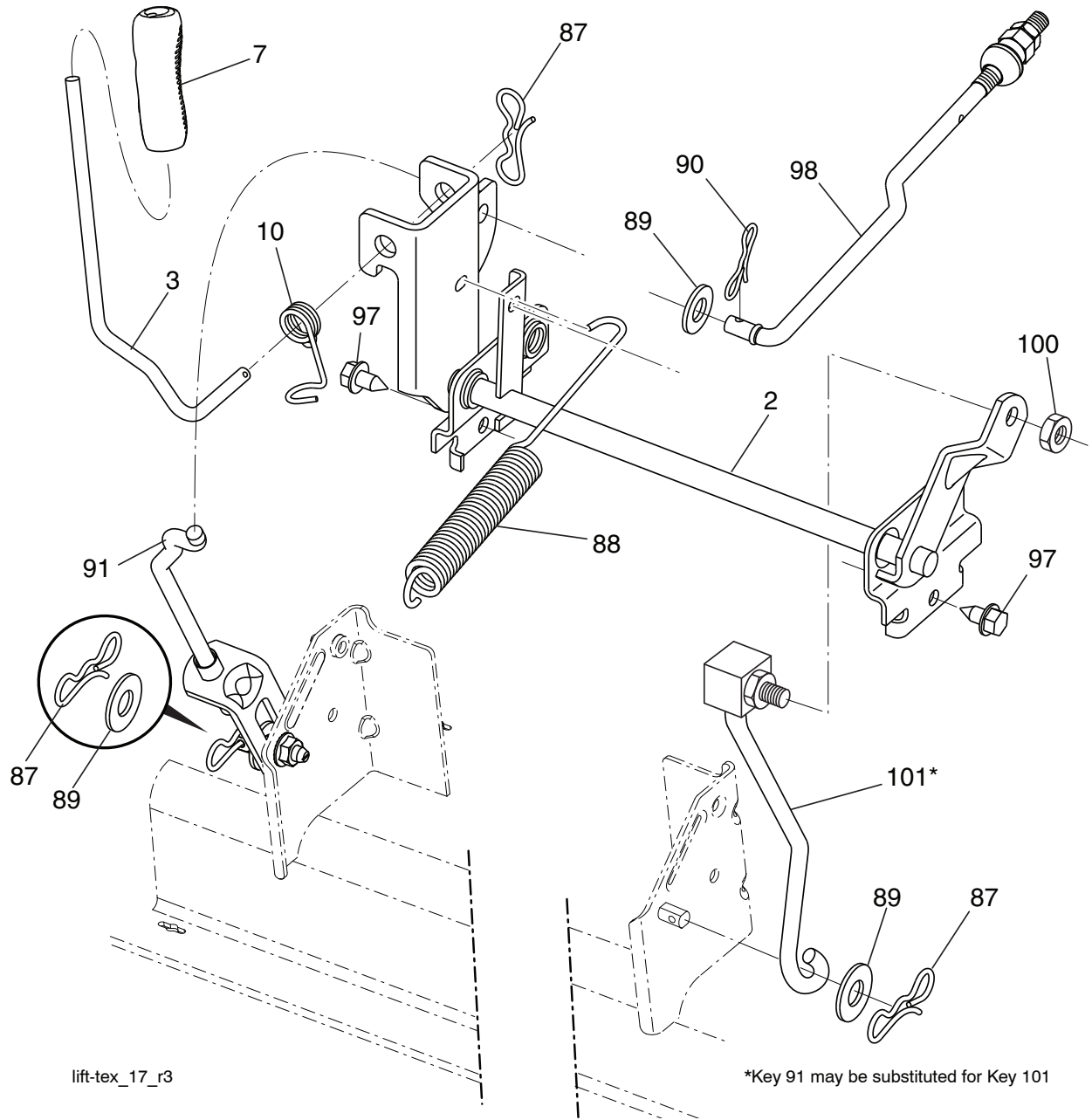
**TRACTOR - - MODEL NO. M145-107T (96041029301), PRODUCT NO. 960 41 02-93  
MOWER DECK 44**

| KEY<br>NO. | PART<br>NO.  | DESCRIPTION                                   | KEY<br>NO. | PART<br>NO.  | DESCRIPTION  |
|------------|--------------|---|------------|--------------|--|
| 1          | 532 19 64-95 | Mower Housing                                 | 67         | 532 40 30-12 | Handle, Clutch Cable   |
| 6          | 532 19 51-86 | Arm Suspension                                | 68         | 532 42 96-36 | V-Belt   |
| 7          | 532 41 63-58 | Screw #10 x 0.750                             | 69         | 872 14 05-05 | Bolt Rdhd. Sqnk. 5/16-18 x 5/8   |
| 8          | 532 19 30-03 | Bolt/Washer Asm. 7/16-20 unf                  | 70         | 532 40 12-46 | Clutch Asm. Manual   |
| 11         | 532 13 89-71 | Blade, 42" Hi-Lift (For bagging or discharge) | 80         | 532 42 30-62 | Palnut 1/4   |
| 13         | 532 19 28-72 | Shaft Assembly, Mandrel                       | 113        | 817 00 05-10 | Screw 5/16-18  |
| 14         | 532 18 72-81 | Housing, Mandrel                              | 116        | 532 12 48-42 | Bolt, Shoulder   |
| 15         | 532 11 04-85 | Bearing, Ball, Mandrel                        | 117        | 532 18 86-06 | Wheel, Gauge   |
| 19         | 532 19 65-39 | Bolt, Shoulder                                | 122        | 532 19 72-58 | Keeper Belt Eng. LH  |
| 20         | 532 15 97-70 | Baffle, Vortex                                | 123        | 532 19 72-59 | Keeper Belt Eng. RH  |
| 21         | 873 68 05-00 | Nut Crown Lock 5/16-18                        | 144        | 532 19 92-04 | Keeper Belt  |
| 23         | 532 19 25-57 | Bracket, Deflector                            | 145        | 532 19 31-97 | Pulley, Idler, Flat  |
| 24         | 532 10 53-04 | Cap, Sleeve                                   | 147        | 532 40 19-71 | Spring Return  |
| 25         | 532 19 70-26 | Spring, Torsion, Deflector                    | 152        | 532 43 51-11 | Cable Clutch Manual w/Spr.   |
| 26         | 532 11 04-52 | Nut, Push                                     | 188        | 532 19 51-61 | Stud Fastener  |
| 27         | 532 41 14-85 | Shield, Deflector                             | 189        | 873 90 05-00 | Nut Lock Hex Flange  |
| 29         | 532 13 14-91 | Rod, Hinge                                    | 192        | 532 19 72-60 | Bracket Brake Stand LH   |
| 30         | 532 17 39-84 | Screw Thdrol. Rolling Wsh. Hd.                | 195        | 817 00 06-12 | Screw Hex Wsh. Thdrol. 3/8-16x3/4  |
| 31         | 532 18 76-90 | Washer, Spacer                                | 196        | 819 12 14-14 | Washer 13/32 x 7/8 x 14 Ga.  |
| 32         | 532 19 74-73 | Pulley, Mandrel                               | 241        | 532 15 29-27 | Screw  |
| 33         | 532 40 02-34 | Nut, Toplock, Flanged                         | 242        | 532 41 55-98 | Port Washout   |
| 34         | 872 11 06-12 | Bolt Carr. Sh. 3/8-16 x 1-1/2 Gr. 5           | 243        | 532 43 23-94 | Cover Deck 42"   |
| 35         | 532 13 38-35 | Fastener                                      | 247        | 532 43 23-93 | Shield Deck RH   |
| 36         | 532 19 73-79 | Pulley Idler                                  | 248        | 532 43 23-92 | Shield Deck LH   |
| 37         | 819 13 13-16 | Washer 13/32 x 13/16 x 16 Ga.                 | 249        | 532 40 65-14 | Cover Cable Clutch   |
| 38         | 532 43 25-20 | Keeper Belt Mandrel                           | 253        | 532 42 73-50 | Rivot Tuflock  |
| 40         | 873 90 06-00 | Nut, Lock Flg. 3/8-16 unc                     | 280        | 817 67 06-08 | Screw Thdrol 3/8-16 x 1/2  |
| 42         | 532 19 84-10 | Spring Trosion Brake                          | --         | 532 19 28-70 | Mandrel Assembly (Includes housing (key #14), shaft assembly (key #13) and bearing only (key #15) - Pulley/Nut/Washer and Blade Bolt/Washers not included) |
| 43         | 532 19 72-56 | Spring Torsion Retainer                       | --         | 532 43 77-30 | Replacement Mower, Complete  |
| 46         | 532 13 77-29 | Screw Thdrol. 1/4-20 x 5/8                    |            |              |  |
| 47         | 532 19 72-50 | Bracket Clutch Cable                          |            |              |  |
| 55         | 532 43 71-10 | Arm, Idler                                    |            |              |  |
| 56         | 532 19 90-92 | Spacer, Retainer                              |            |              |  |
| 57         | 817 00 06-16 | Screw Hex Wsh. Thd. 3/8-16 x 1                |            |              |  |
| 59         | 532 14 10-43 | Guard, Tuv. Idler (94)                        |            |              |  |
| 60         | 532 19 72-61 | Arm Brake Mower                               |            |              |  |
| 62         | 872 11 06-16 | Bolt Rdhd. Sqnk. 3/8-16 unc x 2               |            |              |  |
| 63         | 532 19 94-77 | Arm Brake Mower                               |            |              |  |
| 64         | 532 19 97-90 | Linkage Brake                                 |            |              |  |

**NOTE:** All component dimensions given in U.S. inches  
1 inch = 25.4 mm



**TRACTOR - - MODEL NO. M145-107T (96041029301), PRODUCT NO. 960 41 02-93**  
**MOWER LIFT 45**



lift-tex\_17\_r3

\*Key 91 may be substituted for Key 101

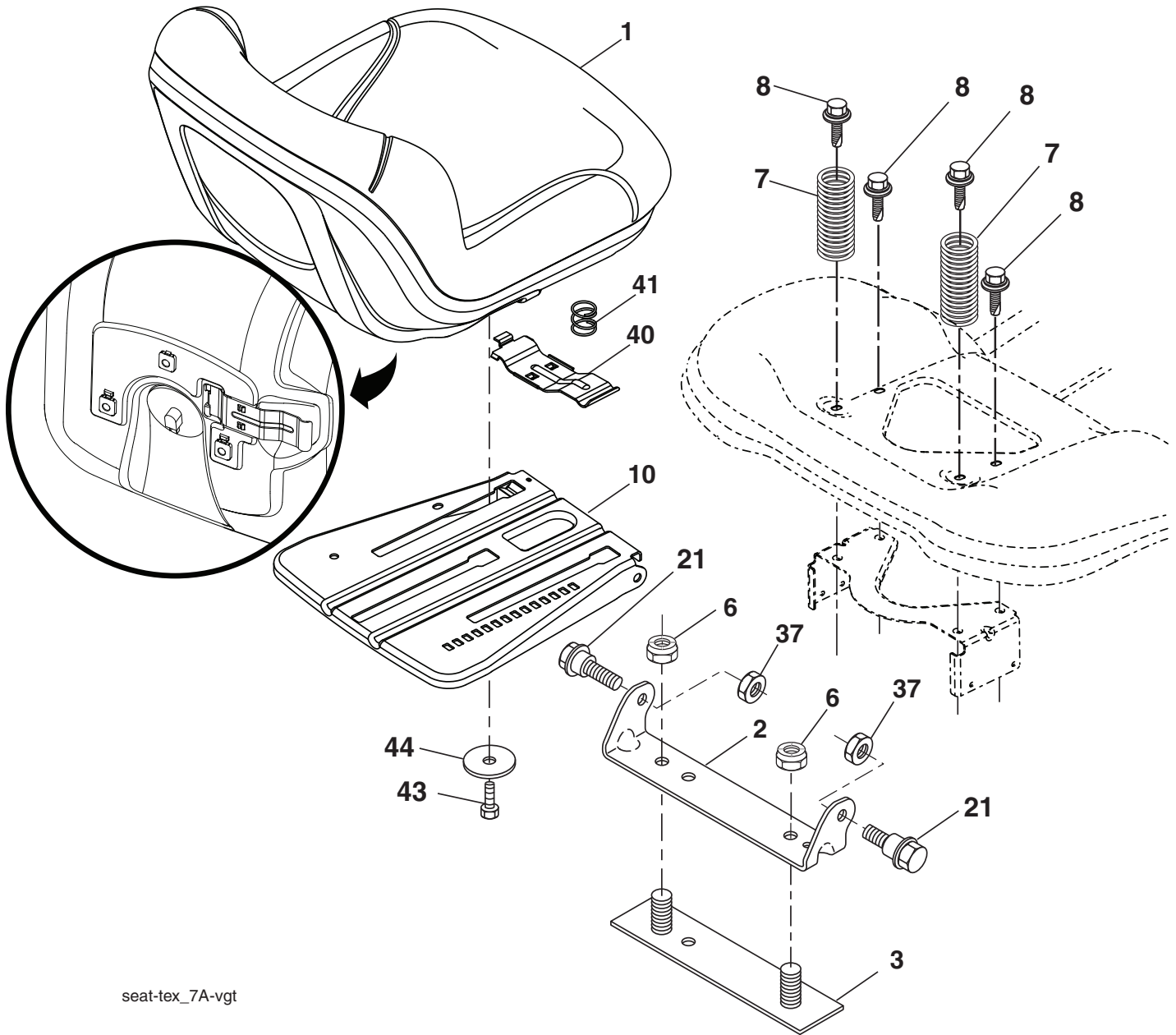
| KEY NO. | PART NO.     | DESCRIPTION                  |
|---------|--------------|------------------------------|
| 2       | 532 42 20-27 | Shaft Asm., Cross Lift       |
| 3       | 532 19 52-31 | Lever Asm., Lift RH          |
| 7       | 580 96 23-01 | Grip, Lever                  |
| 10      | 532 19 63-14 | Spring Torsion               |
| 87      | 532 19 42-09 | Pin Cotter 7/16 Bow Tie Lock |
| 88      | 532 41 07-10 | Spring Lift Assist           |
| 89      | 819 19 19-12 | Washer Clear Zinc            |
| 90      | 532 19 42-08 | Pin Cotter 5/16 Bow Tie Lock |

| KEY NO. | PART NO.     | DESCRIPTION                 |
|---------|--------------|-----------------------------|
| 91      | 532 19 51-81 | Link Lift Susp. Mower Rear  |
| 97      | 817 00 06-12 | Screw 3/8-16 x 3/4          |
| 98      | 532 19 52-70 | Link Lift Susp. Front Mower |
| 100     | 873 93 06-00 | Nut Centerlock 3/8-16 unc   |
| 101     | 532 40 70-03 | Link Asm Lift Fixed         |

**NOTE:** All component dimensions given in U.S. inches  
 1 inch = 25.4 mm



**TRACTOR - - MODEL NO. M145-107T (96041029301), PRODUCT NO. 960 41 02-93  
SEAT ASSEMBLY 42**



seat-tex\_7A-vgt

| KEY NO. | PART NO.     | DESCRIPTION                    |
|---------|--------------|--------------------------------|
| 1       | 581 46 21-01 | Seat                           |
| 2       | 532 18 01-66 | Bracket Pivot Fender           |
| 3       | 532 14 06-75 | Strap, Asm. Fender             |
| 6       | 873 80 06-00 | Nut, Lock w/Ins. 3/8-16 unc    |
| 7       | 532 12 41-81 | Spring, Seat Cprsn.            |
| 8       | 532 17 18-77 | Bolt 5/16-18 unc x 3/4 w/Sems. |
| 10      | 532 19 69-77 | Pan, Seat                      |
| 21      | 532 17 18-52 | Bolt, Shoulder 5/16-18         |
| 37      | 873 80 05-00 | Nut, Lock 5/16-18 unc          |

| KEY NO. | PART NO.     | DESCRIPTION                   |
|---------|--------------|-------------------------------|
| 40      | 532 19 76-61 | Handle Slide Seat             |
| 41      | 532 19 82-00 | Spring Latch Seat             |
| 43      | 874 76 06-12 | Bolt 3/8-16 unc x 3/4         |
| 44      | 819 13 38-12 | Washer 13/32 x 2-3/8 x 12 Ga. |

**NOTE:** All component dimensions given in U.S. inches  
1 inch = 25.4 mm

