

PNC-ML

967172501-03

Model

M53-170AWRPX

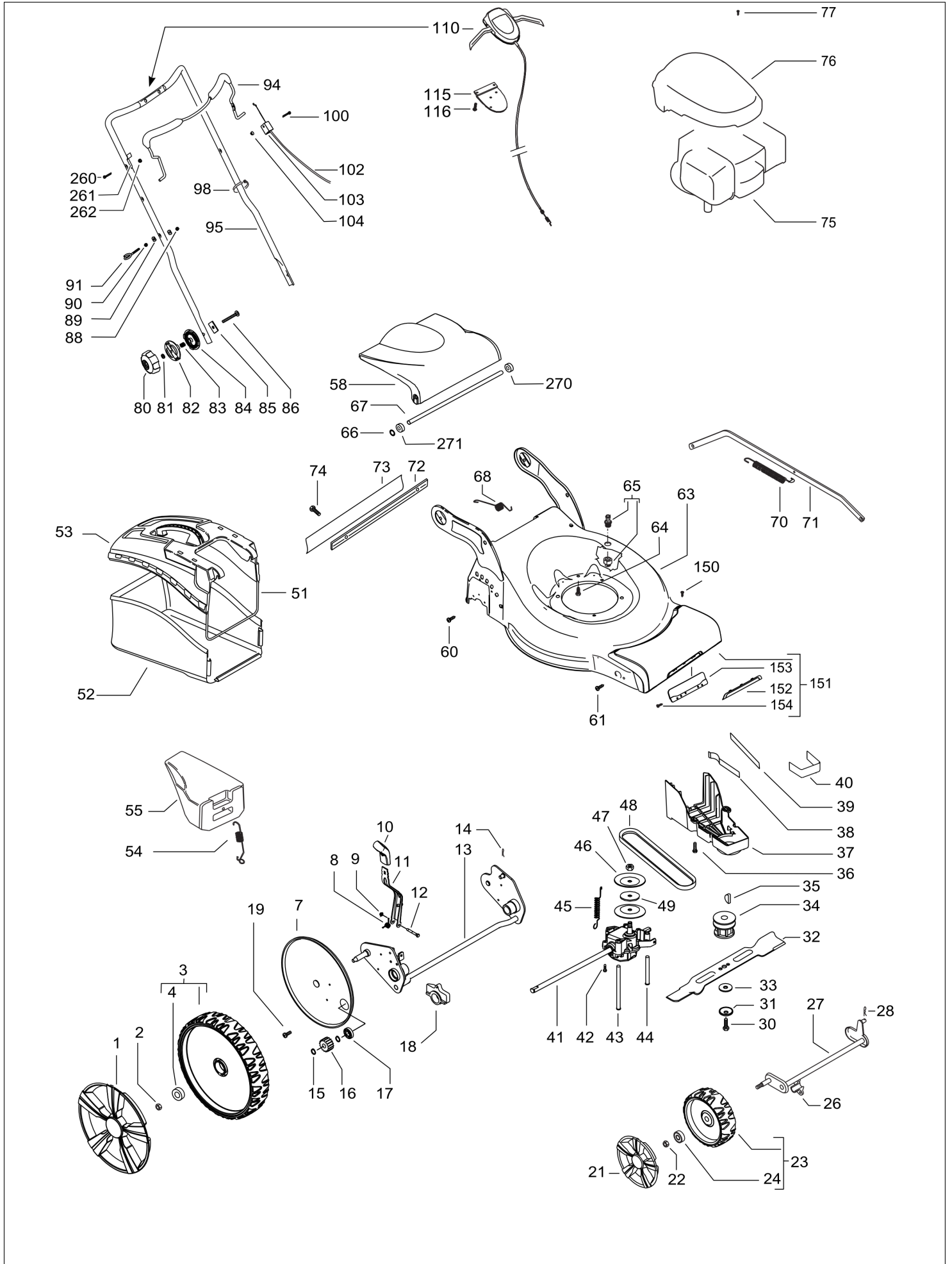
Brand

McCulloch

Number of Pages 1 of 5

Factory:	IIQ - Valmadrera	Product Group:	OP 93
Publication Number:	MIPL2013_V030000004	Petrol Portable	
Publication Date:	16/01/13	Sub Group	1071

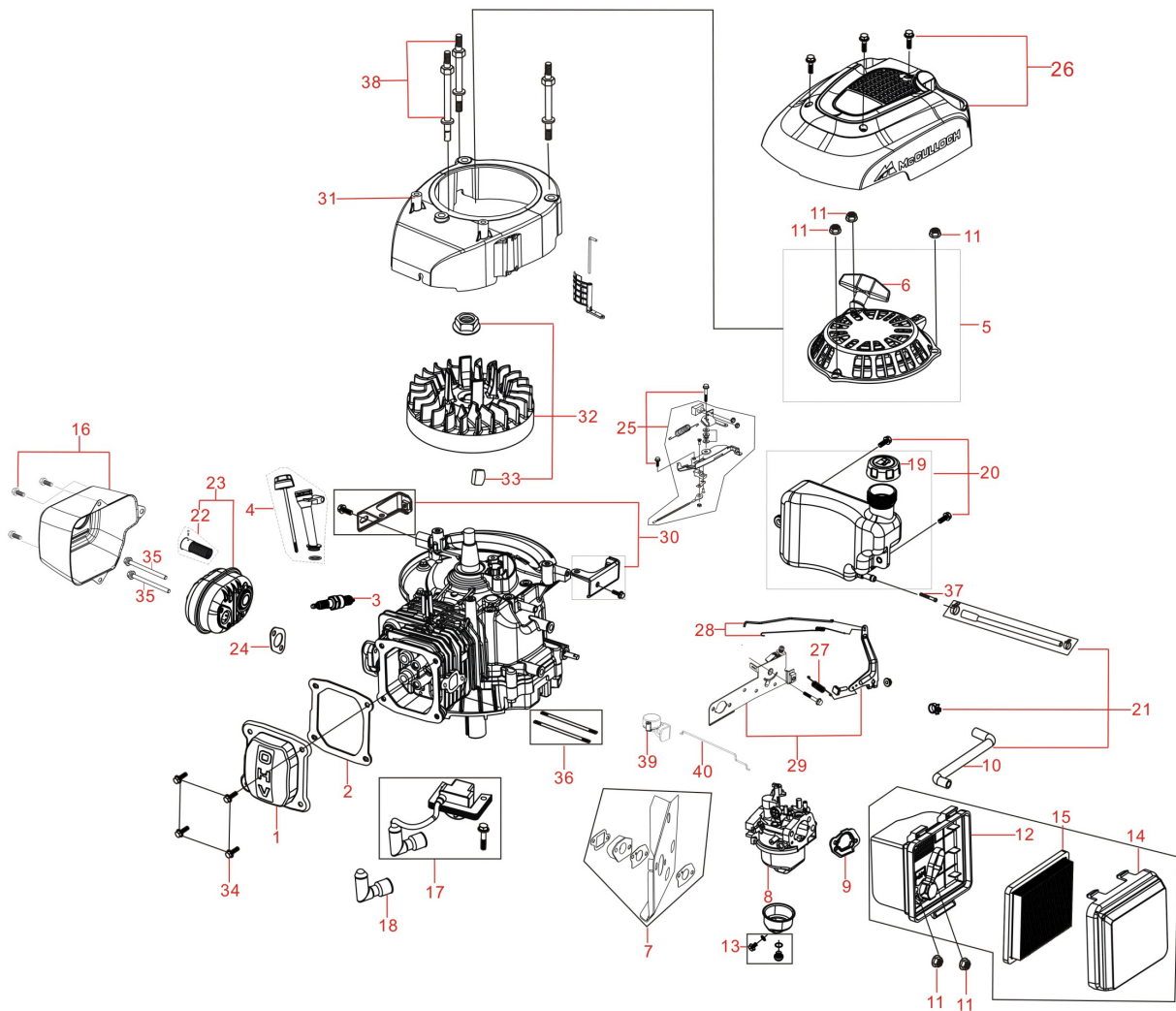
HUSQVARNA ITALIA SPA



HUSQVARNA ITALIA SPA

Item	PN	Description	Qty	Item	PN	Description	Qty
1	574 39 66-01	wheel cover Ø280	2	60	531 20 66-77	screw 4.8x19, self threading	2
2	504 85 78-01	nut M8, self locking, flanged	2	61	525 43 31-01	screw 4x16, self threading	4
3	574 45 12-01	wheel assy Ø280	2	63	581 29 22-02	deck	1
4	531 20 87-78	ball bearing	4	64	531 21 28-51	screw 3/8" + split washer	3
7	504 53 99-01	dust shield Ø280	2	65	531 20 58-48	snap on connector 1/2"	1
8	583 95 13-02	spring, wheel regulator lever	1	66	584 81 69-03	starlock	2
9	531 20 84-92	nut M5, self locking	1	67	584 22 56-01	safety flap bar	1
10	580 46 24-01	handle, wheel regulator	1	68	531 21 18-40	spring	1
11	581 17 86-01	wheel regulator lever	1	70	583 96 87-01	wheel regulation spring	1
12	538 23 58-07	screw M5x45	1	71	581 59 07-01	wheel regulation bar	1
13	581 73 35-01	rear axle	1	72	577 48 24-01	rail skirt	1
14	531 20 66-53	cotter pin	1	73	577 48 25-01	skirt	1
15	531 20 87-72	seeger	4	74	531 20 78-56	screw 5x10	2
16	544 34 23-01	gear	2	75	————	engine, Rato, model number 10100-Z341610	1
17	531 20 87-78	ball bearing	2	76	580 29 06-01	engine shroud	1
18	531 20 59-44	rear axle housing	2	77	580 77 53-01	engine shroud screw	3
19	531 20 78-56	screw M5x10	4	80	580 42 43-01	knob	2
21	574 39 64-01	wheel cover Ø190	2	81	531 20 49-22	washer	2
22	504 85 78-01	nut M8, self locking, flanged	2	82	531 21 14-74	locking disc, outer	2
23	574 45 09-01	wheel assy Ø190	2	83	531 21 14-76	spring	2
24	531 20 87-78	ball bearing	4	84	531 21 14-73	locking disc, inner	2
26	577 38 42-01	front axle housing	2	85	531 21 15-81	plate	2
27	573 97 60-01	front axle	1	86	581 25 95-01	screw M8x55	2
28	531 20 66-53	cotter pin	1	88	531 20 84-91	nut M6 self	1
30	531 20 80-08	screw, 3/8"	1	89	531 20 49-61	washer	2
31	531 20 72-37	spring washer	1	90	531 20 71-65	nut M6	1
32	580 25 84-02	blade	1	91	531 20 51-69	starter cable guide	1
33	531 20 72-43	washer	1	94	580 84 91-04	brake lever	1
34	504 59 12-01	blade support	1	95	580 33 36-02	handle	1
35	531 20 74-32	key	1	98	531 20 55-81	zip tie	2
36	531 20 78-56	screw 5x10	3	100	580 83 36-01	screw	1
37	505 40 82-01	belt cover	1	102	580 85 34-01	brake cable	1
38	504 04 61-01	belt guide	1	103	531 20 80-43	cable support	1
39	544 46 25-01	belt guide	1	104	581 55 12-01	nut	1
40	504 05 66-01	belt guide	1	110	580 68 39-02	dual trigger control assy	1
41	577 11 74-01	gear box	1	115	577 70 14-01	dual trigger plate	1
42	510 03 75-01	screw 4x16, self threading	2	116	532 18 16-98	screw	4
43	577 92 85-01	belt guide	1	150	576 04 74-01	screw	2
44	544 93 43-01	belt guide	1	151	575 56 23-04	front cover	1
45	544 93 47-01	gear box spring	1	152	574 37 52-01	front cover plate	1
46	504 54 79-01	pulley plate	2	153	574 72 17-01	back plate	1
47	504 54 80-01	nut	1	154	575 95 57-01	screw	2
48	531 21 31-31	belt Z31 10X775	1	260	580 83 36-02	screw	1
49	538 23 52-87	washer	1	261	532 43 00-34	brake lever support	1
51	531 21 35-88	sack frame	1	262	581 55 12-01	nut	1
52	577 58 66-06	sack	1	270	531 20 57-33	spacer, 15mm	1
53	577 87 67-99	hard top	1	271	531 21 19-66	spacer, 10mm	1
54	531 21 11-91	spring, mulching plug	1				
55	531 21 06-16	mulching plug	1				
58	544 25 55-01	safety flap	1				

HUSQVARNA ITALIA SPA



HUSQVARNA ITALIA SPA

Item	PN	Description	Qty
1	532 43 75-56	cover, valve cover	1
2	532 43 75-57	gasket, valve cover	1
3	581 66 83-01	plug, spark	1
4	581 85 62-01	dipstick, oil	1
5	581 66 35-01	recoil starter assy (includes handler with rope)	1
6	581 85 67-01	recoil strater handle(without rope)	1
7	581 85 77-01	carburetor gasket kit.	1
8	581 66 94-01	carburetor assy.	1
9	581 67 01-01	gasket, air cleaner	1
10	581 67 06-01	tube, breather	1
11	532 43 75-68	nut, M6	3
12	581 67 20-01	base, air cleaner	1
13	581 85 78-01	service kit, carburator	1
14	581 67 21-01	cover, air cleaner case	1
15	532 43 93-77	element, air cleaner	1
16	581 85 80-01	muffler guard with hardware	1
17	581 85 81-01	coil assy, ignition	1
18	532 43 93-78	cap, spark plug	1
19	532 43 75-75	cap, fuel	1
20	532 43 75-76	tank assy, fuel (includes cap,fuel)	1
21	581 85 82-01	service kit includes(fuel hose ,clamps,breather hose ,clips	1
22	581 85 72-01	spark arrestor assy.	1
23	581 67 25-01	muffler	1
24	581 67 26-01	gasket, exhaust	1
25	581 85 83-01	brake assy	1
26	581 85 73-01	shroud assy. with hardware	1
27	581 67 27-01	spring, governor	1
28	581 85 85-01	throttle linkage assy.	1
29	581 85 86-01	throttle control assy.	1
30	532 43 93-82	fuel tank assemble brackets (left&right)	1
31	581 66 59-01	blower housing	1
32	581 85 84-01	flywheel assy. (nuts,washer and key)	1
33	580 49 14-01	key, crankshaft	1
34	580 49 15-01	bolt,valve cover	4
35	580 49 17-01	stud	2
36	581 67 32-01	stud, M6*95	2
37	580 49 18-01	filterfuel	1
38	580 49 40-01	stud assy. blower housing	1
39	583 94 59-01	thermal sensor, choke	1
40	583 94 59-02	rod, thermal choke	1

Item	PN	Description	Qty
NON-ILLUSTRATED PARTS			
41	581 85 65-01	high altitude kit epa3	1
42	581 85 88-27	owner's manual	1
43	581 85 89-01	engine assembly without shroud(61mm-shaft)	1
44	581 85 89-02	engine assembly without shroud(80mm-shaft)	1