

B40 BT Elite

Spare parts

Ersatzteile

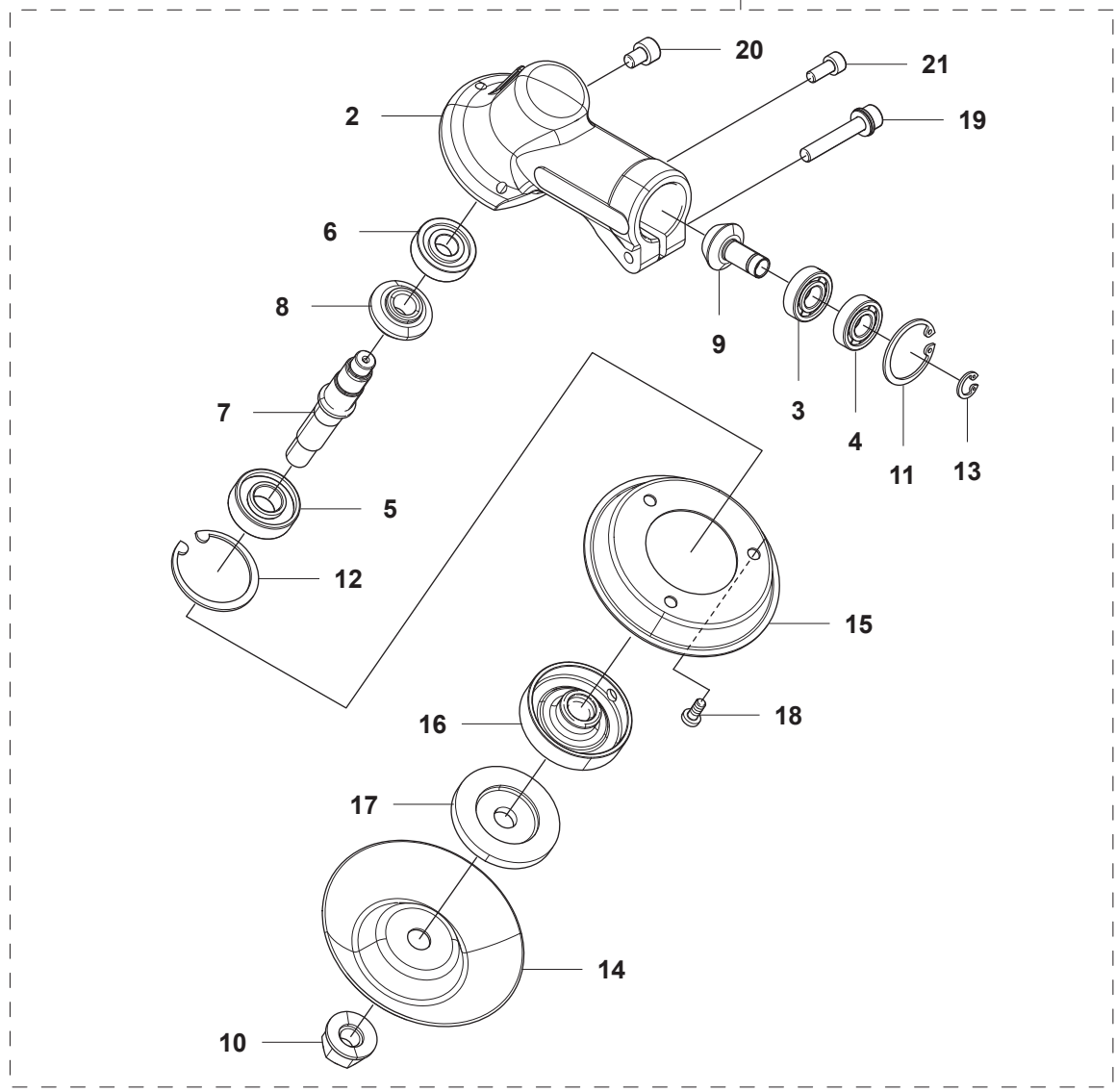
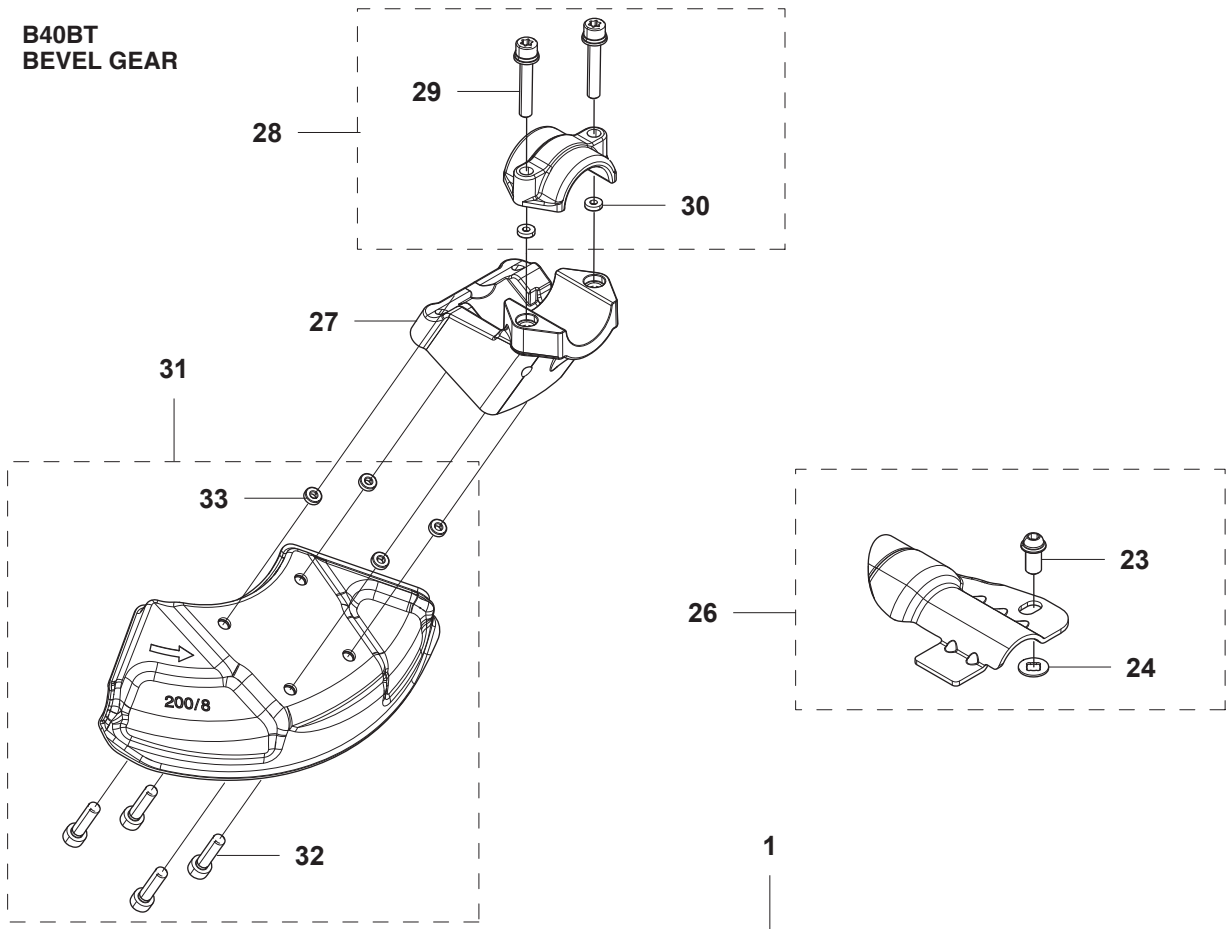
Pièces détachées

Reserve onderdelen

Repuestos

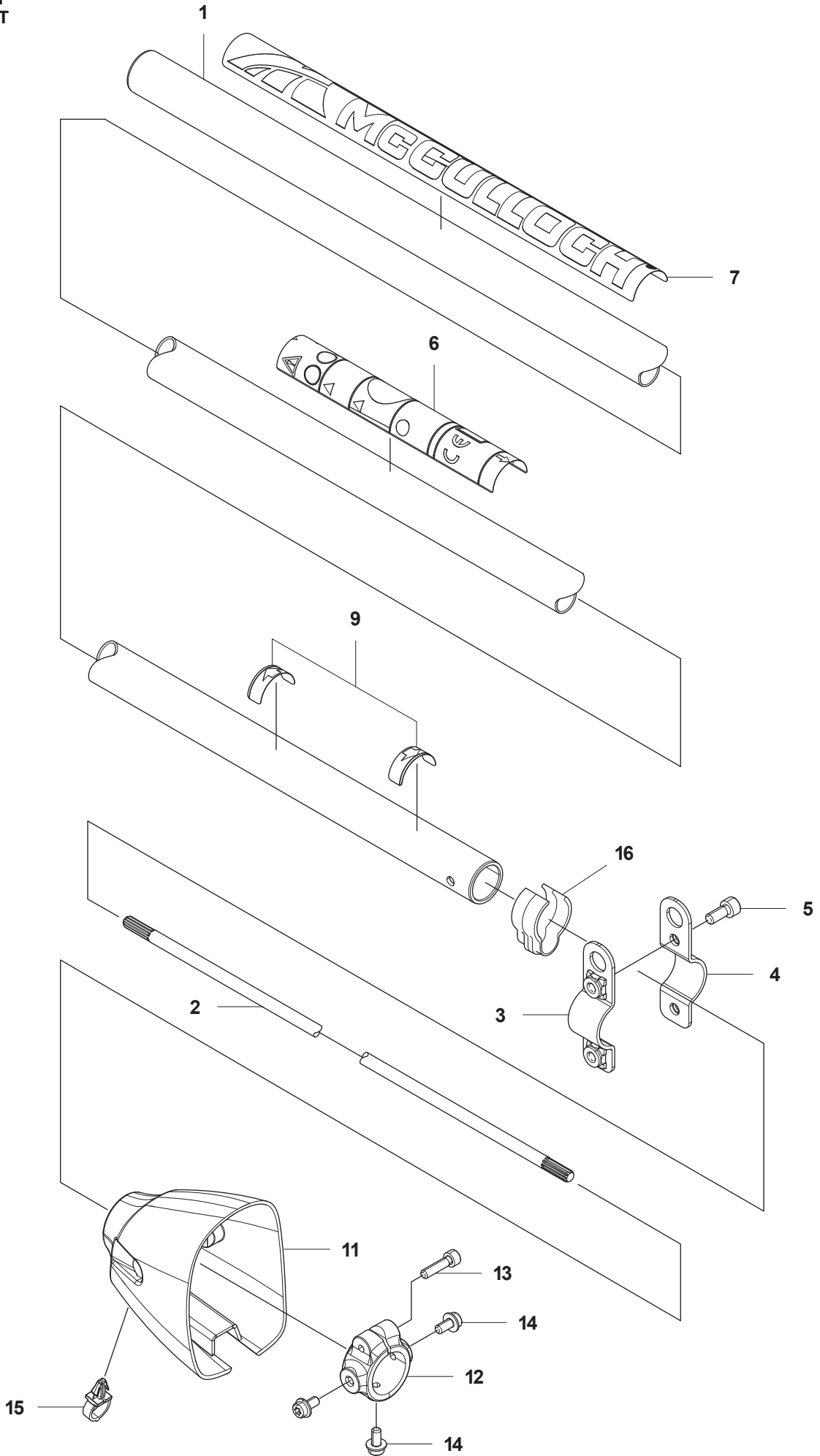
Reservdelar

A B40BT
BEVEL GEAR



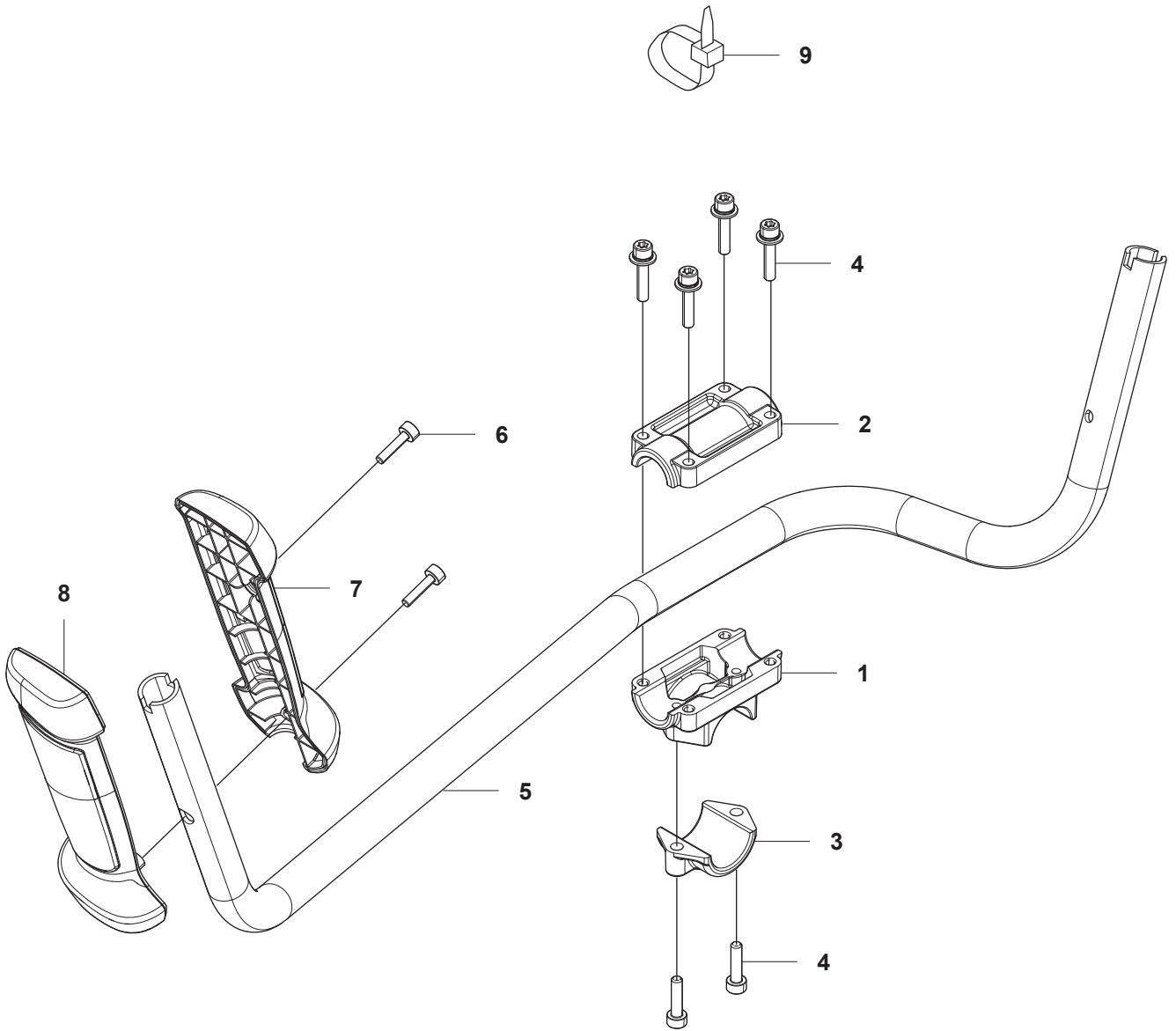
| Position | Article | Quantity | Notes | Kit |
|----------|--------------|----------|-------------------------------|-----|
| 1 | 578 33 33-01 | 1 | | |
| 2 | 579 00 65-01 | 1 | | 1 |
| 3 | 505 16 92-01 | 1 | | 1 |
| 4 | 505 16 93-01 | 1 | | 1 |
| 5 | 510 56 97-01 | 1 | | 1 |
| 6 | 579 06 41-01 | 1 | | 1 |
| 7 | 579 00 69-01 | 1 | | 1 |
| 8 | 579 00 72-01 | 1 | | 1 |
| 9 | 579 00 73-01 | 1 | | 1 |
| 10 | 581 31 54-01 | 1 | | 1 |
| 11 | 505 16 94-01 | 1 | | 1 |
| 12 | 504 12 10-01 | 1 | | 1 |
| 13 | 521 82 18-01 | 1 | | 1 |
| 14 | 579 00 66-01 | 1 | For grass blade | 1 |
| 15 | 579 00 67-01 | 1 | | 1 |
| 16 | 579 00 71-01 | 1 | | 1 |
| 17 | 579 00 70-01 | 1 | | 1 |
| 18 | 510 46 46-01 | 3 | | 1 |
| 19 | 521 86 23-01 | 1 | | 1 |
| 20 | 521 86 20-01 | 1 | | 1 |
| 21 | 521 86 11-01 | 1 | | 1 |
| 23 | 530 01 57-71 | 1 | | 26 |
| 24 | 575 67 73-01 | 1 | | 26 |
| 26 | 579 21 69-01 | 1 | For combi shield 580 30 50-01 | |
| 27 | 581 33 77-01 | 1 | | |
| 28 | 581 33 78-01 | 1 | | |
| 29 | 512 84 59-01 | 2 | | 28 |
| 30 | 574 03 95-01 | 2 | | 28 |
| 31 | 581 33 84-01 | 1 | | |
| 32 | 521 51 65-01 | 4 | | 31 |
| 33 | 574 03 95-01 | 4 | | 31 |

B B40BT
SHAFT



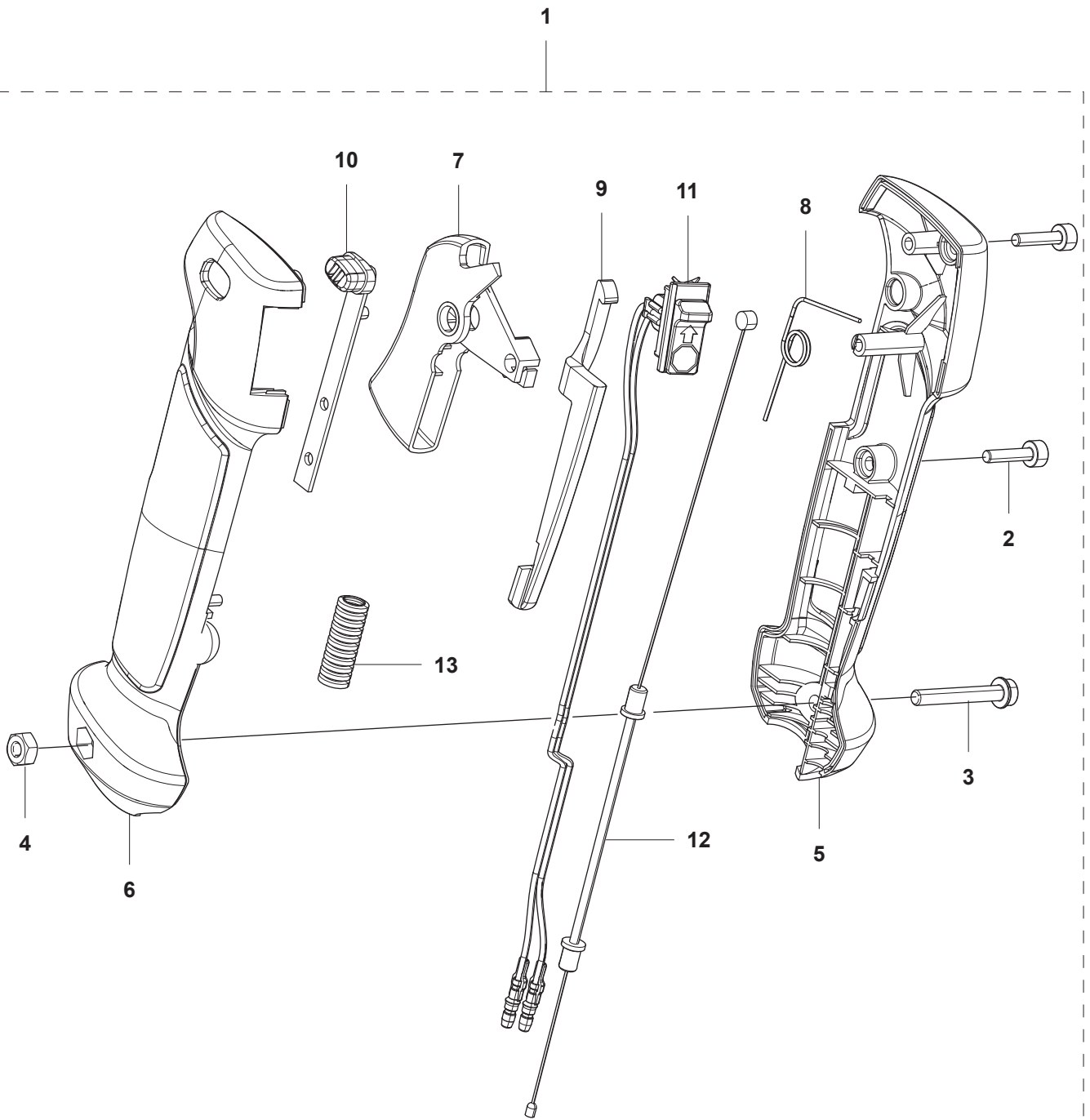
| Position | Article | Quantity | Notes | Kit |
|-----------------|----------------|-----------------|--------------|------------|
| 1 | 578 33 30-01 | 1 | | |
| 2 | 578 33 32-01 | 1 | | |
| 3 | 579 07 36-01 | 1 | | |
| 4 | 579 07 35-01 | 1 | | |
| 5 | 544 25 80-01 | 2 | | |
| 6 | 581 90 28-01 | 1 | | |
| 7 | 578 96 43-01 | 1 | | |
| 9 | 580 23 73-01 | 2 | | |
| 11 | 578 86 75-02 | 1 | | |
| 12 | 578 86 27-01 | 1 | | |
| 13 | 510 90 46-01 | 1 | | |
| 14 | 521 51 59-01 | 3 | | |
| 15 | 579 01 15-01 | 1 | | |
| 16 | 521 65 40-01 | 2 | | |

C B40BT
HANDLE



| Position | Article | Quantity | Notes | Kit |
|-----------------|----------------|-----------------|--------------|------------|
| 1 | 578 96 33-01 | 1 | | |
| 2 | 578 96 34-01 | 1 | | |
| 3 | 578 96 35-01 | 1 | | |
| 4 | 521 51 69-01 | 6 | | |
| 5 | 578 42 88-01 | 1 | | |
| 6 | 574 44 40-01 | 2 | | |
| 7 | 578 88 19-01 | 1 | | |
| 8 | 578 88 22-01 | 1 | | |
| 9 | 514 36 40-01 | 1 | | |

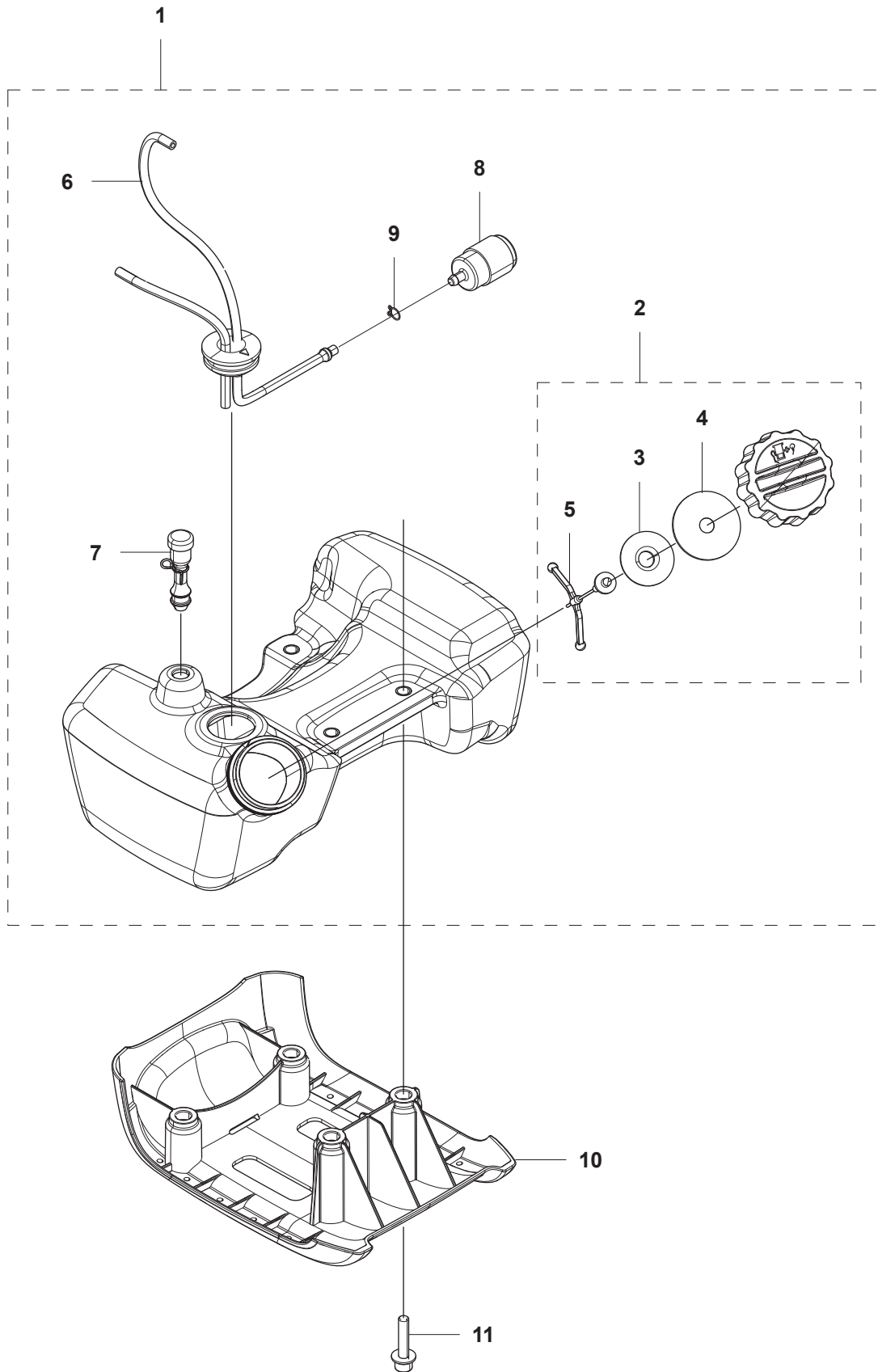
D B40BT
THROTTLE CONTROLS



THROTTLE CONTROLS

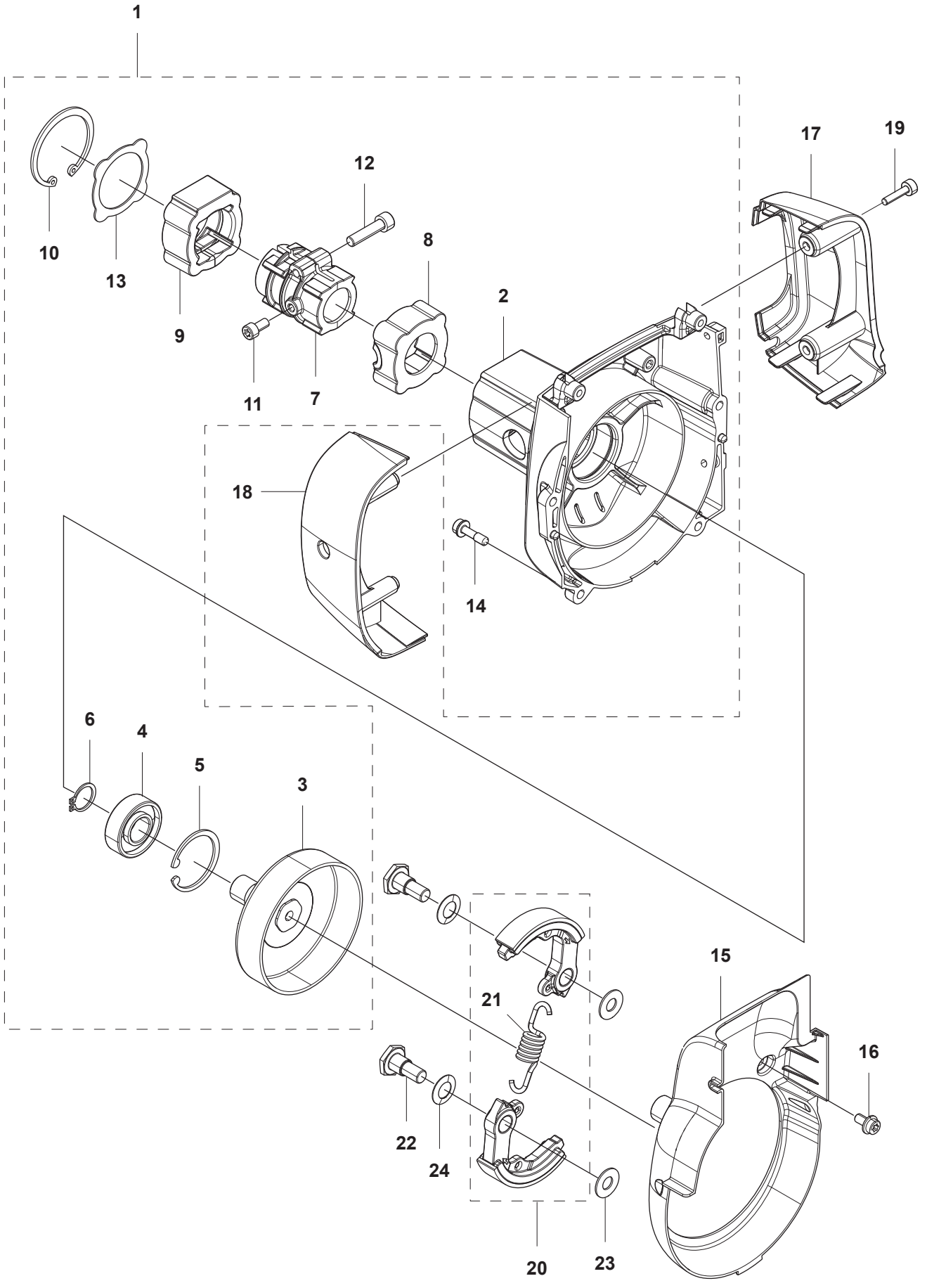
| Position | Article | Quantity | Notes | Kit |
|-----------------|----------------|-----------------|--------------|------------|
| 1 | 578 33 62-01 | 1 | | |
| 2 | 574 44 40-01 | 2 | | 1 |
| 3 | 525 75 51-09 | 1 | | 1 |
| 4 | 503 22 10-10 | 1 | | 1 |
| 5 | 578 33 37-01 | 1 | | 1 |
| 6 | 578 33 38-01 | 1 | | 1 |
| 7 | 578 33 39-01 | 1 | | 1 |
| 8 | 580 72 12-01 | 1 | | 1 |
| 9 | 578 33 40-01 | 1 | | 1 |
| 10 | 578 33 41-01 | 1 | | 1 |
| 11 | 579 37 89-01 | 1 | | 1 |
| 12 | 578 33 43-01 | 1 | | 1 |
| 13 | 577 60 14-01 | 1 | | 1 |

E B40BT
FUEL TANK



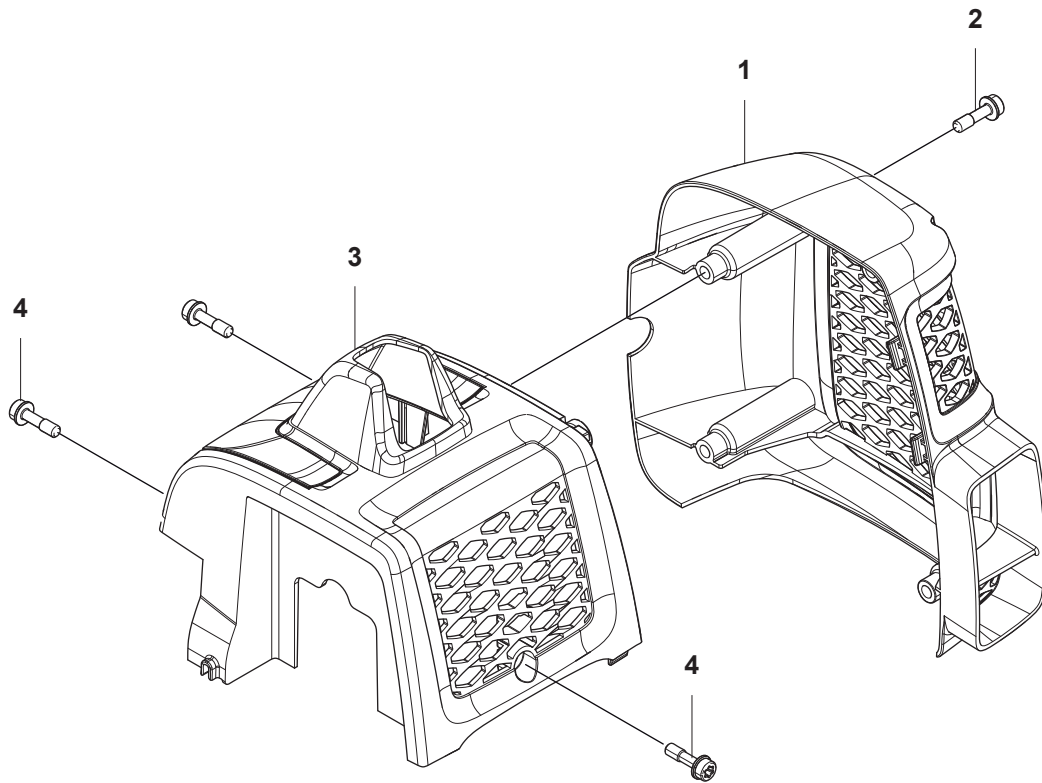
| Position | Article | Quantity | Notes | Kit |
|-----------------|----------------|-----------------|--------------|------------|
| 1 | 578 96 61-01 | 1 | | |
| 2 | 580 92 68-01 | 1 | | 1 |
| 3 | 574 16 60-01 | 1 | | 1, 2 |
| 4 | 580 92 67-01 | 1 | | 1, 2 |
| 5 | 574 16 19-01 | 1 | | 1, 2 |
| 6 | 577 50 99-01 | 1 | | 1 |
| 7 | 515 38 73-01 | 1 | | 1 |
| 8 | 506 61 46-01 | 1 | | 1 |
| 9 | 506 70 70-01 | 1 | | 1 |
| 10 | 578 30 25-01 | 1 | | |
| 11 | 521 51 69-01 | 4 | | |

F B40BT
CLUTCH



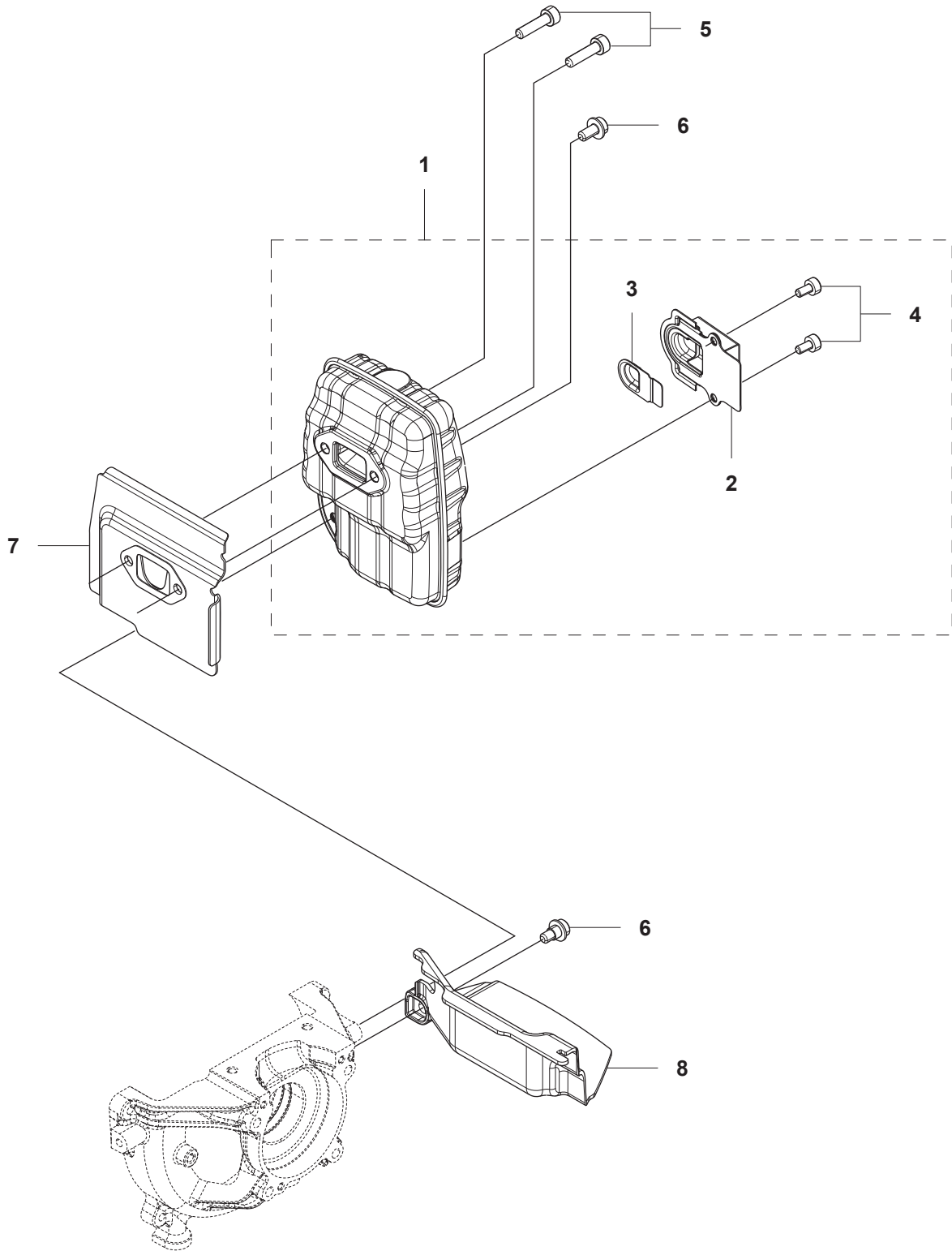
| Position | Article | Quantity | Notes | Kit |
|----------|--------------|----------|-------|-----|
| 1 | 579 17 99-01 | 1 | | |
| 2 | 578 33 14-01 | 1 | | 1 |
| 3 | 505 29 38-01 | 1 | | 1 |
| 4 | 516 13 17-01 | 1 | | 1 |
| 5 | 502 84 93-01 | 1 | | 1 |
| 6 | 516 12 42-01 | 1 | | 1 |
| 7 | 578 33 15-01 | 1 | | 1 |
| 8 | 521 65 46-01 | 1 | | 1 |
| 9 | 521 65 47-01 | 1 | | 1 |
| 10 | 516 12 64-01 | 1 | | 1 |
| 11 | 504 11 96-01 | 1 | | 1 |
| 12 | 521 51 75-01 | 1 | | 1 |
| 13 | 521 65 49-01 | 1 | | 1 |
| 14 | 577 94 23-01 | 4 | | 1 |
| 15 | 578 32 58-01 | 1 | | |
| 16 | 521 51 59-01 | 2 | | |
| 17 | 578 30 18-01 | 1 | | |
| 18 | 578 30 19-01 | 1 | | |
| 19 | 574 44 40-01 | 2 | | |
| 20 | 521 63 64-01 | 1 | | |
| 21 | 521 52 34-01 | 1 | | 20 |
| 22 | 505 29 78-01 | 2 | | |
| 23 | 505 29 80-01 | 2 | | |
| 24 | 505 29 81-01 | 2 | | |

G B40BT
CYLINDER COVER

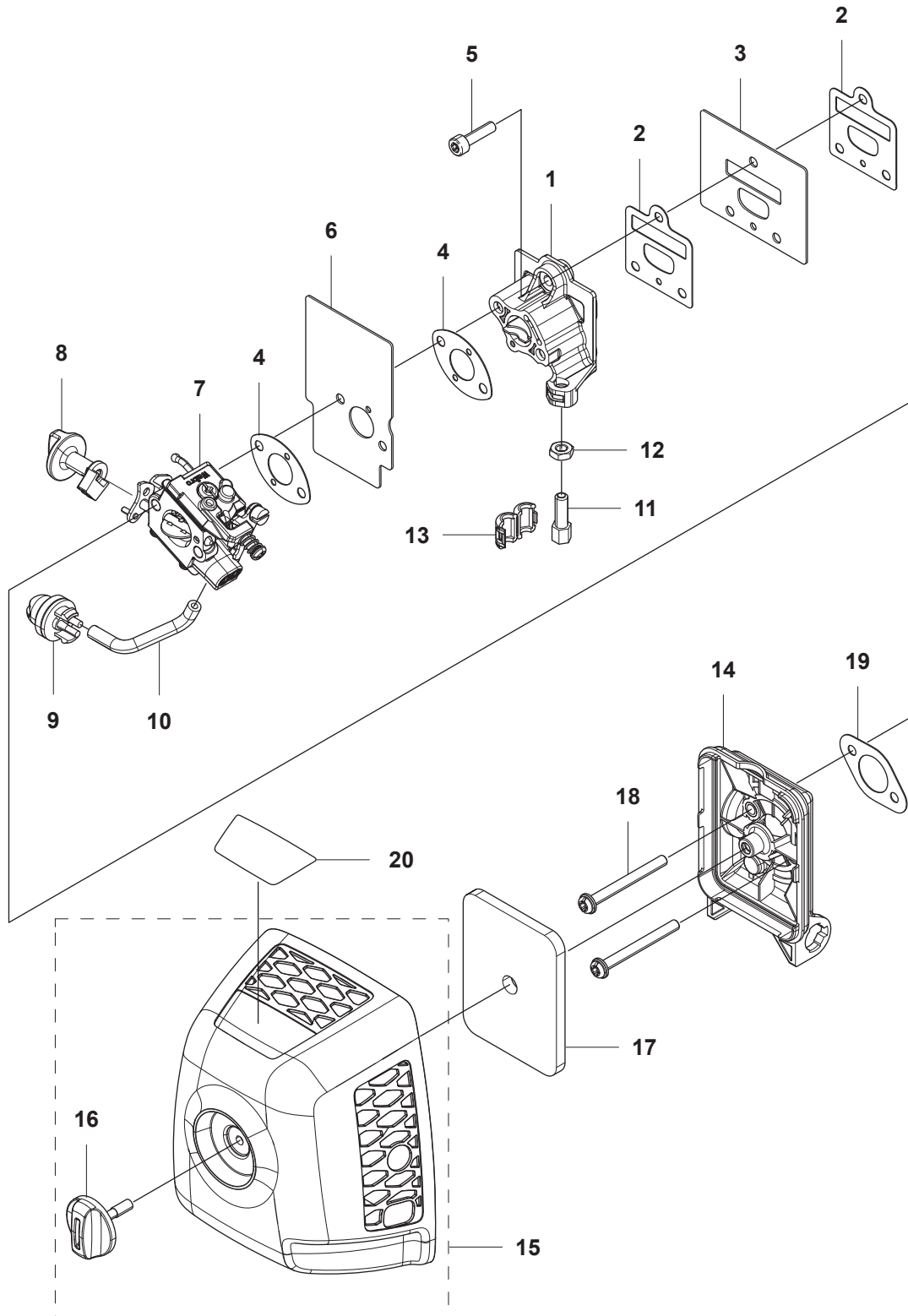


| Position | Article | Quantity | Notes | Kit |
|-----------------|----------------|-----------------|--------------|------------|
| 1 | 578 30 17-01 | 1 | | |
| 2 | 577 81 54-02 | 4 | | |
| 3 | 578 30 20-01 | 1 | | |
| 4 | 577 81 54-02 | 3 | | |

H B40BT
MUFFLER

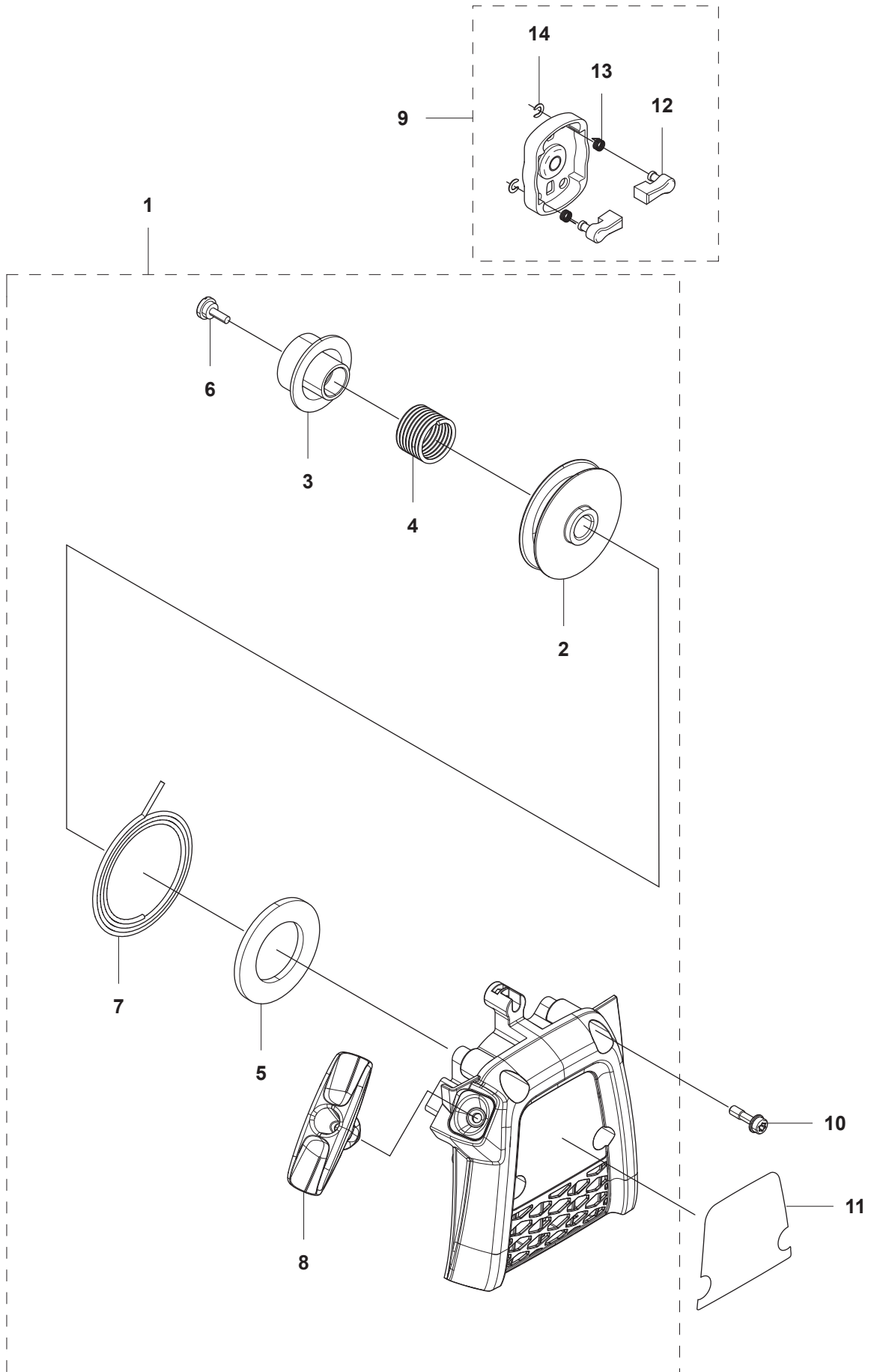


| Position | Article | Quantity | Notes | Kit |
|-----------------|----------------|-----------------|--------------|------------|
| 1 | 576 78 50-01 | 1 | | |
| 2 | 521 62 34-01 | 1 | | 1 |
| 3 | 521 62 30-01 | 1 | | 1 |
| 4 | 544 36 27-01 | 2 | | 1 |
| 5 | 577 94 20-01 | 2 | | |
| 6 | 521 51 59-01 | 2 | | |
| 7 | 577 80 41-01 | 1 | | |
| 8 | 521 62 33-01 | 1 | | |

J**B40BT
CARBURETOR & AIRFILTER**

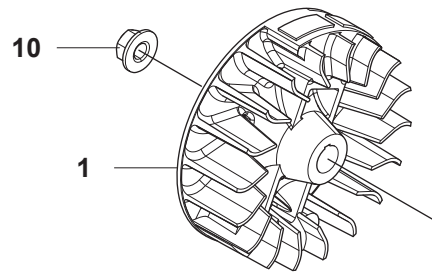
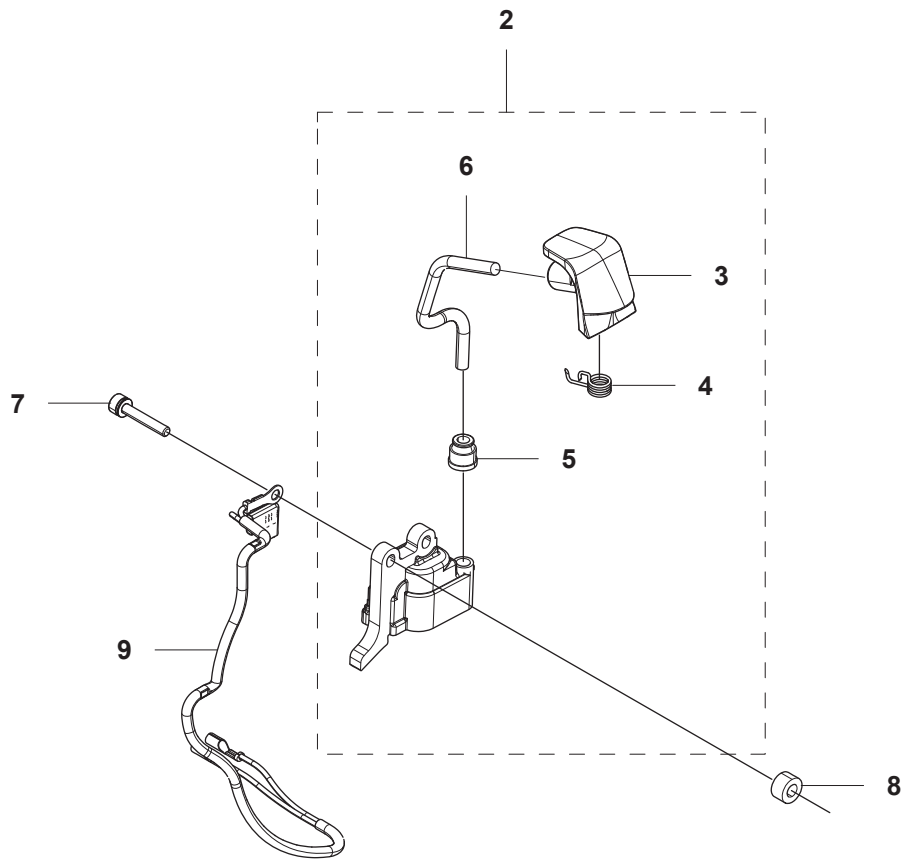
| Position | Article | Quantity | Notes | Kit |
|----------|--------------|----------|-------|-----|
| 1 | 576 68 58-01 | 1 | | |
| 2 | 576 78 54-01 | 2 | | |
| 3 | 578 11 53-01 | 1 | | |
| 4 | 577 67 38-01 | 2 | | |
| 5 | 506 68 90-01 | 3 | | |
| 6 | 579 44 59-01 | 1 | | |
| 7 | 577 99 28-05 | 1 | | |
| 8 | 577 13 31-02 | 1 | | |
| 9 | 503 93 66-01 | 1 | | |
| 10 | 577 50 95-01 | 1 | | |
| 11 | 577 17 72-01 | 1 | | |
| 12 | 580 51 78-01 | 1 | | |
| 13 | 577 13 32-01 | 1 | | |
| 14 | 576 68 55-01 | 1 | | |
| 15 | 579 18 00-01 | 1 | | |
| 16 | 537 21 32-01 | 1 | | 15 |
| 17 | 577 92 67-01 | 1 | | |
| 18 | 521 51 55-01 | 2 | | |
| 19 | 577 88 24-02 | 1 | | |
| 20 | 578 33 22-01 | 1 | | |

K B40BT
STARTER



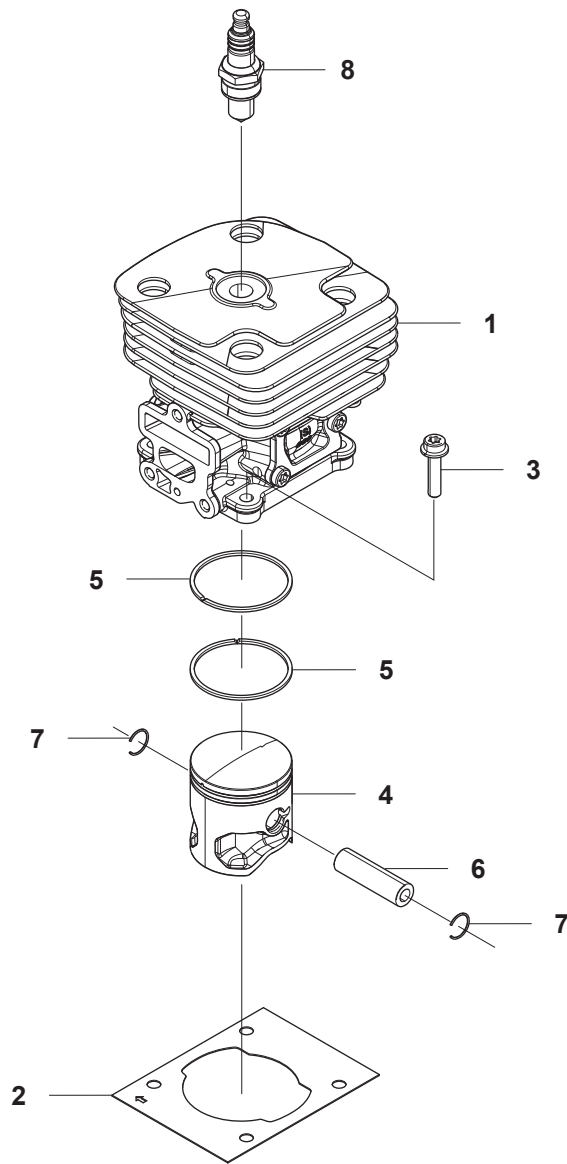
| Position | Article | Quantity | Notes | Kit |
|-----------------|----------------|-----------------|--------------|------------|
| 1 | 581 61 23-01 | 1 | | |
| 2 | 579 11 08-01 | 1 | | 1 |
| 3 | 521 61 85-01 | 1 | | 1 |
| 4 | 521 61 84-01 | 1 | | 1 |
| 5 | 579 11 09-01 | 1 | | 1 |
| 6 | 515 36 71-01 | 1 | | 1 |
| 7 | 579 11 10-01 | 1 | | 1 |
| 8 | 576 37 46-01 | 1 | | 1 |
| 9 | 579 11 11-01 | 1 | | |
| 10 | 577 81 54-02 | 4 | | |
| 11 | 581 33 95-01 | 1 | | |
| 12 | 580 73 69-01 | 2 | | 9 |
| 13 | 521 61 87-01 | 2 | | 9 |
| 14 | 513 16 77-01 | 2 | | 9 |

L B40BT
IGNITION SYSTEM



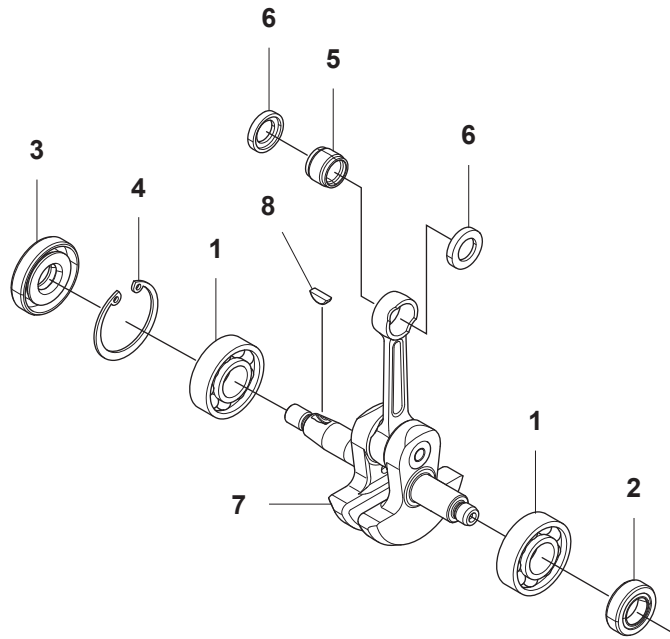
| Position | Article | Quantity | Notes | Kit |
|-----------------|----------------|-----------------|--------------|------------|
| 1 | 577 13 38-01 | 1 | | |
| 2 | 578 33 51-01 | 1 | | |
| 3 | 578 33 16-01 | 1 | | 2 |
| 4 | 506 65 52-01 | 1 | | 2 |
| 5 | 505 04 28-01 | 1 | | 2 |
| 6 | 577 13 95-01 | 1 | | 2 |
| 7 | 521 51 58-01 | 2 | | |
| 8 | 521 76 97-01 | 2 | | |
| 9 | 578 89 40-01 | 1 | | |
| 10 | 504 11 80-01 | 1 | | |

M B40BT
CYLINDER & PISTON



| Position | Article | Quantity | Notes | Kit |
|-----------------|----------------|-----------------|--------------|------------|
| 1 | 577 40 95-02 | 1 | | |
| 2 | 521 62 20-01 | 1 | | |
| 3 | 506 74 52-01 | 4 | | |
| 4 | 577 63 98-01 | 1 | | |
| 5 | 510 91 80-01 | 2 | | |
| 6 | 521 52 27-01 | 1 | | |
| 7 | 516 28 30-01 | 2 | | |
| 8 | 528 07 40-01 | 1 | NGK CMR7H-10 | |

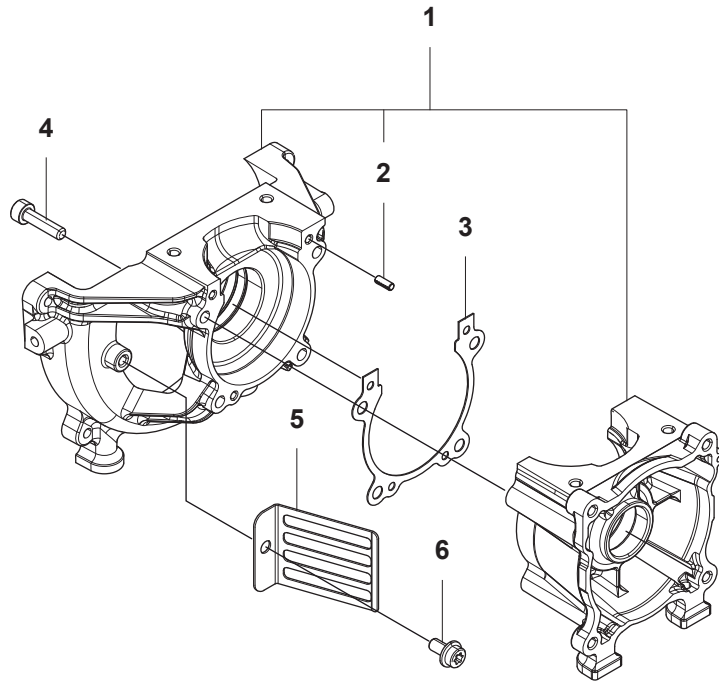
N B40BT
CRANK SHAFT



CRANK SHAFT

| Position | Article | Quantity | Notes | Kit |
|-----------------|----------------|-----------------|--------------|------------|
| 1 | 504 12 14-01 | 2 | | |
| 2 | 504 12 15-01 | 1 | | |
| 3 | 505 29 67-01 | 1 | | |
| 4 | 504 12 10-01 | 1 | | |
| 5 | 505 29 73-01 | 1 | | |
| 6 | 513 75 24-01 | 2 | | |
| 7 | 521 62 39-01 | 1 | | |
| 8 | 506 68 94-01 | 1 | | |

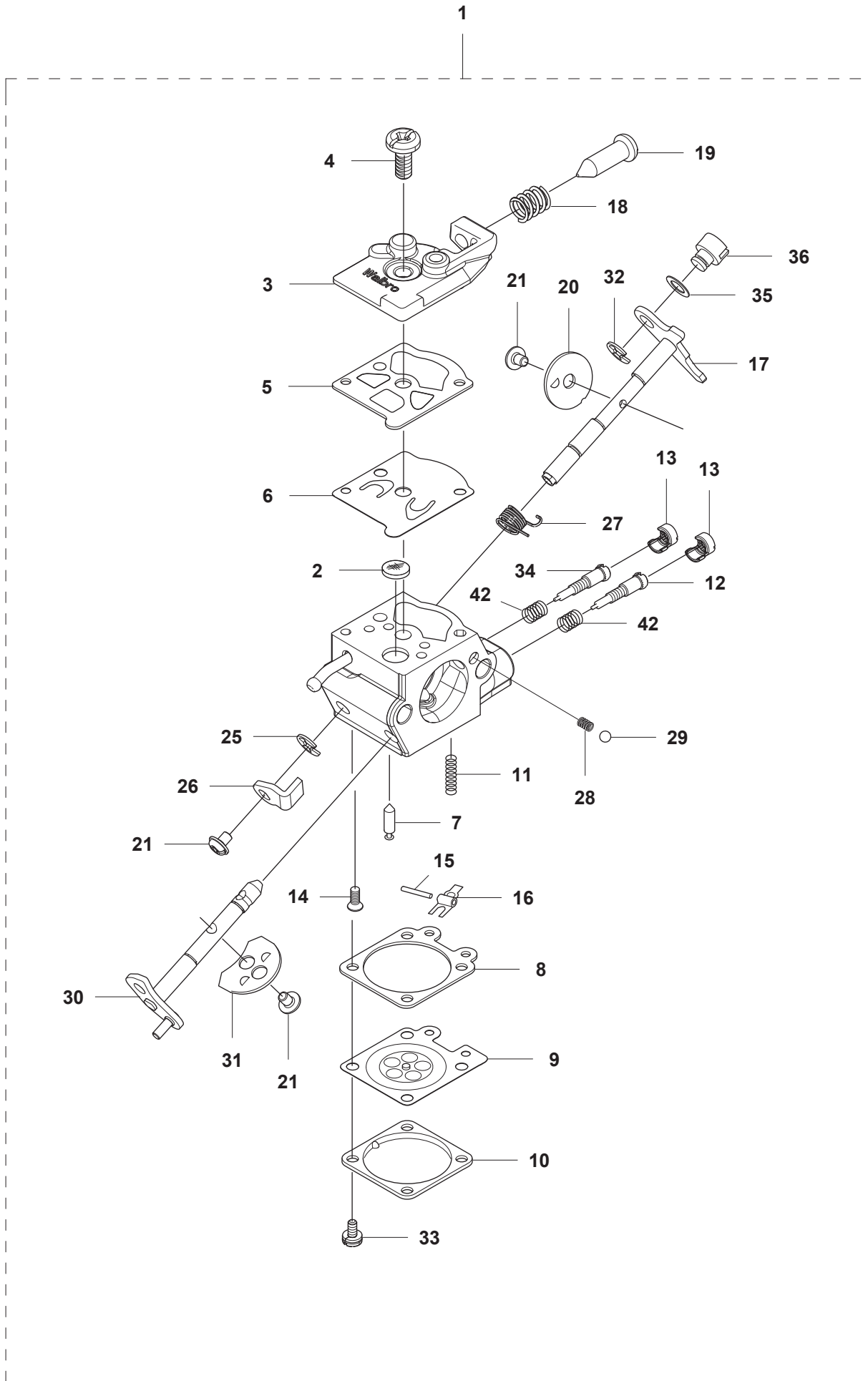
P B40BT
CRANKCASE



CRANKCASE

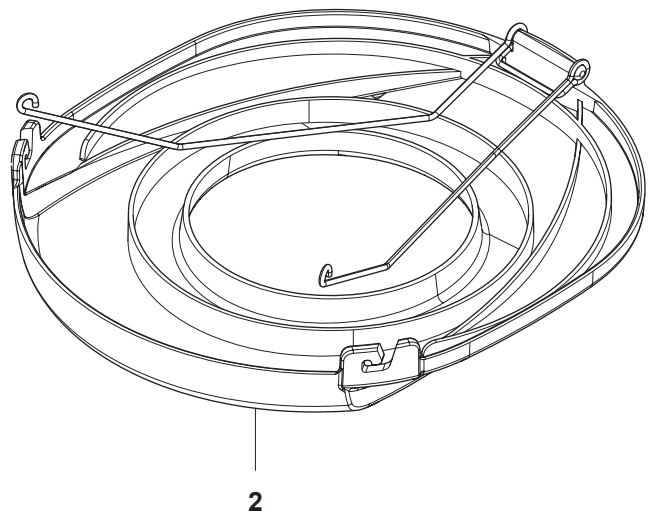
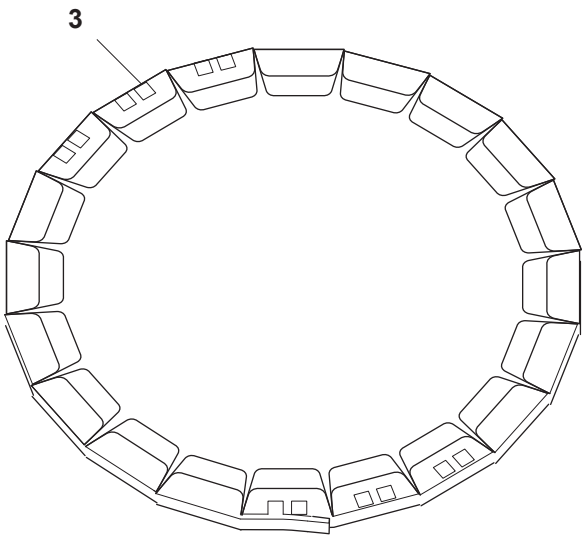
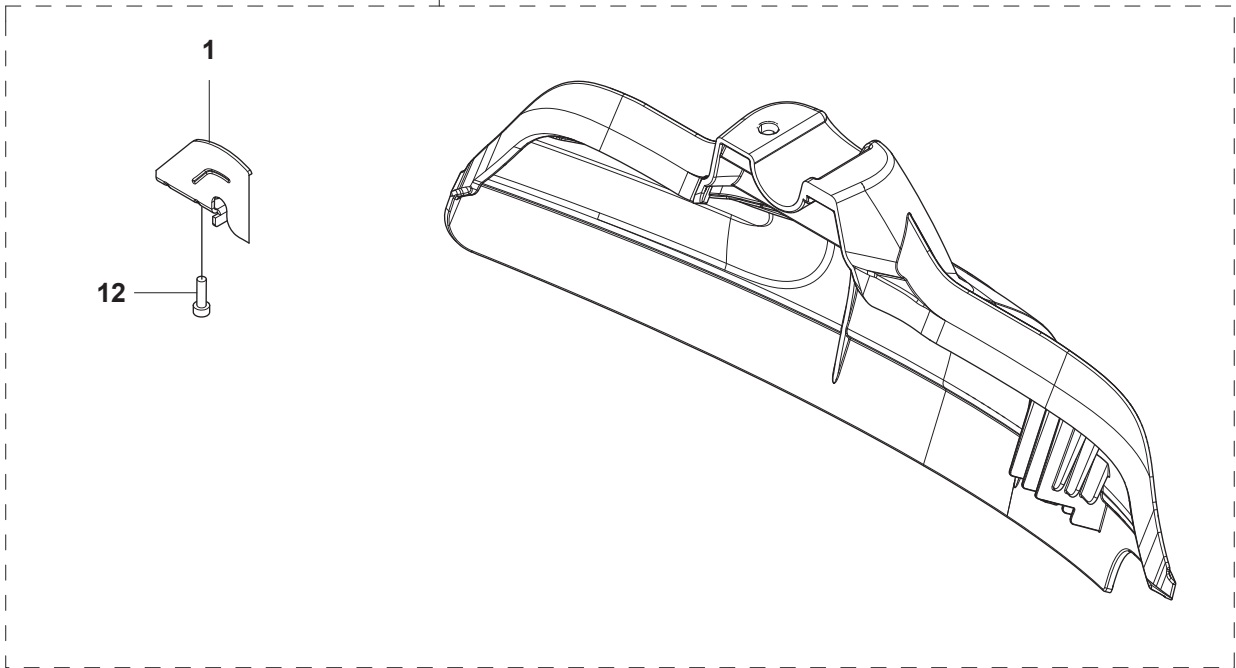
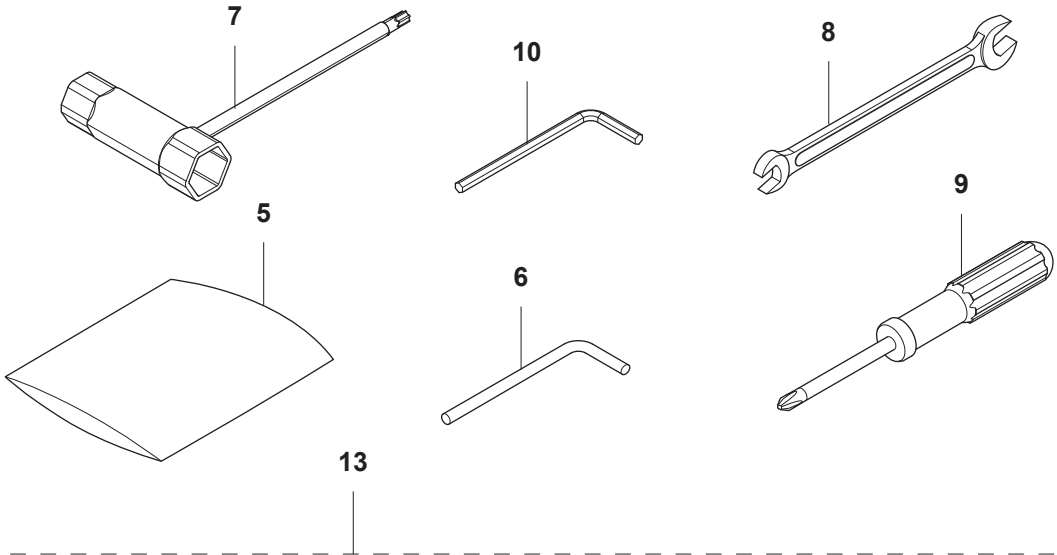
| Position | Article | Quantity | Notes | Kit |
|----------|--------------|----------|-------|-----|
| 1 | 521 62 35-02 | 1 | | |
| 2 | 505 29 61-01 | 3 | | 1 |
| 3 | 521 62 36-01 | 1 | | |
| 4 | 577 94 20-01 | 4 | | |
| 5 | 515 41 26-01 | 1 | | |
| 6 | 521 51 59-01 | 1 | | |

Q B40BT
CARBURETOR



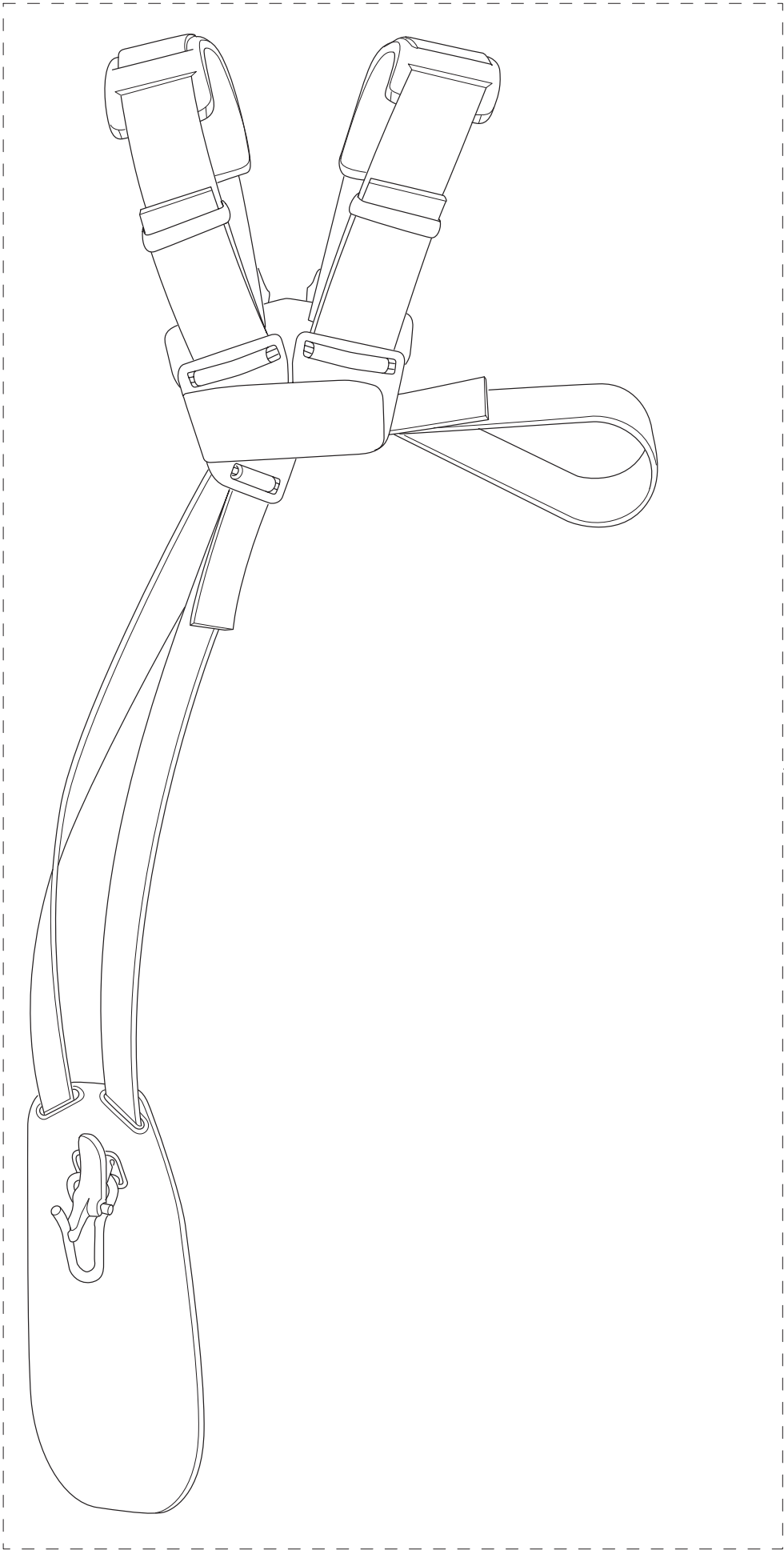
| Position | Article | Quantity | Notes | Kit |
|----------|--------------|----------|--------|-----|
| 1 | 577 99 28-05 | 1 | WTEA-7 | |
| 2 | 520 95 70-01 | 1 | | 1 |
| 3 | 577 80 69-01 | 1 | | 1 |
| 4 | 520 97 63-01 | 1 | | 1 |
| 5 | 520 95 48-01 | 1 | | 1 |
| 6 | 520 95 49-01 | 1 | | 1 |
| 7 | 521 08 54-01 | 1 | | 1 |
| 8 | 516 97 21-01 | 1 | | 1 |
| 9 | 577 80 70-01 | 1 | | 1 |
| 10 | 514 18 92-01 | 1 | | 1 |
| 11 | 578 89 54-01 | 1 | | 1 |
| 12 | 578 91 31-01 | 1 | | 1 |
| 13 | 578 91 30-01 | 2 | | 1 |
| 14 | 577 80 71-01 | 1 | | 1 |
| 15 | 520 97 74-01 | 1 | | 1 |
| 16 | 577 80 72-01 | 1 | | 1 |
| 17 | 578 89 55-01 | 1 | | 1 |
| 18 | 513 59 32-01 | 1 | | 1 |
| 19 | 577 81 57-01 | 1 | | 1 |
| 20 | 514 25 19-01 | 1 | | 1 |
| 21 | 520 75 98-01 | 3 | | 1 |
| 25 | 505 05 65-01 | 1 | | 1 |
| 26 | 577 81 58-01 | 1 | | 1 |
| 27 | 577 81 55-01 | 1 | | 1 |
| 28 | 514 24 33-01 | 1 | | 1 |
| 29 | 514 24 26-01 | 1 | | 1 |
| 30 | 577 81 64-01 | 1 | | 1 |
| 31 | 579 36 71-01 | 1 | | 1 |
| 32 | 506 73 86-01 | 1 | | 1 |
| 33 | 520 97 88-01 | 4 | | 1 |
| 34 | 578 91 29-01 | 1 | | 1 |
| 35 | 516 52 42-01 | 1 | | 1 |
| 36 | 513 40 08-01 | 1 | | 1 |
| 42 | 578 91 28-01 | 2 | | 1 |

R B40BT
ACCESSORIES



| Position | Article | Quantity | Notes | Kit |
|-----------------|----------------|-----------------|--------------|------------|
| 1 | 530 05 22-86 | 1 | | 13 |
| 2 | 537 31 29-01 | 1 | | |
| 3 | 574 35 23-01 | 2 | | |
| 5 | 506 74 41-01 | 1 | | |
| 6 | 580 30 91-01 | 1 | | |
| 7 | 521 53 31-01 | 1 | | |
| 8 | 506 61 50-01 | 1 | | |
| 9 | 506 68 95-01 | 1 | | |
| 10 | 580 47 70-01 | 1 | | |
| 12 | 530 01 58-14 | 2 | | 13 |
| 13 | 580 30 50-01 | 1 | | |

S B40BT
HARNESS



— 1

Page S B40BT

HARNESS

| Position | Article | Quantity | Notes | Kit |
|-----------------|----------------|-----------------|--------------|------------|
| 1 | 544 84 58-02 | 1 | | |