

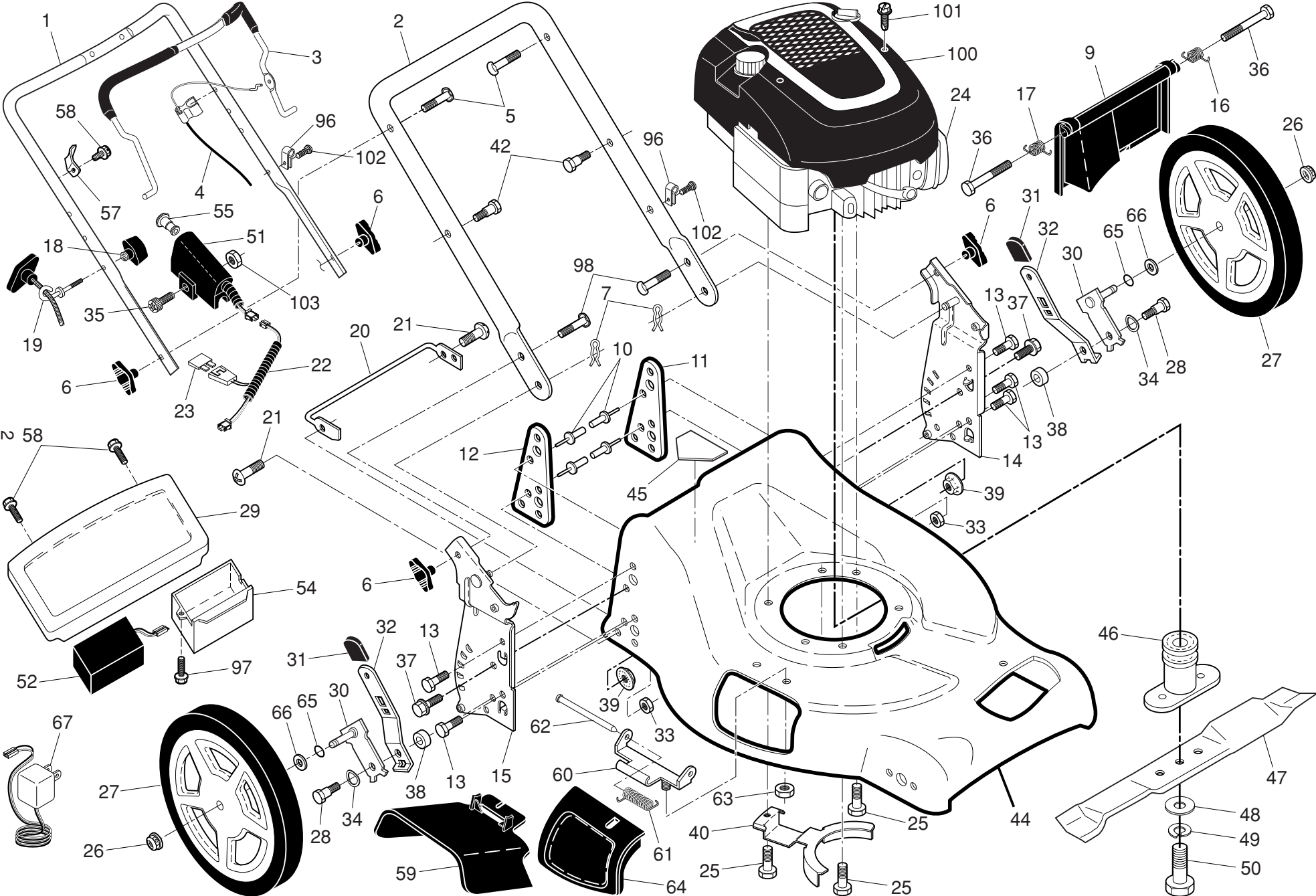
ILLUSTRATED PARTS LIST

MODEL NUMBER M53-190AWFEPX

PRODUCT NUMBER 961 41 02-81

MFG. ID. NUMBER 96141028101

McCULLOCH ROTARY LAWN MOWER - MODEL NO. M53-190AWFEPX (96141028101) PRODUCT NO. 961 41 02-81

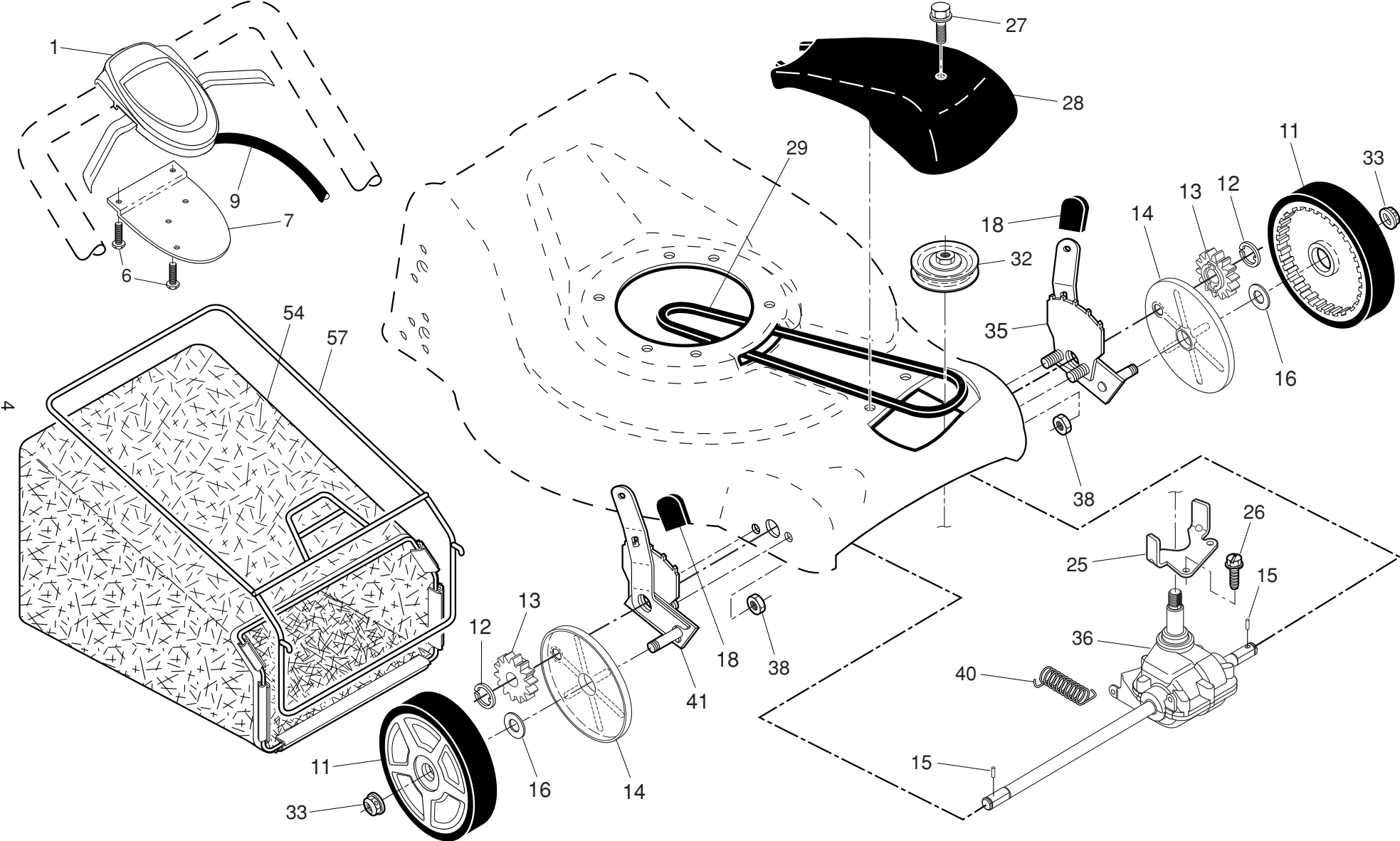


McCULLOCH ROTARY LAWN MOWER - MODEL NO. M53-190AWFEPX (96141028101) PRODUCT NO. 961 41 02-81

KEY NO.	PART NO.	DESCRIPTION	KEY NO.	PART NO.	DESCRIPTION	KEY NO.	PART NO.	DESCRIPTION
1	580 63 87-05	Upper Handle	29	532 41 11-90	Trimplate	57	532 43 00-34	Upstop Bracket
2	532 43 45-39	Lower Handle	30	532 41 31-41	Axle Arm Assembly, Rear	58	532 17 88-48	Screw, Hex Washer Head #10-16 x 5/8
3	580 84 91-04	Control Bar, Molded	31	532 08 78-77	Selector Knob	59	532 17 50-71	Discharge Deflector
4	532 41 53-50	Engine Zone Control Cable	32	532 40 98-89	Selector Spring	60	532 17 57-35	Hinge Bracket
5	532 19 15-74	Handle Bolt	33	873 80 05-00	Nut, Hex 5/16-18	61	532 19 30-00	Hinge Spring
6	532 19 19-38	Handle Knob	34	532 40 16-30	Washer, Curved, Cylindrical	62	532 17 56-50	Hinge Rod
7	532 05 17-93	Hairpin Cotter	35	532 44 66-94	Screw	63	873 80 04-00	Nut, Hex
9	532 40 69-85	Rear Door	36	532 18 41-93	Bolt	64	532 17 50-66	Mulcher Door
10	532 12 84-15	Pop Rivet	37	874 78 05-12	Screw, Sems, Thread Cutting 5/16-18 x 3/4	65	532 19 74-80	O-Ring
11	532 41 05-40	Support Bracket, LH	38	532 40 16-29	Spacer	66	532 08 83-48	Washer, Flat
12	532 41 05-42	Support Bracket, RH	39	532 15 53-77	Nut, Hex, Flanged 5/16-18	67	532 19 24-36	Charger, Battery
13	817 06 04-10	Screw 1/4-20 x 5/8	40	532 43 50-59	Belt Keeper	96	532 19 79-91	Clamp, Cable
14	532 43 45-13	Handle Bracket Assembly, LH	42	532 17 55-51	Bolt, Shoulder	97	817 41 13-08	Screw
15	532 43 45-12	Handle Bracket Assembly, RH	44	532 40 92-65	Kit, Lawn Mower Housing (Includes Key Numbers 10, 11, 12 and 45)	98	872 25 05-05	Bolt, Carriage
16	532 40 54-17	Spring, Rear Door, LH	45	532 18 21-66	Danger Decal	100	580 27 36-01	Shroud, Engine
17	532 40 54-18	Spring, Rear Door, RH	46	532 43 22-79	Blade Adapter / Pulley	101	581 79 50-01	Screw, Mounting, Engine Shroud
18	581 91 26-01	T-Knob	47	580 25 81-02	Blade, 21"	102	532 42 81-24	Fastener, Push
19	581 90 21-01	Rope Guide	48	532 85 10-74	Hardened Washer	103	532 44 66-95	Nut, Hex
20	532 43 61-19	Foot Guard, C.E.	49	532 85 02-63	Washer, Lock, Helical	--	532 18 21-91	Decal, Warning (not shown)
21	817 49 04-16	Screw, Tapping 1/4-20 x 1/2	50	532 85 10-84	Screw, Machine, Hex Head, Grade 8 3/8-24 x 1-3/8	--	115 62 93-20	Operator's Manual, European
22	580 80 59-01	Wiring Harness	51	580 91 55-01	Electric Start Assembly (Includes Switch Housing, Switch and Wiring Harness)	--	115 62 93-10	Operator's Manual, Scandinavian
23	532 42 59-37	Fuse, 40 Amp	52	532 18 95-89	Battery	--	115 62 93-50	Operator's Manual, East Bloc
24	---	Engine, Briggs & Stratton, Model Number 126T05-1624-H1 (order parts from B&S)	54	532 18 62-37	Box, Battery	--	115 62 93-40	Operator's Manual, Baltic
25	532 15 04-06	Screw, Hex Head, Threaded, Rolled 3/8-16 x 1-1/8	55	580 91 52-03	Button, Start			
26	532 40 91-49	Hex Flange Nut						
27	581 01 03-05	Wheel & Tire Assembly, Rear, 12"						
28	532 40 16-38	Shoulder Bolt 5/16-18 x .33						

NOTE: All component dimensions given in U.S. inches. 1 inch = 25.4 mm. **IMPORTANT:** Use only Original Equipment Manufacturer (O.E.M.) replacement parts. Failure to do so could be hazardous, damage your lawn mower and void your warranty.

McCULLOCH ROTARY LAWN MOWER - MODEL NO. M53-190AWFEPX (96141028101) PRODUCT NO. 961 41 02-81



McCULLOCH ROTARY LAWN MOWER - MODEL NO. M53-190AWFEPX (96141028101) PRODUCT NO. 961 41 02-81

KEY NO.	PART NO.	DESCRIPTION	KEY NO.	PART NO.	DESCRIPTION
1	581 08 09-17	Drive Control Assembly (Includes Cable)	28	532 43 26-63	Drive Cover Assembly (Includes Mounting Screw and Pushnut)
6	532 18 16-98	Screw	29	532 19 41-49	V-Belt
7	532 43 27-90	Mounting Bracket, Drive Control	32	532 44 32-62	Drive Pulley
9	584 82 61-01	Cable, Drive Control	33	532 40 91-48	Locknut, Hex
11	581 00 92-05	Wheel & Tire Assembly, Front (Driven)	35	532 43 84-85	Kit, Wheel Adjuster, LH (Includes Knob and Bearing)
12	812 00 00-58	E-Ring	36	532 40 48-33	Gearcase Assembly, Complete
13	532 40 38-49	Pinion Assembly	38	873 80 04-00	Locknut, Hex 1/4-20
14	581 84 04-01	Dust Cover	40	532 40 65-58	Spring
15	532 40 48-45	Pawl, Drive	41	532 43 84-86	Kit, Wheel Adjuster, RH (Includes Knob and Bearing)
16	532 06 77-25	Washer 1/2 x 1-1/2 x .134	54	580 95 34-04	Grassbag
18	532 08 78-77	Selector Knob	57	532 41 19-50	Frame, Grassbag
25	532 43 17-11	Belt Keeper			
26	532 16 34-09	Screw, Hi-Lo Thread #12 x 5/8			

5

NOTE: All component dimensions given in U.S. inches. 1 inch = 25.4 mm. **IMPORTANT:** Use only Original Equipment Manufacturer (O.E.M.) replacement parts. Failure to do so could be hazardous, damage your lawn mower and void your warranty.