

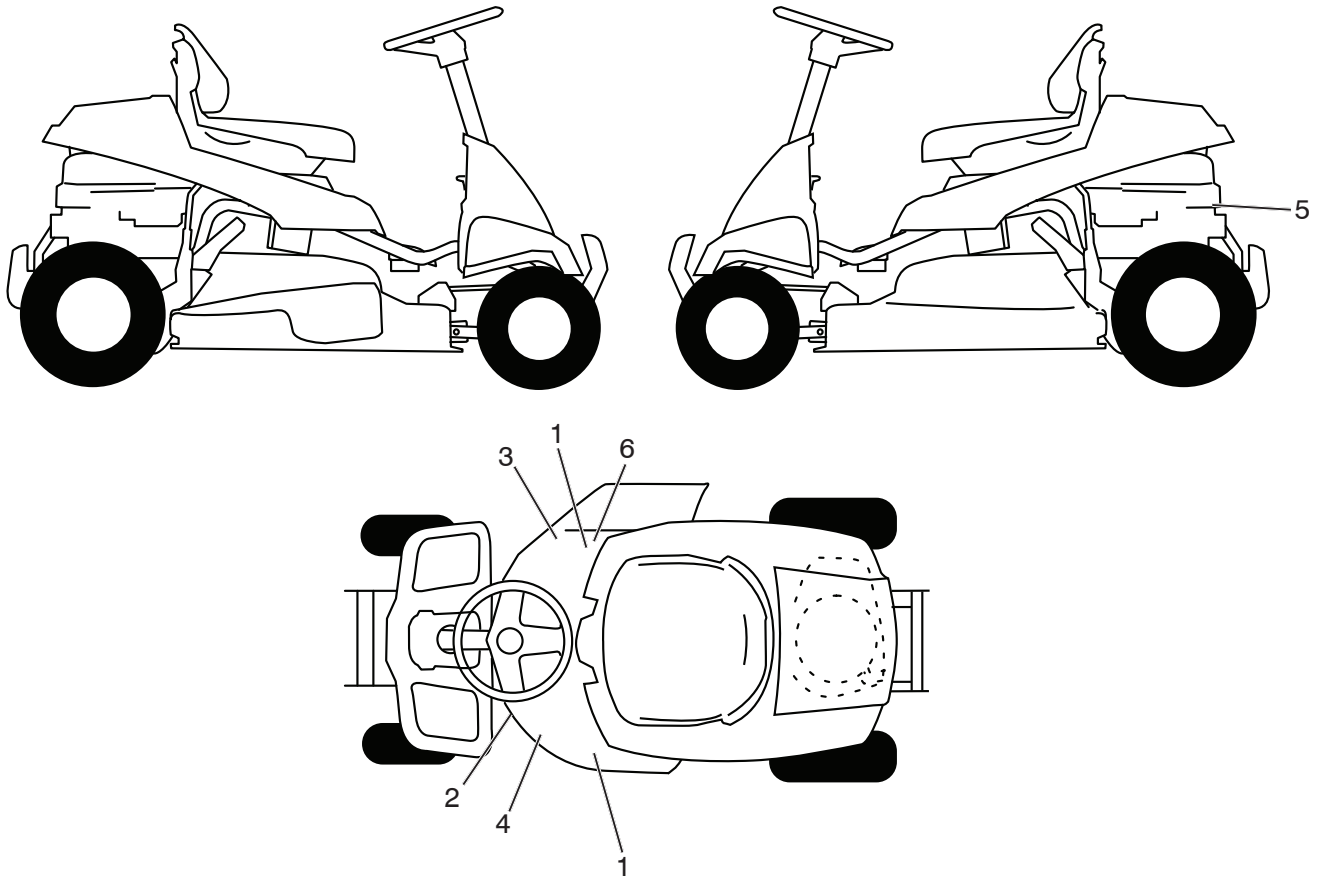
# **ILLUSTRATED PARTS LIST**

**MODEL NO. 96021002900**

**CUSTOMER CATALOG NO. M105-77XC**

**PRODUCT NO. 960 21 00-29**

**RIDING MOWER-- MODEL NO. M105-77XC (96021002900), PRODUCT NO. 96021 00-29  
DECALS 27**

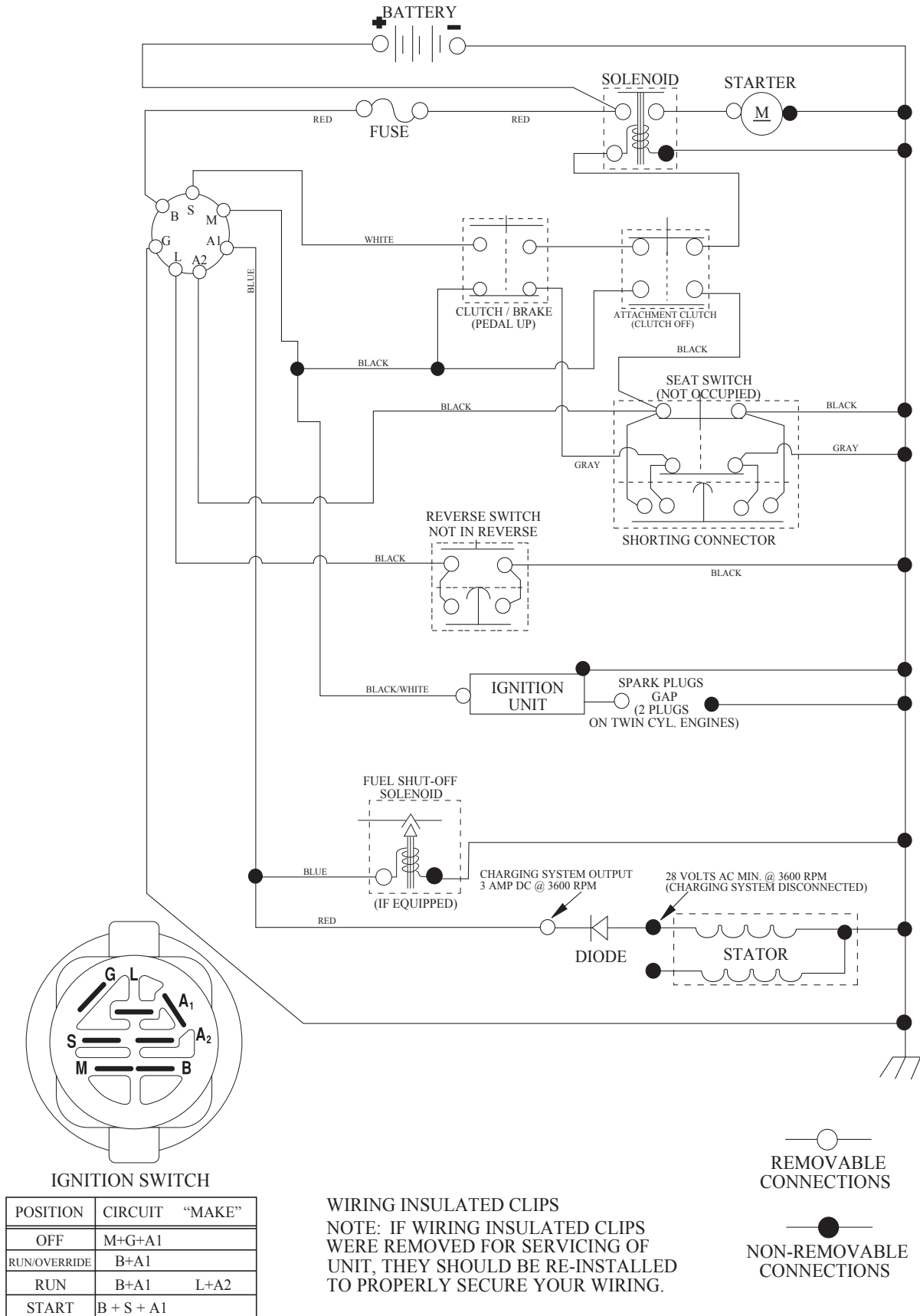


KEY NO.	PART NO.	DESCRIPTION
1	581 72 43-01	DECAL, DECK NO STEP
2	532 44 14-97	DECAL, V-BELT SCH
3	581 57 93-01	DECAL, WARN. DEFLECT/CTFGR
4	532 44 75-48	DECAL, DECK/DEFLECT
5	585 56 11-01	DECAL, ENGINE H.P.
6	584 90 46-01	DECAL, DECK/DEFLECT. WARNING
--	585 48 47-40	MANUAL OPER.MCC.EURO
--	585 48 48-50	MANUAL OPER.MCC.SCAN
--	585 48 49-20	MANUAL OPER.MCC.EBLOC
--	585 48 50-30	MANUAL OPER.MCC.BALTIC

**NOTE:** All component dimensions given in U.S. inches  
1 inch = 25.4 mm

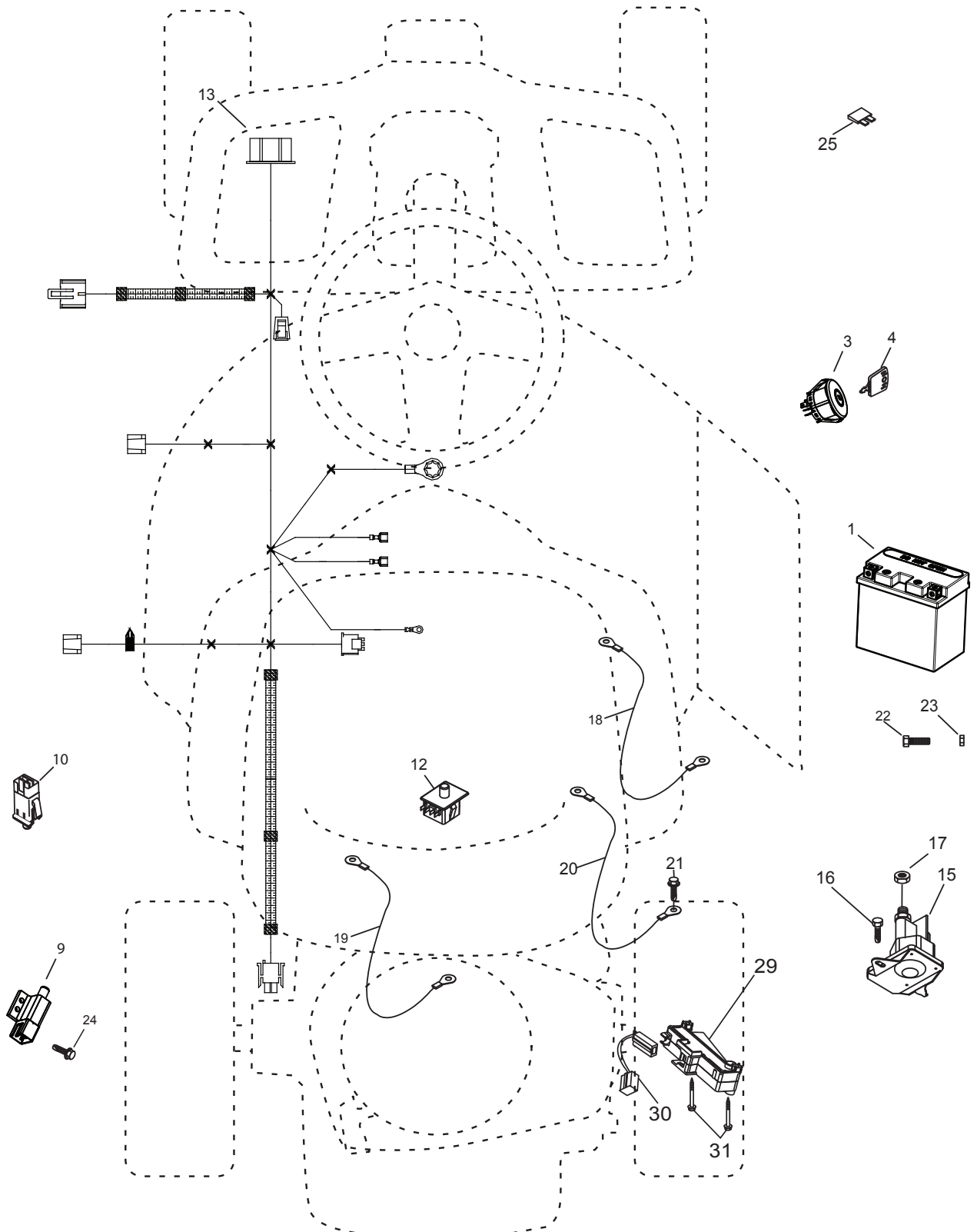
# RIDING MOWER--MODEL NO.M105-77XC (96021002900), PRODUCT NO.9602100-29 SCHEMATIC 38

SCH24



RIDING MOWER--MODEL NO.M105-77XC (96021002900),PRODUCT NO.9602100-29  
ELECTRICAL 32

LRV3

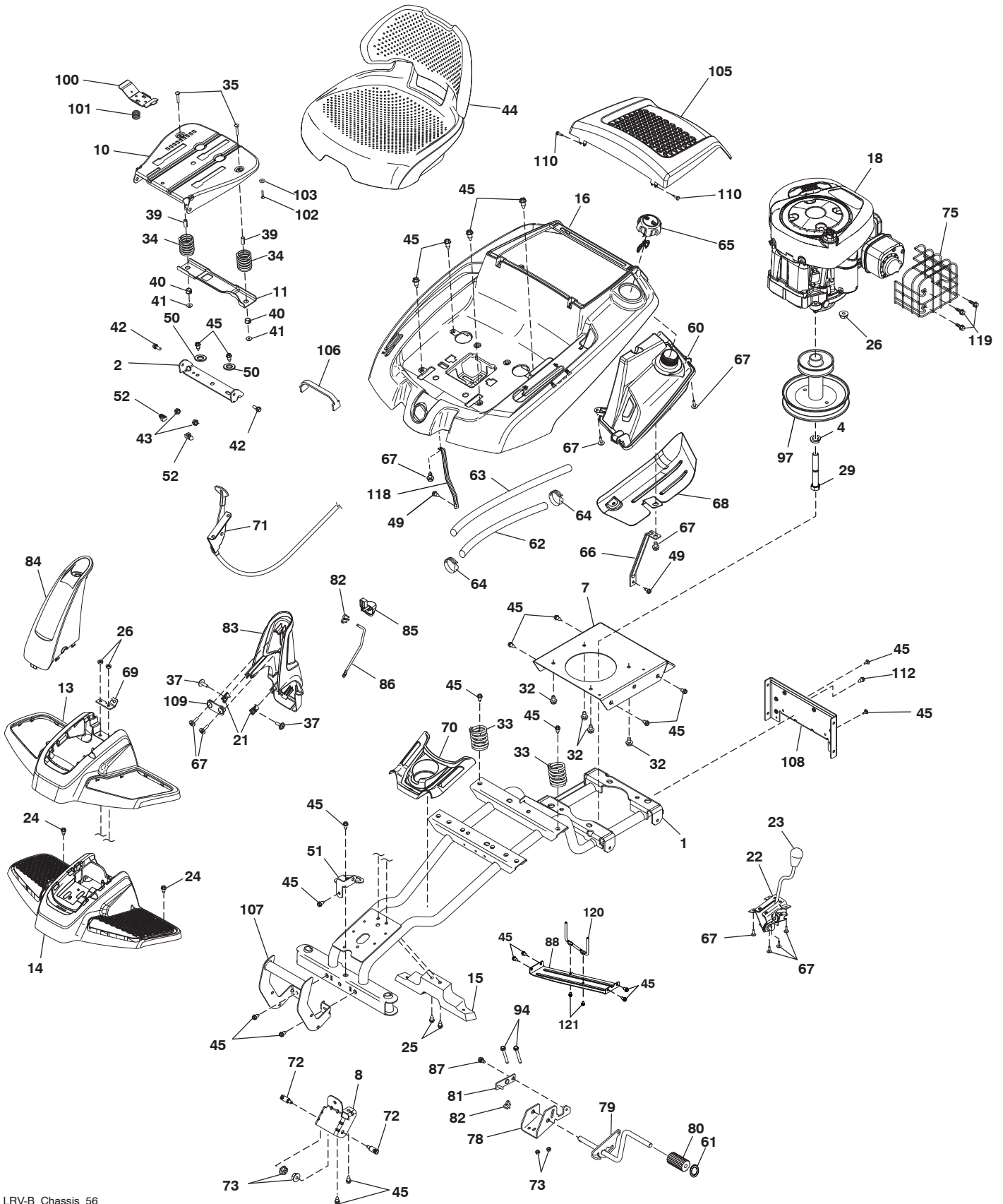


**RIDING MOWER--MODEL NO.M105-77XC (96021002900), PRODUCT NO.96021 00-29  
ELECTRICAL 32**

<b>KEY NO.</b>	<b>PART NO.</b>	<b>DESCRIPTION</b>
1	532 43 65-51	BATTERY
3	532 19 33-50	SWITCH, IGN, DLTA, P-IN, ROS
4	532 41 19-35	KEY/CHAIN
9	532 10 95-53	SWITCH, INTLK,CL, MWR, GRY
10	532 17 61-38	SWITCH, INTERLOCK, NONC,GRAY
12	532 19 27-49	SWITCH, SEAT, DP, ROS
13	584 29 96-01	HARNESS, IGN, ELECTSTART, LRV
15	532 19 25-07	SOLENOID
16	817 72 04-08	SCREW THD CUT 1/4-20 X 1/2 TY23
17	873 51 04-00	NUT KEPS HEX 1/4-20 UNC
18	532 41 66-94	CABLE BATTERY
19	532 42 12-99	CABLE STARTER
20	532 42 12-98	CABLE GROUND
21	817 06 05-12	SCREW 5/16-18 X 3/4
22	532 44 21-48	SCREW HEX M5X0.8.9MM
23	532 43 81-22	NUT M5
24	574 82 27-01	SCREW #10-24 X .75
25	532 43 48-99	FUSE, 10
29	532 19 18-34	MODULE REVERSE
30	581 62 52-01	JUMPER PIGTAIL
31	532 19 25-40	SCREW PLASTIC

**NOTE:** All component dimensions given in U.S. inches  
1 inch = 25.4 mm

RIDING MOWER--MODEL NO. M105-77XC (96021002900), PRODUCT NO. 96021 00-29  
CHASSIS AND ENCLOSURES **39**

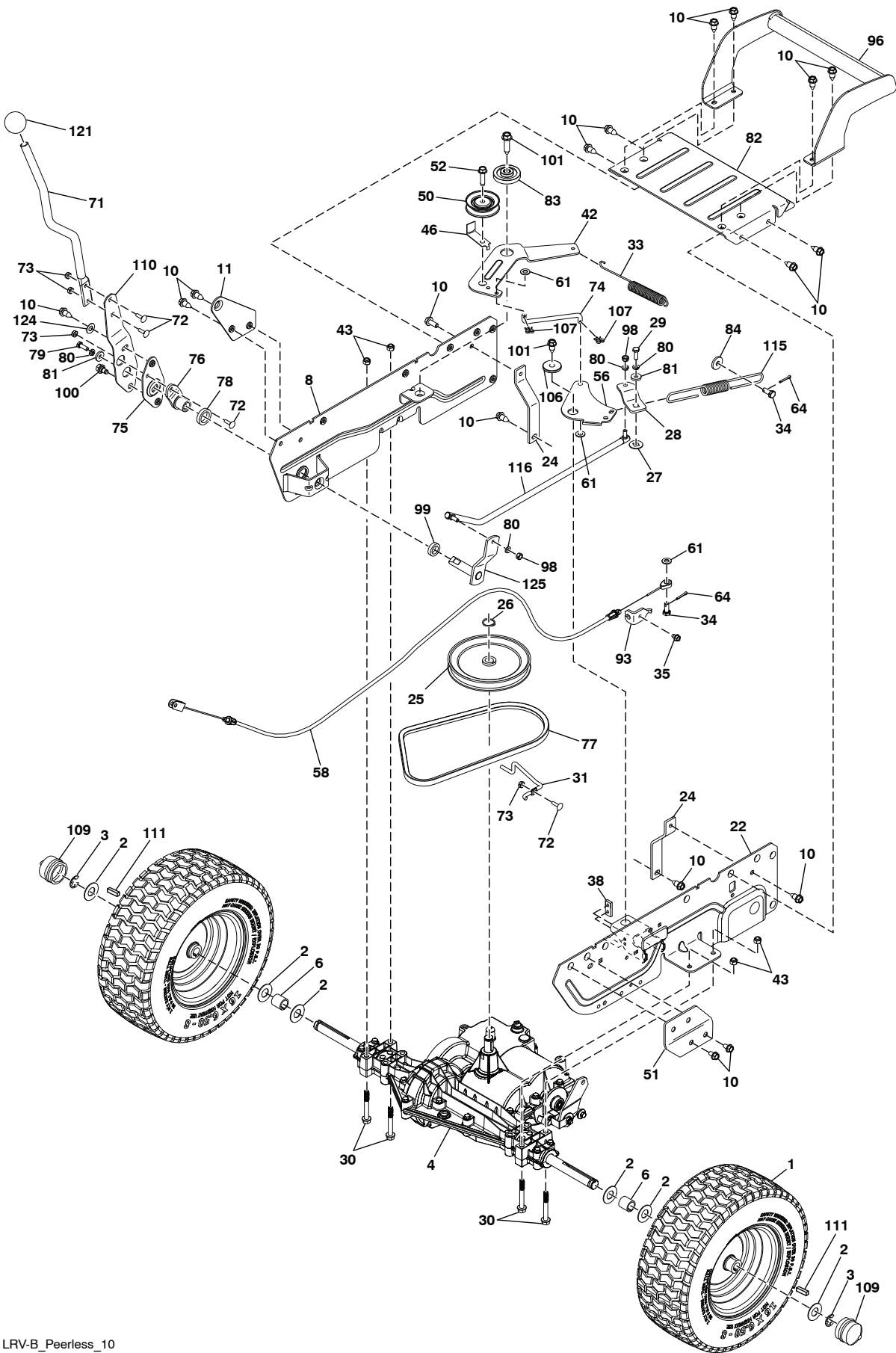


**RIDING MOWER--MODEL NO. M105-77XC (96021002900), PRODUCT NO. 96021 00-29  
CHASSIS AND ENCLOSURES 39**

KEY PART NO. NO.	DESCRIPTION	KEY PART NO. NO.	DESCRIPTION
1	532 43 61-76	64	532 12 34-87
2	532 18 01-66	65	581 17 61-01
4	810 04 07-00	66	532 43 66-06
7	532 43 61-77	67	532 42 17-56
8	587 58 18-01	68	532 43 98-51
10	532 44 18-05	69	532 43 74-27
11	532 19 93-70	70	532 44 20-68
13	532 44 20-71	71	532 43 78-57
14	532 44 20-75	72	532 19 51-61
15	532 44 20-69	73	873 90 05-00
16	584 97 69-13	75	585 88 30-01
18	-----	78	532 43 70-56
		79	532 43 70-57
		80	532 42 96-93
		81	532 43 73-74
21	585 52 35-01	82	532 16 94-84
22	586 04 19-01	83	587 68 64-03
23	532 14 98-46	84	587 38 86-07
24	532 41 63-58	85	532 43 76-60
25	872 14 04-24	86	532 43 87-62
26	873 51 04-00	87	532 16 54-92
29	581 63 62-01	88	581 51 40-02
32	817 06 06-20	94	874 49 05-48
33	532 12 41-81	97	581 43 80-01
34	532 12 37-40	100	532 19 76-61
35	872 05 04-12	101	532 19 82-00
37	532 14 18-41	102	874 76 06-12
39	532 13 43-00	103	819 13 38-12
40	532 12 12-48	105	532 44 79-92
41	532 12 39-76	106	532 43 68-34
42	532 17 18-52	107	532 44 20-74
43	873 80 05-00	108	532 43 71-68
44	532 43 66-12	109	532 43 90-08
45	817 00 05-12	110	532 44 21-45
49	817 06 05-16	112	817 72 04-08
50	819 13 20-16	118	532 44 50-02
51	532 42 88-56	119	586 42 27-01
52	532 14 50-06	120	588 06 46-01
60	532 43 78-56	121	817 60 04-06
61	587 01 57-02		
62	863 08 37-30		
63	532 41 41-19		

**NOTE:** All component dimensions given in U.S. inches  
1 inch = 25.4 mm

RIDING MOWER--MODEL NO. M105-77XC (96021002900), PRODUCT NO. 9602100-29  
 DRIVE **40**



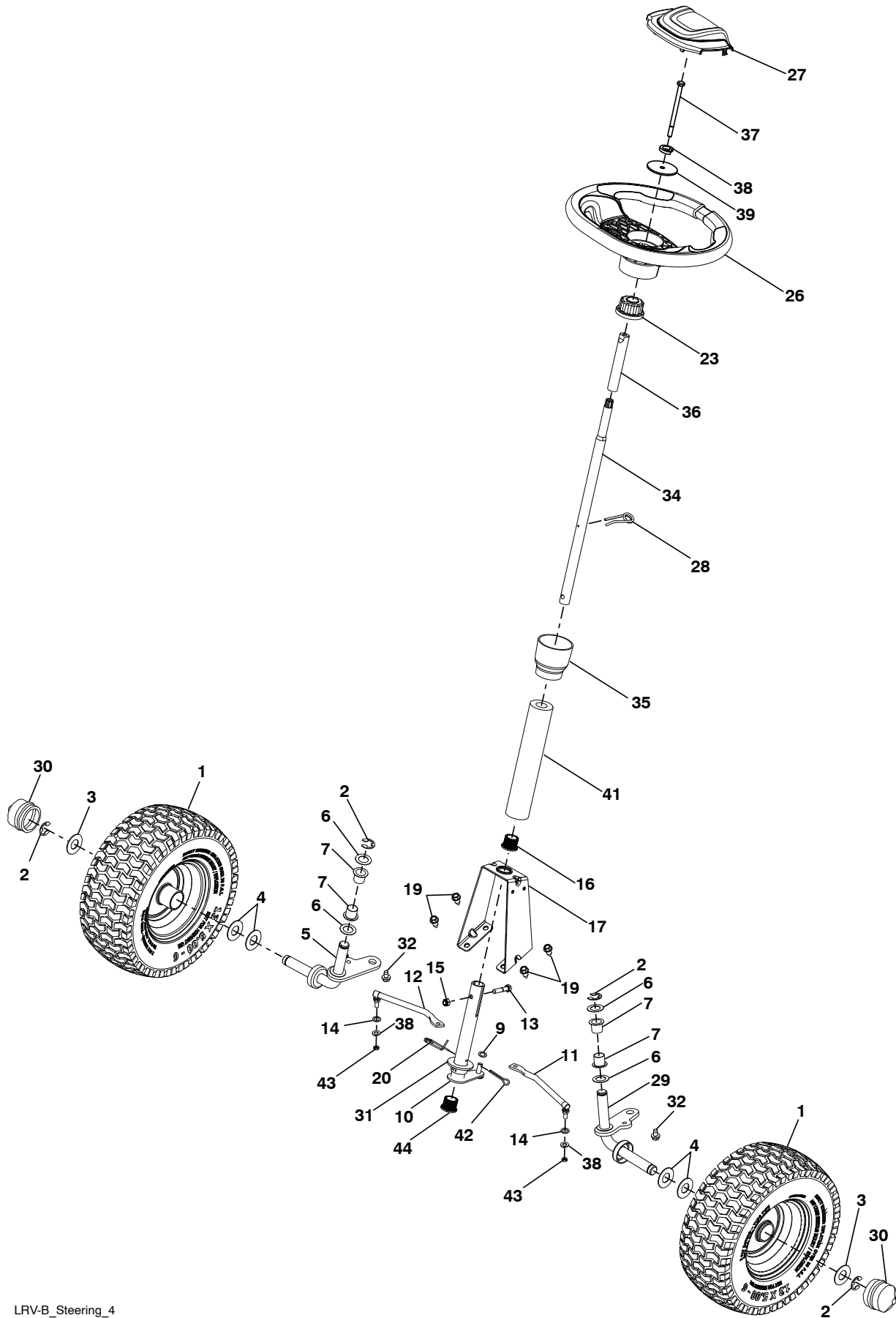


**RIDING MOWER--MODEL NO.M105-77XC (96021002900), PRODUCT NO.96021 00-29  
DRIVE **40****

KEY NO.	PART NO.	DESCRIPTION	KEY NO.	PART NO.	DESCRIPTION
1	532 44 20-79	WHEEL ASM (REAR)	75	532 42 84-64	BRACKET MOUNT SHIFT
2	532 12 17-48	WASHER, 16 GA.	76	532 44 43-04	HUB SHIFT
3	812 00 00-01	E-CLIP	77	581 60 59-01	BELT, DRIVE GOUND
4	584 83 63-01	TRANSMISSION	78	532 42 90-55	SPACER NYLON .866 X 1.25 X .250
6	532 15 69-72	SPACER AXLE	79	874 78 04-12	BOLT, HEX.1/4-20 UNC X .75
8	581 52 47-02	WELDMENT.SIDEPLATE.RH	80	810 04 04-00	WASHER LOCK HVY HLCLSPRING
10	817 00 05-12	SCREW 5/16 - 18 X 3/4	81	819 09 12-10	WASHER 9/32 X 3/4 X 10 GA.
11	532 43 67-41	BRACKET.SUPPORT.RH	82	581 52 52-02	COVER, REAR
22	581 52 46-02	WELDMENT.SIDEPLATE.LH	83	532 19 43-21	SPACER RETAINER
24	580 96 08-02	STRAP.TORQUE	84	819 11 16-10	WASHER
25	581 43 77-01	PULLEY.INPUT	93	532 42 80-70	BRAKE MOUNT
26	812 00 00-28	RING RETAINER	96	532 44 20-73	BUMPER REAR
27	532 10 57-01	WASHER PLATE	98	532 15 03-60	NUT LOCK CENTER 1/4-28
28	580 94 93-02	ARM, SHIFTER	99	581 04 92-01	SPACER.ARM SHIFTER
29	874 55 04-12	BOLT.1/4-28	100	532 16 54-92	BOLT,SHOULDER 5/16-18X .561
30	874 49 05-40	BOLT.HXFLGHD.5/16-18X2.1/5 G5	101	817 06 06-24	SCREW, 3/8-16X1-1/2 SMGML. TAP/R
31	581 43 81-02	KEEPER.BELT.DRIVE	106	532 19 90-92	SPACER RETAINER
33	581 59 31-01	SPRING ADJUSTER TENSION	107	532 17 80-62	CLIP
34	581 52 50-01	PIN, CROSSDRILLED	109	532 19 32-68	CAP, HUB AXLE 1.50 X 1.00
35	817 49 04-06	SCREW.1/4-20X3/8	110	532 42 84-61	BRACKET SHIFTER FLEX
38	581 22 30-01	PLATE.NUT	111	532 12 35-83	KEY, SQUARE
42	580 96 13-02	ARM, CLUTCHING	115	581 49 38-01	SPRING BRAKE
43	873 80 05-00	NUT LOCK HEX W/INSERT 5/16 - 18 UNC	116	580 94 92-01	SUBASM, LINK
46	581 44 42-02	KEEPER.BELT CLUTCHING	121	583 96 09-01	KNOB, SHIFT GEAR DRIVE
50	532 19 95-34	PULLEY V-IDLER	124	532-16 60-02	WASHER, SRRTD 5/16IDX 1.0 X125TK
51	532 43 67-39	BRACKET SUPPORT LH	125	580 94 98-02	SHAFT, SHIFT, GEARDRIVE
52	817 58 05-20	SCREW, THDRL			
56	581 44 40-02	BELLCRANK			
58	581 53 16-01	CABLE, BRAKE			
61	819 11 11-16	WASHER			
64	876 02 04-12	PIN, COTTER			
71	532 43 68-65	TUBE SHIFT LRV			
72	872 11 04-06	BOLT, CARRAIGE.1/4-20			
73	873 68 04-00	NUT CROWN LOCK 1/4 - 20 UNC			
74	580 96 12-01	LINK CLUTCHING			

**NOTE:** All component dimensions given in U.S. inches  
1 inch = 25.4 mm

RIDING MOWER-- MODEL NO. M105-77XC (96021002900), PRODUCT NO. 96021 00-29  
 STEERING ASSEMBLY **41**

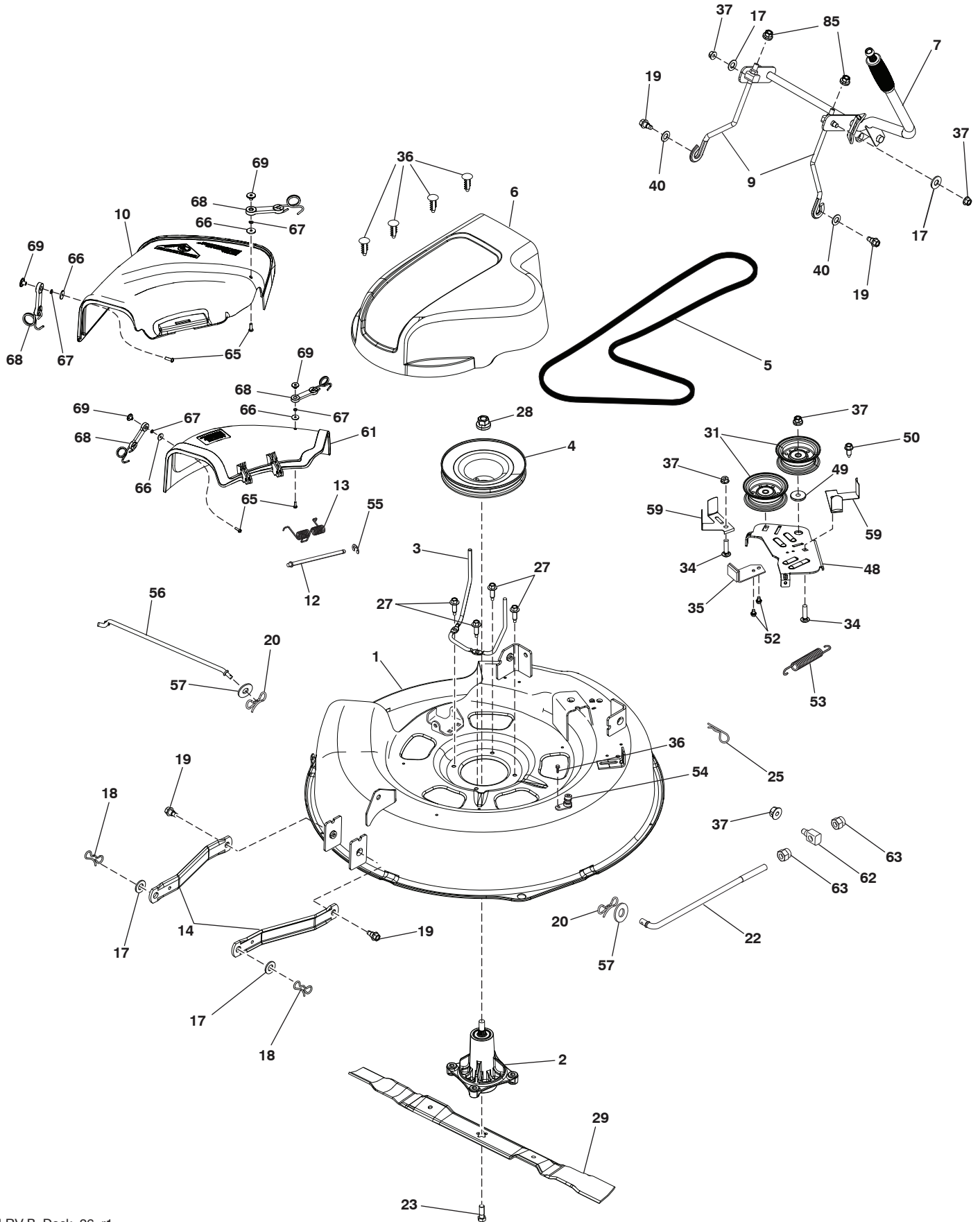


**RIDING MOWER--MODEL NO.M105-77XC (96021002900), PRODUCT NO.96021 00-29  
STEERING ASSEMBLY **41****

KEY PART NO.	PART NO.	DESCRIPTION
1	532 44 20-64	WHEEL TUBE
2	812 00 00-01	E-CLIP
3	532 18 89-67	WASHER, HARDENED
4	532 12 17-49	WASHER, 1/4 X 3/4
5	532 43 61-81	SPINDLE, RH
6	532 12 49-31	WASHER, HARDENED THRUST
7	532 12 49-37	BUSHING, STEERING COLUMN
9	819 13 14-14	WASHER
10	532 42 80-57	WELDMENT, LWR STRG SHAFT
11	532 43 61-83	LINK, STRNG LH
12	532 43 61-84	LINK, STRNG RH
13	874 78 05-24	BOLT, 5/16-18 X 1 1/2
14	819 11 12-16	WASHER 11/32 X 3/4 X 16 GA
16	532 42 87-94	BUSHING SNAP
15	873 80 05-00	NUT, 5/16-18
17	532 43 61-78	SUPPORT, UPPER STEERING
19	817 00 05-12	BOLT, 5/16-18 X 3/4
20	532 42 80-45	CLIP, RETAINER SPRING
23	532 43 77-47	ADAPTER, STEERING WHEEL
26	532 44 28-04	WHEEL, STEERING
27	532 44 77-59	CAP, STEERING WHEEL
28	532 19 98-49	CLIP, RETAINER SPRING
29	532 43 61-80	SPINDLE, LH
30	532 19 32-68	CAP, HUB, AXLE
31	819 34 32-10	WASHER 1-1/16 X 2 X 10GA.
32	817 58 05-20	SCREW HEXWSH THD 5/16-18 X 1-3/4
34	532 44 49-80	SHAFT STEERING UPPER
35	532 44 20-66	BOOT LOWER STEERING WHEEL
36	532 44 49-81	SHAFT EXTENSION STEERING SPLINE
37	747 80 51-04	5/16-18 X 6.5 HEADSCREW
38	810 04 05-00	WASHER LOCK HVY HLCL SPR 5/16
39	819 11 38-12	WASHER
41	532 43 65-90	FOAM SHAFT STEERING
42	532 42 10-76	PIN, 5/64 X 3/4 COTTER
43	873 54 05-00	CROWNLOCK NUT 5/16-24 UNF
44	532 42 80-44	BUSHING SNAP .75 ID

**NOTE:** All component dimensions given in U.S. inches  
1 inch = 25.4 mm

RIDING MOWER-- MODEL NO. M105-77XC (96021002900), PRODUCT NO. 9602100-29  
MOWER DECK 44



**RIDING MOWER--MODEL NO.M105-77XC (96021002900), PRODUCT NO.96021 00-29  
MOWER DECK 44**

<b>KEY NO.</b>	<b>PART NO.</b>	<b>DESCRIPTION</b>
1	584 46 83-02	DECK
2	587 25 33-01	MANDREL ASM
3	584 44 45-02	KEEPER, BELT
4	584 44 44-02	PULLEY, MANDREL
5	584 29 37-01	BELT
6	532 43 68-63	COVER, MANDREL
7	586 58 09-01	LIFT ASM, DECK
9	582 34 27-01	LINK. ASM LIFT ADJUSTABLE
10	532 43 64-56	DEFLECTOR; 30" LRVB
12	532 43 66-47	PIN, HINGE
13	532 43 74-62	SPRING, TORSION
14	532 19 51-85	ARM, MOWER SUPPORT
17	819 19 19-12	WASHER
18	532 19 42-09	PIN
19	532 19 65-39	BOLT, SHOULDER
20	532 19 42-08	PIN COTTER 5/16 BOW TIE LOCK
22	584 97 75-02	LINK ASM DECK
23	584 30 93-01	SCREW
25	532 12 47-88	RETAINER SPRING 1"
27	532 17 39-84	BOLT, MANDREL
28	532 40 02-34	NUT FLANGE LOCK TOP
29	532 41 92-73	BLADE
31	532 19 31-97	PULLEY, IDLER
34	872 11 06-12	BOLT, 3/8-16 X 1 1/2
35	532 19 94-77	ARM, BRAKE
36	532 13 77-29	SCREW THD ROLL 1/4-20 X 5/8
37	873 90 06-00	NUT, 3/8-16 FLANGE
40	819 17 16-16	WASHER, 16 GA.
48	586 84 36-01	ARM CLUTCHING
49	532 19 90-92	SPACER RETAINER
50	817 00 06-16	SCREW 3/8-16 X 1
52	817 60 04-06	SCREW 1/4-20 X 3/8
53	585 04 91-01	SPRING RETURN DECK
54	532 41 55-98	PORT WAHSOUT
55	532 43 79-88	E-RING 5/16
56	532 40 48-51	ROD ANTI-SWAY
57	819 13 13-12	WASHER 13/32 X 13/16 X 12 GA
59	532 43 68-58	GUARD TUV IDLER
61	532 43 64-55	COVER MULCH 30 INCH
62	532 17 62-05	TRUNION SUSPENSION ARM
63	532 17 59-94	NUT LIFT LINK 7/16-20
65	871 08 10-10	SCREW PAN HEAD 10-24 x 5/8
66	819 06 12-16	WASHER FLAT #10
67	810 07 10-00	LOCKWASHER
68	532 16 07-93	LATCH SUB ASSEMBLY
69	532 00 20-29	WELDNUT 10-24
85	873 35 06-00	NUT HEX JAM 3/8-16 UNC
--	586 34 45-01	ASM KIT BAGGER

**NOTE:** All component dimensions given in U.S. inches  
1 inch = 25.4 mm

