

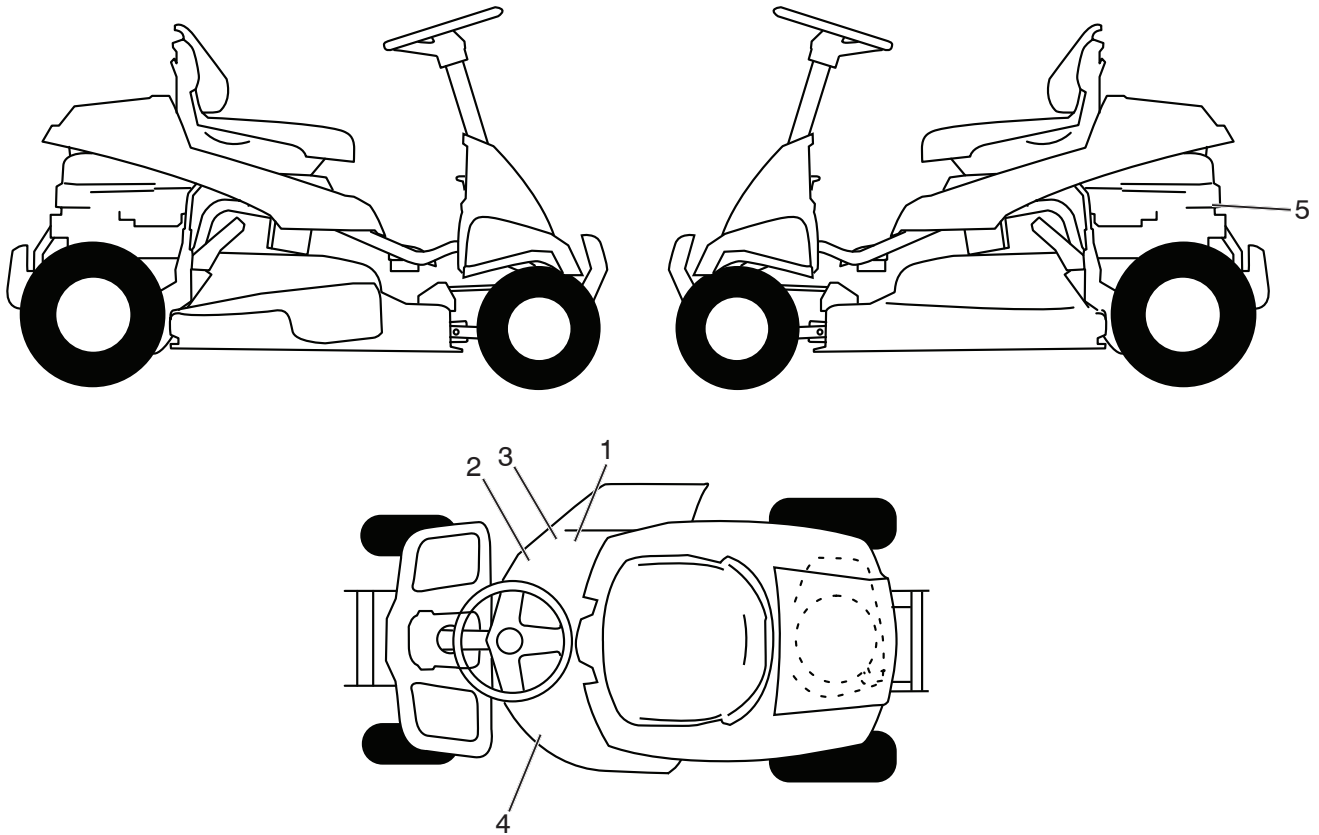
ILLUSTRATED PARTS LIST

MODEL NO. 96021002800

CUSTOMER CATALOG NO. M105-77X

PRODUCT NO. 960 21 00-28

**RIDING MOWER -- MODEL NO. M105-77X (96021002800), PRODUCT NO. 96021 00-28
DECALS 27**

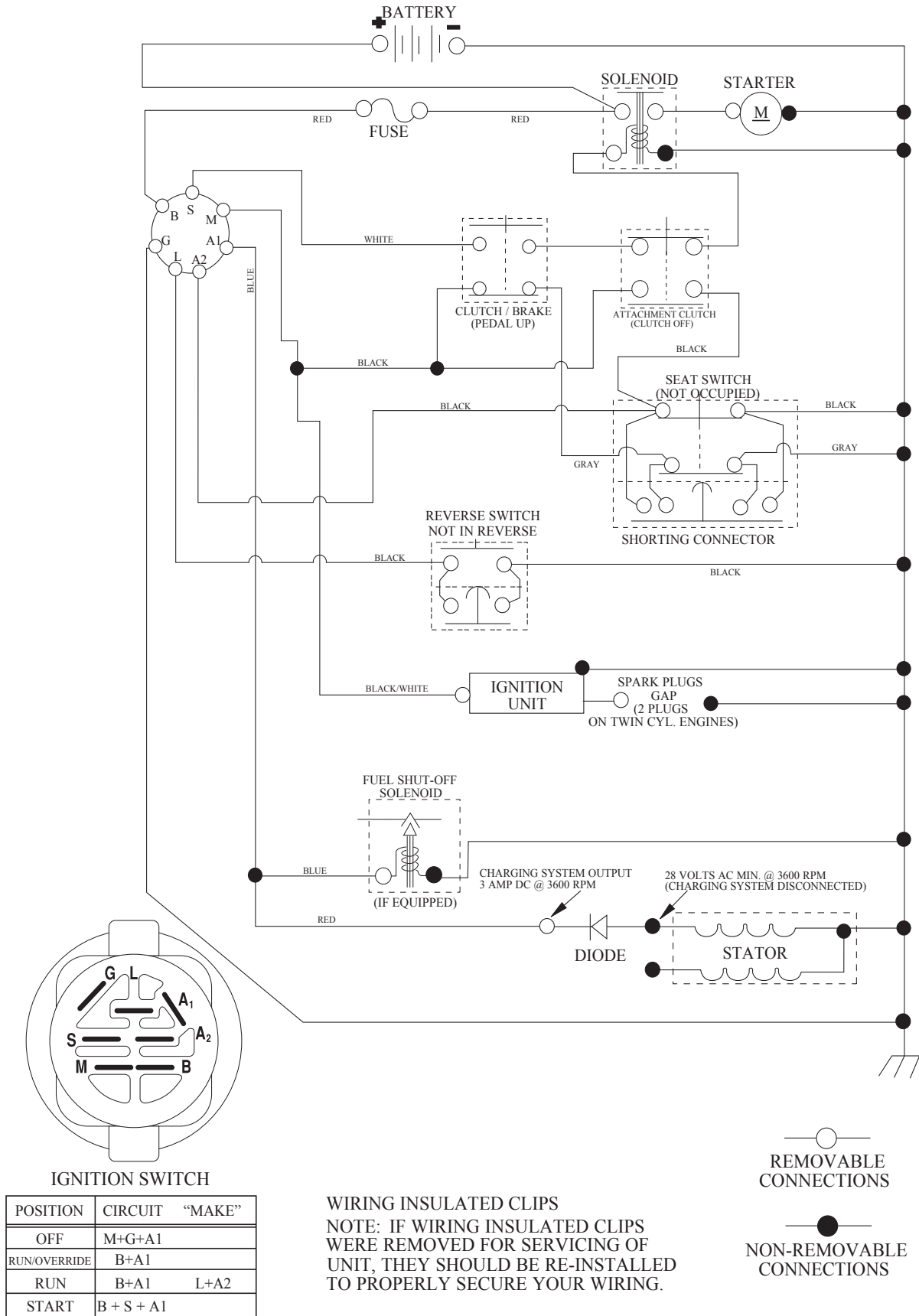


KEY NO.	PART NO.	DESCRIPTION
1	584 90 46-01	DECAL, DECK/DEFLECT. WARNING
2	532 44 14-97	DECAL, V-BELT SCH
3	581 57 93-01	DECAL, WARN. DEFLECT/CTFGR
4	532 44 75-47	DECAL, DECK/DEFLECT
5	585 56 11-01	DECAL, ENGINE H.P.
--	585 48 40-40	MANUAL OPER. EURO
--	585 48 40-50	MANUAL OPER. SCAN
--	585 48 40-20	MANUAL OPER. EBLOC
--	585 48 40-30	MANUAL OPER. BALTIC

NOTE: All component dimensions given in U.S. inches
1 inch = 25.4 mm

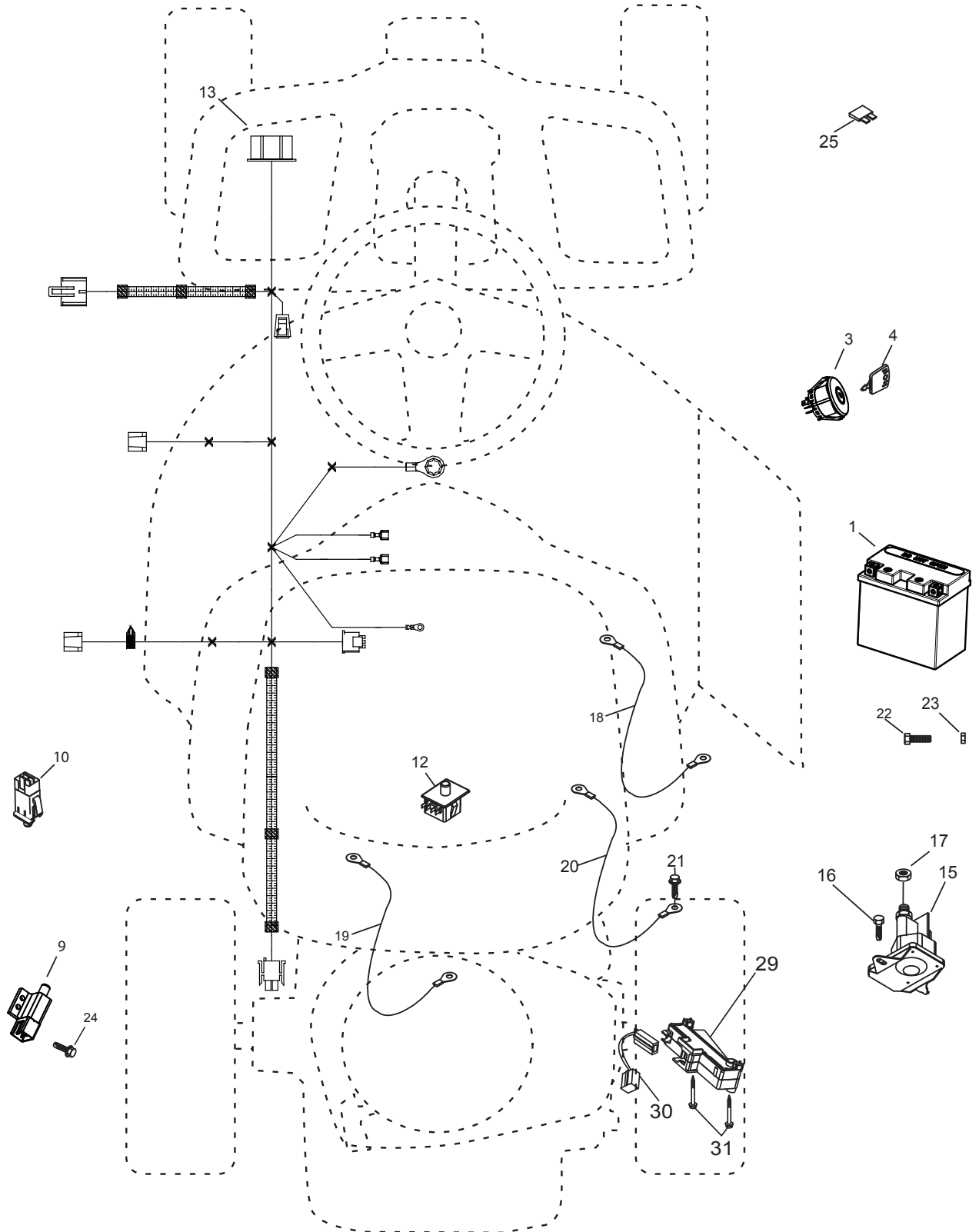
RIDING MOWER-- MODEL NO. M105-77X (96021002800), PRODUCT NO. 960 21 00-28 SCHEMATIC 38

SCH24



RIDING MOWER -- MODEL NO. M105-77X (96021002800), PRODUCT NO. 96021 00-28
ELECTRICAL **32**

LRV3

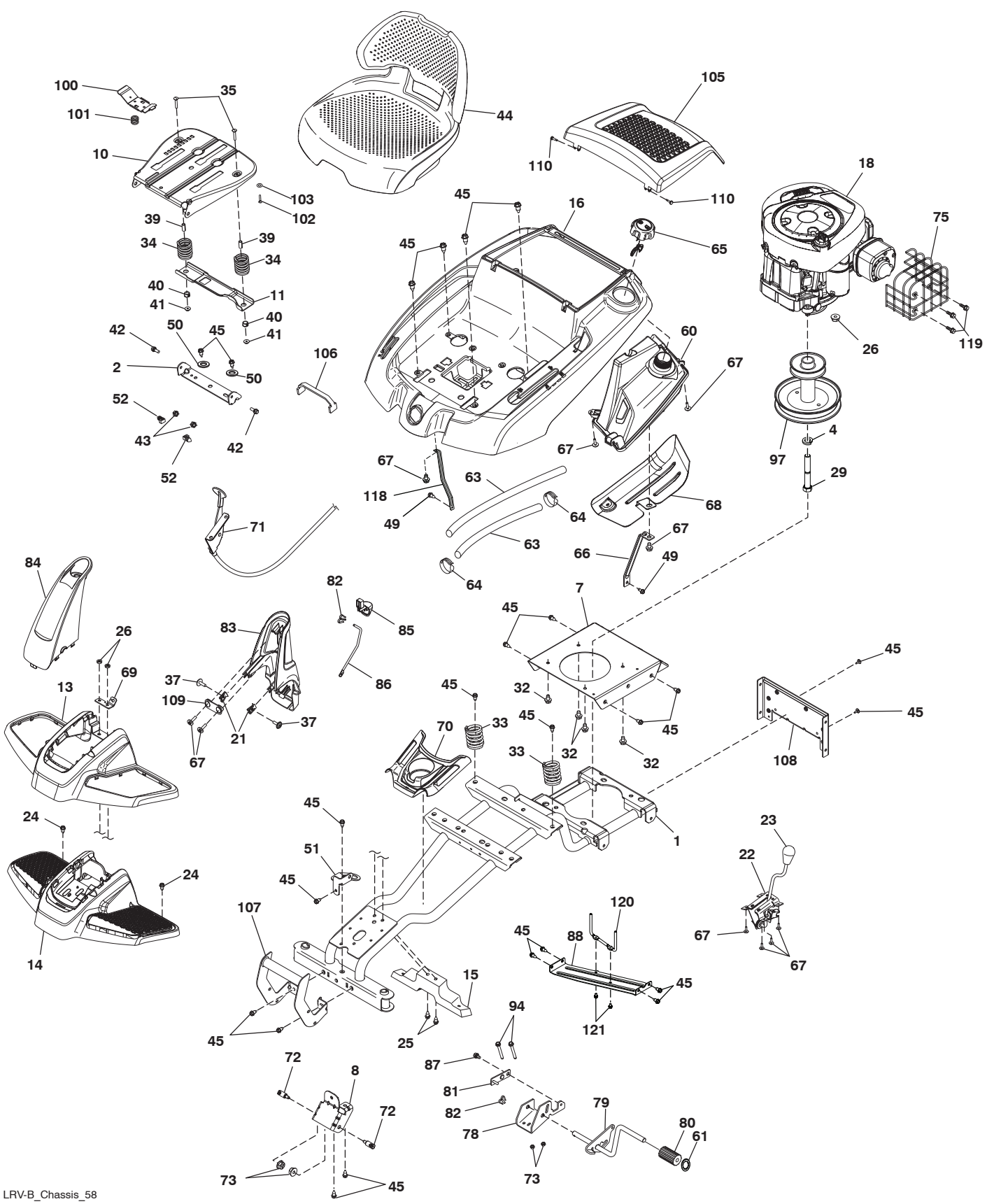


**RIDING MOWER-- MODEL NO. M105-77X (96021002800), PRODUCT NO. 960 21 00-28
ELECTRICAL 32**

KEY NO.	PART NO.	DESCRIPTION
1	532 43 65-51	BATTERY
3	532 19 33-50	SWITCH, IGN, DLTA, P-IN, ROS
4	532 41 19-35	KEY/CHAIN
9	532 10 95-53	SWITCH, INTLK,CL, MWR, GRY
10	532 17 61-38	SWITCH, INTERLOCK, NONC,GRAY
12	532 19 27-49	SWITCH, SEAT, DP, ROS
13	584 29 96-01	HARNESS, IGN, ELECTSTART, LRV
15	532 19 25-07	SOLENOID
16	817 72 04-08	SCREW THD CUT 1/4-20 X 1/2 TY23
17	873 51 04-00	NUT KEPS HEX 1/4-20 UNC
18	532 41 66-94	CABLE BATTERY
19	532 42 12-99	CABLE STARTER
20	532 42 12-98	CABLE GROUND
21	817 06 05-12	SCREW 5/16-18 X 3/4
22	532 44 21-48	SCREW HEX M5X0.8.9MM
23	532 43 81-22	NUT M5
24	574 82 27-01	SCREW #10-24 X .75
25	532 43 48-99	FUSE, 10
29	532 19 18-34	MODULE REVERSE
30	581 62 52-01	JUMPER PIGTAIL
31	532 19 25-40	SCREW PLASTIC

NOTE: All component dimensions given in U.S. inches
1 inch = 25.4 mm

RIDING MOWER -- MODEL NO. M105-77X (96021002800), PRODUCT NO. 96021 00-28
CHASSIS AND ENCLOSURES 39



LRV-B_Chassis_58

**RIDING MOWER-- MODEL NO. M105-77X (96021002800), PRODUCT NO. 960 21 00-28
CHASSIS AND ENCLOSURES 39**

KEY NO.	PART NO.	DESCRIPTION	KEY NO.	PART NO.	DESCRIPTION
1	532 43 61-76	WELDMENT, CHASSIS	65	581 17 61-01	FUEL CAP
2	532 18 01-66	BRACKET, SEAT'	66	532 43 66-06	FUEL TANK SUPPORT BRKT
4	810 04 07-00	WASHER LOCK	67	532 42 17-56	SCREW #10 X 0.500
7	532 43 61-77	PLATE, ENGINE	68	532 43 98-51	SHIELD HEAT
8	587 58 18-01	BRACKET, CHASSIS FRONT	69	532 43 74-27	BRACKET MOUNT CABLE
10	532 44 18-05	PAN, SEAT	70	532 44 20-68	CONSOLE CENTER CUPHOLD- ER
11	532 19 93-70	BRACKET, SWITCH MOUNTING	71	532 43 78-57	THROTTLE ASM
13	532 44 20-71	COVER, FOOT REST	72	532 19 51-61	STUD FASTNER
14	532 44 20-75	FOOTREST STRUCTURAL	73	873 90 05-00	NUT LOCK FLANGE 5/16-18
15	532 44 20-69	SUPPORT, FOOT REST	75	585 88 30-01	GUARD LRVB MUFFLER
16	584 97 69-13	PANEL CONTROL ASM	78	532 43 70-56	BRACKET SUPPORT ROD
18	-----	ENGINE, 21R507-0010-H1 (586191701) (NON-CALIFORNIA) (ORDER PARTS FROM ENGINE MANUFACTURER.)	79	532 43 70-57	BRAKE WELDMENT
21	585 52 35-01	CLIP	80	532 42 96-93	BRAKE PEDAL COVER
22	586 04 19-01	DECK CLUTCH ASM	81	532 43 73-74	WELDMENT LINK CONNECTING
23	532 14 98-46	KNOB	82	532 16 94-84	RETAINER CLIP
24	532 41 63-58	SCREW #10 X 0.750	83	587 68 64-03	COLUMN REAR STERRING ASM
25	872 14 04-24	BOLT	84	587 38 86-07	STEERING BOOT FRONT
26	873 51 04-00	NUT, 1/4-20	85	532 43 76-60	PARKING BRAKE HANDLE
29	581 63 62-01	BOLT HEX 7/16-20 X 3.5 GR.5	86	532 43 87-62	ACTUATOR PARKING BRAKE
32	817 06 06-20	SCREW 3/8-16 X 1-1/4	87	532 16 54-92	SHOULDER BOLT
33	532 12 41-81	SPRING, SEAT	88	581 51 40-02	CROSS BRACE
34	532 12 37-40	SPRING	94	874 49 05-48	BOLT
35	872 05 04-12	BOLT, 1/4-20 X 1 1/2	97	581 43 80-01	PULLEY ENGINE
37	532 14 18-41	SCREW 10-16 X .65	100	532 19 76-61	HANDLE SLIDE SEAT
39	532 13 43-00	SPACER	101	532 19 82-00	SPRING LATCH SEAT
40	532 12 12-48	BUSHING, NYLON SNAP	102	874 76 06-12	BOLT FIN HEX 3/8-16 UNC X 3/4
41	532 12 39-76	NUT, LOCK	103	819 13 38-12	WASHER 13/32 X 2 3/8 X 12 GA
42	532 17 18-52	BOLT, 5/16-18 SHOULDER	105	532 44 79-92	ENGINE COVER
43	873 80 05-00	NUT, 5/16-18	106	532 43 68-34	STRAP BATTERY
44	532 43 66-12	SEAT	107	532 44 20-74	FRONT BRUSH GUARD
45	817 00 05-12	BOLT, 5/16-18 X 3/4	108	532 43 71-68	COVER REAR TRANSAXLE
49	817 06 05-16	SCREW	109	532 43 90-08	BRAKE HANDLE PLATE
50	819 13 20-16	WASHER 13/32 X 1-1/4 X 16 GA.	110	532 44 21-45	CONTROL PANEL HINGE PIN
51	532 42 88-56	BRACKET	118	532 44 50-02	SUPPORT CONTROL PANEL RH
52	532 14 50-06	CLIP PUSH-IN HINGED	119	586 42 27-01	SCREW 8-18 X 1/2 HEX WASHER
60	532 43 78-56	FUEL TANK ASM	120	588 06 46-01	BELT KEEPER ENGINE
61	587 01 57-02	NUT PUSH	121	817 60 04-06	SCREW 1/4-20 X 3/8
63	532 41 41-19	PURGE LINE			
64	532 12 34-87	CLAMP HOSE			

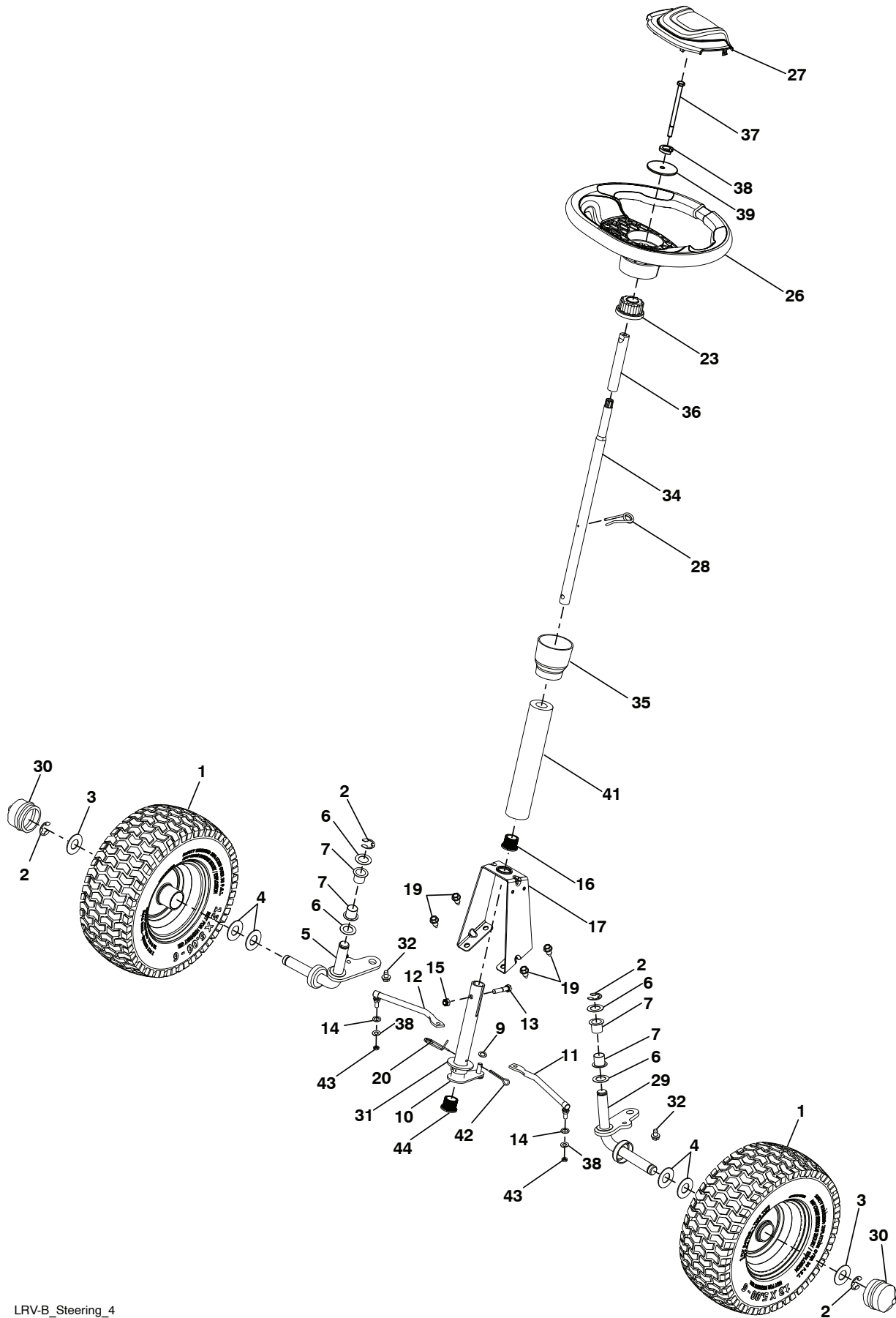
NOTE: All component dimensions given in U.S. inches
1 inch = 25.4 mm

**RIDING MOWER-- MODEL NO. M105-77X (96021002800), PRODUCT NO. 960 21 00-28
DRIVE **40****

KEY NO.	PART NO.	DESCRIPTION	KEY NO.	PART NO.	DESCRIPTION
1	532 44 20-79	WHEEL ASM (REAR)	81	819 09 12-10	WASHER 9/32 X 3/4 X 10 GA.
2	532 12 17-48	WASHER, 16 GA.	82	581 52 52-02	COVER, REAR
3	812 00 00-01	E-CLIP	83	532 19 43-21	SPACER RETAINER
4	584 83 63-01	TRANSMISSION	84	819 11 16-10	WASHER
6	532 15 69-72	SPACER AXLE	93	532 42 80-70	BRAKE MOUNT
8	581 52 47-02	WELDMENT.SIDEPLATE.RH	96	532 44 20-73	BUMPER REAR
10	817 00 05-12	SCREW 5/16 - 18 X 3/4	98	532 15 03-60	NUT LOCK CENTER 1/4-28
11	532 43 67-41	BRACKET.SUPPORT.RH	99	581 04 92-01	SPACER.ARM SHIFTER
22	581 52 46-02	WELDMENT.SIDEPLATE.LH	100	532 16 54-92	BOLT,SHOULDER 5/16-18X .561
24	580 96 08-02	STRAP.TORQUE	101	817 06 06-24	SCREW, 3/8-16X1-1/2 SMGML.TAP/R
25	581 43 77-01	PULLEY.INPUT	106	532 19 90-92	SPACER RETAINER
26	812 00 00-28	RING RETAINER	107	532 17 80-62	CLIP
27	532 10 57-01	WASHER PLATE	109	532 19 32-68	CAP, HUB AXLE 1.50 X 1.00
28	580 94 93-02	ARM, SHIFTER	110	532 42 84-61	BRACKET SHIFTER FLEX
29	874 55 04-12	BOLT.1/4-28	111	532 12 35-83	KEY, SQUARE
30	874 49 05-40	BOLT.HXFLGHD.5/16-18X2.1/5 G5	113	873 90 05-00	NUT LOCK HEX FLANGE 5/16-18
31	581 43 81-02	KEEPER.BELT.DRIVE	115	581 49 38-01	SPRING BRAKE
33	581 59 31-01	SPRING ADJUSTER TENSION	116	580 94 92-01	SUBASM, LINK
34	581 52 50-01	PIN, CROSSDRILLED	121	580 96 23-01	GRIP HANDLE
35	817 49 04-06	SCREW.1/4-20X3/8	124	532-16 60-02	WASHER, SRRTD 5/16IDX 1.0 X125TK
38	581 22 30-01	PLATE.NUT	125	580 94 98-02	SHAFT, SHIFT, GEARDRIVE
42	580 96 13-02	ARM, CLUTCHING			
46	581 44 42-02	KEEPER.BELT CLUTCHING			
50	532 19 95-34	PULLEY V-IDLER			
51	532 43 67-39	BRACKET SUPPORT LH			
52	817 58 05-20	SCREW, THDRL			
56	581 44 40-02	BELLCRANK			
58	581 53 16-01	CABLE, BRAKE			
61	819 11 11-16	WASHER			
64	876 02 04-12	PIN, COTTER			
71	532 43 68-65	TUBE SHIFT LRV			
72	872 11 04-06	BOLT, CARRAIGE.1/4-20			
73	873 68 04-00	NUT CROWNLOCK 1/4 - 20 UNC			
74	580 96 12-01	LINK CLUTCHING			
75	532 42 84-64	BRACKET MOUNT SHIFT			
76	532 44 43-04	HUB SHIFT			
77	581 60 59-01	BELT, DRIVE GOUND			
78	532 42 90-55	SPACER NYLON .866 X 1.25 X .250			
79	874 78 04-12	BOLT, HEX.1/4-20 UNC X .75			
80	810 04 04-00	WASHER LOCK HVY HLCL SPRING			

NOTE: All component dimensions given in U.S. inches
1 inch = 25.4 mm

RIDING MOWER -- MODEL NO. M105-77X (96021002800), PRODUCT NO. 96021 00-28
 STEERING ASSEMBLY **41**



**RIDING MOWER-- MODEL NO. M105-77X (96021002800), PRODUCT NO. 960 21 00-28
STEERING ASSEMBLY 41**

KEY NO.	PART NO.	DESCRIPTION
1	532 44 20-64	WHEEL TUBE
2	812 00 00-01	E-CLIP
3	532 18 89-67	WASHER, HARDENED
4	532 12 17-49	WASHER, 1/4 X 3/4
5	532 43 61-81	SPINDLE, RH
6	532 12 49-31	WASHER, HARDENED THRUST
7	532 12 49-37	BUSHING, STEERING COLUMN
9	819 13 14-14	WASHER
10	532 42 80-57	WELDMENT, LWR STRG SHAFT
11	532 43 61-83	LINK, STRNG LH
12	532 43 61-84	LINK, STRNG RH
13	874 78 05-24	BOLT, 5/16-18 X 1 1/2
14	819 11 12-16	WASHER 11/32 X 3/4 X 16 GA
16	532 42 87-94	BUSHING SNAP
15	873 80 05-00	NUT, 5/16-18
17	532 43 61-78	SUPPORT, UPPER STEERING
19	817 00 05-12	BOLT, 5/16-18 X 3/4
20	532 42 80-45	CLIP, RETAINER SPRING
23	532 43 77-47	ADAPTER, STEERING WHEEL
26	532 44 28-04	WHEEL, STEERING
27	532 44 77-59	CAP, STEERING WHEEL
28	532 19 98-49	CLIP, RETAINER SPRING
29	532 43 61-80	SPINDLE, LH
30	532 19 32-68	CAP, HUB, AXLE
31	819 34 32-10	WASHER 1-1/16 X 2 X 10GA.
32	817 58 05-20	SCREW HEXWSH THD 5/16-18 X 1-3/4
34	532 44 49-80	SHAFT STEERING UPPER
35	532 44 20-66	BOOT LOWER STEERING WHEEL
36	532 44 49-81	SHAFT EXTENSION STEERING SPLINE
37	747 80 51-04	5/16-18 X 6.5 HEADSCREW
38	810 04 05-00	WASHER LOCK HVY HLCL SPR 5/16
39	819 11 38-12	WASHER
41	532 43 65-90	FOAM SHAFT STEERING
42	532 42 10-76	PIN, 5/64 X 3/4 COTTER
43	873 54 05-00	CROWNLOCK NUT 5/16-24 UNF
44	532 42 80-44	BUSHING SNAP .75 ID

NOTE: All component dimensions given in U.S. inches
1 inch = 25.4 mm

**RIDING MOWER-- MODEL NO. M105-77X (96021002800), PRODUCT NO. 960 21 00-28
MOWER DECK 44**

KEY NO.	PART NO.	DESCRIPTION
1	584 46 83-02	DECK
2	587 25 33-01	MANDREL ASM
3	584 44 45-02	KEEPER, BELT
4	584 44 44-02	PULLEY, MANDREL
5	584 29 37-01	BELT
6	532 43 68-63	COVER, MANDREL
7	586 58 09-01	LIFT ASM, DECK
9	582 34 27-01	LINK. ASM LIFT ADJUSTABLE
10	532 43 64-56	DEFLECTOR; 30" LRVB
12	532 43 66-47	PIN, HINGE
13	532 43 74-62	SPRING, TORSION
14	532 19 51-85	ARM, MOWER SUPPORT
17	819 19 19-12	WASHER
18	532 19 42-09	PIN
19	532 19 65-39	BOLT, SHOULDER
20	532 19 42-08	PIN COTTER 5/16 BOW TIE LOCK
22	584 97 75-02	LINK ASM DECK
23	584 30 93-01	SCREW
25	532 12 47-88	RETAINER SPRING 1"
27	532 17 39-84	BOLT, MANDREL
28	532 40 02-34	NUT FLANGE LOCK TOP
29	532 41 92-73	BLADE
31	532 19 31-97	PULLEY, IDLER
34	872 11 06-12	BOLT, 3/8-16 X 1 1/2
35	532 19 94-77	ARM, BRAKE
36	532 13 77-29	SCREW THD ROLL 1/4-20 X 5/8
37	873 90 06-00	NUT, 3/8-16 FLANGE
40	819 17 16-16	WASHER, 16 GA.
48	586 84 36-01	ARM CLUTCHING
49	532 19 90-92	SPACER RETAINER
50	817 00 06-16	SCREW 3/8-16 X 1
52	817 60 04-06	SCREW 1/4-20 X 3/8
53	585 04 91-01	SPRING RETURN DECK
54	532 41 55-98	PORT WASHOUT
55	532 43 79-88	E-RING 5/16
56	532 40 48-51	ROD ANTI-SWAY
57	819 13 13-12	WASHER 13/32 X 13/16 X 12 GA
59	532 43 68-58	GUARD TUV IDLER
61	532 43 64-55	COVER MULCH 30 INCH
62	532 17 62-05	TRUNION SUSPENSION ARM
63	532 17 59-94	NUT LIFT LINK 7/16-20
65	871 08 10-10	SCREW PAN HEAD 10-24 X 5/8
66	819 06 12-16	WASHER FLAT #10
67	810 07 10-00	LOCKWASHER
68	532 16 07-93	LATCH SUB ASSEMBLY
69	532 00 20-29	WELDNUT 10-24
85	873 35 06-00	NUT HEX JAM 3/8-16 UNC

NOTE: All component dimensions given in U.S. inches
1 inch = 25.4 mm

