

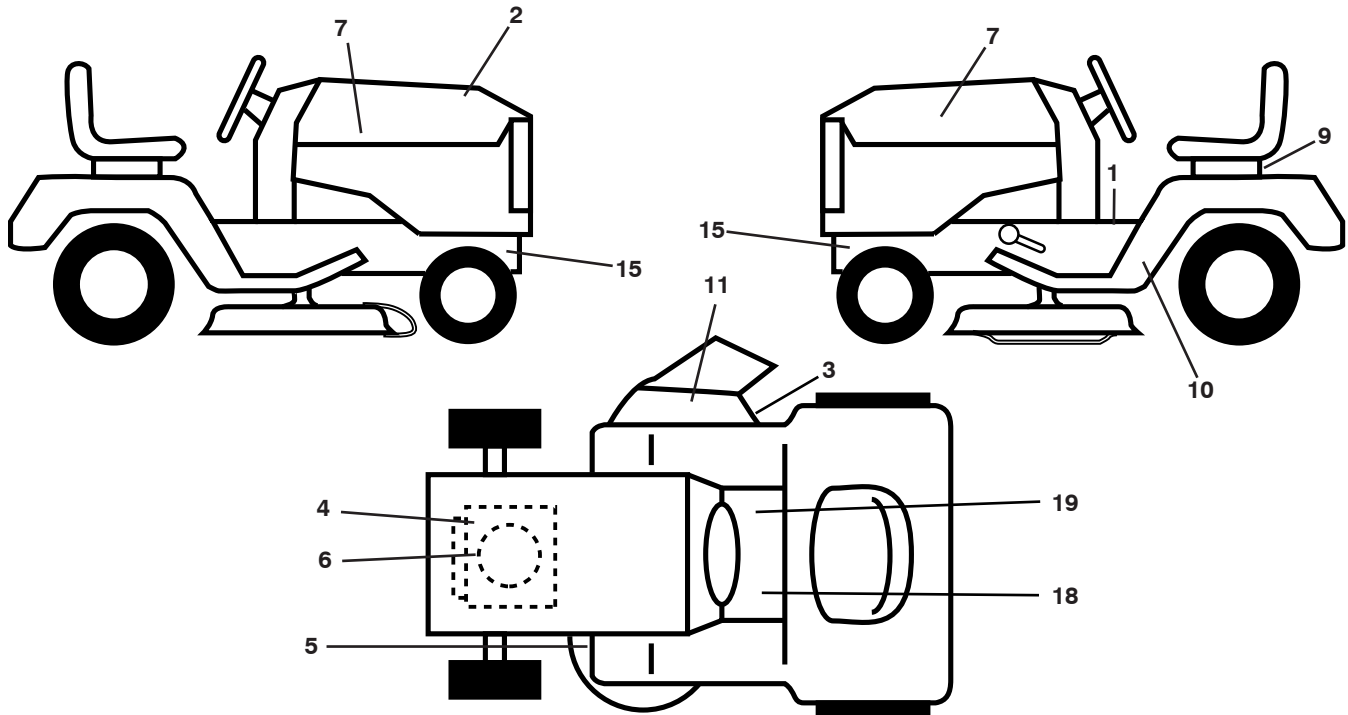
# **ILLUSTRATED PARTS LIST**

**MODEL NO. 96041035600**

**CUSTOMER CATALOG NO. M185-117T**

**PRODUCT NO. 960 41 03-56**

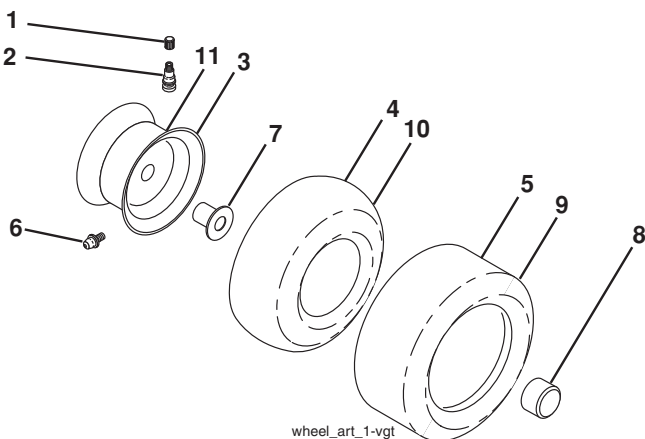
**TRACTOR -- MODEL NO. M185-117T (96041035600), PRODUCT NO. 960 41 03-56  
DECALS 27**



| KEY NO. | PART NO.     | DESCRIPTION             |
|---------|--------------|-------------------------|
| 1       | 581 57 81-01 | Decal, Warning Sym.     |
| 2       | 581 59 20-01 | Decal, RPL              |
| 3       | 581 57 92-01 | Decal, Warning          |
| 4       | 581 57 97-01 | Decal, Warning Engine   |
| 5       | 581 58 00-01 | Decal, V-Belt Sch.      |
| 6       | 532 43 74-20 | Decal, Eng. HP          |
| 7       | 581 09 12-01 | Decal, Hood LH/RH       |
| 9       | 532 14 50-05 | Decal, Battery Dnge/Poi |
| 10      | 581 53 32-01 | Decal, Fender Side      |
| 11      | 584 90 46-01 | Decal, Deflect. Warning |
| 15      | 581 57 96-01 | Decal, Hot Muffler      |

| KEY NO. | PART NO.     | DESCRIPTION                 |
|---------|--------------|-----------------------------|
| 18      | 581 72 40-01 | Decal, Clutch/Brake         |
| 19      | 581 57 80-01 | Decal, Saddle Brake Parking |
| --      | 581 72 48-01 | Decal, Bypass               |
| --      | 581 72 46-01 | Decal, Load Limit           |
| --      | 532 40 95-05 | Pad, Footrest, LH           |
| --      | 532 40 95-07 | Pad, Footrest, RH           |
| --      | 585 41 99-40 | Manual, Oper Euro           |
| --      | 585 41 99-50 | Manual, Oper Scand          |
| --      | 585 41 99-20 | Manual, Oper E-Bloc         |
| --      | 585 41 99-30 | Manual, Oper Baltic         |

**WHEELS AND TIRES**



| KEY NO. | PART NO.     | DESCRIPTION                        |
|---------|--------------|------------------------------------|
| 1       | 532 05 91-92 | Cap, Valve, Tire                   |
| 2       | 532 06 51-39 | Stem, Valve                        |
| 3       | 532 12 51-21 | Rim Assembly, Front                |
| 4       | 532 05 99-04 | Tube, Front (Service Item Only)    |
| 5       | 532 10 62-22 | Tire, Front                        |
| 6       | 532 12 49-57 | Fitting, Grease (Front Wheel Only) |
| 7       | 532 12 49-59 | Bearing, Flange (Front Wheel Only) |
| 8       | 532 19 32-68 | Cap, Axle                          |
| 9       | 532 13 84-68 | Tire, Rear                         |
| 10      | 532 12 49-26 | Tube, Rear (Service Item Only)     |
| 11      | 532 12 51-22 | Rim Assembly, Rear                 |
| --      | 532 14 43-34 | Sealant, Tire (10 oz. Tube)        |

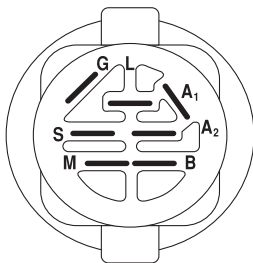
**NOTE:** All component dimensions given in U.S. inches  
1 inch = 25.4 mm

# TRACTOR - - MODEL NO. M185-117T (96041035600), PRODUCT NO. 960 41 03-56

## SCHEMATIC **38**

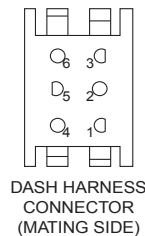
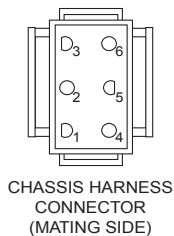
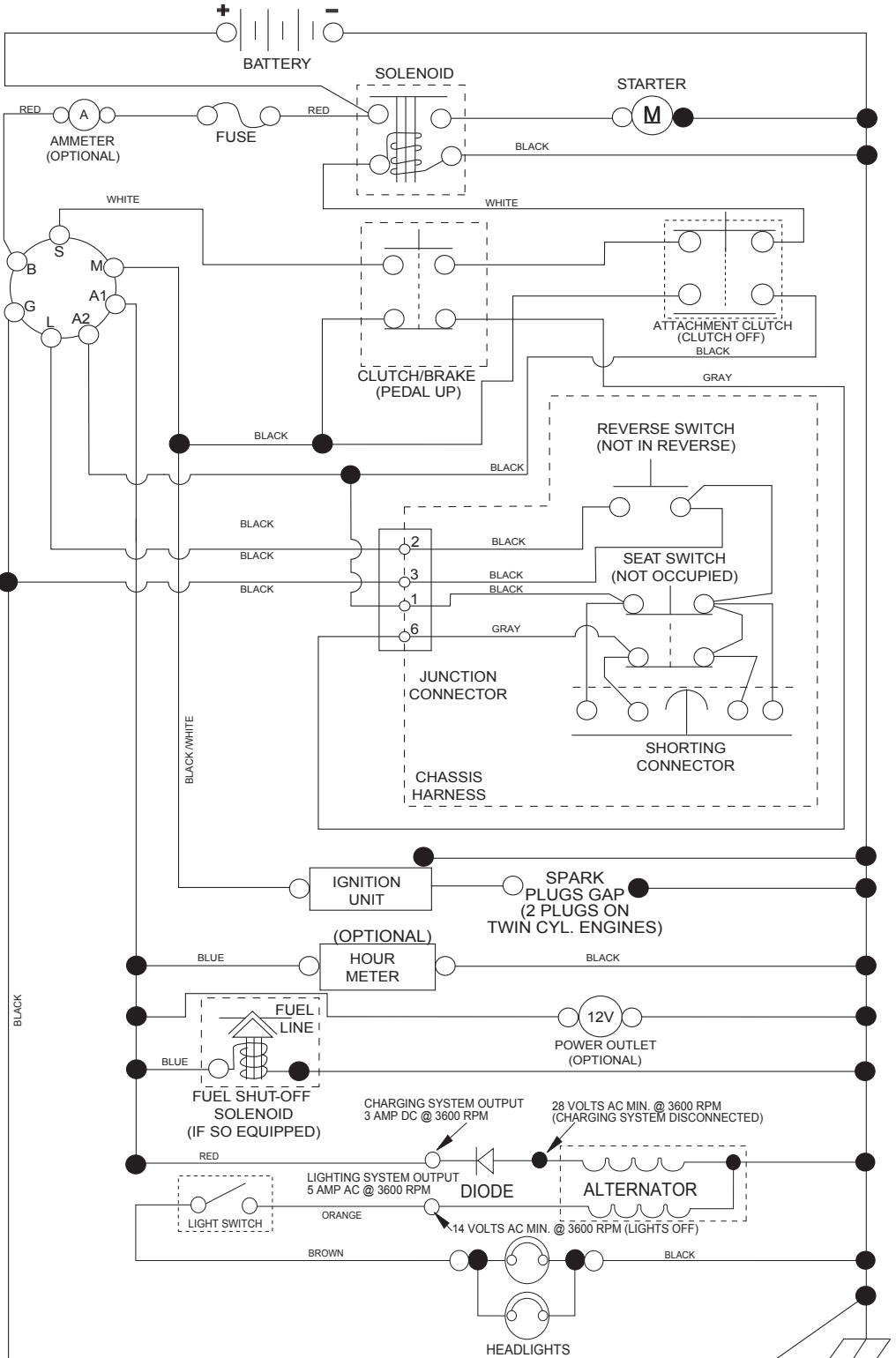
SCH11

**NOTE**  
 YOUR TRACTOR IS EQUIPPED WITH A SPECIAL ALTERNATOR SYSTEM. THE LIGHTS ARE NOT CONNECTED TO THE BATTERY, BUT HAVE THEIR OWN ELECTRICAL SOURCE. BECAUSE OF THIS, THE BRIGHTNESS OF THE LIGHTS WILL CHANGE WITH ENGINE SPEED. AT IDLE THE LIGHTS WILL DIM. AS THE ENGINE IS SPEEDED UP, THE LIGHTS WILL BECOME THEIR BRIGHTEST.

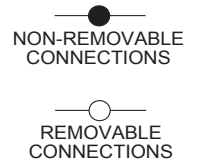


**IGNITION SWITCH**

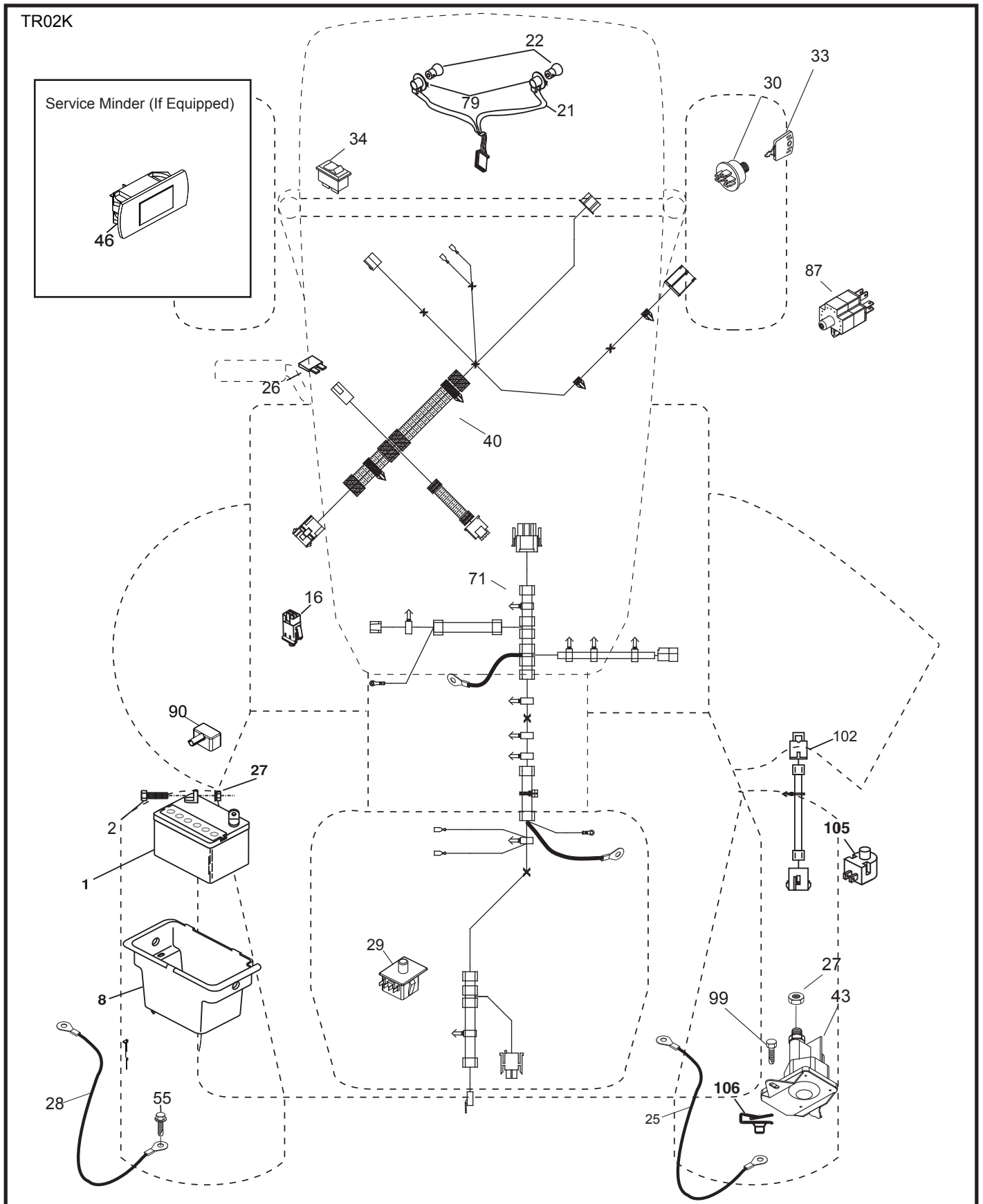
| POSITION     | CIRCUIT    | "MAKE" |
|--------------|------------|--------|
| OFF          | M+G+A1     |        |
| RUN/OVERRIDE | B+A1       |        |
| RUN          | B+A1       | L+A2   |
| START        | B + S + A1 |        |



WIRING INSULATED CLIPS  
 NOTE: IF WIRING INSULATED CLIPS WERE REMOVED FOR SERVICING OF UNIT, THEY SHOULD BE RE-INSTALLED TO PROPERLY SECURE YOUR WIRING.



TRACTOR -- MODEL NO. M185-117T (96041035600), PRODUCT NO. 960 41 03-56  
ELECTRICAL **32**

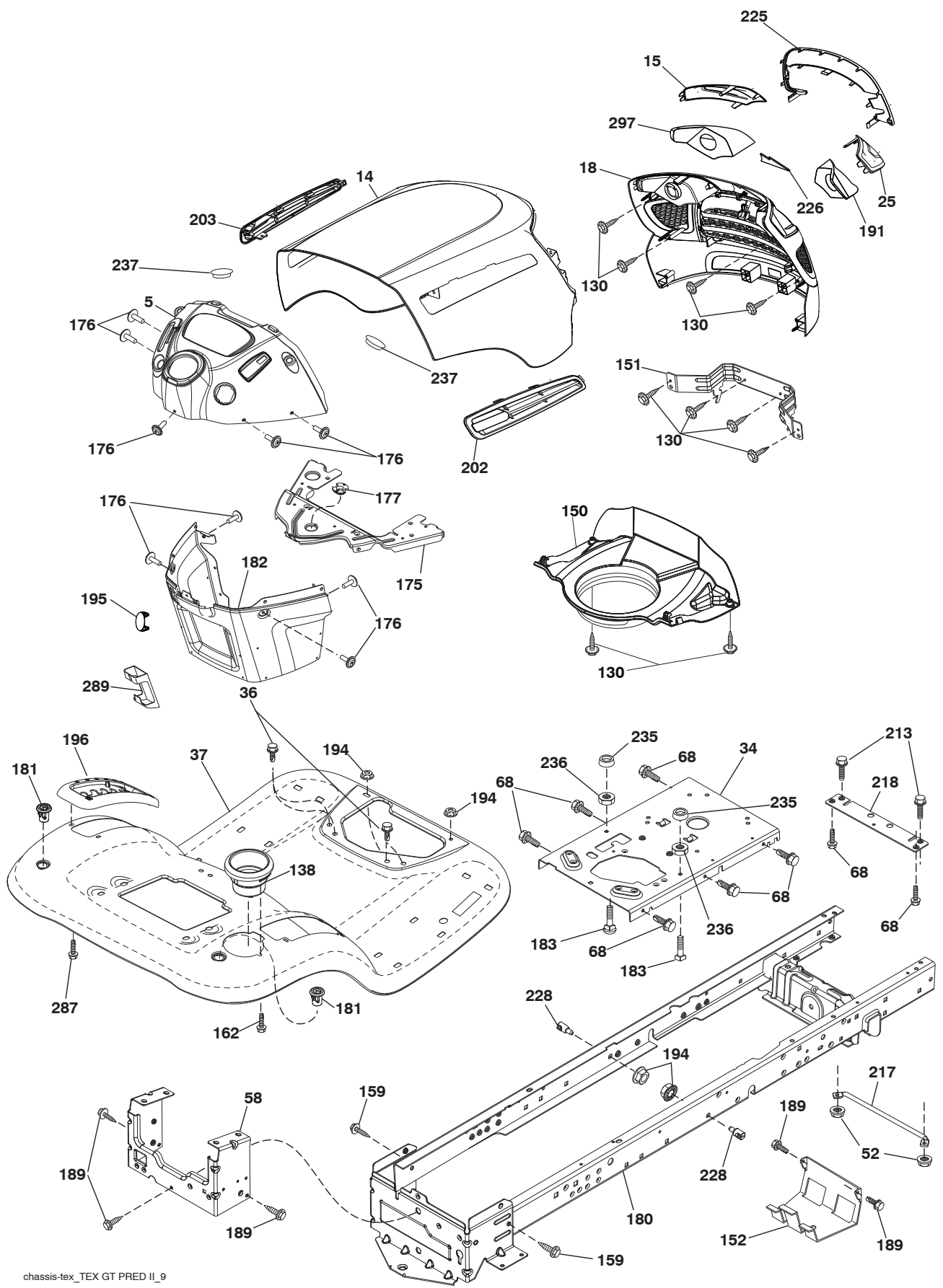


**TRACTOR - - MODEL NO. M185-117T (96041035600), PRODUCT NO. 960 41 03-56  
ELECTRICAL 32**

| <b>KEY NO.</b> | <b>PART NO.</b> | <b>DESCRIPTION</b>              |
|----------------|-----------------|---------------------------------|
| 1              | 532 16 34-65    | Battery                         |
| 2              | 874 76 04-12    | Bolt Hex Head 1/4-20 x 3/4      |
| 8              | 532 19 32-28    | Box Battery                     |
| 16             | 532 17 61-38    | Switch Interlock Push-In        |
| 21             | 532 40 02-52    | Harness Socket Light w/4152J    |
| 22             | 532 00 41-52    | Bulb Light                      |
| 25             | 581 49 80-01    | Cable Starter                   |
| 26             | 532 17 51-58    | Fuse                            |
| 27             | 873 51 04-00    | Nut Keps Hex 1/4-20 unc         |
| 28             | 532 42 16-86    | Cable,Ground                    |
| 29             | 532 40 15-45    | Switch, Seat                    |
| 30             | 532 19 33-50    | Switch, Ign                     |
| 33             | 532 41 19-35    | Key/Chain                       |
| 34             | 532 11 07-12    | Switch Light/Reset              |
| 40             | 581 02 31-01    | Harness Ign. Dash               |
| 43             | 532 19 25-07    | Solenoid                        |
| 55             | 817 06 05-12    | Screw Thdrol 5/16-18 x 3/4 TYTT |
| 71             | 581 02 30-01    | Harness Ign.                    |
| 79             | 532 17 52-42    | Socket Asm                      |
| 87             | 532 19 78-02    | Switch Interlock Clutch Cbl     |
| 90             | 532 43 53-95    | Cover Terminal                  |
| 99             | 817 67 04-12    | Screw                           |
| 102            | 581 02 34-01    | Harness Pigtail                 |
| 105            | 532 40 75-68    | Switch Reverse                  |
| 106            | 532 17 48-14    | Pal Nut                         |

**NOTE:** All component dimensions given in U.S. inches  
1 inch = 25.4 mm

**TRACTOR - - MODEL NO. M185-117T (96041035600), PRODUCT NO. 960 41 03-56  
CHASSIS AND ENCLOSURES 39**



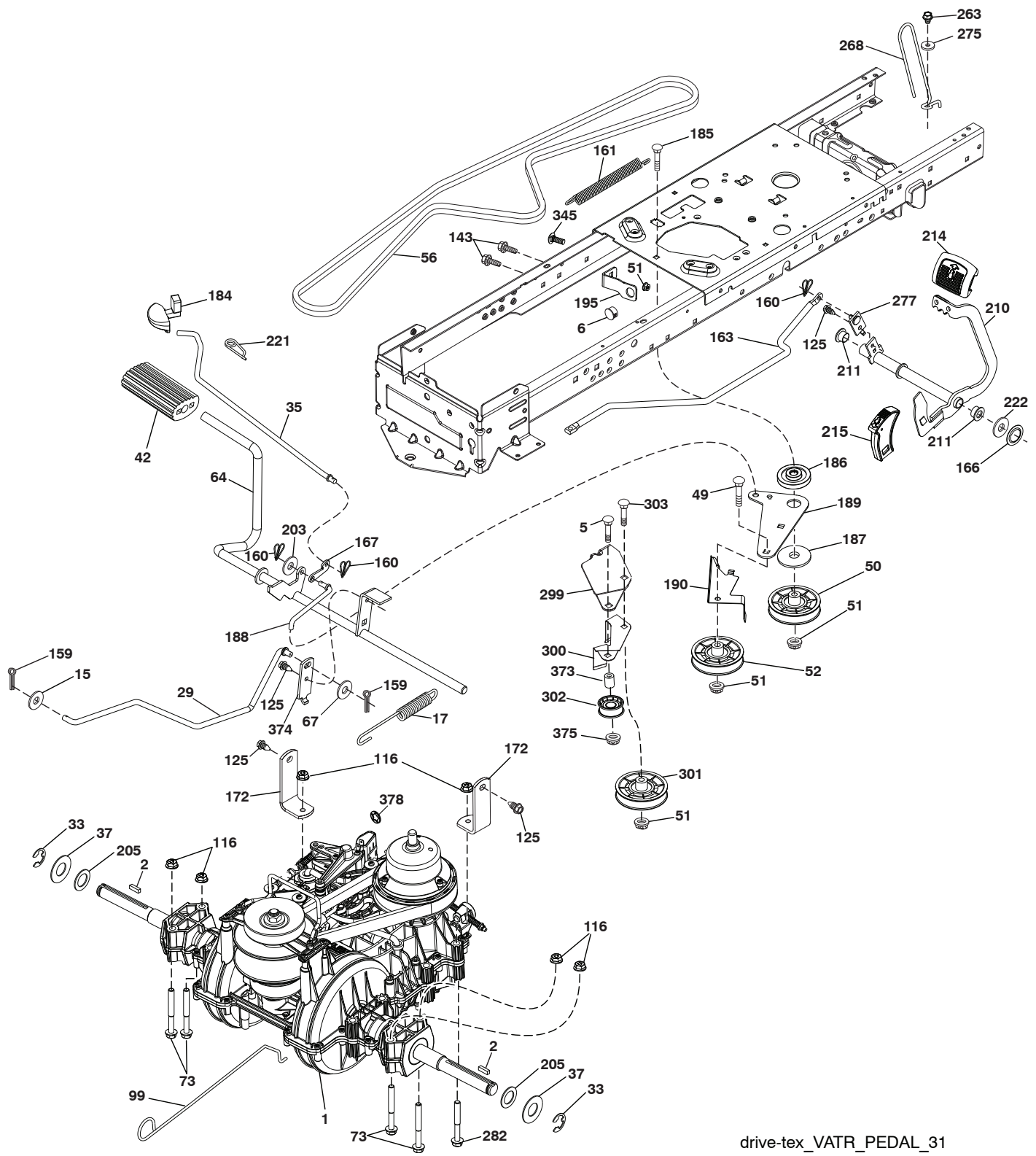
chassis-tex\_TEX GT PRED II\_9

**TRACTOR - - MODEL NO. M185-117T (96041035600), PRODUCT NO. 960 41 03-56  
CHASSIS AND ENCLOSURES **39****

| <b>KEY<br/>NO.</b> | <b>PART<br/>NO.</b> | <b>DESCRIPTION</b>              |
|--------------------|---------------------|---------------------------------|
| 5                  | 532 44 66-39        | Dash                            |
| 14                 | 532 44 80-42        | Hood                            |
| 15                 | 581 10 31-01        | Lens LH                         |
| 18                 | 581 10 29-01        | Grille                          |
| 25                 | 581 10 30-01        | Lens RH                         |
| 34                 | 580 91 08-01        | Plate Engine                    |
| 36                 | 817 06 05-12        | Screw 5/16-18 x 3/4             |
| 37                 | 532 42 07-96        | Fender                          |
| 52                 | 873 68 05-00        | Nut Crown Lock 5/16             |
| 58                 | 532 41 22-80        | Drawbar                         |
| 68                 | 817 49 05-08        | Screw THDROL 5/16-18 x 1/2      |
| 130                | 532 41 63-58        | Screw                           |
| 138                | 532 40 97-30        | Cupholder                       |
| 150                | 584 86 29-03        | Air Duct                        |
| 151                | 532 44 54-94        | Bracket Pivot                   |
| 152                | 532 19 95-35        | Shield Browning                 |
| 159                | 817 00 06-12        | Screw 3/8-16 x 3/4              |
| 162                | 532 14 24-32        | Screw 1/4 x 1/2                 |
| 175                | 532 19 63-04        | Crossmember                     |
| 176                | 532 40 07-76        | Screw 10-24 x 5/8               |
| 177                | 532 19 52-28        | Bushing Steering                |
| 180                | 532 19 54-57        | Chassis                         |
| 181                | 532 40 47-96        | Bushing Mtg. Fender Crgo        |
| 182                | 532 40 68-59        | Dash Lower                      |
| 183                | 874 52 05-20        | Bolt 5/16-18 x 1-1/4            |
| 189                | 817 00 05-12        | Screw 5/16-18 x 3/4             |
| 191                | 581 22 35-01        | Reflector RH                    |
| 194                | 873 90 05-00        | Nut Lock Hex Flange 5/16-18     |
| 195                | 532 40 41-37        | Plug Hole Dash Lower            |
| 196                | 532 41 45-81        | Console Asm. Deck Lift          |
| 202                | 581 85 91-01        | Side Vent RH                    |
| 203                | 581 85 92-01        | Side Vent LH                    |
| 213                | 874 76 05-12        | Bolt 5/16-18 x 3/4              |
| 217                | 532 40 91-67        | Rod Pivot Hood                  |
| 218                | 532 19 63-95        | X-Piece Hood Stop               |
| 225                | 581 10 32-01        | Trim Ring                       |
| 226                | 578 89 71-01        | Emblem                          |
| 228                | 532 19 51-61        | Stud Fastener                   |
| 235                | 532 40 61-29        | Spacer Fender                   |
| 236                | 873 93 05-00        | Nut Lock 5/16-18 unc            |
| 237                | 532 40 37-04        | Plug Mount Cargo                |
| 287                | 817 60 04-06        | Screw Hex Washhead 1/4-20 x 3/8 |
| 289                | 532 40 35-71        | Plug Cruise/Phone               |
| 297                | 581 22 36-01        | Reflector LH                    |
| --                 | 532 41 17-08        | Plug Dash SRVMNDR.              |
| --                 | 532 40 09-44        | Bumper Kit                      |

**NOTE:** All component dimensions given in U.S. inches  
1 inch = 25.4 mm

TRACTOR -- MODEL NO. M185-117T (96041035600), PRODUCT NO. 960 41 03-56  
DRIVE **40**



drive-tex\_VATR\_PEDAL\_31

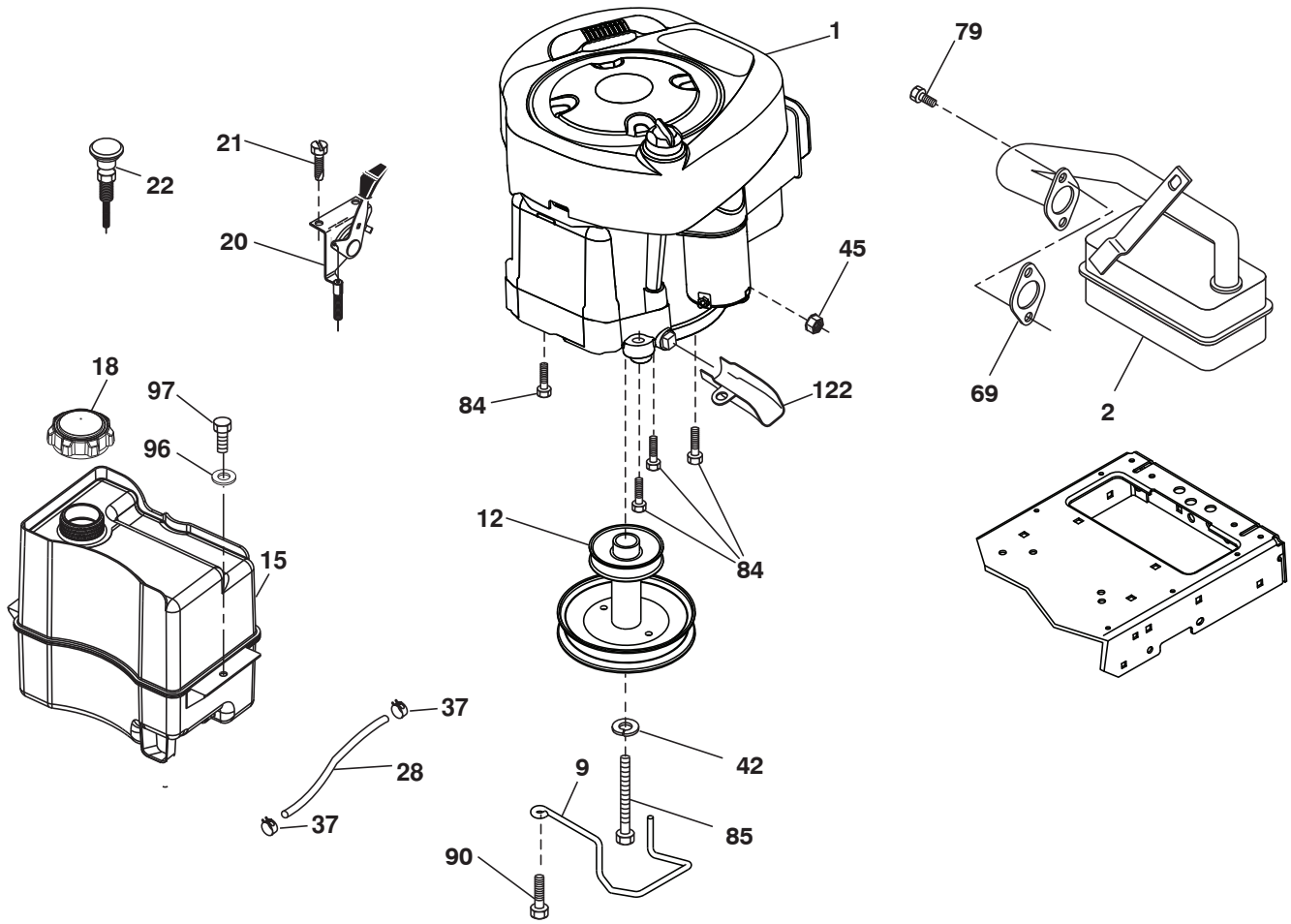


**TRACTOR - - MODEL NO. M185-117T (96041035600), PRODUCT NO. 960 41 03-56  
DRIVE 40**

| KEY<br>NO. | PART<br>NO.  | DESCRIPTION   | KEY<br>NO. | PART<br>NO.  | DESCRIPTION                   |
|------------|--------------|---|------------|--------------|-------------------------------|
| 1          | - - - - -    | Transaxle, Variator SD Pedal<br>(580486201) (Order parts from<br>transaxle manufacturer.) | 186        | 532 19 43-21 | Spacer Retainer               |
| 2          | 532 12 35-83 | Key Square  | 187        | 819 13 32-10 | Washer 13/32 x 2 x 10 ga      |
| 5          | 874 76 06-36 | Bolt Hex Hs 3/8-16 unc x 2-1/4  | 188        | 532 19 43-23 | Link Clutch Ground Drive      |
| 6          | 532 12 40-28 | Bushing Snap  | 189        | 532 19 43-17 | Bellcrank Ground Drive        |
| 15         | 819 13 13-16 | Washer 13/32 x 13/16 x 16 Ga.   | 190        | 532 19 43-18 | Keeper. Bellcrank             |
| 17         | 584 95 40-01 | Spring, Brake   | 195        | 581 50 46-01 | Bracket Brake                 |
| 29         | 584 82 31-01 | Rod, Brake  | 203        | 819 11 11-16 | Washer 11/32 x 11/16 x 16 Ga. |
| 33         | 812 00 00-01 | Ring E  | 205        | 532 12 17-48 | Washer 25/32 x 1-5/8 16 Ga.   |
| 35         | 583 86 45-01 | Rod, Brake, Park  | 210        | 532 44 82-70 | Rocker Asm. Pedal             |
| 37         | 532 18 89-67 | Washer .793 x 1.637 x 060   | 214        | 532 42 12-63 | Pedal Forward                 |
| 42         | 532 12 48-72 | Cover, Foot Pedal   | 215        | 532 44 82-54 | Pad Pedal Reverse             |
| 49         | 872 11 06-14 | Bolt 3/8-16 unc   | 211        | 532 12 01-83 | Bearing Nylon                 |
| 50         | 532 19 43-27 | Idler Flat  | 221        | 532 40 31-87 | Retainer Spring               |
| 51         | 873 68 06-00 | Nut Lock  | 222        | 879 21 20-10 | Washer Flat                   |
| 52         | 532 19 43-26 | Idler V-Groove  | 263        | 817 00 06-12 | Screw                         |
| 56         | 581 60 38-01 | V-Belt, Drive   | 268        | 532 18 24-02 | Guard.Muffler                 |
| 64         | 532 44 83-53 | Subasm. Shaft Pedal Brake   | 275        | 819 13 16-14 | Washer 13/32 x 1 x 14         |
| 67         | 819 13 13-12 | Washer 13/32 x 13/16 x 12 Ga.   | 277        | 532 44 85-00 | Subasm. Link Rocker Pedal     |
| 73         | 874 49 05-44 | Bolt Hex 5/16-18 x 3.75   | 282        | 874 49 05-48 | Screw Thdrol 5/16-18 x 3      |
| 99         | 532 43 59-35 | Rod Bypass  | 299        | 532 41 56-83 | Bracket Mount                 |
| 116        | 873 90 05-00 | Nut Lock Hex Flange 5/16-18   | 300        | 532 41 56-81 | Keeper Idler                  |
| 125        | 817 00 05-12 | Screw 5/16-18 x 3/4   | 301        | 532 41 56-80 | Pulley Idler Groove           |
| 143        | 817 49 05-08 | Screw Thdrol 5/16-18 x 1/2 TYTT   | 302        | 581 42 05-01 | Puller Idler Flat             |
| 159        | 876 02 04-12 | Pin Cotter 1/8 x 3/4  | 303        | 872 11 06-18 | Bolt                          |
| 160        | 532 16 94-84 | Retainer Clip   | 345        | 872 11 06-06 | Bolt 3/8-16 unc               |
| 161        | 532 10 57-09 | Spring, Return, Clutch  | 373        | 581 46 18-01 | Spacer Idler                  |
| 163        | 583 97 13-01 | Rod Control   | 374        | 581 47 52-01 | Arm Control Brake             |
| 166        | 532 42 91-64 | Nut Push .625   | 375        | 873 68 06-00 | Nut Crownlock 3/8-16 unc      |
| 167        | 532 40 52-57 | Latch Brake Parking   | 378        | 584 28 77-01 | Nut Push 8 mm                 |
| 172        | 583 97 42-01 | Strap Torque  |            |              |                               |
| 184        | 532 44 14-55 | Handle Park Brk.  |            |              |                               |
| 185        | 872 11 06-22 | Bolt 3/8-16 unc x 2-3/4   |            |              |                               |

**NOTE:** All component dimensions given in U.S. inches  
1 inch = 25.4 mm

TRACTOR - - MODEL NO. M185-117T (96041035600), PRODUCT NO. 960 41 03-56  
ENGINE **24**



29

**OPTIONAL EQUIPMENT**

**Spark Arrester**

engine-tex\_BS\_78

**TRACTOR - - MODEL NO. M185-117T (96041035600), PRODUCT NO. 960 41 03-56  
ENGINE 24**

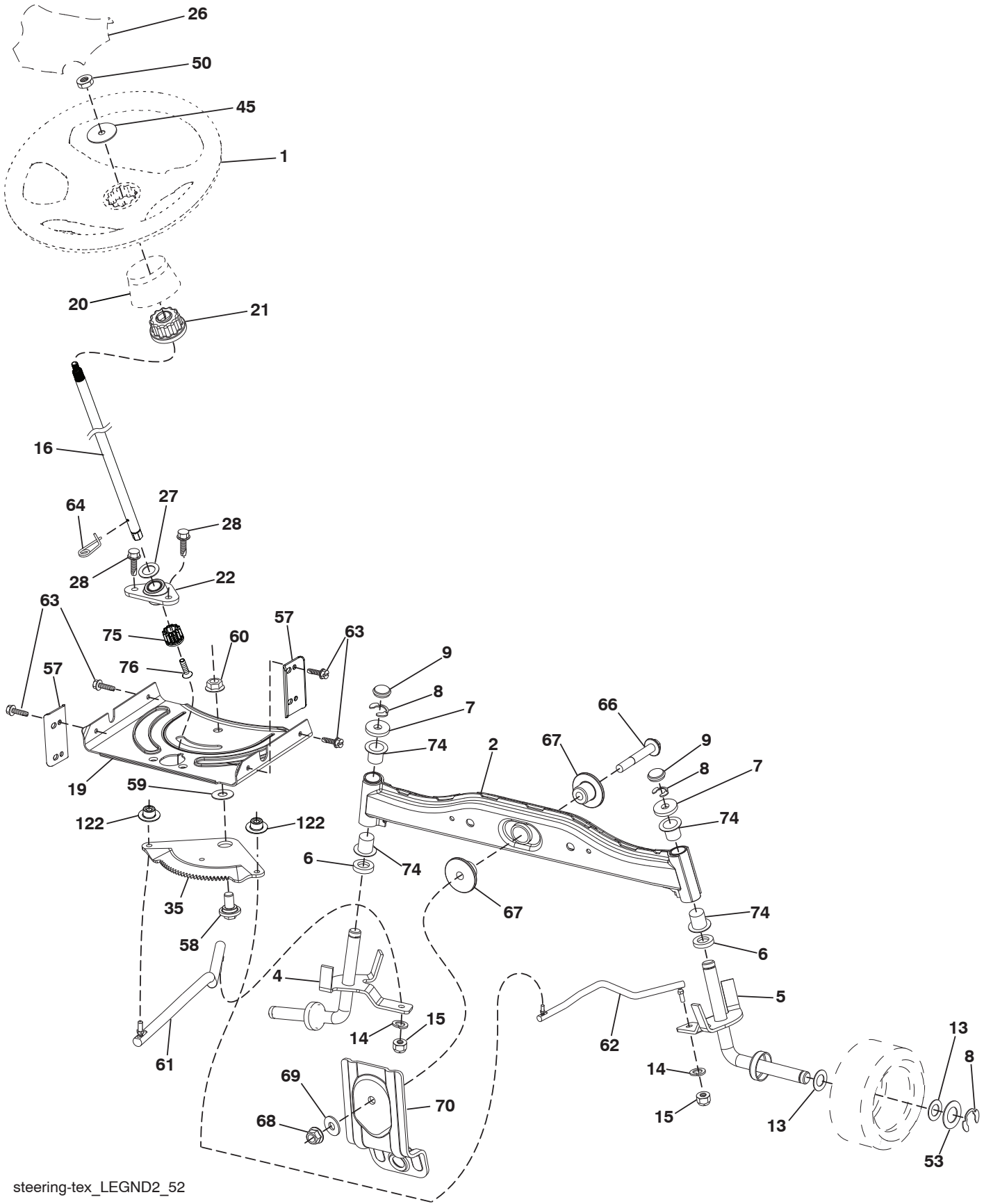
| KEY<br>NO. | PART<br>NO.  | DESCRIPTION   |
|------------|--------------|---|
| 1          | — — — — —    | Engine Briggs Model No. 31R807-0008-B1 (585688901)<br>(Order parts from engine manufacturer.) |
| 2          | 532 13 73-52 | Muffler   |
| 9          | 584 90 80-01 | Keeper Belt Engine  |
| 12         | 532 40 54-72 | Pulley Engine   |
| 15         | 532 43 08-25 | Tank Fuel   |
| 18         | 532 43 02-20 | Cap Asm   |
| 20         | 532 40 15-08 | Control Throttle  |
| 21         | 532 41 63-58 | Screw #10 x 0.750 BOS Thread  |
| 22         | 532 19 49-81 | Control Choke   |
| 28         | 532 13 70-40 | Fuel Line   |
| 29         | 532 13 71-80 | Spark Arrester Kit  |
| 37         | 532 12 34-87 | Clamp Hose  |
| 42         | 810 04 07-00 | Washer Lock 7/16  |
| 45         | 873 51 04-00 | Nut Keps Hex 1/4-20 unc   |
| 69         | 532 16 52-91 | Gasket  |
| 79         | 532 19 23-34 | Screw 5/16-18 x .75   |
| 84         | 817 06 06-20 | Screw 3/8-16 x 1-1/4  |
| 85         | 532 17 39-37 | Bolt 7/16-20 x 4  |
| 90         | 817 00 06-16 | Screw 3/8-16 x 1  |
| 96         | 819 09 14-16 | Washer 9/32 x 7/8 x 16 Ga.  |
| 97         | 817 67 04-12 | Screw 1/4 - 20 x 3/4  |
| 122        | 532 42 19-22 | Extension Drain Oil   |

**NOTE:** All component dimensions given in U.S. inches  
1 inch = 25.4 mm

**Engine Power Rating Information**

The gross power rating for individual gas engine models is labeled in accordance with SAE (Society of Automotive Engineers) code J1940 (Small Engine Power & Torque Rating Procedure), and rating performance has been obtained and corrected in accordance with SAE J1995 (Revision 2002-05). Torque values are derived at 3060 RPM; horsepower values are derived at 3600 RPM. Actual gross engine power will be lower and is affected by, among other things, ambient operating conditions and engine-to-engine variability. Given both the wide array of products on which engines are placed and the variety of environmental issues applicable to operating the equipment, the gas engine will not develop the rated gross power when used in a given piece of power equipment (actual "on-site" or net power). This difference is due to a variety of factors including, but not limited to, accessories (air cleaner, exhaust, charging, cooling, carburetor, fuel pump, etc.), application limitations, ambient operating conditions (temperature, humidity, altitude), and engine-to-engine variability. Due to manufacturing and capacity limitations, Briggs & Stratton may substitute an engine of higher rated power for this Series engine.

**TRACTOR -- MODEL NO. M185-117T (96041035600), PRODUCT NO. 960 41 03-56**  
**STEERING ASSEMBLY [41]**



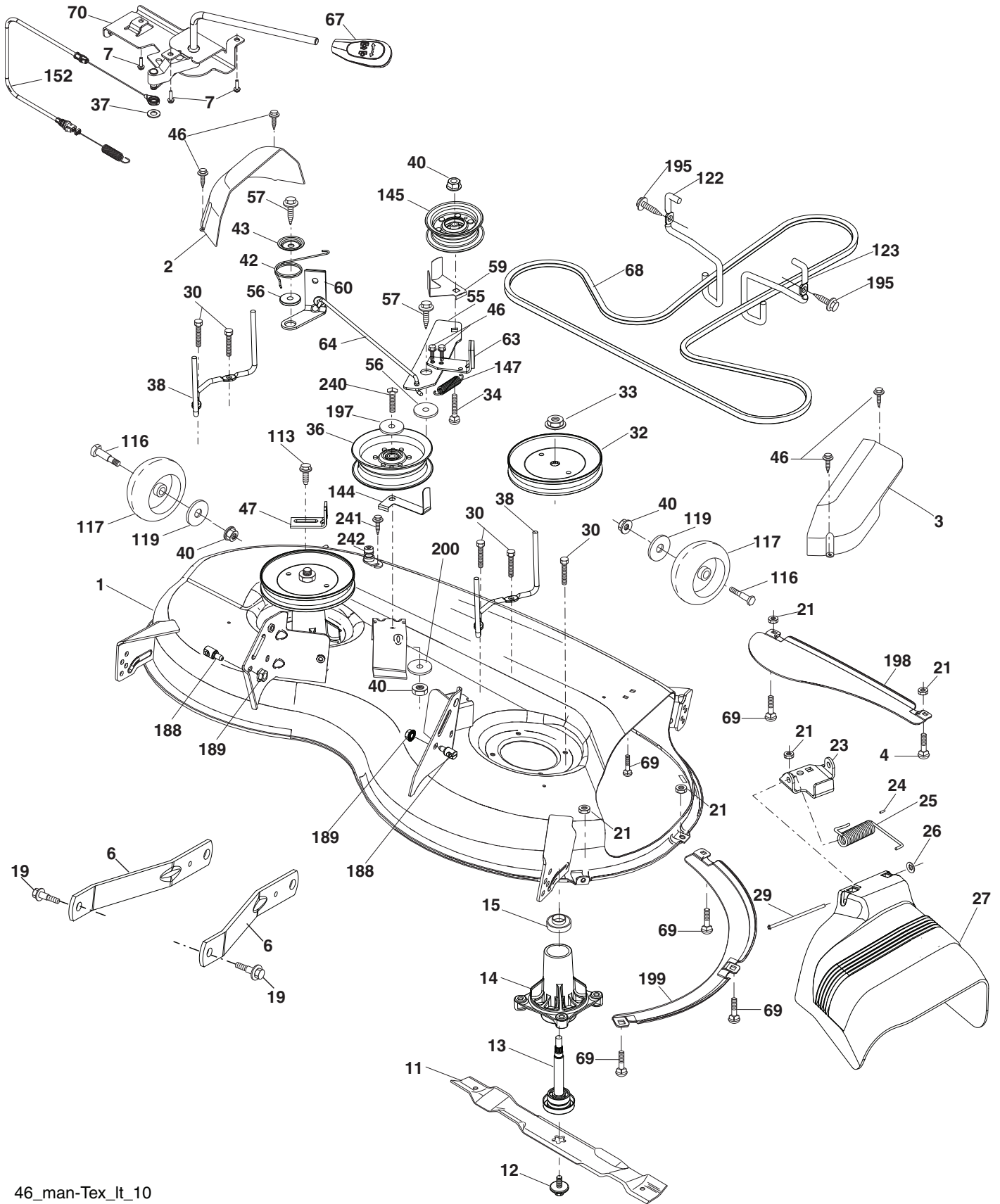
steering-tex\_LEGND2\_52

**TRACTOR - - MODEL NO. M185-117T (96041035600), PRODUCT NO. 960 41 03-56  
STEERING ASSEMBLY 41**

| <b>KEY NO.</b> | <b>PART NO.</b> | <b>DESCRIPTION</b>                  |
|----------------|-----------------|-------------------------------------|
| 1              | 532 44 28-04    | Wheel, Steering                     |
| 2              | 532 41 81-68    | Axle Asm., Front                    |
| 4              | 532 40 30-87    | Spindle Asm., LH                    |
| 5              | 532 40 30-88    | Spindle Asm., RH                    |
| 6              | 532 12 49-31    | Bearing, Race Thrust Harden         |
| 7              | 532 12 17-48    | Washer 25/32 x 1-5/8 x 16 Ga.       |
| 8              | 812 00 00-29    | Ring, Clip #T5304-75                |
| 9              | 532 12 12-32    | Cap, Spindle                        |
| 13             | 532 12 17-49    | Washer 25/32 x 1-1/4 x 16 Ga.       |
| 14             | 810 04 06-00    | Washer, Lock Hvy Hlcl Spr 3/8       |
| 15             | 873 54 06-00    | Nut, Crown Lock 3/8-24 unf          |
| 16             | 587 01 60-02    | Steering Shaft                      |
| 19             | 532 19 47-29    | Plate Steering                      |
| 20             | 532 42 47-40    | Boot Steering                       |
| 21             | 586 84 02-01    | Adapter Wheel Steering              |
| 22             | 585 02 98-02    | Bearing                             |
| 26             | 532 44 77-59    | Insert, Wheel Steering              |
| 27             | 819 21 16-16    | Washer                              |
| 28             | 817 00 06-12    | Screw 3/8-16 x 3/4                  |
| 35             | 532 19 47-32    | Gear, Sector Plate                  |
| 45             | 587 01 64-01    | Washer 3/8 ID 2-3/8 OD 12 Ga. PLTD  |
| 50             | 873 90 06-00    | Nut Lock Flg 3/8-16 unc             |
| 53             | 532 18 89-67    | Washer Hardened .793 x 1.637 x .060 |
| 57             | 532 40 74-65    | Bracket Upstop                      |
| 58             | 532 19 47-47    | Bolt Shoulder Sector Pivot CFM      |
| 59             | 532 19 47-48    | Washer Thrust Sector Steering       |
| 60             | 873 97 10-00    | Nut Flange Lock 5/8-11              |
| 61             | 532 19 47-40    | Draglink LH                         |
| 62             | 532 19 47-41    | Draglink, RH                        |
| 63             | 817 00 05-12    | Screw 5/16-18 x 3/4                 |
| 64             | 532 19 98-49    | Retainer Clip Spring Steering       |
| 66             | 871 02 07-48    | Bolt Hex Fghd 7/16-14 x 3 Serr      |
| 67             | 532 19 47-37    | Bushing PM Front Axle               |
| 68             | 873 90 07-00    | Nut Lock Flange 7/16-14 Gr. 5       |
| 69             | 532 19 91-62    | Washer 1.5 x .505 x .118            |
| 70             | 532 19 61-97    | Bracket Deck Susp. Front            |
| 74             | 532 12 49-37    | Bearing                             |
| 75             | 580 68 37-01    | Pinion                              |
| 76             | 580 68 36-01    | Screw Head Sock                     |
| 122            | 532 44 49-62    | Cap Gear Sector                     |

**NOTE:** All component dimensions given in U.S. inches  
1 inch = 25.4 mm

TRACTOR -- MODEL NO. M185-117T (96041035600), PRODUCT NO. 960 41 03-56  
MOWER DECK 44



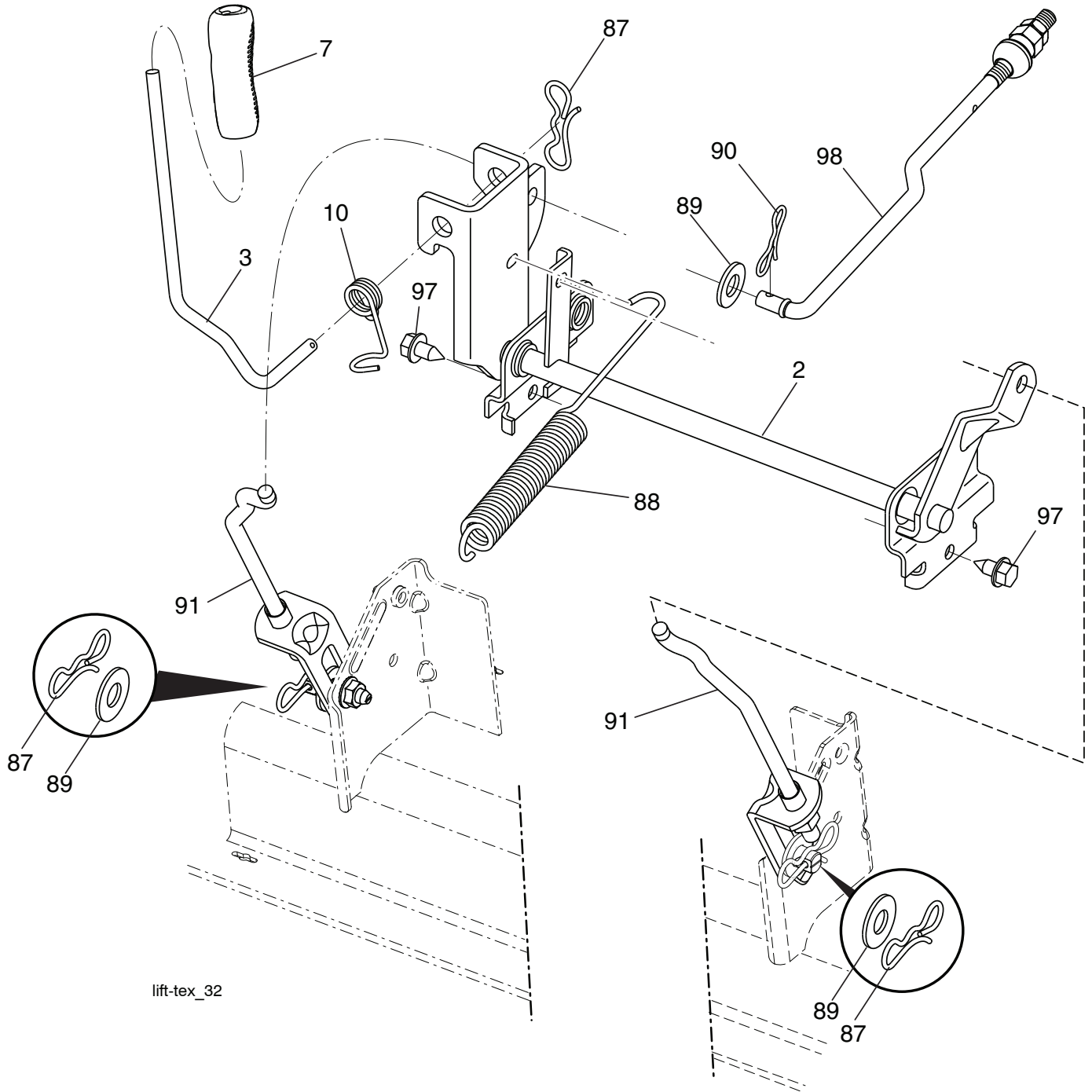
46\_man-Tex\_it\_10

**TRACTOR - - MODEL NO. M185-117T (96041035600), PRODUCT NO. 960 41 03-56  
MOWER DECK 44**

| KEY<br>NO. | PART<br>NO.  | DESCRIPTION                        | KEY<br>NO. | PART<br>NO.  | DESCRIPTION  |
|------------|--------------|------------------------------------|------------|--------------|--|
| 1          | 532 44 81-36 | Mower Housing                      | 64         | 532 40 51-38 | Linkage Brake  |
| 2          | 532 40 55-07 | Cover Mandrel LH                   | 67         | 532 40 30-12 | Handle Clutch Cable  |
| 3          | 532 40 55-06 | Cover Mandrel RH                   | 68         | 532 40 51-43 | Belt, Drive  |
| 4          | 874 76 05-12 | Bolt Hex HD 5/16-18                | 69         | 872 14 05-05 | Bolt   |
| 6          | 532 19 51-86 | Arm Suspension                     | 70         | 532 19 99-72 | Clutch Asm   |
| 7          | 532 41 63-58 | Screw #10                          | 113        | 817 00 05-10 | Bolt 5/16-18   |
| 11         | 532 40 53-80 | Blade                              | 116        | 532 19 34-06 | Bolt, Shoulder   |
| 12         | 584 30 93-01 | Screw                              | 117        | 532 17 48-73 | Wheel, Gauge   |
| 13         | 587 25 65-01 | Shaft Assembly, Mandrel            | 119        | 819 13 20-12 | Washer 13/32 x 1-1/4 x 12 Ga.  |
| 14         | 532 18 72-81 | Housing, Mandrel                   | 122        | 532 19 72-58 | Keeper Belt LH   |
| 15         | 585 32 39-01 | Bearing, Mandrel                   | 123        | 532 19 72-59 | Keeper Belt RH   |
| 19         | 532 19 65-39 | Bolt, Shoulder                     | 144        | 532 19 92-04 | Keeper Belt  |
| 21         | 873 68 05-00 | Nut, Crownlock 5/16-18 unc         | 145        | 532 19 31-97 | Pulley, Idler, Primary   |
| 23         | 532 19 25-57 | Bracket, Deflector                 | 147        | 532 40 18-72 | Spring Return  |
| 24         | 532 10 53-04 | Cap, Sleeve                        | 152        | 584 24 35-01 | Cable Clutch   |
| 25         | 532 19 70-26 | Spring, Torsion, Deflector         | 188        | 532 19 51-61 | Stud Fastener  |
| 26         | 532 11 04-52 | Nut, Push                          | 189        | 873 90 05-00 | Nut Lock Hex Flange  |
| 27         | 532 40 53-57 | Shield, Deflector                  | 195        | 817 00 06-12 | Screw  |
| 29         | 532 13 14-91 | Rod, Hinge                         | 197        | 819 13 13-12 | Washer 13/32 x 13/16 x 12 Ga.  |
| 30         | 532 17 39-84 | Screw Thdrol Rolling Wsh Hd        | 198        | 532 40 31-49 | Baffle Center Front  |
| 32         | 532 19 74-73 | Pulley, Mandrel                    | 199        | 532 40 31-50 | Baffle Front RH  |
| 33         | 532 40 02-34 | Nut, Toplock, Flanged              | 200        | 532 41 35-24 | Washer 13/32 x 1 x 1/2 x 11 Ga.  |
| 34         | 872 11 06-12 | Bolt Carr Sh. 3/8-16 x 1-1/2 Gr. 5 | 240        | 874 52 06-36 | Bolt Fin Hex 3/8-16 x 2-1/4 Gr. 5  |
| 36         | 532 19 73-79 | Pulley Idler                       | 241        | 532 15 29-27 | Screw #10-32.5 3/8 Flange  |
| 37         | 819 13 13-16 | Washer 13/32 x 13/16 x 16          | 242        | 532 41 55-98 | Port Washout   |
| 38         | 532 43 25-20 | Keeper Belt Mandrel                | - -        | 587 25 33-01 | Mandrel Assembly (Includes<br>Housing (key #14), Shaft Assembly<br>(key #13) and Bearing Only (key<br>#15) -pulley/Nut/Washer and Blade<br>Bolt/Washer not Included) |
| 40         | 873 90 06-00 | Nut, Lock Flg. 3/8-16 unc          | - -        | 532 43 45-90 | Replacement Mower, Complete  |
| 42         | 532 19 84-10 | Spring Torsion Brake               |            |              |  |
| 43         | 532 19 72-56 | Spring Torsion Retainer            |            |              |  |
| 46         | 532 13 77-29 | Screw 1/4-20 x 5/8                 |            |              |  |
| 47         | 532 19 72-50 | Bracket Clutch Cable               |            |              |  |
| 55         | 532 19 72-49 | Arm, Idler                         |            |              |  |
| 56         | 532 19 90-92 | Spacer, Retainer                   |            |              |  |
| 57         | 817 00 06-16 | Screw 3/8-16 x 1                   |            |              |  |
| 59         | 532 14 10-43 | Guard, Tuv Idler                   |            |              |  |
| 60         | 532 19 94-71 | Arm Brake Mower                    |            |              |  |
| 63         | 532 19 94-77 | Arm Brake Mower                    |            |              |  |

**NOTE:** All component dimensions given in U.S. inches  
1 inch = 25.4 mm

**TRACTOR - - MODEL NO. M185-117T (96041035600), PRODUCT NO. 960 41 03-56**  
**MOWER LIFT 45**



lift-tex\_32

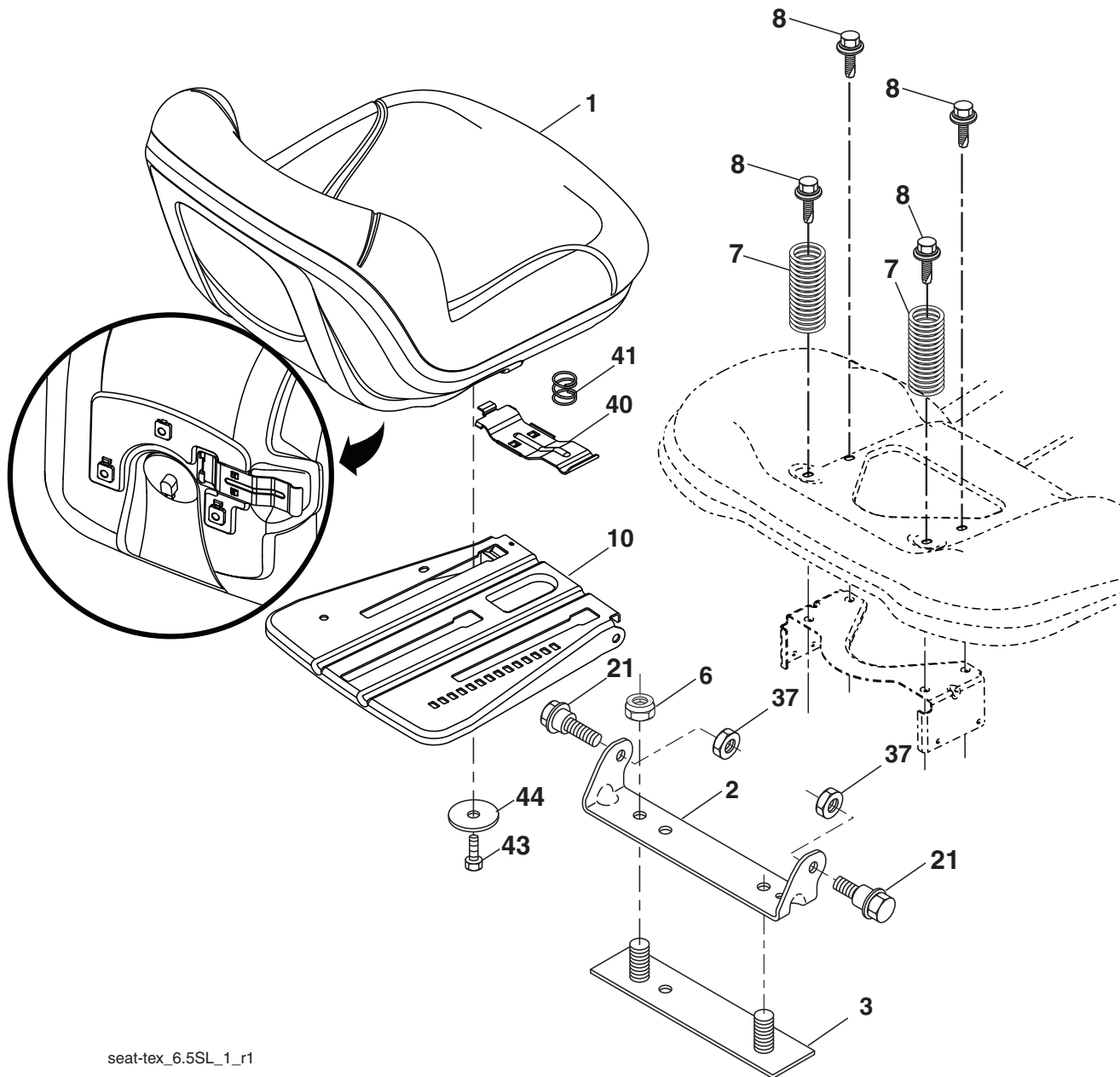
| KEY NO. | PART NO.     | DESCRIPTION                    |
|---------|--------------|--------------------------------|
| 2       | 532 42 20-27 | Shaft Asm., Lift               |
| 3       | 532 19 52-31 | Lever Asm., Lift RH            |
| 7       | 580 96 23-01 | Grip, Lever                    |
| 10      | 532 19 63-14 | Spring Torsion                 |
| 87      | 532 19 42-09 | Pin Cotter 7/16 Bow Tie Lock   |
| 88      | 532 41 07-10 | Spring Lift Assist             |
| 89      | 819 19 19-12 | Washer 17/32 x 1-3/16 x 12 Ga. |
| 90      | 532 19 42-08 | Pin Cotter 5/16 Bow Tie Lock   |

| KEY NO. | PART NO.     | DESCRIPTION                 |
|---------|--------------|-----------------------------|
| 91      | 532 19 79-84 | Link Lift Susp Mower Rear   |
| 97      | 817 00 06-12 | Screw 3/8-16 x .75          |
| 98      | 532 42 05-25 | Link Lift Susp. Front Mower |

**NOTE:** All component dimensions given in U.S. inches  
 1 inch = 25.4 mm



**TRACTOR - - MODEL NO. M185-117T (96041035600), PRODUCT NO. 960 41 03-56  
SEAT ASSEMBLY 42**



seat-tex\_6.5SL\_1\_r1

| KEY NO. | PART NO.     | DESCRIPTION                   |
|---------|--------------|-------------------------------|
| 1       | 581 46 22-01 | Seat                          |
| 2       | 532 18 01-66 | Bracket Pivot Fender          |
| 3       | 532 14 06-75 | Strap, Asm Fender             |
| 6       | 873 80 06-00 | Nut, Lock w/Ins. 3/8-16 unc   |
| 7       | 532 12 41-81 | Spring, Seat Cprsn            |
| 8       | 532 17 18-77 | Bolt 5/16-18 unc x 3/4 w/Sems |
| 10      | 532 19 69-77 | Pan, Seat                     |
| 21      | 532 17 18-52 | Bolt, Shoulder 5/16-18        |

| KEY NO. | PART NO.     | DESCRIPTION                   |
|---------|--------------|-------------------------------|
| 37      | 873 80 05-00 | Nut, Lock 5/16-18 unc         |
| 40      | 532 19 76-61 | Handle Slide Seat             |
| 41      | 532 19 82-00 | Spring Latch Seat             |
| 43      | 874 76 06-12 | Bolt 3/8-16 x 3/4             |
| 44      | 819 13 38-12 | Washer 13/32 x 2-3/8 x 12 Ga. |

**NOTE:** All component dimensions given in U.S. inches  
1 inch = 25.4 mm

