

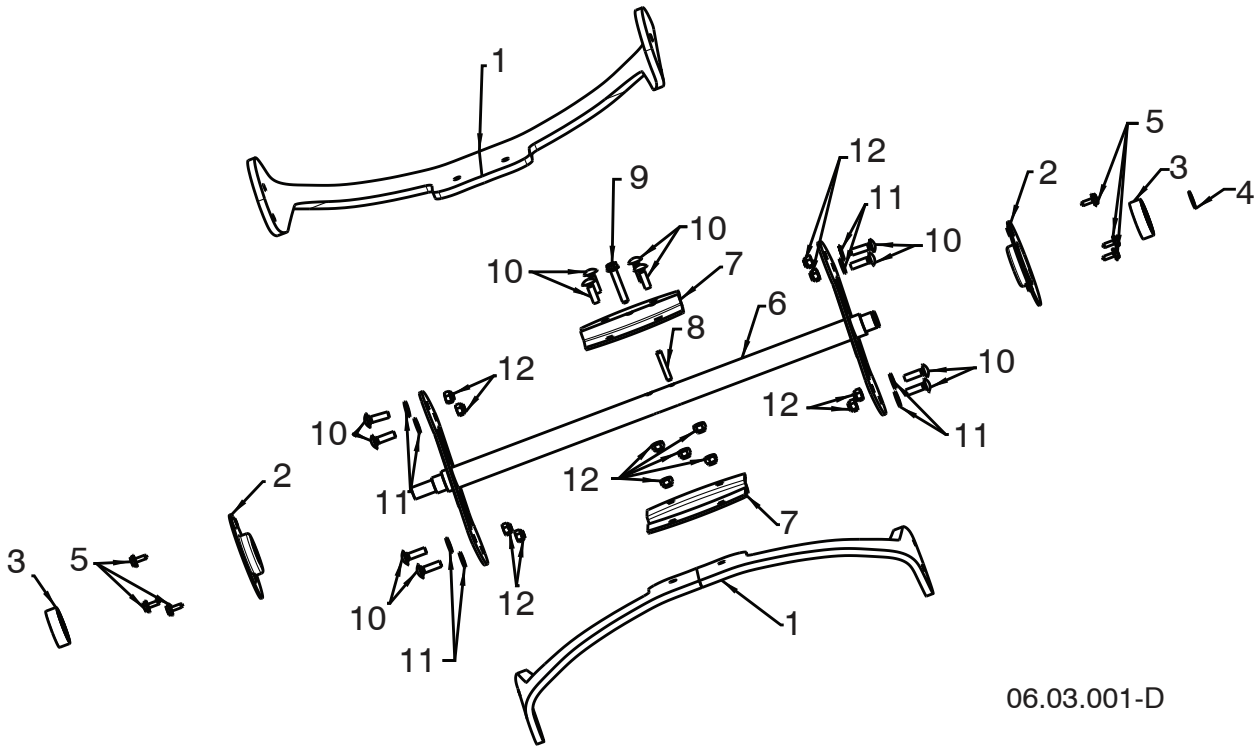
ILLUSTRATED PARTS LIST

MODEL NUMBER MSB 121E

PRODUCT NUMBER 961 81 00-08

MFG. ID. NUMBER 96181000804

**REPAIR PARTS SNOW THROWER -- MODEL NUMBER MSB 121E (96181000804)
AUGER ASSEMBLY**



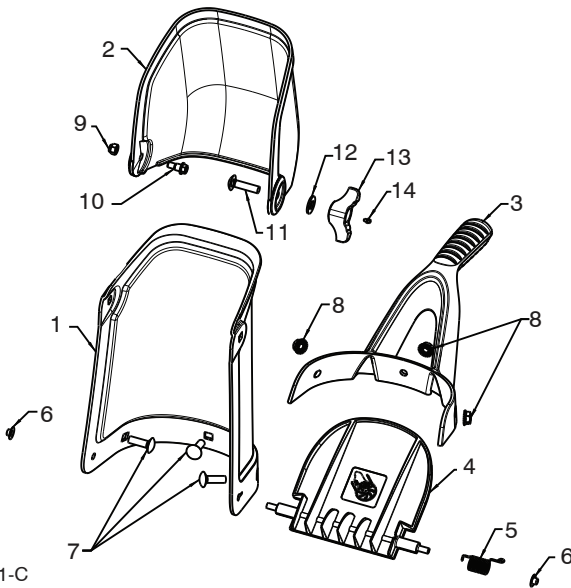
06.03.001-D

KEY NO.	PART NO.	DESCRIPTION
1	532 44 27-59	BLADE
2	580 85 55-01	BEARING SUPPORT
3	532 43 76-22	BALL BEARING
4	812 00 00-28	RETAINING RING
5	817 06 04-08	1/4-20 X 3/8 HEX SCREW
6	532 43 76-17	AUGER WELDMENT
7	580 85 54-01	CENTER BLADE PLATE
8	532 43 76-20	ROLL PIN
9	532 19 96-87	SCREW HEX WS HD 1/4-20 X 1.5
10	872 11 04-07	BOLT CARRIAGE 1/4-20 X 7/8
11	819 09 10-16	WASHER FLAT 1/4 SAE
12	532 13 20-04	NUT HEX 1/4-20 BZO

NOTE: All component dimensions given in U.S. inches. 1 inch = 25.4 mm
IMPORTANT: Use only Original Equipment Manufacturer (O.E.M.) replacement parts.
 Failure to do so could be hazardous, damage your snow thrower and void your warranty.

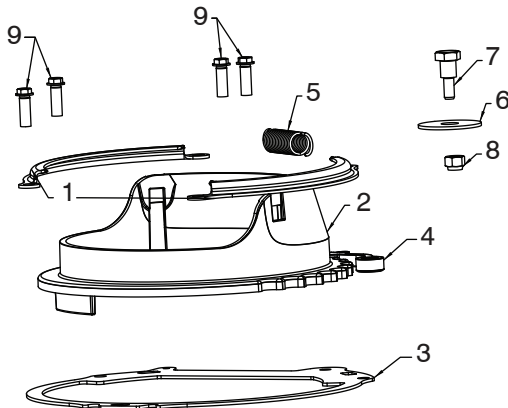
REPAIR PARTS SNOW THROWER -- MODEL NUMBER MSB 121E (96181000804)

CHUTE ASSEMBLY



06.05.001-C

KEY NO.	PART NO.	DESCRIPTION
1	532 43 76-41	CHUTE (BLACK)
2	532 43 76-43	DEFLECTOR (BLACK)
3	532 43 76-42	HANDLE (BLACK)
4	532 43 76-45	GUARD (BLACK)
5	532 43 66-22	SPRING
6	532 44 22-51	PUSH NUT
7	532 43 73-18	CARRIAGE BOLT 5/16-18 UNC X 1
8	873 97 05-00	NUT LOCK HEX W/INS 5/16-18 UNC PL
9	532 13 20-04	NUT HEX 1/4-20 NYLON LOCKING
10	532 44 46-82	SHOULDER BOLT 1/4-20 HEX HEAD
11	872 11 05-10	CARRIAGE BOLT 5/16-18 X 1-1/4
12	819 13 13-16	WASHER 13/32 X 13/16 X 16 GA
13	532 19 19-38	KNOB TWO WING
14	532 07 16-73	CAP PLUNGER

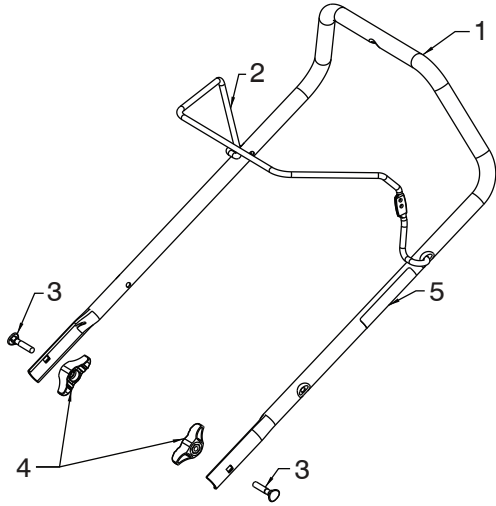


06.04.009-A

KEY NO.	PART NO.	DESCRIPTION
1	532 43 48-77	CHUTE RETAINER
2	580 85 65-01	CHUTE BASE
3	580 85 56-01	CHUTE BASE PLATE
4	532 43 48-78	RATCHET PAWL
5	532 43 48-79	SPRING
6	819 13 24-16	WASHER 13/32 X 1.25
7	532 08 13-28	BOLT 1/4-20 X .94
8	532 13 20-04	NUT 1/4-20 HEX
9	817 41 13-12	BOLT 13-16 X .75

NOTE: All component dimensions given in U.S. inches. 1 inch = 25.4 mm
IMPORTANT: Use only Original Equipment Manufacturer (O.E.M.) replacement parts. Failure to do so could be hazardous, damage your snow thrower and void your warranty.

REPAIR PARTS SNOW THROWER -- MODEL NUMBER MSB 121E (96181000804) HANDLE ASSEMBLY

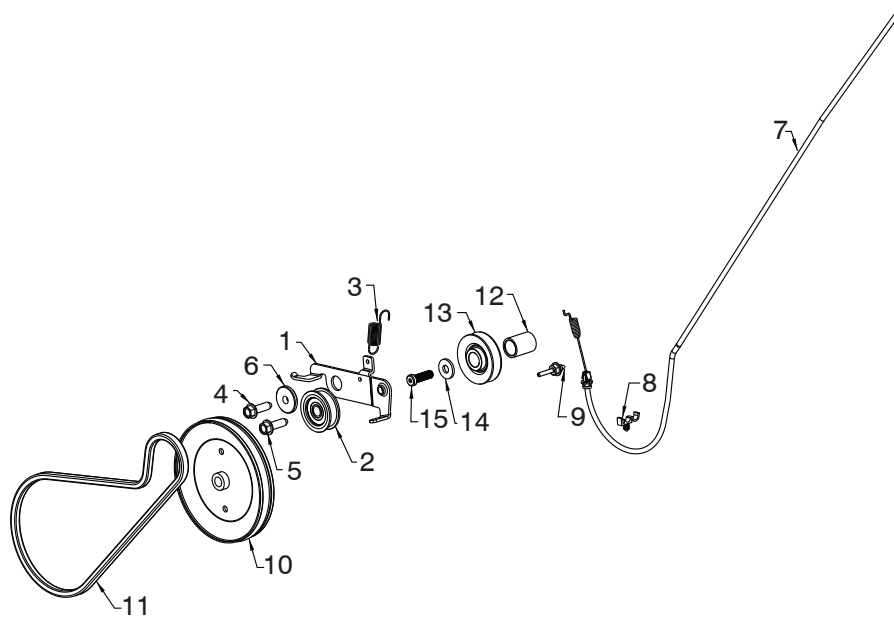


06.07.004-A

KEY NO.	PART NO.	DESCRIPTION
1	580 85 68-01	UPPER HANDLE
2	532 44 46-46	BAIL
3	532 19 15-74	HANDLE BOLT
4	532 19 19-38	WING KNOB
5	532 43 75-06	AUGER CONTROL DECAL

NOTE: All component dimensions given in U.S. inches. 1 inch = 25.4 mm
IMPORTANT: Use only Original Equipment Manufacturer (O.E.M.) replacement parts.
Failure to do so could be hazardous, damage your snow thrower and void your warranty.

REPAIR PARTS SNOW THROWER -- MODEL NUMBER MSB 121E (96181000804) DRIVE ASSEMBLY



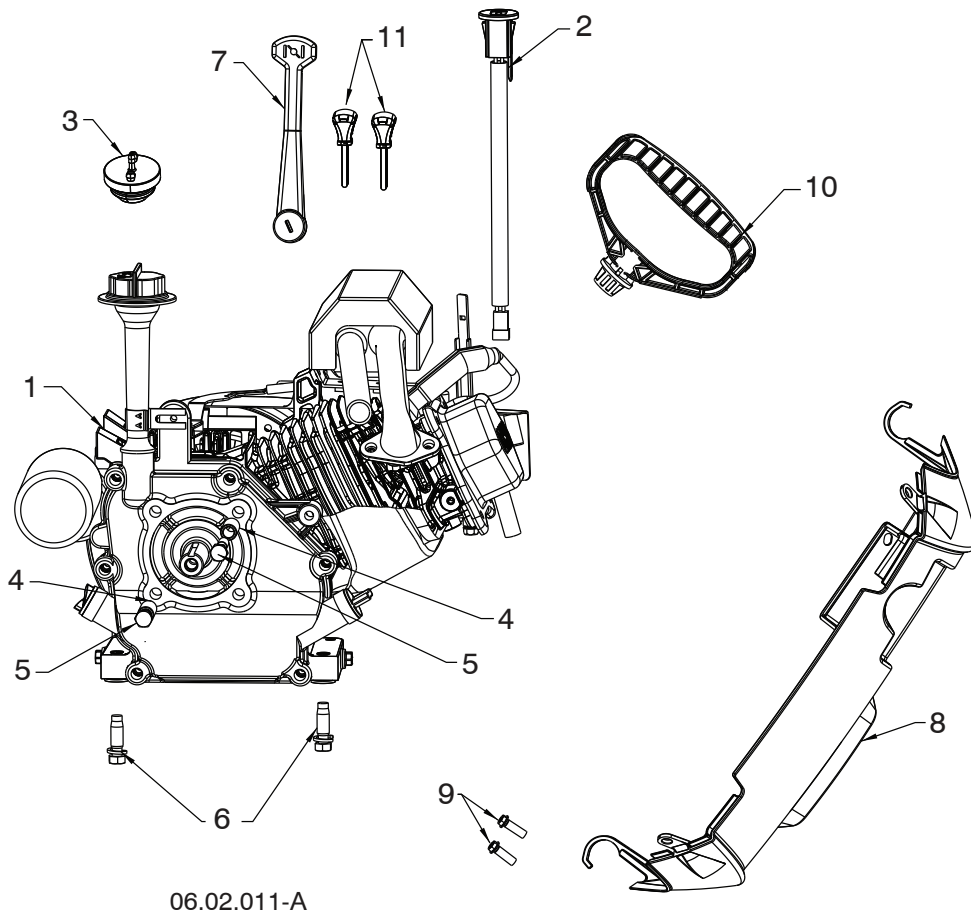
06.01.001-B

KEY NO.	PART NO.	DESCRIPTION
1	580 85 53-01	IDLER ARM
2	532 16 60-43	IDLER PULLEY
3	532 43 48-59	RETURN SPRING
4	817 06 06-20	SCREW 3/8-16 X 1-1/4 (TORQUE 13-18 FT-LBS)
5	817 06 06-20	SCREW 3/8-16 X 1-1/4 (TORQUE 22-27 FT-LBS)
6	532 19 90-92	SPACER
7	532 44 30-18	CLUTCH CABLE ASM
8	532 14 50-06	PUSH CLIP
9	532 43 45-02	BELT KEEPER
10	532 43 53-83	DRIVE PULLEY
11	532 43 72-61	BELT
12	532 43 48-60	ENGINE CRANK SPACER
13	532 42 64-90	ENGINE PULLEY
14	532 85 10-74	WASHER
15	532 43 08-17	SCREW 3/8-24 X 1/25

NOTE: All component dimensions given in U.S. inches. 1 inch = 25.4 mm
IMPORTANT: Use only Original Equipment Manufacturer (O.E.M.) replacement parts.
 Failure to do so could be hazardous, damage your snow thrower and void your warranty.

REPAIR PARTS SNOW THROWER -- MODEL NUMBER MSB 121E (96181000804)

ENGINE ASSEMBLY

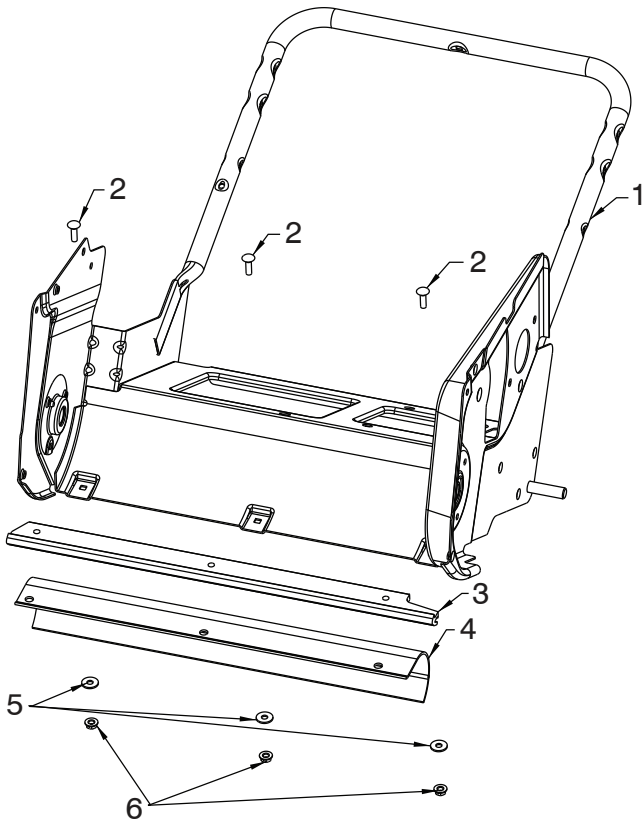


KEY NO.	PART NO.	DESCRIPTION
1	580 81 10-01	ENGINE LCT PW3HK1865018Y
2	580 85 02-01	KEY SWITCH
3	532 43 62-35	PRIMER BULB
4	532 43 48-57	SPACER ENGINE
5	532 43 55-78	SCREW 5/16-24 X 2.00 HHCS
6	532 15 04-06	BOLT ENGINE 3/8-16 DOGPOINT
7	532 43 48-74	LEVER CHOKE
8	532 43 76-58	COVER REAR LOWER
9	817 41 13-12	SCREW HEX WSHHD #13 X .750
10	532 43 62-76	HANDLE RECOIL
11	532 44 30-59	KEY SET (QTY: 2)

NOTE: All component dimensions given in U.S. inches. 1 inch = 25.4 mm
IMPORTANT: Use only Original Equipment Manufacturer (O.E.M.) replacement parts. Failure to do so could be hazardous, damage your snow thrower and void your warranty.

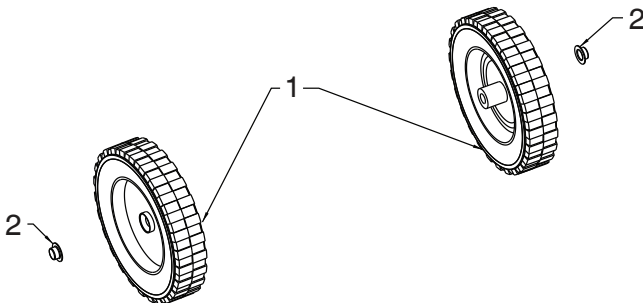
REPAIR PARTS SNOW THROWER -- MODEL NUMBER MSB 121E (96181000804)

FRAME ASSEMBLY



06.00.001-A

KEY NO.	PART NO.	DESCRIPTION
1	580 85 62-01	FRAME WELDMENT
2	872 11 04-07	BOLT, CARRIAGE 1/4-20 X 7/8
3	580 50 26-01	BAR, SCRAPER UHMW
4	532 44 21-46	SCRAPER, SKIRT
5	819 09 12-16	WASHER 9/32 X 3/4 X 16 GA
6	532 19 17-30	NUT, HEX FLANGE 1/4-20 CTR LOCK



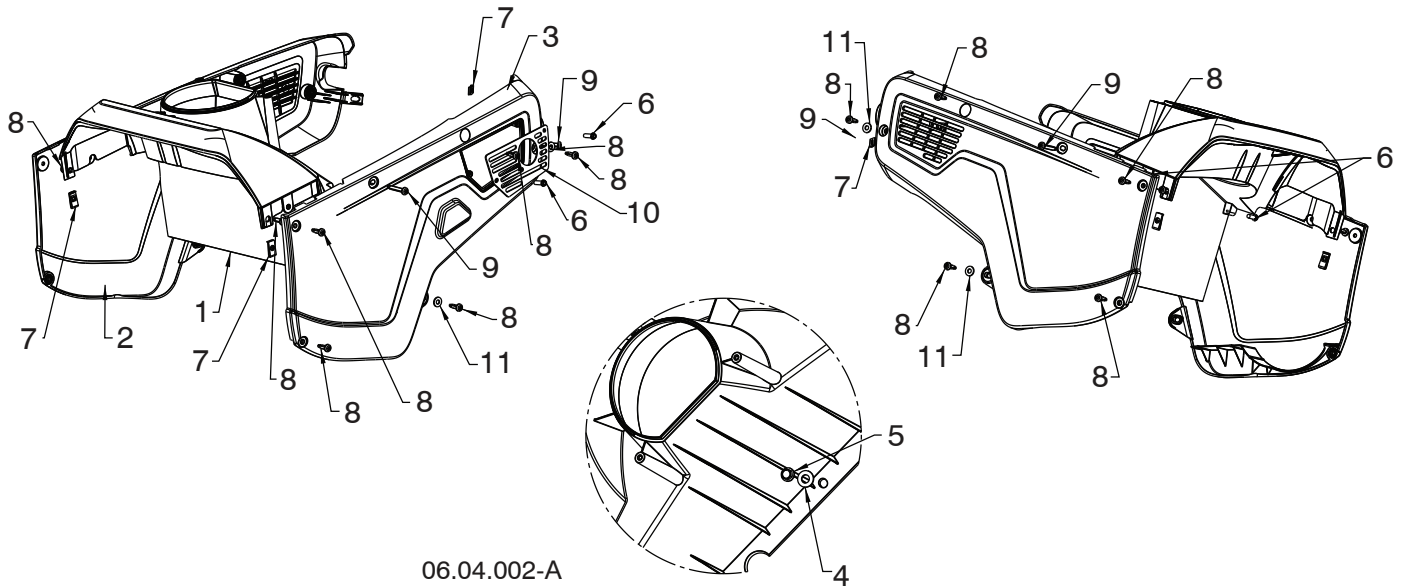
06.06.006-A

KEY NO.	PART NO.	DESCRIPTION
1	532 43 76-62	WHEEL 8"
2	532 43 54-17	PUSH NUT

NOTE: All component dimensions given in U.S. inches. 1 inch = 25.4 mm
IMPORTANT: Use only Original Equipment Manufacturer (O.E.M.) replacement parts.
 Failure to do so could be hazardous, damage your snow thrower and void your warranty.

REPAIR PARTS SNOW THROWER -- MODEL NUMBER MSB 121E (96181000804)

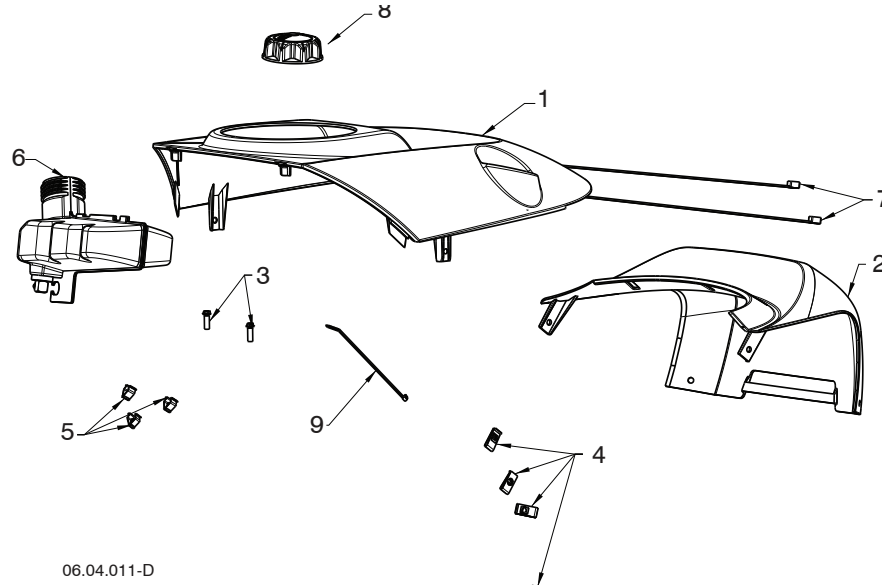
SHROUD ASSEMBLY



KEY NO.	PART NO.	DESCRIPTION
1	532 44 33-96	PLENUM
2	532 44 33-97	NON - DRIVE COVER
3	532 44 33-98	DRIVE COVER SIDE
4	819 13 13-16	WASHER 13/32 X 13/16 GA
5	532 42 88-67	BOLT 5/16-18 X .75
6	817 41 13-12	BOLT 13-16 X .75
7	532 19 66-88	THREADED CLIP
8	532 44 22-50	SCREW 1/4-20 X .75
9	532 44 42-62	SCREW 1/4-20 X 1.5
10	580 83 35-01	EXHAUST PLATE
11	819 09 10-16	WASHER FLAT 1/4 SAE

NOTE: All component dimensions given in U.S. inches. 1 inch = 25.4 mm
IMPORTANT: Use only Original Equipment Manufacturer (O.E.M.) replacement parts.
 Failure to do so could be hazardous, damage your snow thrower and void your warranty.

REPAIR PARTS SNOW THROWER -- MODEL NUMBER MSB 121E (96181000804) SHROUD ASSEMBLY

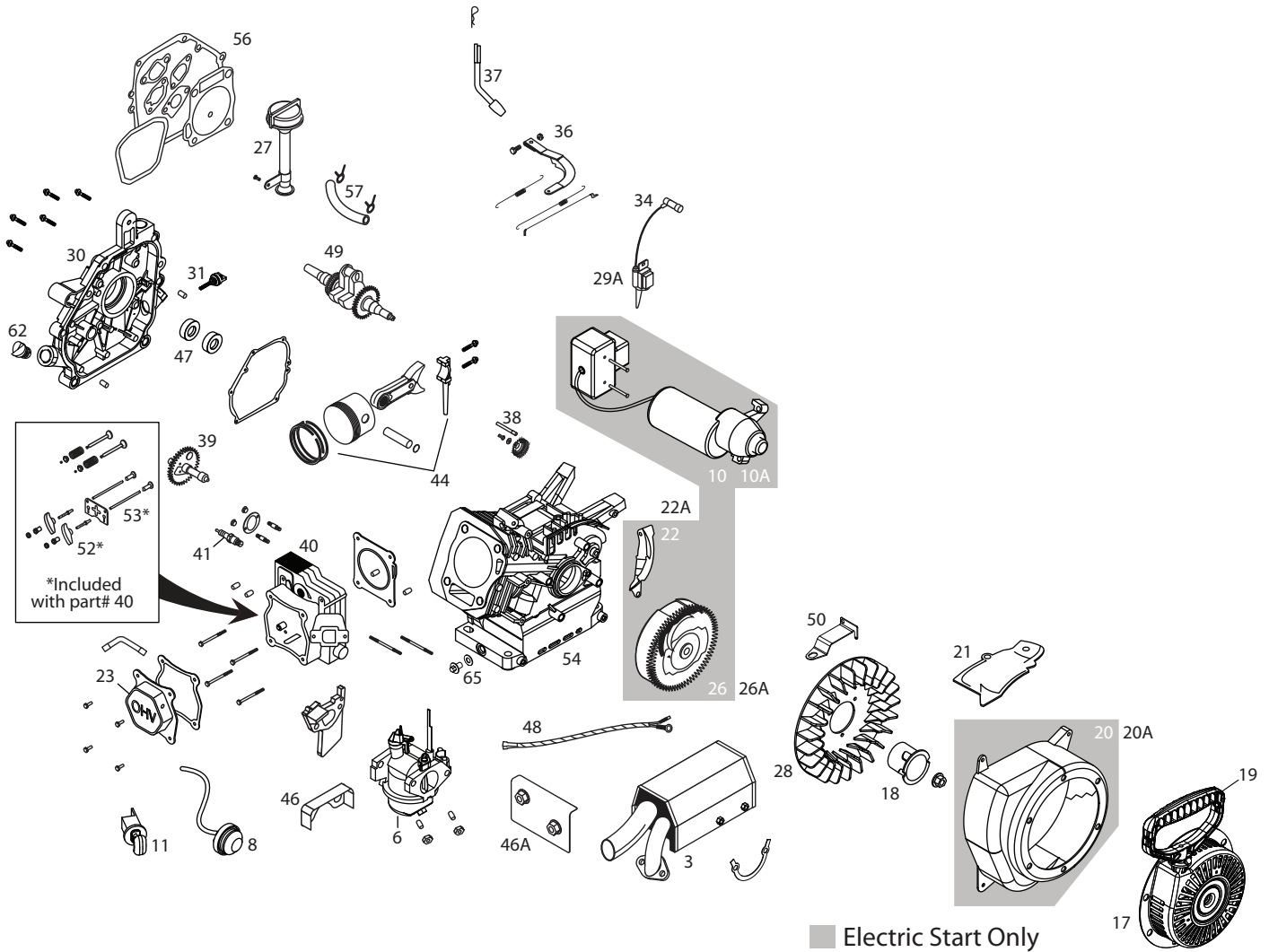


06.04.011-D

KEY NO.	PART NO.	DESCRIPTION
1	532 44 33-99	TOP COVER
2	532 43 76-44	REAR UPPER COVER
3	817 41 13-12	BOLT 13-16 X .75
4	532 19 66-88	THREADED CLIP
5	532 43 48-68	TRIM CLIP
6	580 98 26-01	FUEL TANK ASSEMBLY
7	532 14 68-48	CABLE TIE
8	581 07 55-01	FUEL CAP/GASKET
9	532 44 46-49	P-CLIP

NOTE: All component dimensions given in U.S. inches. 1 inch = 25.4 mm
IMPORTANT: Use only Original Equipment Manufacturer (O.E.M.) replacement parts.
 Failure to do so could be hazardous, damage your snow thrower and void your warranty.

REPAIR PARTS SNOW THROWER -- MODEL NUMBER MSB 121E (96181000804)
ENGINE, LCT **COMPLETE ENGINE-580811001**



NOTE: All component dimensions given in U.S. inches. 1 inch = 25.4 mm
IMPORTANT: Use only Original Equipment Manufacturer (O.E.M.) replacement parts.
 Failure to do so could be hazardous, damage your snow thrower and void your warranty.

**REPAIR PARTS SNOWTHROWER -- MODEL NUMBER MSB 121E (96181000804)
ENGINE, LCT**

COMPLETE ENGINE-580811001

KEY NO.	PART NO.	DESCRIPTION
3	532 44 42-77	Muffler Assembly-Snow
6	532 43 71-22	Snow Carburetor Assy
8	532 43 71-23	Fuel Primer Bulb With Hose
10	532 43 71-24	Electric Starter Assy
10A	532 43 71-25	European 230V Electric Starter
11	532 42 49-54	Key Switch Assy
17	532 43 69-67	Recoil Starter Assembly-Snow
18	532 43 69-68	Starter Cup Small
19	532 42 49-68	Snow Starter Grip
20	532 42 49-71	Blower Housing Assembly Electric Start - Snow (Black)
20A	532 42 92-30	Blower Housing Assembly Manual Start - Snow (Black)
21	532 42 49-73	Shield, Cylinder
22	532 42 49-75	Shield, Flywheel Electric Start (If Equipped)
22A	532 42 95-96	Shield, Flywheel Manual Start
23	532 42 05-80	Valve Cover
26	532 42 92-35	Electric Start Flywheel Assy
26A	532 42 05-85	Manual Start Flywheel Assy
27	532 44 40-91	High Oil Fill Tube Assy
28	532 42 05-86	Flywheel Fan
29A	532 44 39-34	Ignition Coil (CDI) (used on engines without ref. 12)
30	532 42 06-06	Crankcase Cover Assy
31	532 42 09-61	Black Oil Dipstick
34	532 43 69-66	Spark Plug Boot
36	532 42 06-01	Governor Arm Assy
37	532 42 06-02	Governor Shaft
38	532 42 96-46	Governor Gear Assy
39	532 42 05-84	Camshaft
40	532 42 05-78	Cylinder Head Assy
41	532 42 49-39	Spark Plug
44	532 42 05-82	Piston And Rod Assy
46	532 42 92-60	Vapor Shield
46A	532 44 42-75	Intake Shield
47	532 42 95-99	Seal Kit
48	532 44 42-76	Wire Harness
49	532 42 96-00	Crankshaft
50	532 42 92-59	Speed Control Bracket
52	532 42 96-91	Rocker Arm Kit
53	532 42 05-79	Push Rod Kit
54	532 43 65-67	Cylinder Assembly
56	532 42 96-01	Gasket Kit
57	532 43 80-14	Fuel Hose Kit
62	532 42 95-98	Non-Removable Oil Plug
65	532 43 54-95	Oil Drain Plug Kit

NOTE: All component dimensions given in U.S. inches. 1 inch = 25.4 mm
IMPORTANT: Use only Original Equipment Manufacturer (O.E.M.) replacement parts.
 Failure to do so could be hazardous, damage your snow thrower and void your warranty.

