

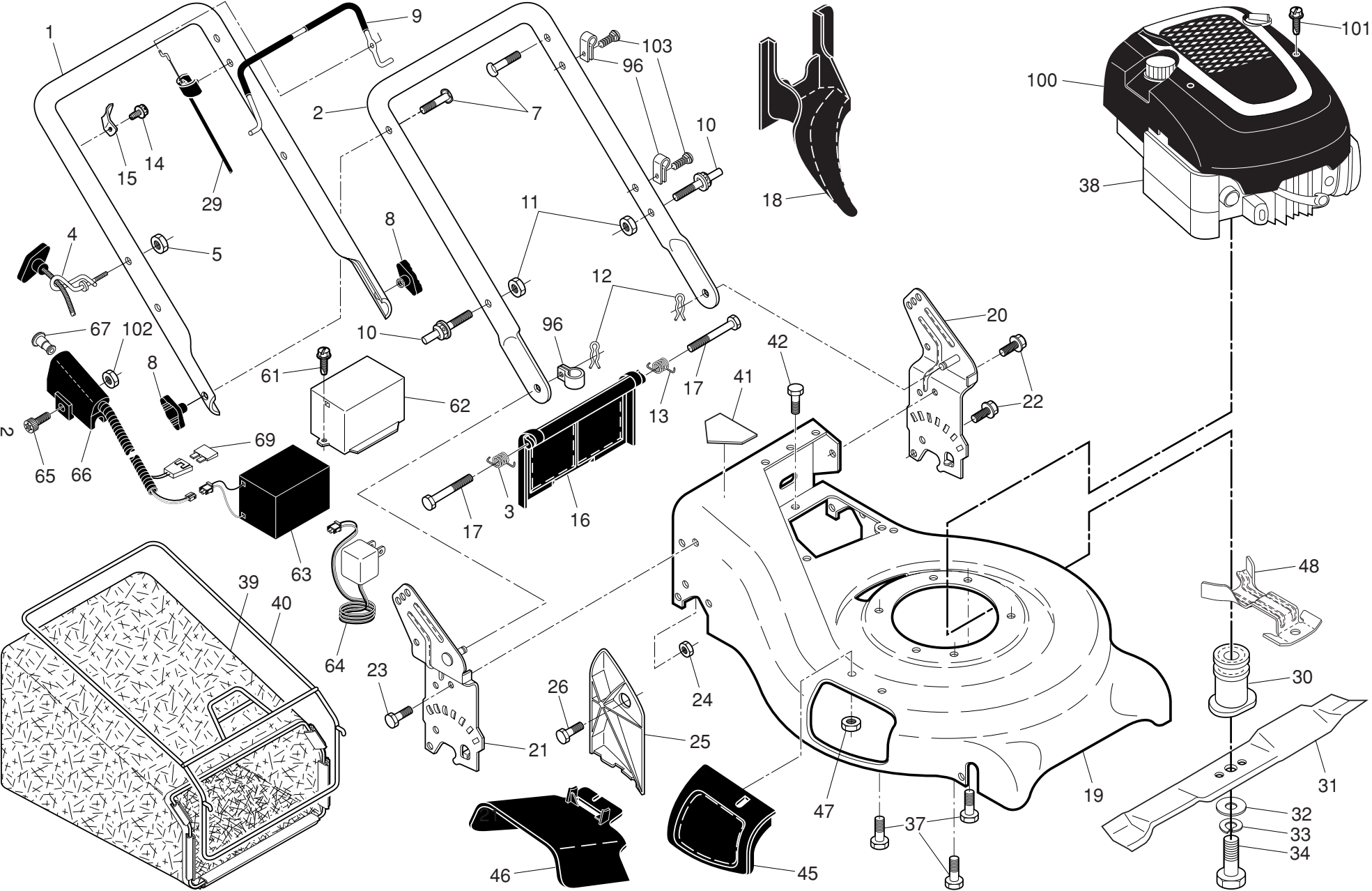
ILLUSTRATED PARTS LIST

MODEL NUMBER M53-190AREPX

PRODUCT NUMBER 961 41 02-65

MFG. ID. NUMBER 96141026500

McCULLOCH ROTARY LAWN MOWER - MODEL NO. M53-190AREPX (96141026500) PRODUCT NO. 961 41 02-65



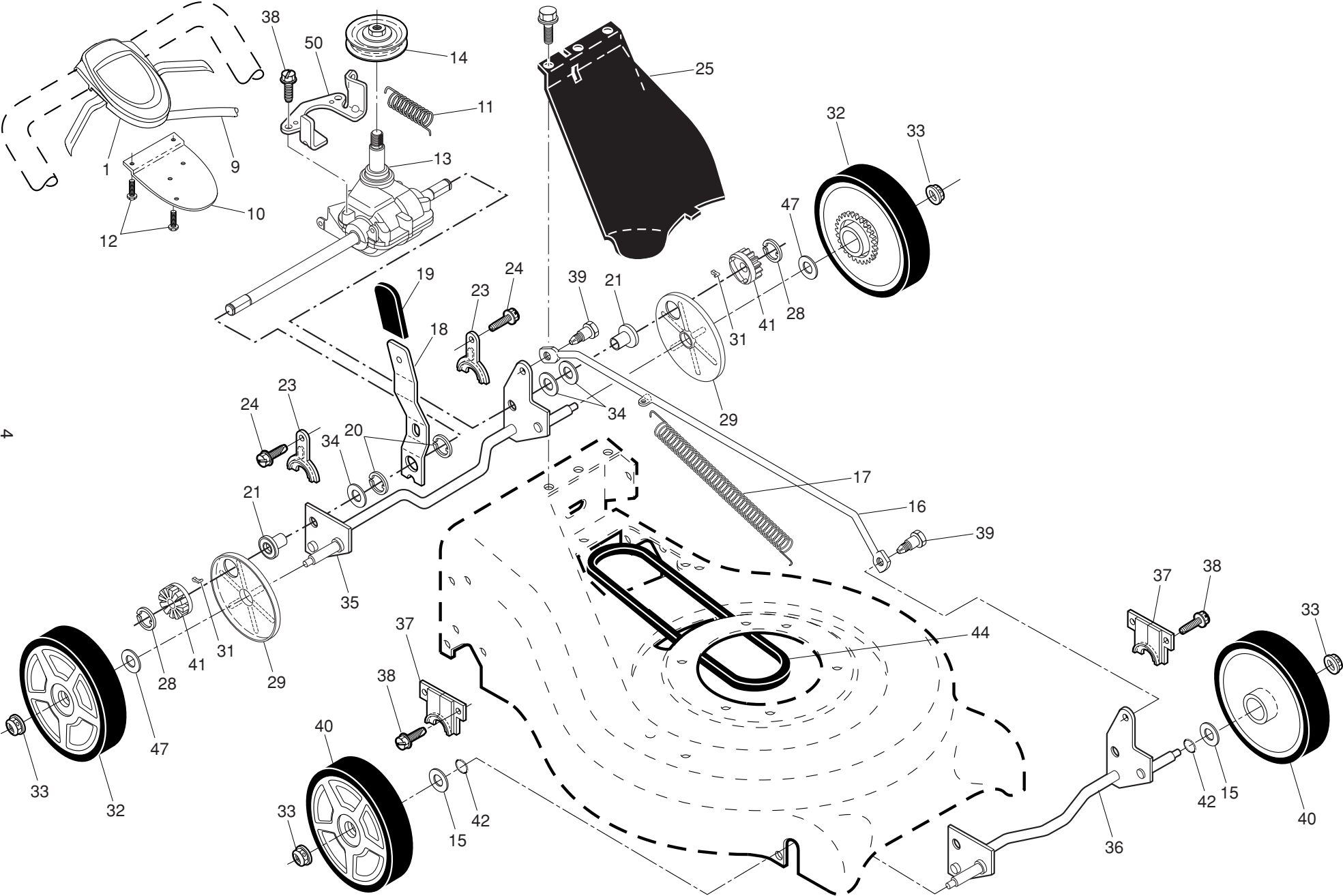
McCULLOCH ROTARY LAWN MOWER - MODEL NO. M53-190AREPX (96141026500) PRODUCT NO. 961 41 02-65

KEY NO.	PART NO.	DESCRIPTION	KEY NO.	PART NO.	DESCRIPTION
1	580 63 87-05	Handle, Upper	34	532 85 10-84	Screw, Hex Head 3/8-24 x 1.38
2	532 19 60-05	Handle, Lower	37	532 15 04-06	Bolt, Engine
3	532 40 54-16	Spring, Rear Door, RH	38	- - -	Engine, Briggs & Stratton, Model Number 126T05-1624-H1 (Order parts from B&S)
4	532 19 47-88	Guide, Rope, Side	39	581 00 29-05	Bag, Grass Catcher
5	532 13 20-04	Nut, Hex, with Lockwasher Insert 1/4-20	40	532 41 19-51	Frame, Grass Bag
7	532 19 15-74	Bolt, Handle 5/16-18 x 1.75	41	532 18 21-66	Decal Danger
8	532 18 23-98	Knob, Handle	42	817 06 04-10	Screw, Self Tapping
9	580 84 91-04	Control Bar, Molded	45	532 19 13-41	Mulcher Door
10	532 18 88-21	Bolt, Carriage	46	532 19 12-10	Discharge Deflector
11	532 75 11-53	Nut, Hex, with Lockwasher Insert 5/16-18 UNC	47	532 08 83-49	Nut, Hex
12	532 05 17-93	Cotter, Hairpin	48	532 42 90-01	Belt Keeper
13	532 40 54-15	Spring, Rear Door, LH	61	532 16 34-09	Screw, Hi-Lo Thread #12 x 5/8
14	532 17 88-48	Screw, Self-Tapping, Hex Washer Head #10-16 x 5/8	62	532 40 80-02	Box, Battery
15	532 43 00-34	Bracket, Upstop	63	532 18 95-89	Battery
16	532 40 88-88	Rear Door Assembly	64	532 19 24-36	Charger, Battery
17	532 18 41-93	Bolt, Rear Door	65	532 44 66-94	Screw
18	532 19 81-70	Plug, Mulcher	66	580 91 55-02	Electric Start Switch Assembly (Includes Switch Housing, Switch and Wiring Harness)
19	532 40 97-33	Kit, Lawn Mower Housing Assembly	67	580 91 52-03	Button, Start
20	532 19 40-29	Handle Bracket Assembly, LH	69	532 42 59-37	Fuse, 40 Amp
21	532 19 40-31	Handle Bracket Assembly, RH	96	532 19 79-91	Clip, Cable
22	532 42 88-67	Screw, Hex Washer Head	100	580 27 36-01	Shroud, Engine, McCulloch
23	532 16 31-83	Bolt, Hex Head 5/16-18 x 5/8	101	581 79 50-01	Mounting Screw, Engine Shroud
24	873 80 05-00	Nut, Hex, with Lockwasher Insert 5/16-18	102	532 44 66-95	Nut, Hex, with Lockwasher Insert 1/4-20
25	532 16 13-33	Baffle, Side	103	532 42 81-24	Fastener, Push
26	532 16 34-09	Screw, Hi-Lo Thread #12 x 5/8	--	532 18 21-34	Warning Decal (not shown)
29	532 42 74-97	Cable, Operator Presence	--	115 49 74-20	Operator's Manual, European
30	532 42 11-76	Adapter, Blade	--	115 49 74-10	Operator's Manual, Scandinavian
31	580 25 81-02	Blade, 21"	--	115 49 74-50	Operator's Manual, East Bloc
32	532 85 10-74	Washer, Hardened	--	115 49 74-40	Operator's Manual, Baltic
33	532 85 02-63	Lockwasher, Helical Spring 3/8			

NOTE: All component dimensions given in U.S. inches. 1 inch = 25.4 mm

IMPORTANT: Use only Original Equipment Manufacturer (O.E.M.) replacement parts. Failure to do so could be hazardous, damage your lawn mower and void your warranty.

McCULLOCH ROTARY LAWN MOWER - MODEL NO. M53-190AREPX (96141026500) PRODUCT NO. 961 41 02-65



McCULLOCH ROTARY LAWN MOWER - MODEL NO. M53-190AREPX (96141026500) PRODUCT NO. 961 41 02-65

KEY NO.	PART NO.	DESCRIPTION
1	581 07 50-18	Drive Control Assembly (Includes Cable)
9	532 43 16-55	Cable, Drive
10	532 43 27-90	Mounting Bracket, Drive Control
11	532 40 65-58	Spring, Return
12	532 18 16-98	Screw, Self-Tapping, Hex Washer Head #10-24
13	532 41 92-13	Gearcase Assembly, Complete
14	532 40 57-03	Pulley, Driven
15	532 08 83-48	Washer, Flat 3/8
16	532 40 71-47	Rod, Connecting
17	532 40 96-16	Spring, Extension
18	532 41 88-66	Spring, Selector
19	532 19 00-69	Knob, Selector Spring
20	812 00 00-22	E-Ring 7/8
21	532 40 48-38	Bearing Assembly
23	532 16 45-55	Retainer, Drive Assembly
24	817 06 04-10	Screw, Self-Tapping, Hex Head 1/4-20 x 5/8

KEY NO.	PART NO.	DESCRIPTION
25	532 43 26-70	Drive Cover Assembly (Includes Mounting Screw and Pushnut)
28	812 00 00-58	E-Ring 7/16
29	532 18 94-03	Cover, Dust, Wheel
31	532 40 48-45	Pawl, Drive
32	581 00 91-05	Wheel & Tire Assembly, Rear, Driven
33	532 40 91-48	Nut, Hex, Flangelock
34	532 85 12-26	Washer
35	532 41 09-22	Shaft Assembly, Rear
36	532 41 09-33	Shaft Assembly, Front
37	532 16 14-63	Retainer, Front Shaft
38	532 16 34-09	Screw, Hi-Lo Thread #12 x 5/8
39	532 40 70-59	Bolt, Shoulder, Semi-Gimlett Point
40	581 00 94-05	Wheel & Tire Assembly, Front
41	532 40 48-35	Pinion Assembly
42	532 19 74-80	O-Ring
44	532 40 65-57	V-Belt
47	532 06 77-25	Washer 1/2 x 1-1/2 x .134
50	532 41 37-22	Belt Keeper

NOTE: All component dimensions given in U.S. inches. 1 inch = 25.4 mm

IMPORTANT: Use only Original Equipment Manufacturer (O.E.M.) replacement parts. Failure to do so could be hazardous, damage your lawn mower and void your warranty.