

# Operator's Manual Manual de Operario

## M22-46T



English/Spanish



**Gasoline containing up to 10% ethanol (E10) is acceptable for use in this machine. The use of any gasoline exceeding 10% ethanol (E10) will void the product warranty.**

**Esta máquina puede utilizar gasolina con un contenido de hasta el 10% de etanol (E10). El uso de una gasolina que supere el 10% de etanol (E10) anulará la garantía del producto. the product warranty.**

Please read the operator's manual carefully and make sure you understand the instructions before using the machine.

Por favor lea cuidadosamente y comprenda estas intrucciones antes de usar esta maquina.



# SAFETY RULES

## Safe Operation Practices for Ride-On Mowers



**DANGER: THIS CUTTING MACHINE IS CAPABLE OF AMPUTATING HANDS AND FEET AND THROWING OBJECTS. FAILURE TO OBSERVE THE FOLLOWING SAFETY INSTRUCTIONS COULD RESULT IN SERIOUS INJURY OR DEATH.**



**WARNING: In order to prevent accidental starting when setting up, transporting, adjusting or making repairs, always disconnect spark plug wire and place wire where it cannot contact spark plug.**



**WARNING: Do not coast down a hill in neutral, you may lose control of the tractor.**



**WARNING: Tow only the attachments that are recommended by and comply with specifications of the manufacturer of your tractor. Use common sense when towing. Operate only at the lowest possible speed when on a slope. Too heavy of a load, while on a slope, is dangerous. Tires can lose traction with the ground and cause you to lose control of your tractor.**



### WARNING

**Engine exhaust, some of its constituents, and certain vehicle components contain or emit chemicals known to the State of California to cause cancer and birth defects or other reproductive harm.**



### WARNING

**Battery posts, terminals and related accessories contain lead and lead compounds, chemicals known to the State of California to cause cancer and birth defects or other reproductive harm. Wash hands after handling.**

## I. GENERAL OPERATION

- Read, understand, and follow all instructions on the machine and in the manual before starting.
- Do not put hands or feet near rotating parts or under the machine. Keep clear of the discharge opening at all times.
- Only allow responsible adults, who are familiar with the instructions, to operate the machine.
- Clear the area of objects such as rocks, toys, wire, etc., which could be picked up and thrown by the blades.
- Ensure the area is clear of bystanders before operating. Stop machine if anyone enters the area.
- Never carry passengers.
- Do not mow in reverse unless absolutely necessary. Always look down and behind before and while backing.
- Never direct discharged material toward anyone. Avoid discharging material against a wall or obstruction. Material may ricochet back toward the operator. Stop the blades when crossing gravel surfaces.
- Do not operate machine without the entire grass catcher, discharge chute, or other safety devices in place and working.
- Slow down before turning.

- Never leave a running machine unattended. Always turn off blades, set parking brake, stop engine, and remove keys before dismounting.
- Disengage blades when not mowing. Shut off engine and wait for all parts to come to a complete stop before cleaning the machine, removing the grass catcher, or unclogging the discharge chute.
- Operate machine only in daylight or good artificial light.
- Do not operate the machine while under the influence of alcohol or drugs.
- Watch for traffic when operating near or crossing roadways.
- Use extra care when loading or unloading the machine into a trailer or truck.
- Always wear eye protection when operating machine.
- Data indicates that operators, age 60 years and above, are involved in a large percentage of riding mower-related injuries. These operators should evaluate their ability to operate the riding mower safely enough to protect themselves and others from serious injury.
- Follow the manufacturer's recommendation for wheel weights or counterweights.
- Keep machine free of grass, leaves or other debris build-up which can touch hot exhaust / engine parts and burn. Do not allow the mower deck to plow leaves or other debris which can cause build-up to occur. Clean any oil or fuel spillage before operating or storing the machine. Allow machine to cool before storage.

## II. SLOPE OPERATION

Slopes are a major factor related to loss of control and tip-over accidents, which can result in severe injury or death. Operation on all slopes requires extra caution. If you cannot back up the slope or if you feel uneasy on it, do not mow it.

- Mow up and down slopes, not across.
- Watch for holes, ruts, bumps, rocks, or other hidden objects. Uneven terrain could overturn the machine. Tall grass can hide obstacles.
- Choose a low ground speed so that you will not have to stop or shift while on the slope.
- Do not mow on wet grass. Tires may lose traction. Always keep the machine in gear when going down slopes. Do not shift to neutral and coast downhill.
- Avoid starting, stopping, or turning on a slope. If the tires lose traction, disengage the blades and proceed slowly straight down the slope.
- Keep all movement on the slopes slow and gradual. Do not make sudden changes in speed or direction, which could cause the machine to roll over.
- Use extra care while operating machine with grass catchers or other attachments; they can affect the stability of the machine. Do no use on steep slopes.
- Do not try to stabilize the machine by putting your foot on the ground.
- Do not mow near drop-offs, ditches, or embankments. The machine could suddenly roll over if a wheel is over the edge or if the edge caves in.



# SAFETY RULES

## Safe Operation Practices for Ride-On Mowers



### III. CHILDREN



**WARNING. CHILDREN CAN BE INJURED BY THIS EQUIPMENT. The American Academy of Pediatrics recommends that children be a minimum of 12 year of age before operating a pedestrian controlled lawn mower and a minimum of 16 years of age before operating a riding lawn mower.**

Tragic accidents can occur if the operator is not alert to the presence of children. Children are often attracted to the machine and the mowing activity. Never assume that children will remain where you last saw them.

- Keep children out of the mowing area and in the watchful care of a responsible adult other than the operator.
- Be alert and turn machine off if a child enters the area.
- Before and while backing, look behind and down for small children.
- Never carry children, even with the blades shut off. They may fall off and be seriously injured or interfere with safe machine operation. Children who have been given rides in the past may suddenly appear in the mowing area for another ride and be run over or backed over by the machine.
- Never allow children to operate the machine.
- Use extra care when approaching blind corners, shrubs, trees, or other objects that may block your view of a child.

### IV. TOWING

- Tow only with a machine that has a hitch designed for towing. Do not attach towed equipment except at the hitch point.
- Follow the manufacturer's recommendation for weight limits for towed equipment and towing on slopes.
- Never allow children or others in or on towed equipment.
- On slopes, the weight of the towed equipment may cause loss of traction and loss of control.
- Travel slowly and allow extra distance to stop.

### V. SERVICE

#### SAFE HANDLING OF GASOLINE

To avoid personal injury or property damage, use extreme care in handling gasoline. Gasoline is extremely flammable and the vapors are explosive.

- Extinguish all cigarettes, cigars, pipes, and other sources of ignition.
- Use only approved gasoline container.
- Never remove gas cap or add fuel with the engine running. Allow engine to cool before refueling.
- Never fuel the machine indoors.
- Never store the machine or fuel container where there is an open flame, spark, or pilot light such as on a water heater or other appliances.
- Never fill containers inside a vehicle or on a truck or trailer bed with plastic liner. Always place containers on the ground away from your vehicle when filling.
- Remove gas-powered equipment from the truck or trailer and refuel it on the ground. If this is not possible, then refuel such equipment with a portable container, rather than from a gasoline dispenser nozzle.
- Keep the nozzle in contact with the rim of the fuel tank or container opening at all times until fueling is complete. Do not use a nozzle lock-open device.

- If fuel is spilled on clothing, change clothing immediately.
- Never overfill fuel tank. Replace gas cap and tighten securely.

#### GENERAL SERVICE

- Never operate machine in a closed area.
- Keep all nuts and bolts tight to ensure the equipment is in safe working condition.
- Never tamper with safety devices. Check their proper operation regularly.
- Keep machine free of grass, leaves, or other debris build-up. Clean oil or fuel spillage and remove any fuel-soaked debris. Allow machine to cool before storing.
- If you strike a foreign object, stop and inspect the machine. Repair, if necessary, before restarting.
- Never make any adjustments or repairs with the engine running.
- Check grass catcher components and the discharge chute frequently and replace with manufacturer's recommended parts, when necessary.
- Mower blades are sharp. Wrap the blade or wear gloves, and use extra caution when servicing them.
- Check brake operation frequently. Adjust and service as required.
- Maintain or replace safety and instruction labels, as necessary.



- Ensure the area is clear of bystanders before operating. Stop machine if anyone enters the area.
- Never carry passengers.
- Do not mow in reverse unless absolutely necessary. Always look down and behind before and while backing.
- Never carry children, even with the blades shut off. They may fall off and be seriously injured or interfere with safe machine operation. Children who have been given rides in the past may suddenly appear in the mowing area for another ride and be run over or backed over by the machine.
- Keep children out of the mowing area and in the watchful care of a responsible adult other than the operator.
- Be alert and turn machine off if a child enters the area.
- Before and while backing, look behind and down for small children.
- Mow up and down slopes (15° Max), not across.
- Choose a low ground speed so that you will not have to stop or shift while on the slope.
- Avoid starting, stopping, or turning on a slope. If the tires lose traction, disengage the blades and proceed slowly straight down the slope.
- If machine stops while going uphill, disengage blades, shift into reverse and back down slowly.
- Do not turn on slopes unless necessary, and then, turn slowly and gradually downhill, if possible.
- When loading or unloading this machine, do not exceed the maximum recommended operation angle of 15°.

## PRODUCT SPECIFICATIONS

Gasoline Capacity and type:	3.0 Gallons (11,35 L) Unleaded Regular
Oil Type: (API: SG-SL)	SAE 30 (above 32°F/0°C) SAE 5W30 (below 32°F/0°C)
Oil Capacity:	w/Filter: 64 oz. (1.96 L) w/o Filter: 60 oz. (1.77 L)
Spark Plug:	Champion QC12YC Gap: .040"(1,02 mm)
Charging System:	3 Amps Battery 5 Amps Headlights
Battery:	Amp/Hr: 28 Min. CCA: 230 Case Size: U1R
Blade Bolt Torque:	45-55 FT. LBS. (62-75 Nm)

**CONGRATULATIONS** on your purchase of a new tractor. It has been designed, engineered and manufactured to give you the best possible dependability and performance.

Should you experience any problem you cannot easily remedy, please contact your nearest authorized service center/department. We have competent, well-trained technicians and the proper tools to service or repair this tractor.

Please read and retain this manual. The instructions will enable you to assemble and maintain your tractor properly. Always observe the "SAFETY RULES".

## CUSTOMER RESPONSIBILITIES

- Read and observe the safety rules.
- Follow a regular schedule in maintaining, caring for and using your tractor.
- Follow the instructions under "Maintenance" and "Storage" sections of this manual.
- Wear proper Personal Protective Equipment (PPE) while operating this machine, including (at a minimum) sturdy footwear, eye protection, and hearing protection. Do not mow in shorts and/or, open toed footwear.
- Always let someone know you are outside mowing.

**WARNING:** This tractor is equipped with an internal combustion engine and should not be used on or near any unimproved forest-covered, brush-covered or grass-covered land unless the engine's exhaust system is equipped with a spark arrester meeting applicable local or state laws (if any). If a spark arrester is used, it should be maintained in effective working order by the operator.

A spark arrester for the muffler is available through your nearest authorized service center/department.

In the state of California the above is required by law (Section 4442 of the California Public Resources Code). Other states may have similar laws. Federal laws apply on federal lands.

---

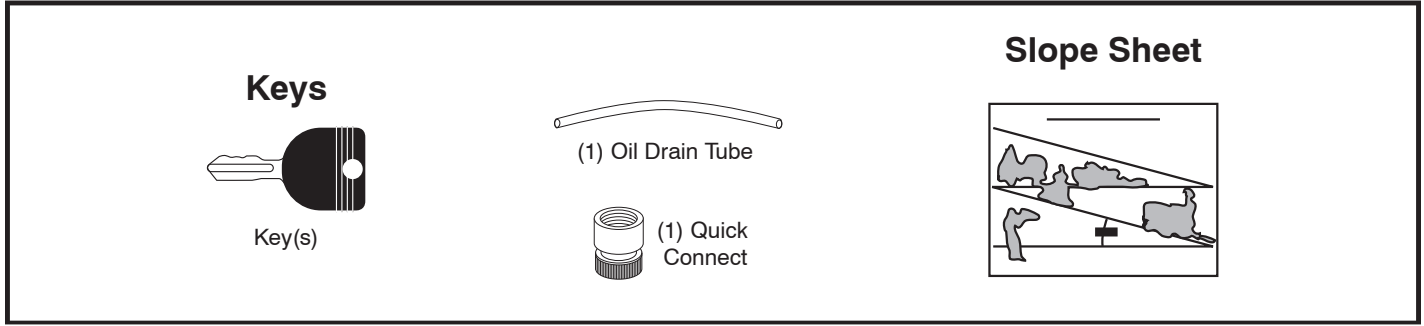
## TABLE OF CONTENTS

---

SAFETY RULES .....	2-3
PRODUCT SPECIFICATIONS.....	4
CUSTOMER RESPONSIBILITIES.....	4
ASSEMBLY .....	5-6
OPERATION .....	7-13
MAINTENANCE SCHEDULE .....	14

MAINTENANCE .....	14-17
SERVICE AND ADJUSTMENTS .....	18-23
STORAGE.....	24
TROUBLESHOOTING .....	25-26
WARRANTY.....	28
ESPAÑOL .....	29

# UNASSEMBLED PARTS



# ASSEMBLY

Your new tractor has been assembled at the factory with the exception of those parts left unassembled for shipping purposes.

## TOOLS REQUIRED FOR ASSEMBLY

A socket wrench set will make assembly easier. Standard wrench sizes are listed.

- (1) 1/2" wrench                      Tire pressure gauge
- (2) 7/16" wrenches              Utility knife                      Pliers

When right or left hand is mentioned in this manual, it means when you are in the operating position (seated behind the steering wheel).

## TO REMOVE TRACTOR FROM CARTON

### UNPACK CARTON

- Remove all accessible loose parts and parts cartons from carton.
- Remove end panels and lay side panels flat.
- Check for any additional loose parts or cartons and remove.

## BEFORE REMOVING TRACTOR FROM SKID

### CHECK BATTERY (See Fig. 1)

- Lift hood to raised position.

**NOTE:** If this battery is put into service after month and year indicated on label (label is located between terminals) charge battery for minimum of one hour at 6-10 amps. (See "BATTERY" in the Maintenance section of this manual for charging instructions.)

- For battery and battery cable installation see "REPLACING BATTERY" in the Service and Adjustments section in this manual.

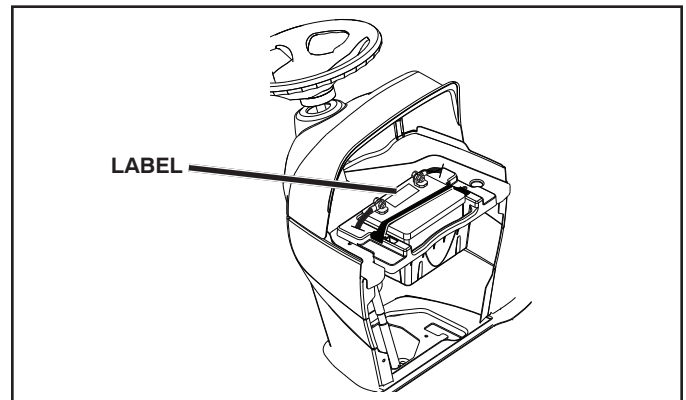


Fig. 1

### ADJUST SEAT (See Fig. 2)

- Sit in seat.
- Lift up adjustment lever (A) and slide seat until a comfortable position is reached which allows you to press clutch/brake pedal all the way down.
- Release lever to lock seat in position.

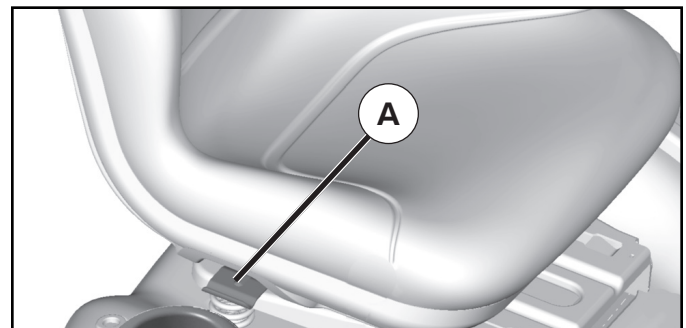


Fig. 2

---

# ASSEMBLY

---

**NOTE:** You may now roll your tractor off the skid. Follow the instructions below to remove the tractor from the skid.

**⚠ WARNING:** Before starting, read, understand and follow all instructions in the Operation section of this manual. Ensure tractor is in a well-ventilated area. Ensure the area in front of tractor is clear of other people and objects.

## **TO ROLL TRACTOR OFF SKID (See Operation section for location and function of controls)**

- Raise attachment lift lever to its highest position.
- Release parking brake by depressing clutch/brake pedal.
- Place freewheel control in "TRANSMISSION DISENGAGED" position. (See "TO TRANSPORT" in the Operation section of this manual.)
- Roll tractor forward off skid.
- Remove banding holding the deflector shield up against tractor.

Continue with the instructions that follow.

## **CHECK TIRE PRESSURE**

The tires on your tractor were overinflated at the factory for shipping purposes. Correct tire pressure is important for best cutting performance.

- Reduce tire pressure to PSI shown on tires.

## **CHECK DECK LEVELNESS**

For best cutting results, mower housing should be properly leveled. See "TO LEVEL MOWER HOUSING" in the Service and Adjustments section of this manual.

## **CHECK FOR PROPER POSITION OF ALL BELTS**

See the figures that are shown for replacing motion and mower blade drive belts in the Service and Adjustments section of this manual. Verify that the belts are routed correctly.

## **CHECK BRAKE SYSTEM**

After you learn how to operate your tractor, check to see that the brake is operating properly. See "TO CHECK BRAKE" in the Service and Adjustments section of this manual.

## **✓ CHECKLIST**

*BEFORE YOU OPERATE YOUR NEW TRACTOR, WE WISH TO ENSURE THAT YOU RECEIVE THE BEST PERFORMANCE AND SATISFACTION FROM THIS QUALITY PRODUCT.*

*PLEASE REVIEW THE FOLLOWING CHECKLIST:*

- ✓ All assembly instructions have been completed.
- ✓ No remaining loose parts in carton.
- ✓ Battery is properly prepared and charged.
- ✓ Seat is adjusted comfortably and tightened securely.
- ✓ All tires are properly inflated. (For shipping purposes, the tires were overinflated at the factory.)
- ✓ Ensure mower deck is properly leveled side-to-side/front-to-rear for best cutting results. (Tires must be properly inflated for leveling.)
- ✓ Check mower and drive belts. Ensure they are routed properly around pulleys and inside all belt keepers.
- ✓ Check wiring. See that all connections are still secure and wires are properly clamped.
- ✓ Before driving tractor, ensure freewheel control is in "TRANSMISSION ENGAGED" position. (See "TO TRANSPORT" in the Operation section of this manual.)

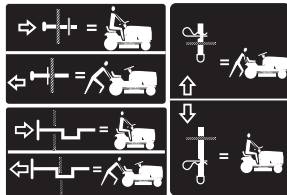
*WHILE LEARNING HOW TO USE YOUR TRACTOR, PAY EXTRA ATTENTION TO THE FOLLOWING IMPORTANT ITEMS:*

- ✓ Engine oil is at proper level.
- ✓ Fuel tank is filled with fresh, clean, regular unleaded gasoline.
- ✓ Become familiar with all controls, their location and functions. Operate them before you start the engine.
- ✓ Ensure brake system is in safe operating condition.
- ✓ Ensure Operator Presence System and Reverse Operation System (ROS) are working properly. (See the Operation and Maintenance sections in this manual.)



# OPERATION

These symbols may appear on your tractor or in literature supplied with the product. Learn and understand their meaning.



**FREE WHEEL**  
(Automatic Models only)



Failure to follow instructions could result in serious injury or death. The safety alert symbol is used to identify safety information about hazards which can result in death, serious injury and/or property damage.



**DANGER** indicates a hazard which, if not avoided, will result in death or serious injury.



**WARNING** indicates a hazard which, if not avoided, could result in death or serious injury.



**CAUTION** indicates a hazard which, if not avoided, might result in minor or moderate injury.

**CAUTION** when used **without** the alert symbol, indicates a situation that **could result in damage to the tractor and/or engine.**



**HOT SURFACES** indicates a hazard which, if not avoided, could result in death, serious injury and/or property damage.



**FIRE** indicates a hazard which, if not avoided, could result in death, serious injury and/or property damage.

# OPERATION

## KNOW YOUR TRACTOR

### READ THIS OPERATOR'S MANUAL AND SAFETY RULES BEFORE OPERATING YOUR TRACTOR

Compare the illustrations with your tractor to familiarize yourself with the locations of various controls and adjustments. Save this manual for future reference.

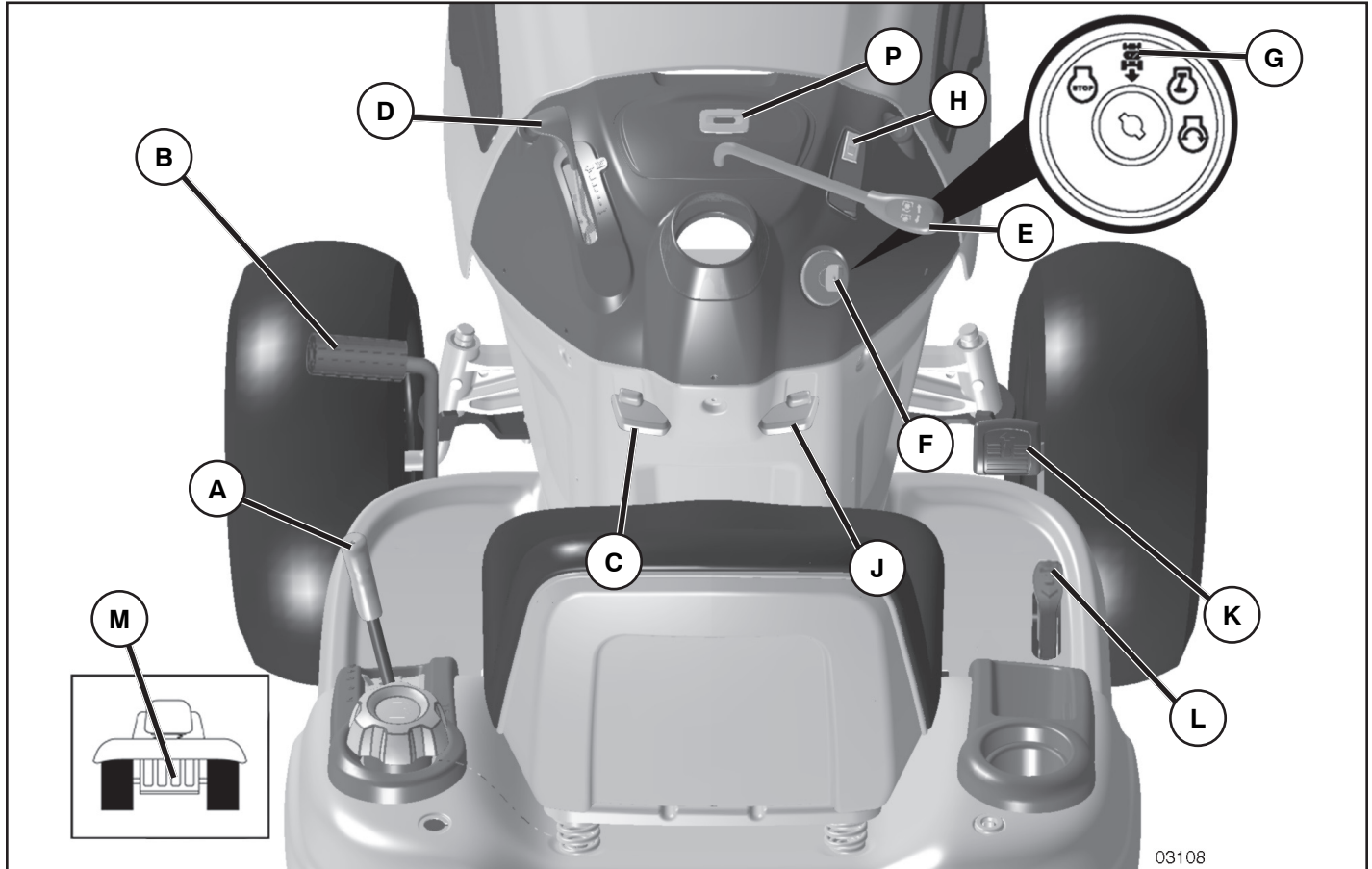


Fig. 3

Our tractors conform to the applicable safety standards of the American National Standards Institute.

**(A) ATTACHMENT LIFT LEVER** - Used to raise and lower the mower or other attachments mounted to your tractor.

**(B) BRAKE PEDAL** - Used for braking the tractor and starting the engine.

**(C) PARKING BRAKE** - Locks clutch/brake pedal into the brake position.

**(D) THROTTLE/CHOKE CONTROL** - Used for starting and controlling engine speed.

**(E) ATTACHMENT CLUTCH LEVER** - Used to engage the mower blades, or other attachments mounted to your tractor.

**(F) IGNITION SWITCH** - Used for starting and stopping the engine.

**(G) REVERSE OPERATION SYSTEM (ROS) "ON" POSITION** - Allows operation of mower or other powered attachment while in reverse.

**(H) LIGHT SWITCH** - Turns the headlights on and off.

**(J) CRUISE CONTROL LEVER** - Used to set forward movement of tractor at desired speed without holding the forward drive pedal.

**(K) FORWARD DRIVE PEDAL** - Used for forward movement of tractor.

**(L) REVERSE DRIVE PEDAL** - Used for reverse movement of tractor.

**(M) FREEWHEEL CONTROL** - Disengages transmission for pushing or slowly towing the tractor with the engine off.

**(P) SERVICE REMINDER/HOUR METER** - Indicates when service is required for the engine and mower.



# OPERATION



The operation of any tractor can result in foreign objects thrown into the eyes, which can result in severe eye damage. Always wear safety glasses or eye shields while operating your tractor or performing any adjustments or repairs. We recommend standard safety glasses or a wide vision safety mask worn over spectacles.

## HOW TO USE YOUR TRACTOR

### TO SET PARKING BRAKE (See Fig. 4)

Your tractor is equipped with an operator presence sensing switch. When engine is running, any attempt by the operator to leave the seat without first setting the parking brake will shut off the engine.

- Depress brake pedal (B) all the way down and hold.
- Pull parking brake lever (C) up and hold, release pressure from brake pedal (B), then release parking brake lever. Pedal should remain in brake position. Ensure parking brake will hold tractor secure.

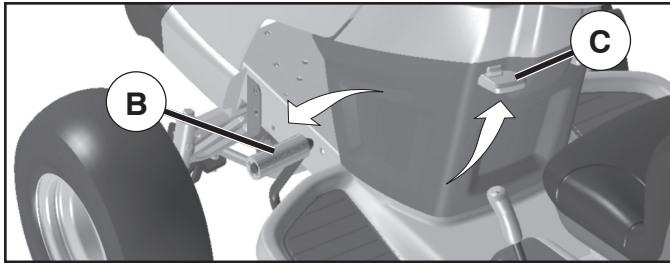
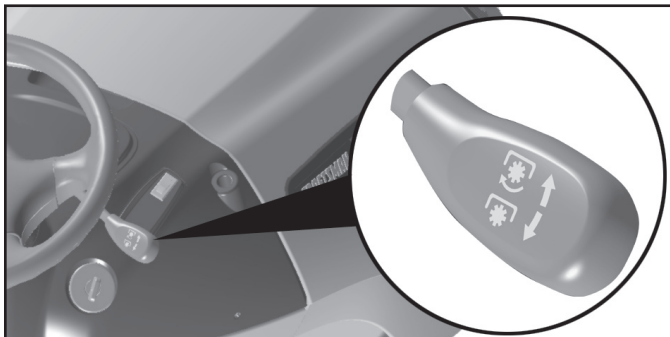


Fig. 4

### STOPPING (See Fig. 5)

#### MOWER BLADES -

- To stop mower blades, place attachment clutch control in the "DISENGAGED" position (☒).



(☒) ATTACHMENT CLUTCH LEVER "DISENGAGED"

(☑) ATTACHMENT CLUTCH LEVER "ENGAGED"

Fig. 5

#### GROUND DRIVE -

- To stop ground drive, depress brake pedal into full "BRAKE" position.

**IMPORTANT:** FORWARD AND REVERSE DRIVE PEDALS RETURN TO NEUTRAL POSITION WHEN NOT DEPRESSED.

#### ENGINE -

- Move throttle control (D) to slow position.

**NOTE:** Failure to move throttle control to slow position and allowing engine to idle before stopping may cause engine to "backfire".

- Turn ignition key (F) to "STOP" position and remove key. Always remove key when leaving tractor to prevent unauthorized use.
- Never use the choke to stop the engine.

**IMPORTANT:** LEAVING THE IGNITION SWITCH IN ANY POSITION OTHER THAN "STOP" WILL CAUSE THE BATTERY TO DISCHARGE AND GO DEAD.

**NOTE:** Under certain conditions when tractor is standing idle with the engine running, hot engine exhaust gases may cause "browning" of grass. To eliminate this possibility, always stop engine when stopping tractor on grass areas.



**CAUTION:** Always stop tractor completely, as described above, and set parking brake before leaving the operator's position.

### TO USE THROTTLE CONTROL (D) (See Fig. 6)

Always operate engine at full speed (fast).

- Operating engine at less than full speed (fast) reduces the engine's operating efficiency.
- Full speed (fast) offers the best mower performance.

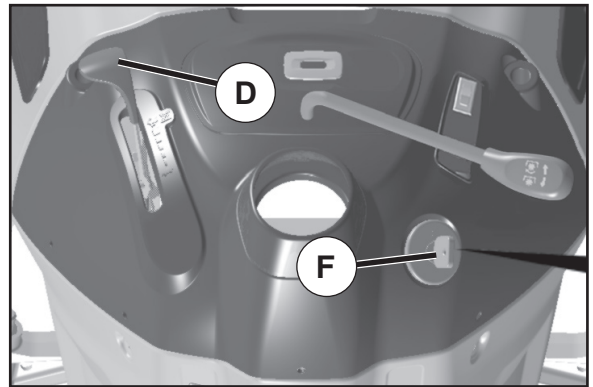


Fig. 6

### TO MOVE FORWARD AND BACKWARD (See Fig. 7)

The direction and speed of movement is controlled by the forward and reverse drive pedals.

- Start tractor and release parking brake.
- Slowly depress forward (K) or reverse (L) drive pedal to begin movement. Ground speed increases the further down the pedal is depressed.

# OPERATION

## TO USE CRUISE CONTROL (J) (See Fig. 7)

The cruise control feature can be used for forward travel only.

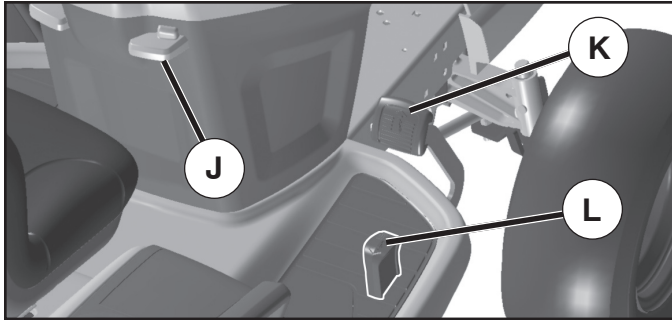


Fig. 7

### SYSTEM CHARACTERISTICS

The cruise control should only be used while mowing or transporting on relatively smooth, straight surfaces. Other conditions such as trimming at slow speeds may cause the cruise control to disengage. Do not use the cruise control on slopes, rough terrain or while trimming or turning.

- With forward drive pedal depressed to desired speed, pull cruise control lever (J) up and hold while lifting your foot off the pedal, then release the lever.

To disengage the cruise control, depress the brake pedal or tap on forward drive pedal.

## TO ADJUST MOWER CUTTING HEIGHT (See Fig. 8)

The position of the attachment lift lever (A) determines the cutting height.

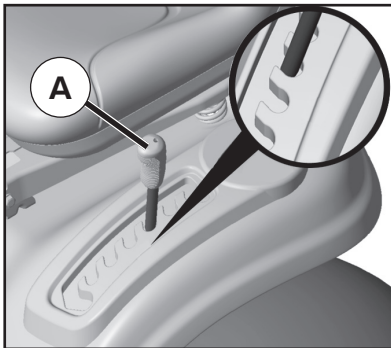


Fig. 8

- Put attachment lift lever in desired cutting height slot. The cutting height range is approximately 1" to 4". The heights are measured from the ground to the blade tip with the engine not running. These heights are approximate and may vary depending upon soil conditions, height of grass and types of grass being mowed.
- The average lawn should be cut to approximately 2-1/2" during the cool season and to over 3" during hot months. For healthier and better looking lawns, mow often and after moderate growth.
- For best cutting performance, grass over 6" in height should be mowed twice. Make the first cut relatively high; the second to desired height.

## TO ADJUST GAUGE WHEELS (See Fig. 9)

Gauge wheels are properly adjusted when they are slightly off the ground when mower is at the desired cutting height in operating position. Gauge wheels then keep the deck in proper position to help prevent scalping in most terrain conditions.

**NOTE:** Adjust gauge wheels with tractor on a flat level surface.

- Adjust mower to desired cutting height (See "TO ADJUST MOWER CUTTING HEIGHT" in this section of manual).
- With mower in desired height of cut position, gauge wheels should be assembled so they are slightly off the ground. Install gauge wheel in appropriate hole. Tighten securely.
- Repeat for all, installing gauge wheel in same adjustment hole.

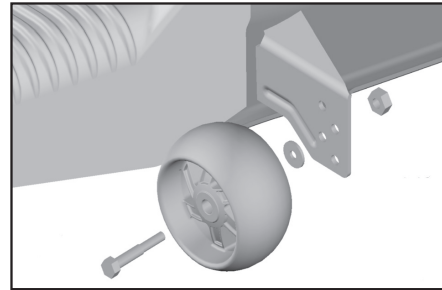


Fig. 9

## TO OPERATE MOWER

Your tractor is equipped with an operator presence sensing switch. Any attempt by the operator to leave the seat with the engine running and the attachment clutch engaged will shut off the engine. You must remain fully and centrally positioned in the seat to prevent the engine from hesitating or cutting off when operating your equipment on rough, rolling terrain or hills.

- Select desired height of cut (see "TO ADJUST MOWER CUTTING HEIGHT".)
- Start mower blades by engaging attachment clutch control.

## TO STOP MOWER BLADES

- Disengage attachment clutch control.



**CAUTION:** Do not operate the mower without either the entire grass catcher, on mowers so equipped, or the deflector shield (S) in place (See Fig. 10).

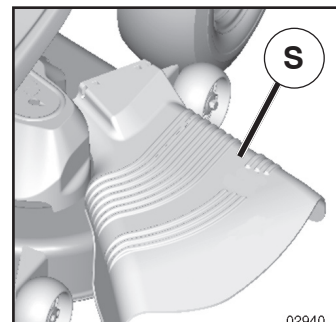


Fig. 10

# OPERATION

## REVERSE OPERATION SYSTEM (ROS) (See Fig. 11)

Your tractor is equipped with a Reverse Operation System (ROS). Any attempt by the operator to travel in the reverse direction with the attachment clutch engaged will shut off the engine unless ignition key is placed in the ROS "ON" position.

**⚠WARNING:** Backing up with the attachment clutch engaged while mowing is strongly discouraged. Turning the ROS "ON", to allow reverse operation with the attachment clutch engaged, should only be done when the operator decides it is necessary to reposition the machine with the attachment engaged. **Do not mow in reverse unless absolutely necessary.**

### USING THE REVERSE OPERATION SYSTEM -

Only use if you are certain no children or other bystanders will enter the mowing area.

- Depress brake pedal all the way down.
- With engine running, turn ignition key counterclockwise to ROS "ON" position.
- Look down and behind before and while backing.
- Slowly depress reverse drive pedal to start movement.
- When use of the ROS is no longer needed, turn the ignition key clockwise to engine "ON" position.

ROS "ON" POSITION



ENGINE "ON" POSITION (NORMAL OPERATING)



Fig. 11

## TO OPERATE ON HILLS



**CAUTION:** Do not drive up or down hills with slopes greater than 15° and do not drive across any slope.

- Choose the slowest speed before starting up or down hills.
- Avoid stopping or changing speed on hills.
- If stopping is absolutely necessary, push brake pedal quickly to brake position and engage parking brake.
- To restart movement, slowly release parking brake and brake pedal.
- Slowly depress appropriate drive pedal to slowest setting.
- Make all turns slowly.

## TO TRANSPORT (See Fig. 12)

When pushing or towing your tractor, ensure transmission is disengaged by placing freewheel control in freewheeling position. Free wheel control is located at the rear drawbar of tractor.

- Raise attachment lift to highest position with attachment lift control.
- Pull freewheel control out until the free wheel control rod locks in extended position.
- Do not push or tow tractor at more than two (2) MPH.
- To reengage transmission, reverse above procedure.

**NOTE:** Freewheel control will automatically disengage when the brake/clutch pedal is depressed.

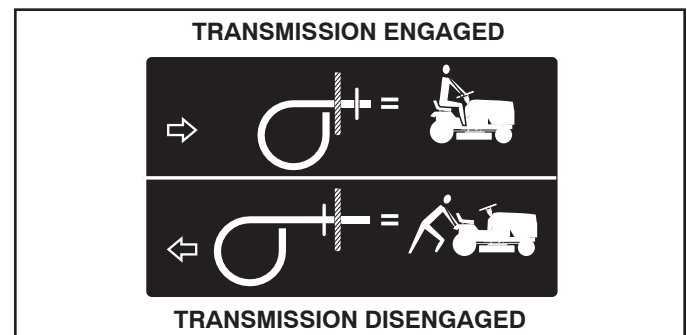


Fig. 12

**NOTE:** To protect hood from damage when transporting your tractor on a truck or a trailer, ensure hood is closed and secured to tractor. Use an appropriate means of tying hood to tractor (rope, cord, etc.).

## TOWING CARTS AND OTHER ATTACHMENTS

Tow only the attachments that are recommended by and comply with specifications of the manufacturer of your tractor. Use common sense when towing. Too heavy of a load, while on a slope, is dangerous. Tires can lose traction with the ground and cause you to lose control of your tractor.

## SERVICE REMINDER/HOUR METER

Service reminder shows the total number of hours the engine has run and indicates when the engine or mower needs servicing. After every 50 hours of operation the oil can icon will stay on for 2 hours or until a manual reset occurs. To reset the display manually turn the ignition switch to the on position, then the off position five times (1 second on, 1 second off). To service engine and mower, see the Maintenance section of this manual.

**Note:** Service reminder runs when the ignition key is in any position but "STOP". For accurate reading, be sure key remains in the "STOP" position when engine is not running.

# OPERATION

## BEFORE STARTING THE ENGINE

### CHECK ENGINE OIL LEVEL

The engine in your tractor has been shipped, from the factory, already filled with summer weight oil.

- Check engine oil with tractor on level ground.
- Remove oil fill cap/dipstick and wipe clean, reinsert the dipstick and screw cap tight, wait for a few seconds, remove and read oil level. If necessary, add oil until "FULL" mark on dipstick is reached. Do not overfill.
- For cold weather operation you should change oil for easier starting (See "OIL VISCOSITY CHART" in the Maintenance section of this manual).
- To change engine oil, see the Maintenance section in this manual.

### ADD GASOLINE

- Fill fuel tank to bottom of filler neck. Do not overfill. Use fresh, clean, regular unleaded gasoline with a minimum of 87 octane. (Use of leaded gasoline will increase carbon and lead oxide deposits and reduce valve life). Do not mix oil with gasoline. Purchase fuel in quantities that can be used within 30 days to assure fuel freshness.



**CAUTION: Wipe off any spilled oil or fuel. Do not store, spill or use gasoline near an open flame.**

**IMPORTANT:** WHEN OPERATING IN TEMPERATURES BELOW 32°F (0°C), USE FRESH, CLEAN WINTER GRADE GASOLINE TO HELP ENSURE GOOD COLD WEATHER STARTING.

**CAUTION: Alcohol blended fuels (called gasohol or using ethanol or methanol) can attract moisture which leads to separation and formation of acids during storage. Acidic gas can damage the fuel system of an engine while in storage. To avoid engine problems, the fuel system should be emptied before storage of 30 days or longer. Drain the gas tank, start the engine and let it run until the fuel lines and carburetor are empty. Use fresh fuel next season. See Storage Instructions for additional information. Never use engine or carburetor cleaner products in the fuel tank or permanent damage may occur.**

## TO START ENGINE (See Fig. 3)

When starting the engine for the first time or if the engine has run out of fuel, it will take extra cranking time to move fuel from the tank to the engine.

- Ensure freewheel control is in the transmission engaged position.
- Sit on seat in operating position, depress brake pedal and set parking brake.
- Move attachment clutch to "DISENGAGED" position.
- Move throttle control to choke position.

**NOTE:** Before starting, read the warm and cold starting procedures below.

- Insert key into ignition and turn key clockwise to "START" position and release key as soon as engine starts. Do not run starter continuously for more than fifteen seconds per minute. If the engine does not start after several attempts, move throttle control to fast position, wait a few minutes and try again. If engine still does not start, move the throttle control back to the choke position and retry.

### WARM WEATHER STARTING (50°F/10°C and above)

- When engine starts, move the throttle control to the fast position.
- The attachments and ground drive can now be used. If the engine does not accept the load, restart the engine and allow it to warm up for one minute using the choke as described above.

### COLD WEATHER STARTING (50°F/10°C and below)

- When engine starts, allow engine to run with the throttle control in the choke position until the engine runs roughly, then move throttle control to fast position. This may require an engine warm-up period from several seconds to several minutes, depending on the temperature.

### AUTOMATIC TRANSMISSION WARM UP

- Before driving the unit in cold weather, the transmission should be warmed up as follows:
  - Ensure the tractor is on level ground.
  - Release the parking brake and let the brake slowly return to operating position.
  - Allow one minute for transmission to warm up. This can be done during the engine warm up period.
- The attachments can also be used during the engine warm-up period after the transmission has been warmed up.

**NOTE:** If at a high altitude (above 3000 feet) or in cold temperatures (below 32°F/0°C) the carburetor fuel mixture may need to be adjusted for best engine performance. See "TO ADJUST CARBURETOR" in the Service and Adjustments section of this manual.

---

# OPERATION

---

## MOWING TIPS

- Tire chains cannot be used when the mower housing is attached to tractor.
- Mower should be properly leveled for best mowing performance. See "TO LEVEL MOWER HOUSING" in the Service and Adjustments section of this manual.
- The left hand side of mower should be used for trimming.
- Drive so that clippings are discharged onto the area that has been cut. Have the cut area to the right of the tractor. This will result in a more even distribution of clippings and more uniform cutting.
- When mowing large areas, start by turning to the right so that clippings will discharge away from shrubs, fences, driveways, etc. After one or two rounds, mow in the opposite direction making left hand turns until finished (See Fig. 13).

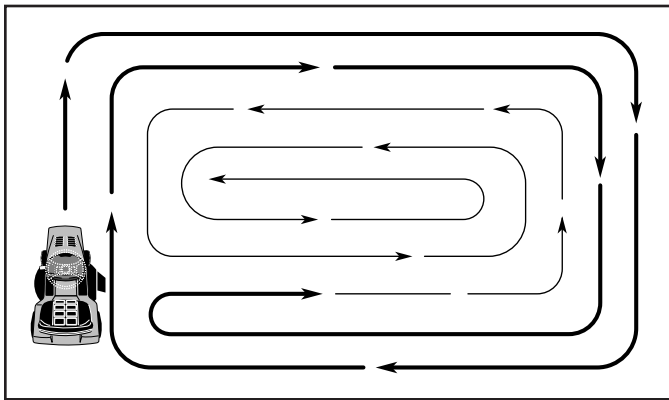


Fig. 13

- If grass is extremely tall, it should be mowed twice to reduce load and possible fire hazard from dried clippings. Make first cut relatively high; the second to the desired height.
- Do not mow grass when it is wet. Wet grass will plug mower and leave undesirable clumps. Allow grass to dry before mowing.
- **Always operate engine at full throttle when mowing** to assure better mowing performance and proper discharge of material. Regulate ground speed by selecting a low enough gear to give the mower cutting performance as well as the quality of cut desired.
- When operating attachments, select a ground speed that will suit the terrain and give best performance of the attachment being used.



# MAINTENANCE

MAINTENANCE SCHEDULE		BEFORE EACH USE	EVERY 8 HOURS	EVERY 25 HOURS	EVERY 50 HOURS	EVERY 100 HOURS	EVERY SEASON	BEFORE STORAGE
TRACTOR	Check Brake Operation	✓	✓					
	Check Tire Pressure	✓	✓					
	Check Operator Presence & ROS Systems	✓						
	Check for Loose Fasteners	✓				✓		✓
	Check/Replace Mower Blades			✓ <sub>3</sub>				
	Lubrication Chart			✓				✓
	Check Battery Level			✓ <sub>4</sub>				
	Clean Battery and Terminals			✓				✓
	Clean Debris Off Steering Plate			✓ <sub>5</sub>				
	Check Mower Levelness				✓			
	Check V-Belts					✓		
ENGINE	Check Engine Oil Level	✓	✓					
	Change Engine Oil (with oil filter)				✓ <sub>1,2</sub>			✓
	Change Engine Oil (without oil filter)			✓ <sub>1,2</sub>				✓
	Clean Air Filter			✓ <sub>2</sub>				
	Clean Air Screen			✓ <sub>2</sub>				
	Inspect Muffler/Spark Arrester				✓			
	Replace Oil Filter (If equipped)					✓ <sub>1,2</sub>		
	Clean Engine Cooling Fins					✓ <sub>2</sub>		
	Replace Spark Plug					✓	✓	
	Replace Air Filter Paper Cartridge					✓ <sub>2</sub>		
	Replace Fuel Filter						✓	

1 - Change more often when operating under a heavy load or in high ambient temperatures.  
2 - Service more often when operating in dirty or dusty conditions.

3 - Replace blades more often when mowing in sandy soil.  
4 - Not required if equipped with maintenance-free battery.

5 - See Cleaning in Maintenance Section.

## GENERAL RECOMMENDATIONS

The warranty on this tractor does not cover items that have been subjected to operator abuse or negligence. To receive full value from the warranty, operator must maintain tractor as instructed in this manual.

Some adjustments will need to be made periodically to properly maintain your tractor.

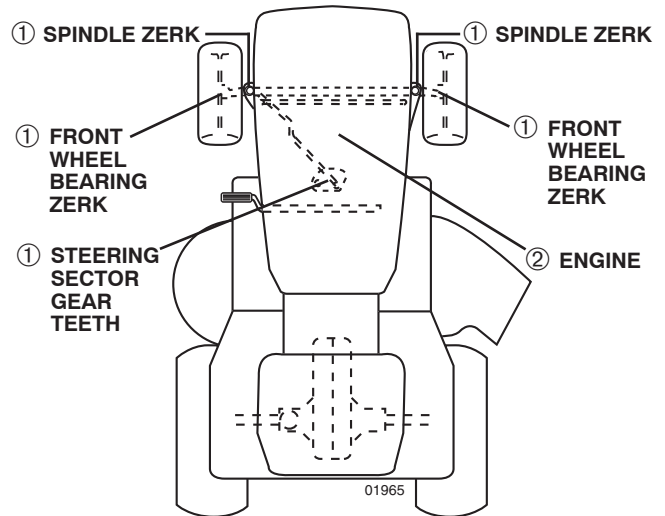
At least once a season, check to see if you should make any of the adjustments described in the Service and Adjustments section of this manual.

- At least once a year you should replace the spark plug, clean or replace air filter, and check blades and belts for wear. A new spark plug and clean air filter ensure proper air-fuel mixture and help your engine run better and last longer.

## BEFORE EACH USE

- Check engine oil level.
- Check brake operation.
- Check tire pressure.
- Check operator presence and ROS systems for proper operation.
- Check for loose fasteners.

## LUBRICATION CHART



- ① General Purpose Grease
- ② Refer to Maintenance "ENGINE" Section

**IMPORTANT:** DO NOT OIL OR GREASE THE PIVOT POINTS WHICH HAVE SPECIAL NYLON BEARINGS. VISCOUS LUBRICANTS WILL ATTRACT DUST AND DIRT THAT WILL SHORTEN THE LIFE OF THE SELF-LUBRICATING BEARINGS. IF YOU FEEL THEY MUST BE LUBRICATED, USE ONLY A DRY, POWDERED GRAPHITE TYPE LUBRICANT SPARINGLY.



# MAINTENANCE

## TRACTOR

Always observe safety rules when performing any maintenance.

### BRAKE OPERATION

If tractor requires more than five (5) feet to stop at highest speed in highest gear on a level, dry concrete or paved surface, then brake must be checked and adjusted. (See "TO CHECK BRAKE" in the Service and Adjustments section of this manual).

### TIRES

- Maintain proper air pressure in all tires (See the sides of tires for proper PSI).
- Keep tires free of gasoline, oil, or insect control chemicals which can harm rubber.
- Avoid stumps, stones, deep ruts, sharp objects and other hazards that may cause tire damage.

**NOTE:** To seal tire punctures and prevent flat tires due to slow leaks, tire sealant may be purchased from your local parts dealer. Tire sealant also prevents tire dry rot and corrosion.

### OPERATOR PRESENCE SYSTEM AND REVERSE OPERATION SYSTEM (ROS) (See Fig. 14)

Ensure operator presence and reverse operation systems are working properly. If your tractor does not function as described, repair the problem immediately.

- The engine should not start unless the brake pedal is fully depressed, and the attachment clutch control is in the disengaged position.

### CHECK OPERATOR PRESENCE SYSTEM

- When the engine is running, any attempt by the operator to leave the seat without first setting the parking brake should shut off the engine.
- When the engine is running and the attachment clutch is engaged, any attempt by the operator to leave the seat should shut off the engine.
- The attachment clutch should never operate unless the operator is in the seat.

### CHECK REVERSE OPERATION (ROS) SYSTEM

- When the engine is running with the ignition switch in the engine "ON" position and the attachment clutch engaged, any attempt by the operator to shift into reverse should shut off the engine.
- When the engine is running with the ignition switch in the ROS "ON" position and the attachment clutch engaged, any attempt by the operator to shift into reverse should NOT shut off the engine.

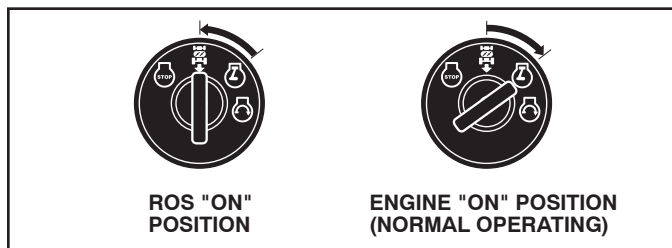


Fig. 14

## BLADE CARE

For best results mower blades must be kept sharp. Replace bent or damaged blades.



**CAUTION:** Use only a replacement blade approved by the manufacturer of your tractor. Using a blade not approved by the manufacturer of your tractor is hazardous, could damage your tractor and void your warranty.

### BLADE REMOVAL (See Fig. 15)

- Raise mower to highest position to allow access to blades.

**NOTE:** Protect your hands with gloves and/or wrap blade with heavy cloth.

- Remove blade bolt by turning counterclockwise.
- Install new or resharpened blade with stamped "THIS SIDE UP" facing deck and mandrel assembly.

**IMPORTANT:** To ensure proper assembly, center hole in blade must align with star on mandrel assembly.

- Install and tighten blade bolt securely (45-55 Ft. Lbs./ 62-75 Nm).

**IMPORTANT:** SPECIAL BLADE BOLT HEAT TREATED.

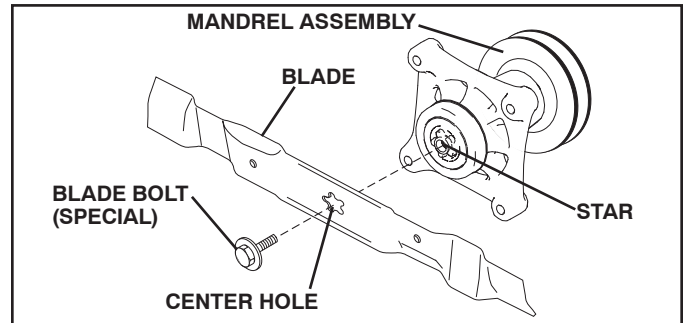


Fig. 15

## BATTERY

Your tractor has a battery charging system which is sufficient for normal use. However, periodic charging of the battery with an automotive charger will extend its life.

- Keep battery and terminals clean.
- Keep battery bolts tight.
- Keep small vent holes open.
- Recharge at 6-10 amperes for 1 hour.

**NOTE:** The original equipment battery on your tractor is maintenance free. Do not attempt to open or remove caps or covers. Adding or checking level of electrolyte is not necessary.

### TO CLEAN BATTERY AND TERMINALS

Corrosion and dirt on the battery and terminals can cause the battery to "leak" power.

- Remove terminal guard.
- Disconnect BLACK battery cable first then RED battery cable and remove battery from tractor.
- Rinse the battery with plain water and dry.
- Clean terminals and battery cable ends with wire brush until bright.
- Coat terminals with grease or petroleum jelly.
- Reinstall battery (See "REPLACING BATTERY" in the Service and Adjustments section of this manual).

# MAINTENANCE

## V-BELTS

Check V-belts for deterioration and wear after 100 hours of operation and replace if necessary. The belts are not adjustable. Replace belts if they begin to slip from wear.

## TRANSAXLE MAINTENANCE

The transaxle was sealed at the factory and fluid maintenance is not required for the life of the transaxle. Should the transaxle ever leak or require servicing, contact your nearest authorized service center/department.

## ENGINE

### LUBRICATION

Only use high quality detergent oil rated with API service classification SG-SL. Select the oil's SAE viscosity grade according to your expected operating temperature.

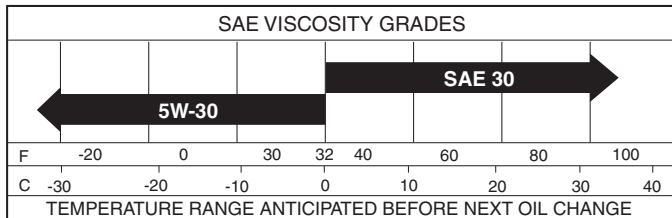


Fig. 16

**NOTE:** Although multi-viscosity oils (5W30, 10W30 etc.) improve starting in cold weather, they will result in increased oil consumption when used above 32°F/0°C. Check your engine oil level more frequently to avoid possible engine damage from running low on oil.

Change the oil after every 50 hours of operation or at least once a year if the tractor is not used for 50 hours in one year.

Check the crankcase oil level before starting the engine and after each eight (8) hours of operation. Tighten oil fill cap/dipstick securely each time you check the oil level.

### TO CHANGE ENGINE OIL (See Fig. 16 & 17)

Determine temperature range expected before oil change. All oil must meet API service classification SG-SL.

- Ensure tractor is on level surface.
- Oil will drain more freely when warm.
- Catch oil in a suitable container.
- Remove oil fill cap/dipstick. Be careful not to allow dirt to enter the engine when changing oil.
- Remove yellow cap from end of drain valve and install the drain tube onto the fitting.

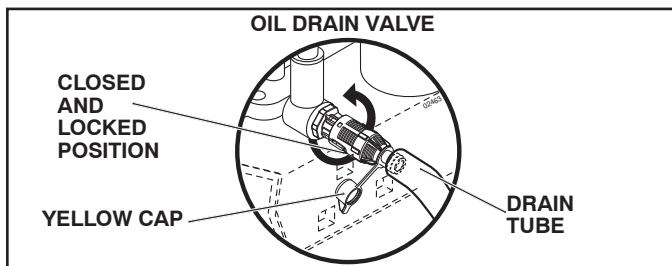


Fig. 17

- Unlock drain valve by pushing inward and turning counterclockwise.
- To open, pull out on the drain valve.
- After oil has drained completely, close and lock the drain valve by pushing inward and turning clockwise until the pin is in the locked position as shown.
- Remove the drain tube and replace the cap onto to the bottom fitting of the drain valve.
- Refill engine with oil through oil fill dipstick tube. Pour slowly. Do not overfill. For approximate capacity see "PRODUCT SPECIFICATIONS" section of this manual.
- Use gauge on oil fill cap/dipstick for checking level. Ensure dipstick cap is tightened securely for accurate reading. Keep oil at "FULL" line on dipstick. Tighten cap onto the tube securely when finished.

### ENGINE OIL FILTER

Replace the engine oil filter every season or every other oil change if the tractor is used more than 100 hours in one year.

### AIR FILTER

Your engine will not run properly using a dirty air filter. Service air cleaner more often under dusty conditions.

### CLEAN AIR SCREEN

Air screen must be kept free of dirt and chaff to prevent engine damage from overheating. Clean with a wire brush or compressed air to remove dirt and stubborn dried gum fibers.

### ENGINE COOLING SYSTEM

To ensure proper cooling, ensure the grass screen, cooling fins, and other external surfaces of the engine are kept clean at all times.

Every 100 hours of operation (more often under extremely dusty, dirty conditions), remove the blower housing and other cooling shrouds. Clean the cooling fins and external surfaces as necessary. Ensure the cooling shrouds are reinstalled.

**NOTE:** Operating the engine with a blocked grass screen, dirty or plugged cooling fins, and/or cooling shrouds removed will cause engine damage due to overheating.

### SPARK PLUGS

Replace spark plugs at the beginning of each mowing season or after every 100 hours of operation, whichever occurs first. Spark plug type and gap setting are shown in "PRODUCT SPECIFICATIONS" section of this manual.

### MUFFLER

Inspect and replace corroded muffler and spark arrester (if equipped) as it could create a fire hazard and/or damage.

# MAINTENANCE

## IN-LINE FUEL FILTER (See Fig. 18)

The fuel filter should be replaced once each season. If fuel filter becomes clogged, obstructing fuel flow to carburetor, replacement is required.

- With engine cool, remove filter and plug fuel line sections.
- Place new fuel filter in position in fuel line with arrow pointing towards carburetor.
- Ensure there are no fuel line leaks and clamps are properly positioned.
- Immediately wipe up any spilled gasoline.

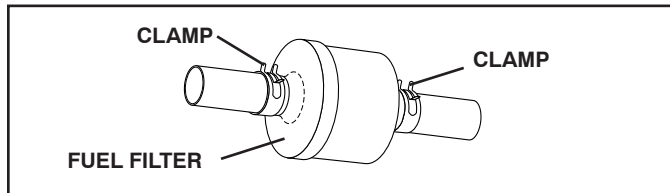


Fig. 18

## CLEANING

- Clean engine, battery, seat, finish, etc. of all foreign matter.
- Clean debris from steering plate. Debris can restrict clutch/brake pedal shaft movement, causing belt slip and loss of drive.

**CAUTION:** Avoid all pinch points and movable parts (See Fig. 19)

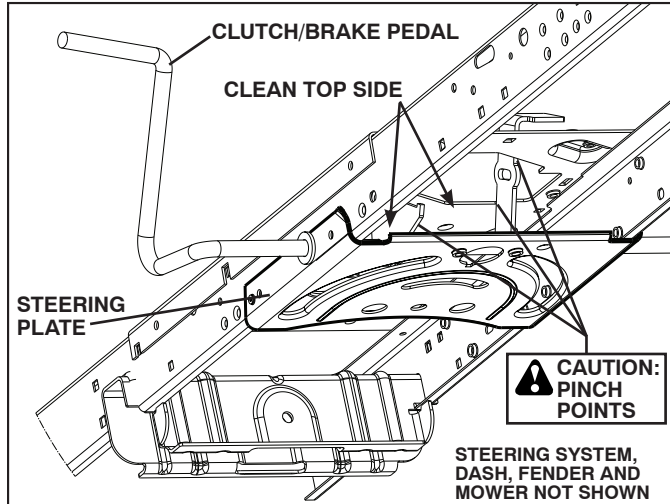


Fig. 19

- Keep finished surfaces and wheels free of all gasoline, oil, etc.
- Protect painted surfaces with automotive type wax.

We do not recommend using a garden hose or pressure washer to clean your tractor unless the engine and transmission are covered to keep water out. Water in engine or transmission will shorten the useful life of your tractor. Use compressed air or a leaf blower to remove grass, leaves and trash from tractor and mower.

## DECK WASHOUT PORT (See Fig. 20)

Your tractor's deck is equipped with a washout port on its surface as part of its deck wash system. It should be utilized after each use.

1. Drive the tractor to a level, clear spot on your lawn, near enough to a water spigot for your garden hose to reach.

**IMPORTANT:** Make certain the tractor's discharge chute is directed AWAY from your house, garage, parked cars, etc. Remove bagger chute or mulch cover if attached.

2. Ensure the attachment clutch control is in the "DISENGAGED" position, set the parking brake, and stop the engine.
3. Thread the nozzle adapter (packaged with your tractor's Operator's Manual) onto the end of your garden hose.
4. Pull back the lock collar of the nozzle adapter and push the adapter onto the deck washout port at the left end of the mower deck. Release the lock collar to lock the adapter on the nozzle.

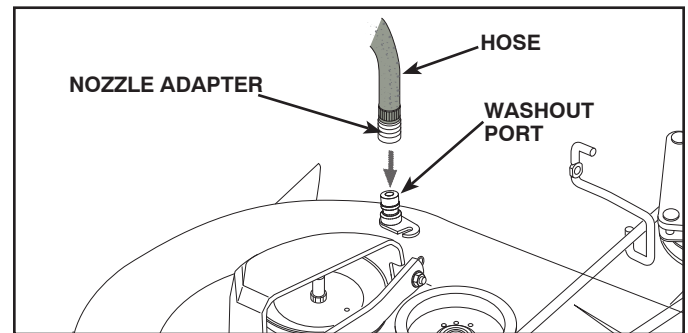


Fig. 20

**IMPORTANT:** Tug hose ensuring connection is secure.

5. Turn the water on.
6. While sitting in the operator's position on the tractor, re-start the engine and place the throttle lever in the Fast "F" position.

**IMPORTANT:** Recheck the area making certain the area is clear.

7. Move the tractor's attachment clutch control to the "ENGAGED" position. Remain in the operator's position with the cutting deck engaged until the deck is cleaned.
8. Move the tractor's attachment clutch control to the "DISENGAGED" position. Turn the ignition key to the STOP position to turn the tractor's engine off. Turn the water off.
9. Pull back the lock collar of the nozzle adapter to disconnect the adapter from the nozzle washout port.
10. Move the tractor to a dry area, preferably a concrete or paved area. Place the attachment clutch control in the "ENGAGED" position to remove excess water and to help dry before putting the tractor away.

**WARNING:** A broken or missing washout fitting could expose you or others to thrown objects from contact with the blade.

- Replace broken or missing washout fitting immediately, prior to using mower again.
- Plug any holes in mower with bolts and locknuts.

# SERVICE AND ADJUSTMENTS



**WARNING: TO AVOID SERIOUS INJURY, BEFORE PERFORMING ANY SERVICE OR ADJUSTMENTS:**

- Depress brake pedal fully and set parking brake.
- Place attachment clutch in “DISENGAGED” position.
- Turn ignition key to “STOP” and remove key.
- Ensure the blades and all moving parts have completely stopped.
- Disconnect spark plug wire from spark plug and place wire where it cannot come in contact with plug.

## TO REMOVE MOWER (See Fig. 21)

- Place attachment clutch in “DISENGAGED” position.
- Lower attachment lift lever to its lowest position.
- Roll belt off engine pulley (M) and belt keepers (G).
- Remove retainer spring (K), slide collar (L) off and push housing guide (P) out of bracket.
- Remove clutch cable spring (Q) from idler arm (R).
- Disconnect front link (E) from mower - remove retainer spring and washer.
- Go to either side of mower and disconnect mower suspension arm (A) from chassis pin (B) and rear lift link (C) from rear mower bracket (D) - remove retainer springs and washers.



**CAUTION: AFTER REAR LIFT LINKS ARE DISCONNECTED, THE ATTACHMENT LIFT LEVER WILL BE SPRING LOADED. HAVE A TIGHT GRIP ON LIFT LEVER WHEN CHANGING POSITION OF THE LEVER.**

- Slide mower out from under right side of tractor.

**IMPORTANT: IF AN ATTACHMENT OTHER THAN THE MOWER IS TO BE MOUNTED ON THE TRACTOR, REMOVE THE FRONT LINK (E) AND REAR LIFT LINKS (C) FROM TRACTOR AND HOOK THE CLUTCH SPRING (Q) INTO THE CABLE GUIDE ON FRONT EDGE OF LOWER DASH.**

## TO INSTALL MOWER (See Fig. 21-26)

Ensure tractor is on level surface and engage parking brake.

- Lower attachment lift lever to its lowest position.



**CAUTION: LIFT LEVER IS SPRING LOADED. HAVE A TIGHT GRIP ON LIFT LEVER, LOWER IT SLOWLY AND ENGAGE IN LOWEST POSITION.**

**NOTE:** Ensure mower side suspension arms (A) are pointing forward before sliding mower under tractor.

- Slide mower under tractor until it is centered under tractor.

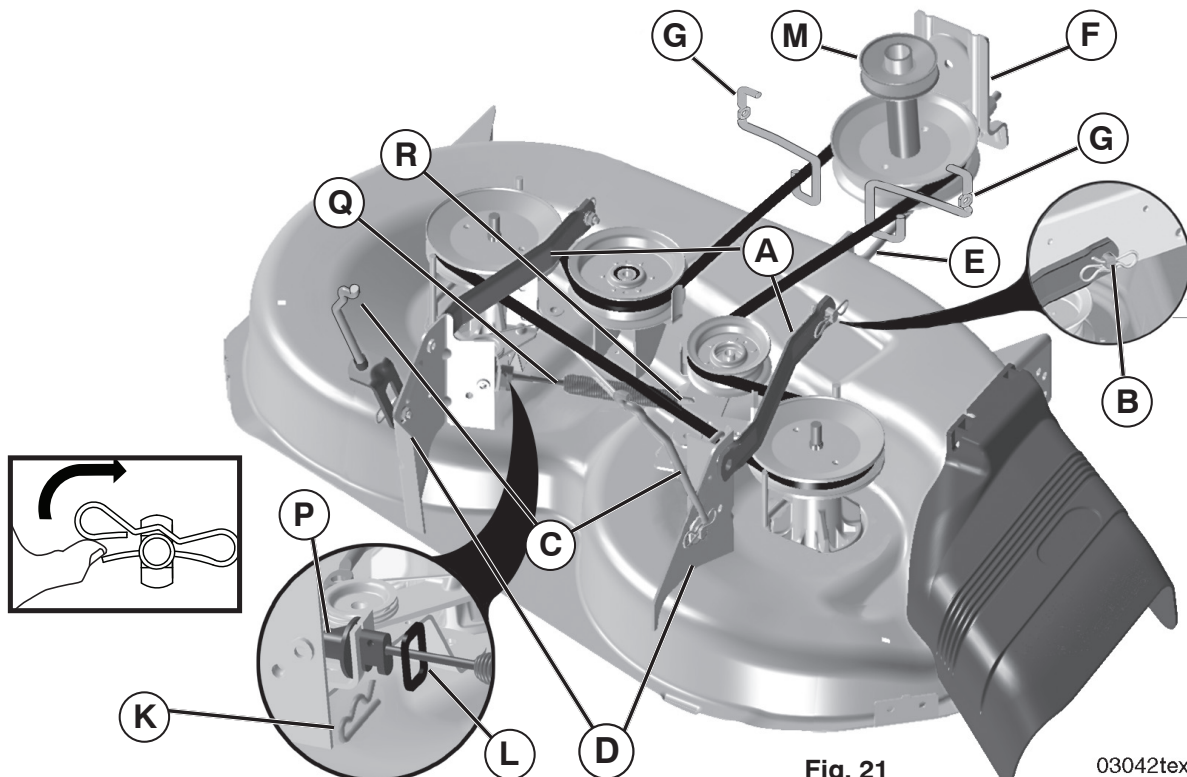


Fig. 21

03042tex



# SERVICE AND ADJUSTMENTS

- ATTACH MOWER SIDE SUSPENSION ARMS (A) TO CHASSIS - Position hole in arm over pin (B) on outside of tractor chassis and secure with retainer spring.
- Repeat on opposite side of tractor.

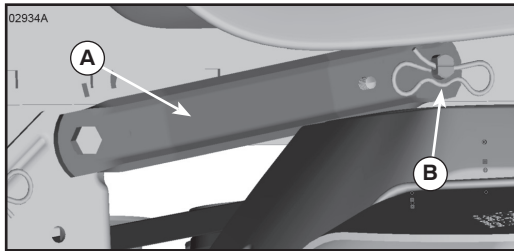


Fig. 22

- ATTACH REAR LIFT LINKS (C) - Lift rear corner of mower and position slot in link assembly over pin (D) on rear mower bracket and secure with washer and retainer spring.

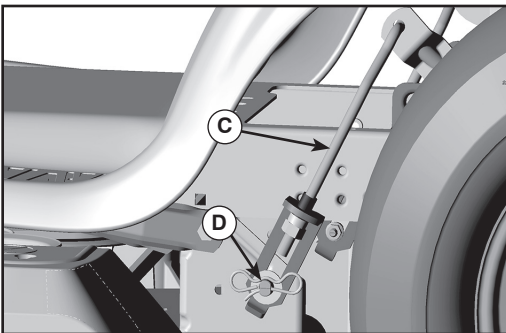


Fig. 23

- ATTACH FRONT LINK (E) - Work from left side of tractor. Insert rod end of link assembly through front hole in tractor front suspension bracket (F).

- Insert end of link (E) into hole in front mower bracket and secure with washer and retainer spring (J).

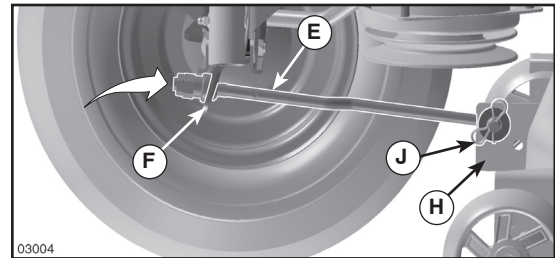


Fig. 24

- Hook end of clutch cable spring (Q) into hole in idler arm (R).
- Push clutch cable housing guide (P) into bracket, slide slide collar (L) onto guide and secure with retainer spring (K).
- Install belt on engine pulley (M), in belt keepers (G).

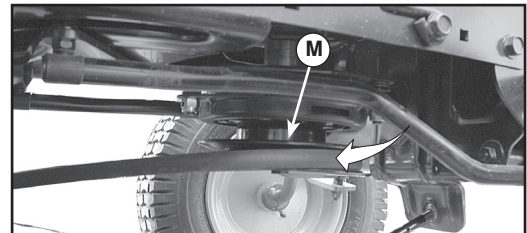


Fig. 25

**IMPORTANT:** CHECK BELT FOR PROPER ROUTING IN ALL MOWER PULLEY GROOVES.

- Raise attachment lift lever to highest position.
- If necessary, adjust gauge wheels before operating mower as shown in the Operation section of this manual.

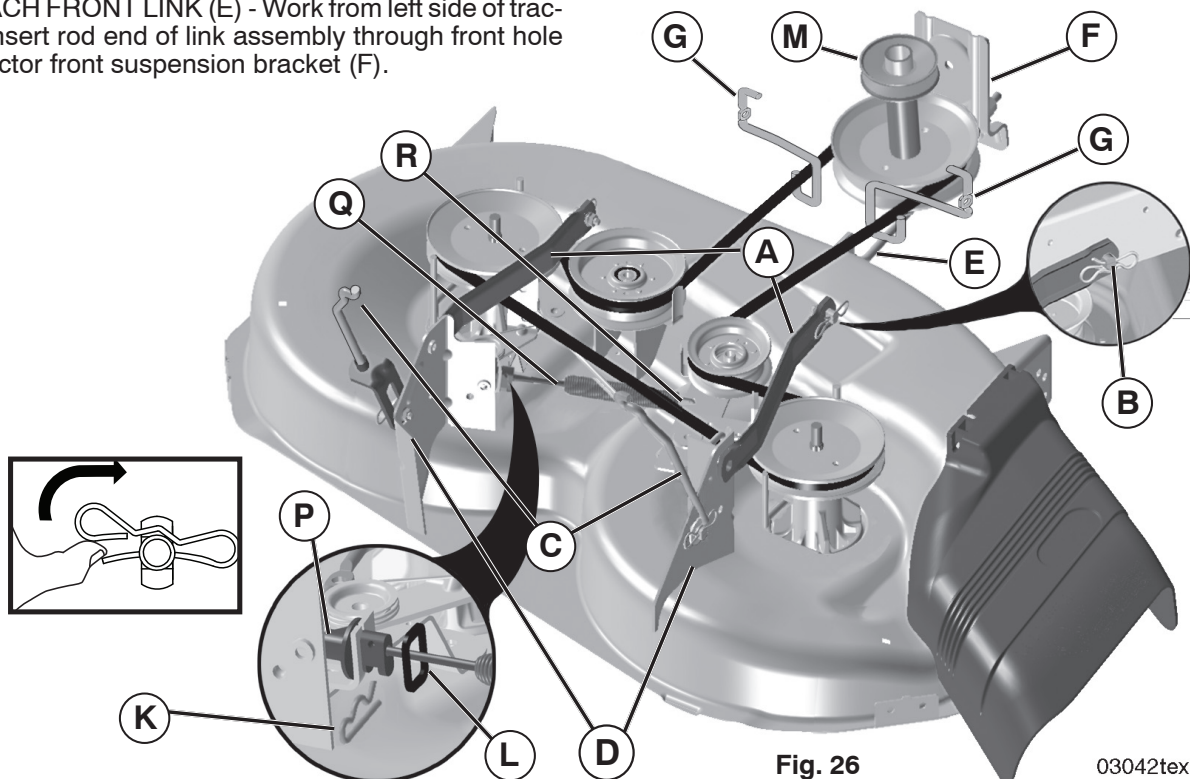


Fig. 26

03042tex

# SERVICE AND ADJUSTMENTS

## TO LEVEL MOWER

Ensure tires are properly inflated to the PSI shown on tires. If tires are over or under inflated, it may affect the appearance of your lawn and lead you to think the mower is not adjusted properly.

### VISUAL SIDE-TO-SIDE ADJUSTMENT (See Fig. 27)

- With all tires properly inflated and if your lawn appears unevenly cut, determine which side of mower is cutting lower.
- With a 3/4" or adjustable wrench, turn lift link adjustment nut (A) to the left to lower LH side of mower, or, to the right to raise LH side of mower.

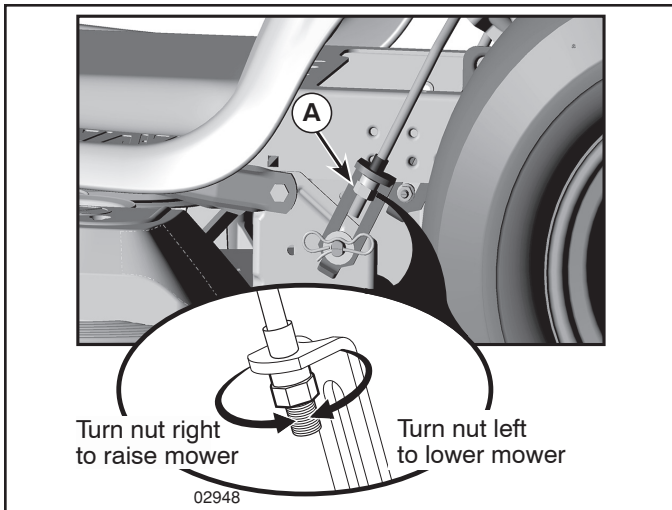


Fig. 27

**NOTE:** Each full turn of adjustment nut will change mower height about 3/16".

- Test your adjustment by mowing some uncut grass and visually checking the appearance. Readjust, if necessary, until you are satisfied with the results.

### PRECISION SIDE-TO-SIDE ADJUSTMENT (See Fig. 28)

- With all tires properly inflated, park tractor on level ground or driveway.



**CAUTION: Blades are sharp. Protect your hands with gloves and/or wrap blade with heavy cloth.**

- Raise mower to its highest position.
- At both sides of mower, position blade at side and measure the distance (A) from bottom edge of blade to the ground. The distance should be the same on both sides.

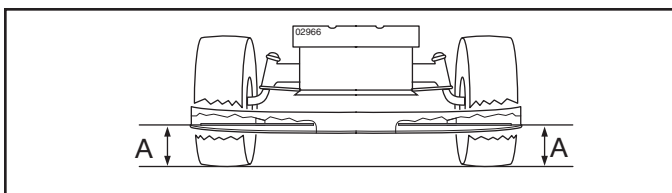


Fig. 28

- If adjustment is necessary, see step in Visual Adjustment instructions above.
- Recheck measurements, adjust if necessary until both sides are equal.

### FRONT-TO-BACK ADJUSTMENT (See Figs. 29 & 30)

**IMPORTANT:** Deck must be level side-to-side.

To obtain the best cutting results, the mower blades should be adjusted so the front tip is 1/8" to 1/2" lower than the rear tip when the mower is in its highest position.



**CAUTION: Blades are sharp. Protect your hands with gloves and/or wrap blade with heavy cloth.**

- Raise mower to highest position.
- Position blade so the tip is pointing straight forward. Measure distance (B) to the ground at front and rear tip of the blade.

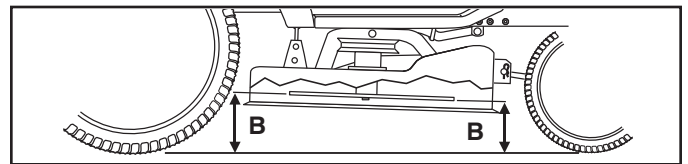


Fig. 29

- If front tip of blade is not 1/8" to 1/2" lower than the rear tip, go to the front of tractor.
- With an 11/16" or adjustable wrench, loosen jam nut A several turns to clear adjustment nut B.
- With a 3/4" or adjustable wrench, turn front link adjustment nut (B) clockwise (tighten) to raise the front of mower, or, counterclockwise (loosen) to lower the front mower.

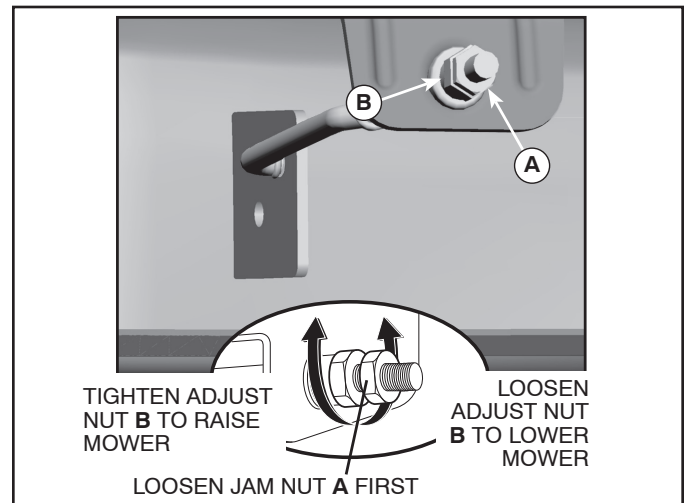


Fig. 30

**NOTE:** Each full turn of the adjustment nut will change mower height about 1/8".

- Recheck measurements, adjust if necessary until front tip of blade is 1/8" to 1/2" lower than the rear tip.
- Hold adjustment nut in position with wrench and tighten jam nut securely against adjustment nut.



# SERVICE AND ADJUSTMENTS

## TO REPLACE MOWER BLADE DRIVE BELT (See Fig. 31)

The mower blade drive belt may be replaced without tools. Park the tractor on level surface. Engage parking brake.

### BELT REMOVAL -

- Remove mower from tractor (See "TO REMOVE MOWER" in this section of manual).
- Work belt off both mandrel pulleys and idler pulleys.
- Pull belt away from mower.

### BELT INSTALLATION -

- Work belt around both mandrel pulleys and idler pulleys.
- Ensure belt is in all pulley grooves and inside all belt guides.
- Install mower (See "TO INSTALL MOWER" in this section of manual).

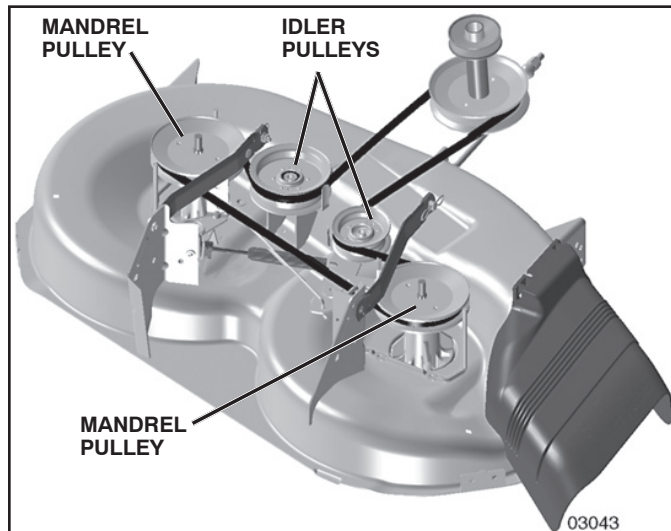


Fig. 31

## TO CHECK BRAKE

If tractor requires more than five (5) feet to stop at highest speed in highest gear on a level, dry concrete or paved surface, then brake must be serviced.

You may also check brake by:

- Park tractor on a level, dry concrete or paved surface, depress brake pedal all the way down and engage parking brake.
- Disengage transmission by placing freewheel control in "transmission disengaged" position. Pull freewheel control out and into the slot and release so it is held in the disengaged position.

The rear wheels must lock and skid when you try to manually push the tractor forward. If the rear wheels rotate, then the brake needs to be serviced. Contact a qualified service center.

## TO REPLACE MOTION DRIVE BELT (See Fig. 32)

Park the tractor on level surface. Engage parking brake. For assistance, there is a belt installation guide decal on bottom side of left footrest.

### BELT REMOVAL -

1. Remove mower. (See "TO REMOVE MOWER" section in this manual.)

**NOTE:** Observe entire motion drive belt and position of all belt guides and keepers.

2. Remove belt from stationary idler (A) and clutching idler (B).
3. Remove belt from centerspan idler (C).
4. Pull belt slack toward rear of tractor. Remove belt upwards from transaxle input pulley (D).
5. Remove belt downward from engine pulley (E).
6. Slide belt toward rear of tractor, off the steering plate (F) and remove from tractor.

### BELT INSTALLATION -

1. Install new belt from tractor rear to front, over the steering plate (F) and above clutch brake pedal shaft (G).
2. Pull belt toward front of tractor and roll belt onto engine pulley (E).
3. Pull belt toward rear of tractor. Carefully work belt down around transaxle input pulley (D). Ensure belt is inside the belt keeper.
4. Install belt on centerspan idler (C).
5. Install belt through stationary idler (A) and clutching idler (B).
6. Ensure belt is in all pulley grooves and inside all belt guides and keepers.
7. Install mower. (See "TO INSTALL MOWER" section in this manual.)

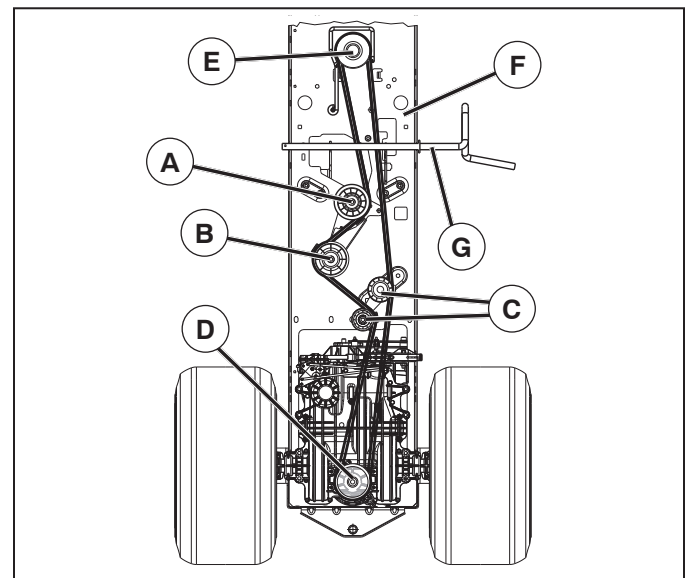


Fig. 32

# SERVICE AND ADJUSTMENTS

## TO REMOVE WHEEL (See Fig. 33)

- Block up axle securely.
- Remove axle cover, retaining ring and washers to allow wheel removal (rear wheel contains a square key - Do not lose).
- Repair tire and reassemble.
- On rear wheels only: align grooves in rear wheel hub and axle. Insert square key.
- Replace washers and snap retaining ring securely in axle groove.
- Replace axle cover.

**NOTE:** To seal tire punctures and prevent flat tires due to slow leaks, tire sealant may be purchased from your local parts dealer. Tire sealant also prevents tire dry rot and corrosion.

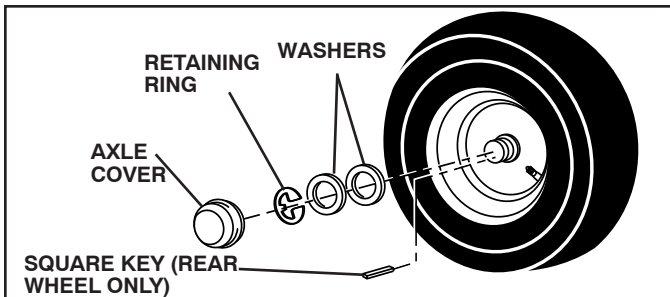


Fig. 33

## FRONT WHEEL TOE-IN/CAMBER

Your new tractor front wheel toe-in and camber is set at the factory and is normal. The front wheel toe-in and camber are not adjustable. If damage has occurred to affect the factory set front wheel toe-in or camber, contact a qualified service center.

## TO START ENGINE WITH A WEAK BATTERY (See Fig. 34)



**WARNING:** Lead-acid batteries generate explosive gases. Keep sparks, flame and smoking materials away from batteries. Always wear eye protection when around batteries.

If your battery is too weak to start the engine, it should be recharged. (See "BATTERY" in the MAINTENANCE section of this manual).

If "jumper cables" are used for emergency starting, follow this procedure:

**IMPORTANT:** YOUR TRACTOR IS EQUIPPED WITH A 12 VOLT SYSTEM. THE OTHER VEHICLE MUST ALSO BE A 12 VOLT SYSTEM. DO NOT USE YOUR TRACTOR BATTERY TO START OTHER VEHICLES.

## TO ATTACH JUMPER CABLES -

- Connect one end of the RED cable to the POSITIVE (+) terminal of each battery (A-B), taking care not to short against tractor chassis.
- Connect one end of the BLACK cable to the NEGATIVE (-) terminal (C) of fully charged battery.
- Connect the other end of the BLACK cable (D) to good chassis ground, away from fuel tank and battery.

## TO REMOVE CABLES, REVERSE ORDER -

- BLACK cable first from chassis and then from the fully charged battery.
- RED cable last from both batteries.

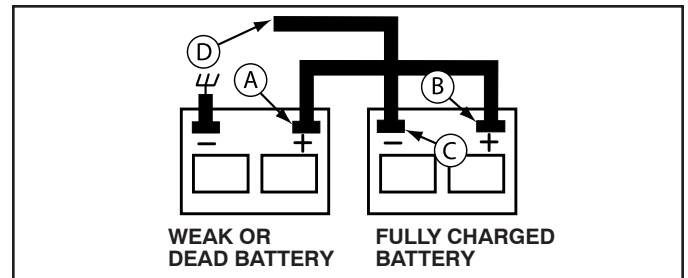


Fig. 34

## REPLACING BATTERY (See Fig. 35)



**WARNING:** Do not short battery terminals by allowing a wrench or any other object to contact both terminals at the same time. Before connecting battery, remove metal bracelets, wristwatch bands, rings, etc. Positive terminal must be connected first to prevent sparking from accidental grounding.

- Lift hood to raised position.
- Remove terminal cover.
- Disconnect BLACK battery cable then RED battery cable and carefully remove battery from tractor.
- Install new battery with terminals in same position as old battery.
- Reinstall terminal cover.
- First connect RED battery cable to positive (+) battery terminal with bolt and nut as shown. Tighten securely.
- Connect BLACK grounding cable to negative (-) battery terminal with remaining bolt and nut. Tighten securely.
- Close hood.

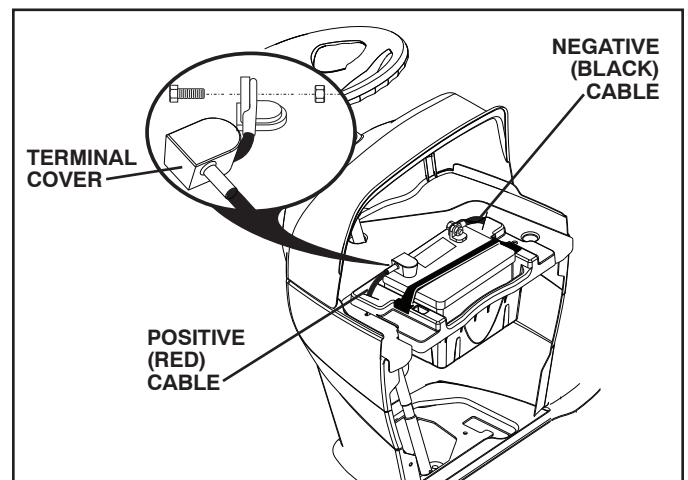


Fig. 35

---

# SERVICE AND ADJUSTMENTS

---

## TO REPLACE HEADLIGHT BULB

- Raise hood.
- Pull bulb holder out of the hole in the backside of the grill.
- Replace bulb in holder and push bulb holder securely back into the hole in the backside of the grill.
- Close hood.

## INTERLOCKS AND RELAYS

Loose or damaged wiring may cause your tractor to run poorly, stop running, or prevent it from starting.

- Check wiring.

## TO REPLACE FUSE

Replace with 20 amp automotive-type plug-in fuse. The fuse holder is located behind the dash.

## TO REMOVE HOOD AND GRILL ASSEMBLY (See Fig. 36)

- Raise hood.
- Unsnap headlight wire connector.
- Stand in front of tractor. Grasp hood at sides, tilt toward engine and lift off of tractor.
- To replace, reverse above procedure.

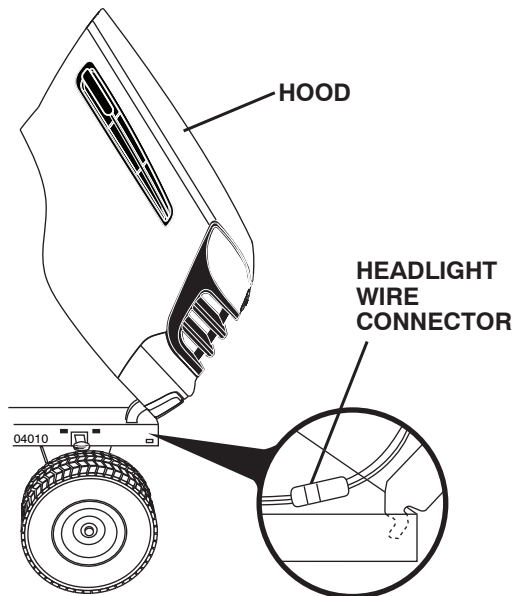


Fig. 36

## ENGINE

### TO ADJUST THROTTLE CONTROL CABLE

The throttle control has been preset at the factory and adjustment should not be necessary. If adjustment is necessary, see engine manual.

### TO ADJUST CHOKE CONTROL

The choke control has been preset at the factory and adjustment should not be necessary. If adjustment is necessary, see engine manual.

### TO ADJUST CARBURETOR

Your carburetor is not adjustable. If your engine does not operate properly due to suspected carburetor problems, take your tractor to an authorized service center for repair and/or adjustment.

# STORAGE

Immediately prepare your tractor for storage at the end of the season or if the tractor will not be used for 30 days or more.



**WARNING: Never store the tractor with gasoline in the tank inside a building where fumes may reach an open flame or spark. Allow the engine to cool before storing in any enclosure.**

## TRACTOR

Remove mower from tractor for winter storage. When mower is to be stored for a period of time, clean it thoroughly, remove all dirt, grease, leaves, etc. Store in a clean, dry area.

- Clean entire tractor (See “CLEANING” in the Maintenance section of this manual).
- Inspect and replace belts, if necessary (See belt replacement instructions in the Service and Adjustments section of this manual).
- Lubricate as shown in the Maintenance section of this manual.
- Ensure that all nuts, bolts and screws are securely fastened. Inspect moving parts for damage, breakage and wear. Replace if necessary.
- Touch up all rusted or chipped paint surfaces; sand lightly before painting.

## BATTERY

- Fully charge the battery for storage.
- After a period of time in storage, battery may require recharging.
- To help prevent corrosion and power leakage during long periods of storage, battery cables should be disconnected and battery cleaned thoroughly (see “TO CLEAN BATTERY AND TERMINALS” in the Maintenance section of this manual).
- After cleaning, leave cables disconnected and place cables where they cannot come in contact with battery terminals.
- If battery is removed from tractor for storage, do not store battery directly on concrete or damp surfaces.

## ENGINE

### FUEL SYSTEM

**IMPORTANT:** IT IS IMPORTANT TO PREVENT GUM DEPOSITS FROM FORMING IN ESSENTIAL FUEL SYSTEM PARTS SUCH AS CARBURETOR, FUEL FILTER, FUEL HOSE, OR TANK DURING STORAGE. ALSO, EXPERIENCE INDICATES THAT ALCOHOL BLENDED FUELS (CALLED GASOHOL OR USING ETHANOL OR METHANOL) CAN ATTRACT MOISTURE WHICH LEADS TO SEPARATION AND FORMATION OF ACIDS DURING STORAGE. ACIDIC GAS CAN DAMAGE THE FUEL SYSTEM OF AN ENGINE WHILE IN STORAGE.

- Empty the fuel tank by starting the engine and let it run until the fuel lines and carburetor are empty.
- Never use engine or carburetor cleaner products in the fuel tank or permanent damage may occur.
- Use fresh fuel next season.

**NOTE:** Fuel stabilizer is an acceptable alternative in minimizing the formation of fuel gum deposits during storage. Add stabilizer to gasoline in fuel tank or storage container. Always follow the mix ratio found on stabilizer container. Run engine at least 10 minutes after adding stabilizer to allow the stabilizer to reach the carburetor. Do not empty the gas tank and carburetor if using fuel stabilizer.

### ENGINE OIL

Drain oil (with engine warm) and replace with clean engine oil. (See “ENGINE” in the Maintenance section of this manual).

### CYLINDER(S)

- Remove spark plug(s).
- Pour one ounce of oil through spark plug hole(s) into cylinder(s).
- Turn ignition key to “START” position for a few seconds to distribute oil.
- Replace with new spark plug(s).

## OTHER

- Do not store gasoline from one season to another.
- Replace your gasoline can if your can starts to rust. Rust and/or dirt in your gasoline will cause problems.
- If possible, store your tractor indoors and cover it to give protection from dust and dirt.
- Cover your tractor with a suitable protective cover that does not retain moisture. Do not use plastic. Plastic cannot breathe which allows condensation to form and will cause your tractor to rust.

**IMPORTANT:** NEVER COVER TRACTOR WHILE ENGINE AND EXHAUST AREAS ARE STILL WARM.

# TROUBLESHOOTING

PROBLEM	CAUSE	CORRECTION
<b>Will not start</b>	<ol style="list-style-type: none"> <li>1. Out of fuel.</li> <li>2. Engine not "CHOKED" properly.</li> <li>3. Engine flooded.</li> <li>4. Bad spark plug.</li> <li>5. Dirty air filter.</li> <li>6. Dirty fuel filter.</li> <li>7. Water in fuel.</li>   <li>8. Loose or damaged wiring.</li> <li>9. Carburetor out of adjustment.</li>   <li>10. Engine valves out of adjustment.</li> </ol>	<ol style="list-style-type: none"> <li>1. Fill fuel tank.</li> <li>2. See "TO START ENGINE" in Operation section.</li> <li>3. Wait several minutes before attempting to start.</li> <li>4. Replace spark plug.</li> <li>5. Clean/replace air filter.</li> <li>6. Replace fuel filter.</li> <li>7. Empty fuel tank and carburetor, refill tank with fresh gasoline and replace fuel filter.</li> <li>8. Check all wiring.</li> <li>9. See "To Adjust Carburetor" in Service Adjustments section.</li> <li>10. Contact an authorized service center/department.</li> </ol>
<b>Hard to start</b>	<ol style="list-style-type: none"> <li>1. Dirty air filter.</li> <li>2. Bad spark plug.</li> <li>3. Weak or dead battery.</li> <li>4. Dirty fuel filter.</li> <li>5. Stale or dirty fuel.</li> <li>6. Loose or damaged wiring.</li> <li>7. Carburetor out of adjustment.</li>   <li>8. Engine valves out of adjustment.</li> </ol>	<ol style="list-style-type: none"> <li>1. Clean/replace air filter.</li> <li>2. Replace spark plug.</li> <li>3. Recharge or replace battery.</li> <li>4. Replace fuel filter.</li> <li>5. Empty fuel tank and refill tank with fresh, clean gas.</li> <li>6. Check all wiring.</li> <li>7. See "To Adjust Carburetor" in Service Adjustments section.</li> <li>8. Contact an authorized service center/department.</li> </ol>
<b>Engine will not turn over</b>	<ol style="list-style-type: none"> <li>1. Brake pedal not depressed.</li> <li>2. Attachment clutch is engaged.</li> <li>3. Weak or dead battery.</li> <li>4. Blown fuse.</li> <li>5. Corroded battery terminals.</li> <li>6. Loose or damaged wiring.</li> <li>7. Faulty ignition switch.</li> <li>8. Faulty solenoid or starter.</li> <li>9. Faulty operator presence switch(es).</li> </ol>	<ol style="list-style-type: none"> <li>1. Depress brake pedal.</li> <li>2. Disengage attachment clutch.</li> <li>3. Recharge or replace battery.</li> <li>4. Replace fuse.</li> <li>5. Clean battery terminals.</li> <li>6. Check all wiring.</li> <li>7. Check/replace ignition switch.</li> <li>8. Check/replace solenoid or starter.</li> <li>9. Contact an authorized service center/department.</li> </ol>
<b>Engine clicks but will not start</b>	<ol style="list-style-type: none"> <li>1. Weak or dead battery.</li> <li>2. Corroded battery terminals.</li> <li>3. Loose or damaged wiring.</li> <li>4. Faulty solenoid or starter.</li> </ol>	<ol style="list-style-type: none"> <li>1. Recharge or replace battery.</li> <li>2. Clean battery terminals.</li> <li>3. Check all wiring.</li> <li>4. Check/replace solenoid or starter.</li> </ol>
<b>Loss of power</b>	<ol style="list-style-type: none"> <li>1. Cutting too much grass/too fast.</li> <li>2. Throttle in "CHOKE" position.</li> <li>3. Build-up of grass, leaves, trash under mower.</li> <li>4. Dirty air filter.</li> <li>5. Low oil level/dirty oil.</li> <li>6. Faulty spark plug.</li> <li>7. Dirty fuel filter.</li> <li>8. Stale or dirty fuel.</li> <li>9. Water in fuel.</li>   <li>10. Spark plug wire loose.</li> <li>11. Dirty engine air screen/fins.</li> <li>12. Dirty/clogged muffler.</li> <li>13. Loose or damaged wiring.</li> <li>14. Carburetor out of adjustment.</li> <li>15. Engine valves out of adjustment.</li> </ol>	<ol style="list-style-type: none"> <li>1. Raise cutting height/reduce speed.</li> <li>2. Adjust throttle control.</li> <li>3. Clean underside of mower housing.</li> <li>4. Clean/replace air filter.</li> <li>5. Check oil level/change oil.</li> <li>6. Clean and regap or change spark plug.</li> <li>7. Replace fuel filter.</li> <li>8. Empty fuel tank and refill tank with fresh, clean gas.</li> <li>9. Empty fuel tank and carburetor, refill tank with fresh gasoline and replace fuel filter.</li> <li>10. Connect and tighten spark plug wire.</li> <li>11. Clean engine air screen/fins.</li> <li>12. Clean/replace muffler.</li> <li>13. Check all wiring.</li> <li>14. See "To Adjust Carburetor" in Service Adjustments section.</li> <li>15. Contact an authorized service center/department.</li> </ol>
<b>Excessive vibration</b>	<ol style="list-style-type: none"> <li>1. Worn, bent or loose blade.</li> <li>2. Bent blade mandrel.</li> <li>3. Loose/damaged part(s).</li> </ol>	<ol style="list-style-type: none"> <li>1. Replace blade. Tighten blade bolt.</li> <li>2. Replace blade mandrel.</li> <li>3. Tighten loose part(s). Replace damaged parts.</li> </ol>

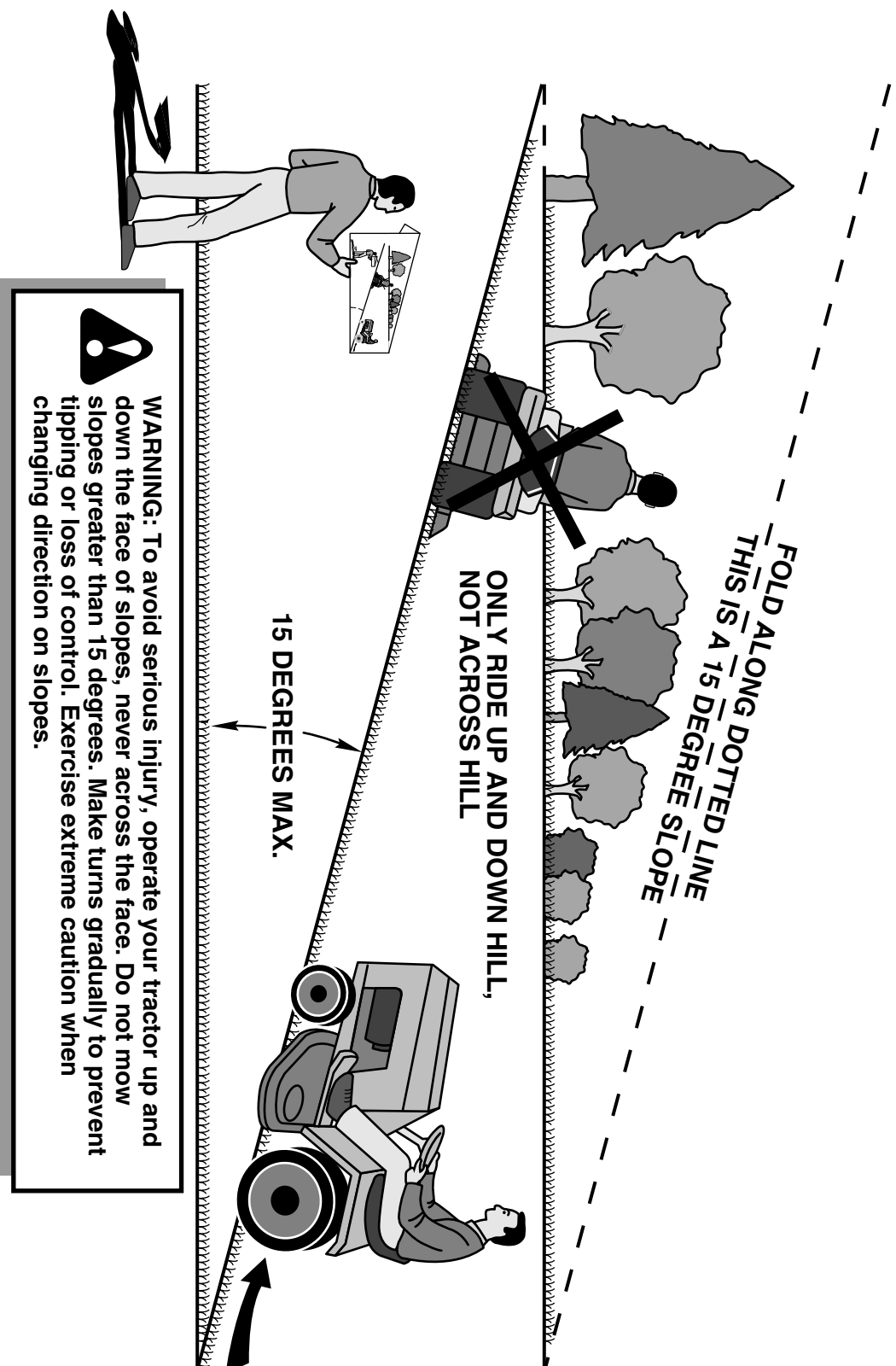


# TROUBLESHOOTING

PROBLEM	CAUSE	CORRECTION
<b>Engine continues to run when operator leaves seat with attachment clutch engaged</b>	<ol style="list-style-type: none"> <li>1. Faulty operator-safety presence control system.</li> </ol>	<ol style="list-style-type: none"> <li>1. Check wiring, switches and connections. If not corrected, contact an authorized service center/department.</li> </ol>
<b>Poor cut - uneven</b>	<ol style="list-style-type: none"> <li>1. Worn, bent or loose blade.</li> <li>2. Mower deck not level.</li> <li>3. Buildup of grass, leaves, trash under mower.</li> <li>4. Bent blade mandrel.</li> <li>5. Clogged mower deck vent holes from buildup of grass, leaves, and trash around mandrels.</li> </ol>	<ol style="list-style-type: none"> <li>1. Replace blade. Tighten blade bolt.</li> <li>2. Level mower deck.</li> <li>3. Clean underside of mower housing.</li> <li>4. Replace blade mandrel.</li> <li>5. Clean around mandrels to open vent holes.</li> </ol>
<b>Mower blades will not rotate</b>	<ol style="list-style-type: none"> <li>1. Obstruction in clutch mechanism.</li> <li>2. Worn/damaged mower drive belt.</li> <li>3. Frozen idler pulley.</li> <li>4. Frozen blade mandrel.</li> </ol>	<ol style="list-style-type: none"> <li>1. Remove obstruction.</li> <li>2. Replace mower drive belt.</li> <li>3. Replace idler pulley.</li> <li>4. Replace blade mandrel.</li> </ol>
<b>Poor grass discharge</b>	<ol style="list-style-type: none"> <li>1. Engine speed too slow.</li> <li>2. Travel speed too fast.</li> <li>3. Wet grass.</li> <li>4. Mower deck not level.</li> <li>5. Low/uneven tire air pressure.</li> <li>6. Worn, bent or loose blade.</li> <li>7. Buildup of grass, leaves, trash under mower.</li> <li>8. Mower drive belt worn.</li> <li>9. Blades improperly installed.</li> <li>10. Improper blades used.</li> <li>11. Clogged mower deck vent holes from buildup of grass, leaves, trash around mandrels.</li> </ol>	<ol style="list-style-type: none"> <li>1. Place throttle control in "FAST" position.</li> <li>2. Shift to slower speed.</li> <li>3. Allow grass to dry before mowing.</li> <li>4. Level mower deck.</li> <li>5. Check tires for proper air pressure.</li> <li>6. Replace blade. Tighten blade bolt.</li> <li>7. Clean underside of mower housing.</li> <li>8. Replace mower drive belt.</li> <li>9. Reinstall blades sharp edge down.</li> <li>10. Replace with blades listed in parts manual.</li> <li>11. Clean around mandrels to open vent holes.</li> </ol>
<b>Headlight(s) not working (if so equipped)</b>	<ol style="list-style-type: none"> <li>1. Switch is "OFF".</li> <li>2. Bulb(s) or lamp(s) burned out.</li> <li>3. Faulty light switch.</li> <li>4. Loose or damaged wiring.</li> <li>5. Blown fuse.</li> </ol>	<ol style="list-style-type: none"> <li>1. Turn switch "ON".</li> <li>2. Replace bulb(s) or lamp(s).</li> <li>3. Check/replace light switch.</li> <li>4. Check wiring and connections.</li> <li>5. Replace fuse.</li> </ol>
<b>Battery will not charge</b>	<ol style="list-style-type: none"> <li>1. Bad battery cell(s).</li> <li>2. Poor cable connections.</li> <li>3. Faulty regulator (if so equipped).</li> <li>4. Faulty alternator.</li> </ol>	<ol style="list-style-type: none"> <li>1. Replace battery.</li> <li>2. Check/clean all connections.</li> <li>3. Replace regulator.</li> <li>4. Replace alternator.</li> </ol>
<b>Loss of drive</b>	<ol style="list-style-type: none"> <li>1. Freewheel control in "disengaged" position.</li> <li>2. Debris on steering plate (if equipped).</li> <li>3. Motion drive belt worn, damaged, or broken.</li> <li>4. Axle key missing.</li> </ol>	<ol style="list-style-type: none"> <li>1. Place freewheel control in "engaged" position.</li> <li>2. See "CLEANING" in the Maintenance section.</li> <li>3. Replace motion drive belt.</li> <li>4. Install axle key at rear wheel. See "TO REMOVE WHEEL" in the Service and Adjustments section.</li> </ol>
<b>Engine "back-fires" when turning engine "OFF"</b>	<ol style="list-style-type: none"> <li>1. Engine throttle control not set between half and full speed (fast) position before stopping engine.</li> </ol>	<ol style="list-style-type: none"> <li>1. Move throttle control between half and full speed (fast) position before stopping engine.</li> </ol>
<b>Engine dies when tractor is shifted into reverse</b>	<ol style="list-style-type: none"> <li>1. Reverse operation system (ROS) is not "ON" while mower or other attachment is engaged.</li> </ol>	<ol style="list-style-type: none"> <li>1. Turn ignition key to ROS "ON" position. See Operation section.</li> </ol>



# SUGGESTED GUIDE FOR SIGHTING SLOPES FOR SAFE OPERATION



## LIMITED WARRANTY

The Manufacturer warrants to the original consumer purchaser that this product as manufactured is free from defects in materials and workmanship. For a period of three (3) years from date of purchase by the original consumer purchaser, we will repair or replace, at our option, without charge for parts or labor incurred in replacing parts, any part which we find to be defective due to materials or workmanship. This Warranty is subject to the following limitations and exclusions.

1. This warranty does not apply to the engine, transaxle/transmission components, battery (except as noted below) or components parts thereof. Please refer to the applicable manufacturer's warranty on these items.
2. Transportation charges for the movement of any power equipment unit or attachment are the responsibility of the purchaser. Transportation charges for any parts submitted for replacement under this warranty must be paid by the purchaser unless such return is requested by the manufacturer.
3. Battery Warranty: On products equipped with a Battery, we will replace, without charge to you, any battery which we find to be defective in manufacture, during the first ninety (90) days of ownership. After ninety (90) days, we will exchange the Battery, charging you 1/12 of the price of a new Battery for each full month from the date of the original sale. Battery must be maintained in accordance with the instructions furnished.
4. The Warranty period for any products used for rental or commercial purposes is limited to 90 days from the date of original purchase.
5. This Warranty applies only to products which have been properly assembled, adjusted, operated, and maintained in accordance with the instructions furnished. This Warranty does not apply to any product which has been subjected to alteration, misuse, abuse, improper assembly or installation, delivery damage, or to normal wear of the product.
6. Exclusions: Excluded from this Warranty are belts, blades, blade adapters, normal wear, normal adjustments, standard hardware and normal maintenance.
7. In the event you have a claim under this Warranty, you must return the product to an authorized service dealer.

Should you have any unanswered questions concerning this Warranty, please contact:

HOP  
Outdoor Products Customer Service Dept.  
9335 Harris Corners Parkway  
Charlotte, NC 28269 USA

In Canada contact:  
HOP  
5855 Terry Fox Way  
Mississauga, Ontario  
L5V 3E4

giving the model number, serial number and date of purchase of your product and the name and address of the authorized dealer from whom it was purchased.

THIS WARRANTY DOES NOT APPLY TO INCIDENTAL OR CONSEQUENTIAL DAMAGES AND ANY IMPLIED WARRANTIES ARE LIMITED TO THE SAME TIME PERIODS STATED HEREIN FOR OUR EXPRESSED WARRANTIES. Some areas do not allow the limitation of consequential damages or limitations of how long an implied Warranty may last, so the above limitations or exclusions may not apply to you. This Warranty gives you specific legal rights, and you may have other rights which vary from locale to locale.

This is a limited Warranty within the meaning of that term as defined in the Magnuson-Moss Act of 1975.



# REGLAS DE SEGURIDAD



## Prácticas de Operación Seguras para las Segadoras Conducibles

**PELIGRO: ESTA MAQUINA CORTADORA ES CAPAZ DE AMPUTAR LAS MANOS Y LOS PIES Y DE LANZAR OBJETOS. SI NO SE OBSERVAN LAS INSTRUCCIONES DE SEGURIDAD SIGUIENTES SE PUEDEN PRODUCIR LESIONES GRAVES O LA MUERTE.**



**ADVERTENCIA:** Siempre desconecte el alambre de la bujía y póngalo donde no pueda entrar en contacto con la bujía, para evitar el arranque por accidente, durante la preparación, el transporte, el ajuste o cuando se hacen reparaciones.



**ADVERTENCIA:** No avance cuesta abajo a punto muerto ya que podría perder el control del tractor.



**ADVERTENCIA:** Remolque solamente los accesorios recomendados y conformes a las características indicadas por el fabricante de su tractor. Tenga cuidado y prudencia al utilizar el tractor. Cuando se encuentre en un declive, opere utilizando exclusivamente la velocidad más baja. En caso de un declive una carga excesiva podría resultar peligrosa. Los neumáticos pueden perder la tracción con el suelo y hacerle perder el control de su tractor.



### ADVERTENCIA



El tubo de escape del motor, algunos de sus constituyentes y algunos componentes del vehículo contienen o desprenden productos químicos conocidos en el Estado de California como causa de cáncer y defectos al nacimiento u otros daños reproductivos.



### ADVERTENCIA



Los bornes, terminales y accesorios relativos de la batería contienen plomo o compuestos de plomo, productos químicos conocidos en el Estado de California como causa de cáncer y defectos al nacimiento u otros daños reproductivos. Lavar las manos después de manipularlos.

## I. FUNCIONAMIENTO GENERAL

- Leer, entender y seguir todas las instrucciones sobre la máquina y en el manual antes de empezar.
- No poner las manos o los pies cerca de partes giratorias o debajo de la máquina. Mantener siempre limpia la abertura de descarga.
- Permitir el funcionamiento de la máquina sólo a adultos que tengan familiaridad con las instrucciones.
- Limpiar el área de objetos como piedras, juguetes, cables, etc. que pueden ser recogidos y disparados con las cuchillas.
- Asegurarse de que el área esté libre de otras personas antes de ponerla en marcha. Parar la máquina si alguien entra en el área.
- Nunca llevar pasajeros.
- No cortar marcha atrás al no ser absolutamente necesario. Mirar siempre abajo y delante mientras se procede atrás.
- Nunca dirigir el material descargado hacia nadie. Evitar descargar material contra paredes u obstrucciones. El material podría rebotar hacia el operador. Parar las cuchillas cuando se pasan superficies de grava.
- No maneje la máquina si no tiene la trampa para césped completa, la canaleta de descarga u otros dispositivos de seguridad en su lugar y en funcionamiento.
- Ralentizar antes de girar.

- Nunca dejar una máquina encendida sin vigilancia. Apagar siempre las cuchillas, poner el freno de estacionamiento, parar el motor, y quitar las llaves antes de bajar.
- Desenganche las hojas cuando no esté cortando césped. Apague el motor y espere hasta que todas las partes se detengan por completo antes de limpiar la máquina, retirar la trampa para césped o destapar la canaleta de descarga.
- Hacer funcionar la máquina sólo con la luz del día o luz artificial buena.
- No hacer funcionar la máquina estando bajo los efectos de alcohol o droga.
- Poner atención al tráfico cuando se opera cerca de calles o se cruzan.
- Poner la máxima atención al cargar o descargar la máquina en una caravana o camión.
- Llevar siempre gafas de protección cuando se hace funcionar la máquina.
- Los datos indican que los operadores a partir de los 60 años están afectados por un gran porcentaje de heridas relativas a la conducción del cortacésped. Estos operadores tendrían que evaluar su habilidad de hacer funcionar el cortacésped de modo lo bastante seguro para proteger a sí mismos y a otras personas de heridas graves.
- Seguir las recomendaciones del fabricante para los pesos y contrapesos de las ruedas.
- Mantener la máquina libre de hierba, hojas u otros escombros que pueden tocar el tubo de escape / partes del motor calientes y quemarse. No permitir que el puente del cortacésped cargue hojas u otros residuos que pueden causar acumulaciones. Limpiar toda salpicadura de aceite o carburante antes de hacer operaciones sobre la máquina o guardarla. Dejarla enfriar antes de guardarla.

## II. FUNCIONAMIENTO EN PENDIENTES

Las pendientes son el mayor factor de accidentes relativos a la pérdida de control y vuelco, que pueden causar severas heridas o muerte. El funcionamiento en pendientes requiere una atención extra. Si no es posible hacer marcha atrás en una pendiente o si te sientes incomodo, no la cortes.

- Cortar hacia arriba y abajo de una pendiente, no de modo horizontal.
- Poner atenciones a los hoyos, las raíces, los bultos, las piedras u otros objetos escondidos. El terreno irregular puede volcar la máquina. La hierba alta puede esconder obstáculos.
- Escoger una velocidad de marcha baja de modo que no sea necesario pararse o cambiar estando en una pendiente.
- No cortar la hierba mojada. Las ruedas pueden perder tracción. Poner siempre una marcha cuando se está en pendientes. No poner en punto muerto e ir cuesta abajo.
- Evitar arrancar, pararse o girar en una pendiente. Si las ruedas pierden tracción, desconectar las cuchillas y proceder despacio cuesta abajo en la pendiente.
- Mantener todo los movimientos en las pendientes lentos y gradual. No hacer cambios repentinos de velocidad o dirección, ya que pueden causar el escape de la máquina.
- Poner la máxima atención cuando la máquina funciona con captadores de hierba u otros dispositivos enganchados; pueden afectar la estabilidad de la máquina. No usar en pendientes empinados.
- No intentar estabilizar la máquina poniendo el pie en el terreno.
- No cortar cerca de bajadas, cunetas y orillas. La máquina puede volcarse improvisamente si una rueda está en el borde o se hunde.



# REGLAS DE SEGURIDAD

## Prácticas de Operación Seguras para las Segadoras Conducibles



### III. NIÑOS



**ADVERTENCIA: LOS NIÑOS PUEDEN SUFRIR DAÑOS CON EL USO DE ESTE EQUIPO.** La Academia Estadounidense de Pediatría (American Academy of Pediatrics) recomienda que sólo se permita a niños con una edad mínima de 12 años manejar máquinas cortacésped manuales, y al menos de 16 años para manejar tractores cortacésped.

Si el operador no pone atención a la presencia de los niños pueden ocurrir accidentes trágicos. Los niños a menudo están atraídos por la máquina y las actividad de cortar. No dar por hecho de que los niños se queden adonde estaban la última vez que los vistes.

- Mantener los niños fuera del área de corte y vigilados por un adulto responsable que no sea el operador.
- Estar alerta y apagar la máquina si un niños entra en el área.
- Antes y durante la marcha atrás, mirar adelante y abajo para ver si hay niños pequeños.
- Nunca llevar niños, incluso si hay las cuchillas apagadas. Podrían caer y herirse seriamente o interferir con el funcionamiento seguro de la máquina. los niños que se han llevado precedentemente pueden aparecer de pronto en el área de corte por otro paseo y ser atropellados o tumbados por la máquina.
- Nunca dejar que los niños manipulen la máquina.
- Tener el máximo cuidado cuando se acerca a cantos ciegos, arbustos, árboles u otros objetos que pueden impedir la vista de niños.

### IV. REMOLQUE

- Remolcar sólo con una máquina que tenga un gancho diseñado para remolcar. Enganchar el equipo o remolcar sólo en el punto dispuesto al efecto.
- Seguir las recomendaciones del productor con respecto a los límites del equipo por remolcar y el remolque en pendientes.
- Nunca permitir que niños u otras personas estén dentro del equipo por remolcar.
- En pendientes, el peso del equipo remolcado puede causar la pérdida de tracción y la pérdida de control.
- Viajar despacio y dejar más distancia para frenar.

### V. SERVICIO

#### MANIPULACIÓN SEGURA DE LA GASOLINA

Para evitar heridas personales o daños a las cosas, poner el máximo cuidado a la hora de manipular la gasolina. La gasolina es extremadamente inflamable y los vapores son explosivos.

- Apagar todos los cigarrillos, cigarros, pipas y otras fuentes de ignición.
- Usar sólo contenedores para gasolina aprobados.
- Nunca quitar el tapón de la gasolina o añadir carburante con el motor en marcha. dejar enfriar el motor antes del abastecimiento de la gasolina.
- Nunca abastecer la máquina al interior de un local.
- Nunca guardar la máquina o el contenedor del carburante donde haya una llama abierta, chispas o una luz piloto como un calentador de agua u otros dispositivos.
- Nunca llenar los contenedores al interior de un vehículo o en una caravana o camión recubiertos con un forro de plástico. Colocar siempre los contenedores en el terreno lejos del vehículo cuando se está llenando.
- Quitar el equipo de gas del camión o caravana y abastecerlo en el terreno. Si no es posible, abastecer dicho equipo con un contenedor portátil, más bien que de un surtidor de gasolina.
- Mantener la boquilla a contacto del borde del depósito de carburante o la abertura del contenedor durante toda la operación de abastecimiento. No utilizar un dispositivo con boquilla cerrada-abierta.

- Si se vierte carburante sobre la ropa, cambiarse la ropa inmediatamente.
- Nunca llenar el depósito más de lo debido. Volver a colocar el tapón del gas y cerrar de modo firme.

#### OPERACIONES DE SERVICIO GENERALES

- Nunca hacer funcionar la máquina en un área cerrada.
- Mantener todas las tuercas y pernos apretados para asegurarse de que trabaja en condiciones seguras.
- Nunca modificar los dispositivos de seguridad. Controlar su correcto funcionamiento regularmente.
- Mantener la máquina libre de hierba, hojas u otros residuos acumulados. Limpiar las salpicaduras de aceite o carburante y quitar cualquier cosa mojada con carburante. Dejar que la máquina se enfríe antes de guardarla.
- Si se golpea un objeto ajeno, hay que pararse e inspeccionar la máquina. Reparar, si es necesario, antes de volver a poner en marcha.
- Nunca hacer ningún ajuste o reparación con el motor en función.
- Verifique los componentes de la trampa para césped y la canaleta de descarga con frecuencia y sustituya con repuestos recomendados por el fabricante cuando sea necesario.
- Las cuchillas del cortacésped son afiladas. Envolver la cuchilla, ponerse guantes y poner la máxima atención cuando se hacen operaciones en ellas.
- Controlar el funcionamiento del freno frecuentemente. Ajustar y hacer las operaciones de mantenimiento cuando eso sea necesario.
- Mantener y sustituir las etiquetas de seguridad e instrucción, cuando sea necesario.
- Asegurarse de que el área esté libre de otras personas antes de ponerla en marcha. para la máquina si alguien entra en el área.
- Nunca llevar pasajeros.



- No cortar marcha atrás al no ser absolutamente necesario. Mirar siempre abajo y delante mientras se procede atrás.
- Nunca llevar niños, incluso si hay las cuchillas apagadas. Podrían caer y herirse seriamente o interferir con el funcionamiento seguro de la máquina. los niños que se han llevado precedentemente pueden aparecer de pronto en el área de corte por otro paseo y ser atropellados o tumbados por la máquina.
- Mantener los niños fuera del área de corte y vigilados por un adulto responsable que no sea el operador.
- Estar alerta y apagar la máquina si un niños entra en el área.
- Antes y durante la marcha atrás, mirar adelante y abajo para ver si hay niños pequeños.
- Cortar hacia arriba y abajo de una pendiente (15° Máx), no de modo horizontal.
- Escoger una velocidad de marcha baja de modo que no sea necesario pararse o cambiar estando en una pendiente.
- Evitar arrancar, pararse o girar en una pendiente. Si las ruedas pierden tracción, desconectar las cuchillas y proceder despacio cuesta abajo en la pendiente.
- Si la máquina se para mientras va cuesta arriba, desconectar las cuchillas, poner la marcha atrás y ir hacia atrás despacio.
- No girar estando en pendientes si no es necesario, y luego girar despacio y gradualmente cuesta abajo, si es posible.
- Al cargar o descargar la máquina, no sobrepase el ángulo máximo recomendado de 15°.

## ESPECIFICACIONES DEL PRODUCTO

Capacidad y Tipo de gasolina:	3.0 Galones (11.35 L) Regular Sin Plomo
Tipo de Aceite: (API: SG-SL)	SAE 30 (Sobre 32°F/0°C) SAE 5W30 (Debajo 32°F/0°C)
Capacidad de Aceite:	Con filtro: 64 oz. (1.96 L) Sin filtro: 60 oz. (1.77 L)
Bujía:	Champion QC12YC Abertura: .040" (1,02 mm)
Sistema de Carga:	3 Amps Bateria 5 Amps Luces
Batería:	Amp/Hr: 28 Min. CCA: 230 Case Size: U1R
Torsión del Perno de la Cuchilla:	45-55 FT. LBS. (62-75 Nm)

**FELICITACIONES** por la compra de su tractor. Ha sido diseñado, planificado y fabricado para darle la mejor confiabilidad y el mejor rendimiento posible.

En el caso de que se encuentre con cualquier problema que no pueda solucionar fácilmente, haga el favor de ponerse en contacto con un centro de servicio o con un otro centro de servicio cualificado. Cuenta con técnicos bien capacitados y competentes y con las herramientas adecuadas para darle servicio o para reparar este tractor.

Haga el favor de leer y de guardar este manual. Estas instrucciones le permitirán montar y mantener su unidad en forma adecuada. Siempre observe las "REGLAS DE SEGURIDAD."

## RESPONSABILIDADES DEL CLIENTE

- Lea y observe las reglas de seguridad.
- Siga un programa regular de mantenimiento, cuidado y uso de su tractor.
- Siga las instrucciones descritas en las secciones "Mantenimiento" y "Almacenamiento" de este manual.
- Utilice prendas de seguridad adecuadas al manejar la máquina, incluidos (como mínimo) calzado de seguridad, gafas protectoras y protección auditiva. No utilice pantalones cortos y/o calzado abierto cuando corte la hierba.
- Informe siempre a alguien de que se dispone a cortar la hierba en el exterior.

**ADVERTENCIA:** Este tractor viene equipado con un motor de combustión interna y no se debe usar sobre, o cerca, de un terreno no desarrollado cubierto de bosques, de arbustos o de césped, o menos que el sistema de escape del motor venga equipado con un amortiguador de chispas que cumpla con las leyes locales o estatales (si existen). Si se usa un amortiguador de chispas, el operador debe mantenerlo en condiciones de trabajo eficientes.

En el estado de California, la ley exige lo anterior (Sección 4442 del "California Public Resources Code"). Otros estados pueden contar con otras leyes parecidas. Las leyes federales se aplican en la tierras federales.

Su centro de Servicio más cercano tiene disponible amortiguadores de chispas para el silenciador.

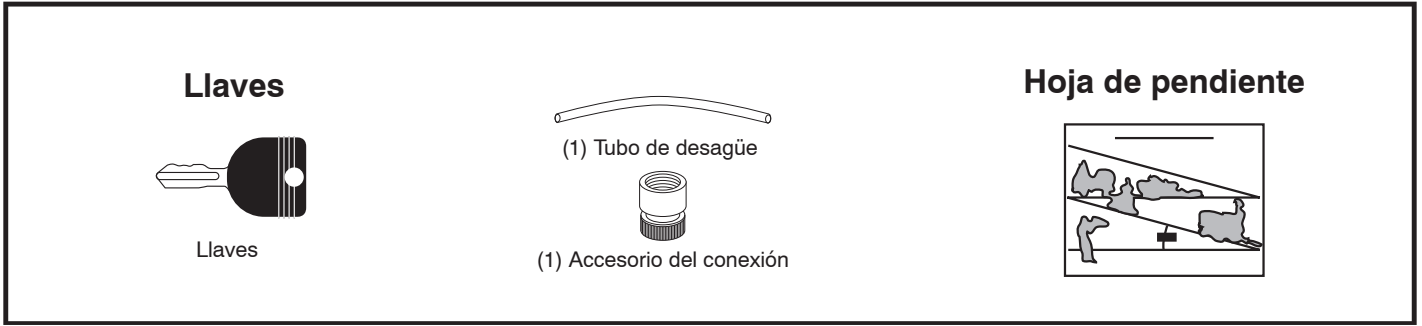
# TABLA DE MATERIAS

REGLAS DE SEGURIDAD.....	29-30
ESPECIFICACIONES DEL PRODUCTO.....	31
RESPONSABILIDADES DEL CLIENTE.....	31
MONTAJE.....	32-33
OPERACIÓN.....	34-40
PROGRAMA DE MANTENIMIENTO.....	41

MANTENIMIENTO.....	41-44
SERVICIO Y AJUSTES.....	45-50
ALMACENAMIENTO.....	51
IDENTIFICACIÓN DE PROBLEMAS.....	52-53
GARANTÍA.....	55



# PEDAZOS PARA LA MONTAJE



## MONTAJE

Su tractor nuevo ha sido montado en la fábrica con la excepción de aquellas partes que no se han montado por razones de envío.

### HERRAMIENTAS NECESARIAS PARA EL MONTAJE

Un juego de llaves de tubo facilitará el montaje. A continuación se enumeran los tamaños de las llaves estándar.

- (2) Llaves de 7/16"      Cuchillo para todo uso
- (1) Llaves de 1/2"      Medidor de presión de las llantas
- Pinzas

Cuando en este manual se mencionan los términos "mano derecha" o "mano izquierda" se refiere a cuando usted se encuentra en la posición de operación (sentado/a detrás del volante de dirección).

### PARA REMOVER EL TRACTOR DE LA CAJA DE CARTÓN

#### DESEMPAQUE LA CAJA DE CARTÓN

- Remueva todas las partes sueltas que estén accesibles, y las cajas de partes, de la caja de cartón grande.
- Remover los paneles de cierre y aplanar los paneles laterales.
- Revise si hay partes sueltas adicionales o cartón y remuévalas.

### ANTES DE REMOVER EL TRACTOR DE LA CORREDERA

#### VERIFIQUE LA BATERÍA (Vea Fig. 1)

- Levante del capota a la posición levantada.

**AVISO:** Si esta batería esta utilizada después del mes y año indicado sobre la etiqueta (la etiqueta que se encuentra entre los terminales), cargue la batería por un mínimo de una hora a 6-10 amps. (Vea "BATERÍA" en la sección de Mantenimiento de este manual.)

- Para instale la batería, y cable de la batería, realice el procedimiento descrito en "REEMPLAZAR LA BATERÍA" del capítulo de Servicio y Ajustes de este manual.

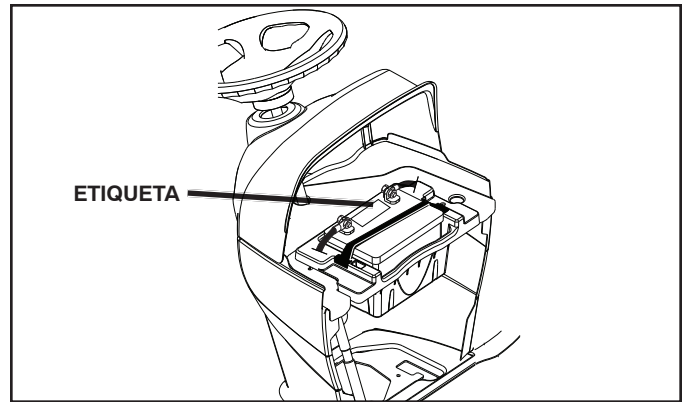


Fig. 1

### PARA AJUSTAR EL ASIENTO (Vea Fig. 2)

1. Siéntese sobre el asiento.
2. Levante la palanca del ajuste (A) hacia arriba y mueva el asiento hasta que alcance una posición cómoda que le permita presionar completamente sobre el pedal del freno.
3. Desconecte la palanca para trabar el asiento en la posición.

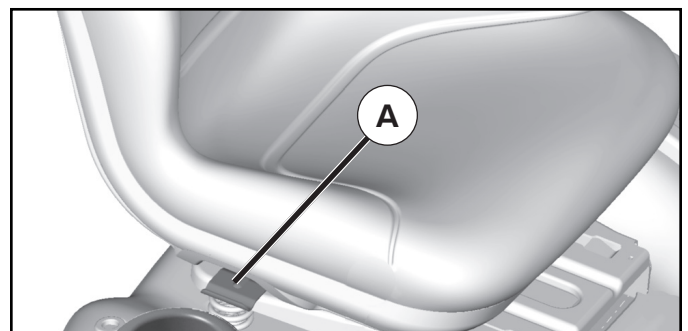


Fig. 2



# MONTAJE

**AVISO:** Ahora puede rodar su tractor fuera de la corredera. Siga las siguientes instrucciones para remover el tractor de la corredera.

**⚠ ADVERTENCIA:** Antes de empezar, leer, entender y seguir todas las instrucciones presentes en la sección Operaciones de este manual. Asegurarse que el tractor esté en un área bien ventilada. Asegurarse que la zona delante del tractor esté libre de otras personas y objetos.

## PARA HACER RODAR EL TRACTOR FUERA DE LA CORREDERA (VEA LA SECCIÓN DE LA OPERACIÓN PARA LA LOCALIDAD Y LA FUNCIÓN DE LOS CONTROLES)

- Levante la palanca de levantamiento del accesorio a su posición más alta.
- Suelte el freno de estacionamiento presionando el pedal del embrague/freno.
- Ponga el control de la rueda libre en la posición de giro libre para desenganchar la transmisión. (Vea “PARA TRANSPORTAR” en la sección de Operación de este manual).
- Haga rodar el tractor hacia delante fuera de la corredera.
- Remueva las bandas que sujetan la protección contra la descarga en contra del tractor.

Continuar con las siguientes instrucciones.

## REVISIÓN DE LA PRESIÓN DE LAS LLANTAS

Las llantas en su unidad fueron infladas demasiado en la fábrica por razones de envío. La presión de las llantas correctas es importante para obtener el mejor rendimiento en el corte.

- Reduzca la presión de los neumáticos a la PSI que se indica en estos.

## REVISIÓN DE LA NIVELACIÓN DEL CONJUNTO

Para obtener los mejores resultados en el corte, la caja de la segadora tiene que estar nivelada en la forma adecuada. Vea “PARA NIVELAR LA CAJA” en la sección de Servicio y Ajustes de este manual.

## REVISIÓN DE LA POSICIÓN ADECUADA DE TODAS LAS CORREAS

Vea las figuras que aparecen para cambiar las correas de impulsión de la cuchilla de la segadora y de movimiento en la sección de Servicio y Ajustes de este manual. Verifique que las correas sigan su paso correcto.

## REVISIÓN DEL SISTEMA DE FRENOS

Una vez que usted haya aprendido a manejar su tractor, verifique que el freno funcione correctamente. Ver “PARA VERIFICAR SI FUNCIONA BIEN EL FRENO” en el capítulo de servicio y ajustes de este manual.

## ✓ LISTA DE REVISIÓN

*ANTES DE OPERAR Y DE DISFRUTAR DE SU TRACTOR NUEVO, LE DESEAMOS QUE RECIBA EL MEJOR RENDIMIENTO Y LA MAYOR SATISFACCIÓN DE ESTE PRODUCTO DE CALIDAD.*

HAGA EL FAVOR DE REVISAR LA LISTA A CONTINUACIÓN:

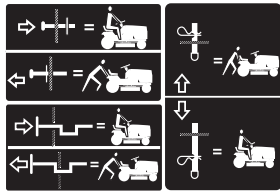
- ✓ Se han completado todas las instrucciones de montaje.
- ✓ No quedan partes sueltas en la caja de cartón.
- ✓ La batería está preparada y cargada en forma adecuada.
- ✓ El asiento ha sido ajustado en forma cómoda y apretado en forma segura.
- ✓ Todas las llantas han sido infladas en forma adecuada. (Para fines de envío, las llantas se inflaron demasiado en la fábrica.)
- ✓ Asegúrese que el conjunto segador esté nivelado en forma adecuada, de lado a lado y desde adelante hacia atrás, para obtener los mejores resultados en el corte. (Las llantas tienen que estar infladas en forma adecuada para la nivelación.)
- ✓ Revise las correas de impulsión y de la segadora. Asegúrese que recorran el paso adecuado alrededor de las poleas y dentro de todos los fijadores de las correas.
- ✓ Revise el alambrado. Fíjese que todas las conexiones todavía estén seguras y que los alambres estén sujetos en forma adecuada.
- ✓ Antes de conducir el tractor, asegúrese que el control de rueda libre este en la posición de “transmisión enganchada” (Vea “PARA TRANSPORTAR” en la sección de la Operación de este manual).

AL MISMO TIEMPO QUE APRENDE A COMO USAR SU TRACTOR, PRESTE ATENCIÓN EXTRA A LOS PUNTOS DE IMPORTANCIA QUE SE PRESENTAN A CONTINUACIÓN:

- ✓ El aceite del motor tiene que llegar al nivel adecuado.
- ✓ El estanque de combustible tiene que estar lleno con gasolina sin plomo regular, nueva y limpia.
- ✓ Familiarícese con todos los controles – su ubicación y su función. Opérelos antes de hacer arrancar el motor.
- ✓ Asegúrese que el sistema de frenos esté en una condición de operación segura.
- ✓ Asegurarse de que el Sistema de Presencia del Operador y el Sistema de Funcionamiento Atrás (ROS) funcionan de modo adecuado. (Ver las Secciones de Funcionamiento y Mantenimiento en este manual.)

# OPERACIÓN

Estos símbolos pueden aparecer sobre su tractor o en la literatura proporcionada con el producto. Aprenda y comprenda sus significados.



**RUEDA LIBRE**  
(Solamente para los modelos automatico)



**PELIGRO, GUARDE LAS MANOS Y LOS PIES LEJOS**



No seguir las siguientes instrucciones puede provocar heridas o muerte. Los símbolos de aviso de seguridad se utilizan para identificar informaciones de seguridad relativas a peligros que pueden provocar la muerte, heridas graves y/o daños a la máquina.



**PELIGRO** indica un peligro que, si no se evita, **provoca muerte o lesiones graves.**



**ADVERTENCIA** indica un peligro que, si no se evita, **puede provocar muerte o lesiones graves.**



**PRECAUCIÓN** indica un peligro que, si no se evita, **puede provocar lesiones ligeras o moderadas.**

**PRECAUCIÓN** cuando se utiliza **sin** el símbolo de aviso, indica una situación que **puede provocar daños al tractor y/o al motor.**



**SUPERFICIES CALIENTES** indica un peligro que, si no se evita, **puede provocar la muerte, lesiones graves y/o danos a la máquina.**



**FUEGO** indica un peligro que, si no se evita, **puede provocar la muerte, lesiones graves y/o danos a la máquina.**

# OPERACIÓN

## FAMILIARICÉSE CON SU TRACTOR

### LEA ESTE MANUAL DE OPERARIO Y LAS REGLAS DE SEGURIDAD ANTES DE OPERAR SU TRACTOR

Compare las ilustraciones con su tractor para familiarizarse con las ubicaciones de los diversos controles y ajustes. Guarde este manual para referencia en el futuro.

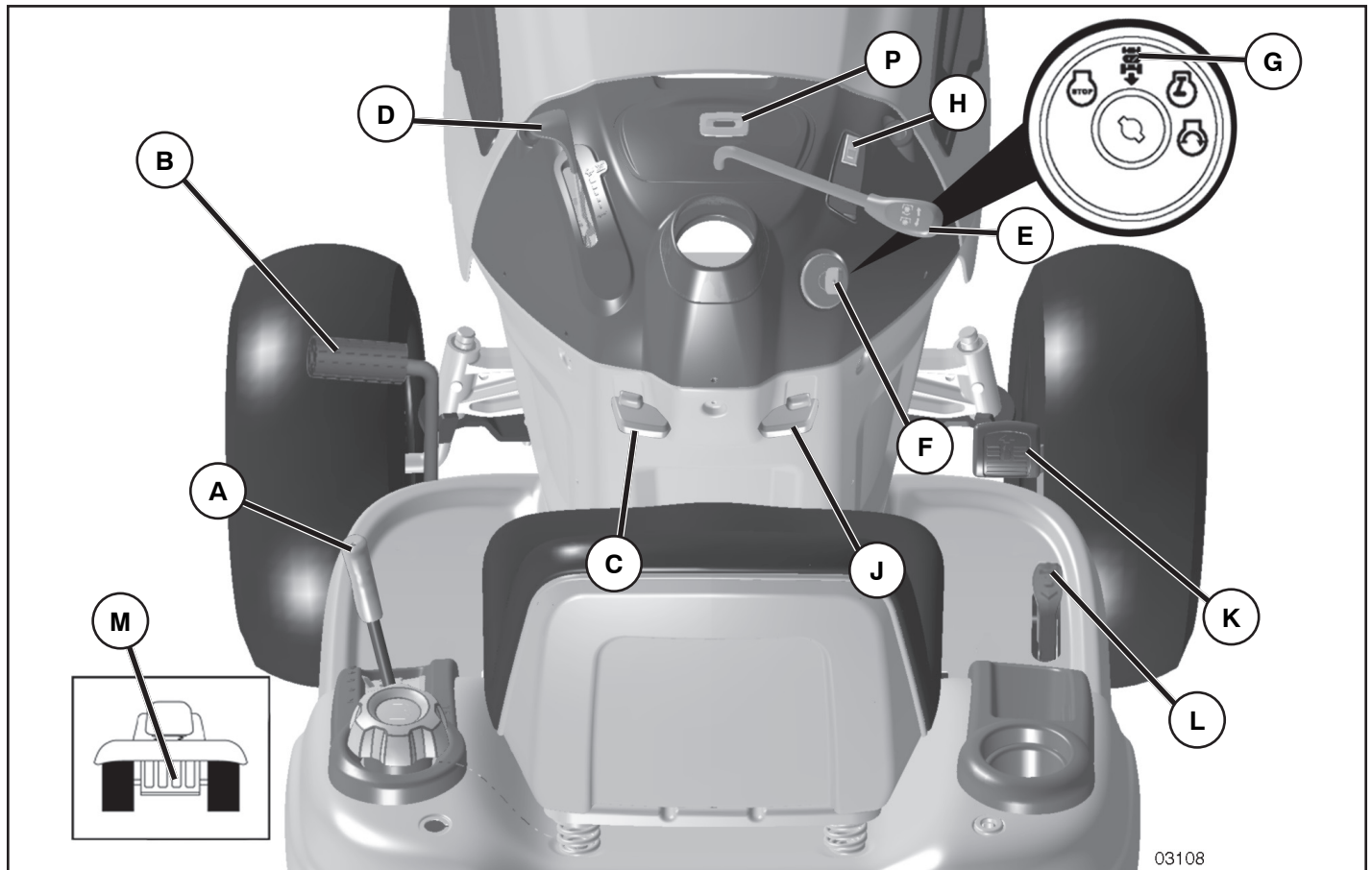


Fig. 3

Nuestros tractores cumplen con los estándares de seguridad del American National Standard Institute.

**(A) PALANCA DEL LEVANTAMIENTO DEL ACCESORIO** - Se usa para levantar, bajar y ajustar el conjunto segador o los demás accesorios montados en su tractor.

**(B) PEDAL DEL EMBRAGUE/FRENO** - Se usa para desembragar y frenar el tractor y para hacer arrancar el motor.

**(C) PALANCA DEL FRENO DE ESTACIONAMIENTO** - Asegura el pedal del embrague/freno en la posición del freno.

**(D) CONTROL DE ACELERACIÓN/ESTRANGULACIÓN** - Se usa para hacer arrancar y controlar la velocidad del motor.

**(E) PALANCA DEL EMBRAGUE DEL ACCESORIO** - Se usa para enganchar las cuchillas segadoras, o los demás accesorios montados en su tractor.

**(F) INTERRUPTOR DE IGNICIÓN** - Se usa para hacer arrancar o hacer parar el motor.

**(G) SISTEMA DE FUNCIONAMIENTO HACIA ATRÁS (ROS) EN POSICIÓN "ON"** - Permite la operación del conjunto segador o otro accesorio accionado mientras que en revés.

**(H) INTERRUPTOR DE LA LUZ** - Enciende y apaga las luces delanteras.

**(J) PALANCA DE MANDO CRUCERO** - Se utiliza para fijar el movimiento hacia adelante del tractor a la velocidad deseada sin apretar el pedal de marcha atrás.

**(K) PEDAL DE MARCHA ADELANTE** - Se utiliza para el movimiento del tractor hacia adelante.

**(L) PEDAL DE MARCHA ATRÁS** - Se utiliza para el movimiento del tractor hacia atrás.

**(M) CONTROL DE RUEDA LIBRE** - Desengancha la transmisión para empujar o arrastrar.

**(P) DISPOSITIVO DE AVISO DE SERVICIO/CRONÓMETRO** - Indica cuándo hay que hacerles el servicio al motor y a la cortadora.

# OPERACIÓN



La operación de cualquier tractor puede hacer que salten objetos extraños dentro de sus ojos, lo que puede producir daños graves en éstos. Siempre use anteojos de seguridad o protecciones para los ojos mientras opere su tractor o cuando haga ajustes o reparaciones. Recomendamos gafas de seguridad o una máscara de visión amplia de seguridad usada sobre las gafas.

## COMO USAR SU TRACTOR

### PARA AJUSTAR EL FRENO DE ESTACIONAMIENTO (Vea Fig. 4)

Su tractor viene equipado con un interruptor sensor que exige la presencia del operador. Cuando el motor está funcionando, si el operador trata de bajarse del asiento sin primero aplicar el freno de estacionamiento, se apagará el motor.

- Presione el pedal (C) del freno/embrague completamente y sosténgalo.
- Jale hacia arriba la palanca del freno de mano (C) y manténgala en esa posición; suelte gradualmente el pedal del embrague/freno (B), y luego suelte la palanca del freno de mano. El pedal tiene que quedar en la posición de freno. Asegúrese que el freno de estacionamiento va a sujetar el tractor en forma segura.

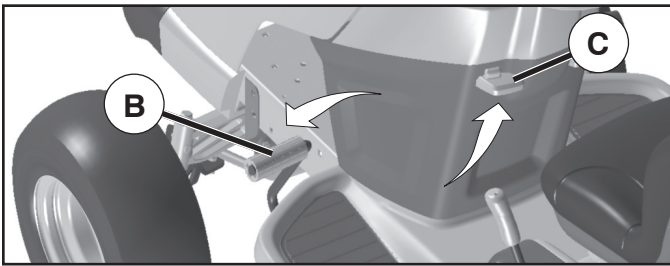
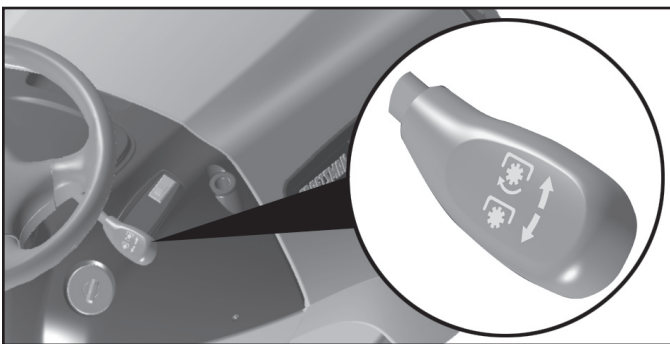


Fig. 4

### PARADA (Vea Fig. 5)

CUCHILLAS DE LA SEGADORA -

- Mueva el control del embrague del accesorio a la posición "DESENGANCHADO" (☒).



☒ PALANCA DEL EMBRAGUE DEL ACCESORIO "DESENGANCHADO"

☑ PALANCA DEL EMBRAGUE DEL ACCESORIO "ENGANCHAR"

Fig. 5

IMPULSIÓN DE RECORRIDO -

- Para parar el mecanismo impulsor, presione el pedal del freno/embrague completamente.

**IMPORTANTE:** LOS PEDALES DE MARCHA ADELANTE Y ATRÁS VUELVEN A LA POSICIÓN NEUTRA CUANDO NO ESTÁN APRETADOS.

MOTOR -

- Mueva el control de aceleración (D) a la posición lenta.

**NOTA:** No mover el control de aceleración a la posición lenta y permitir que el motor esté inactivo antes de parar puede causar que el motor tenga un "pistoneo".

- Gire la llave de ignición (F) a la posición de apagado "STOP" y remueva la llave al abandonar el tractor para evitar el uso no autorizado.
- Nunca use la estrangulación para parar el motor.

**IMPORTANTE:** DEJANDO EL INTERRUPTOR DE LA IGNICIÓN EN CUALQUIER POSICIÓN OTRA QUE "STOP" CAUSARÁ QUE LA BATERÍA SE DESCARGUE (MUERTA).

**NOTA:** Bajo ciertas condiciones, cuando el tractor está parado con el motor andando en vacío, los gases de escape del motor caliente pueden hacer que el césped se ponga "café." Para eliminar esta posibilidad, siempre pare el motor cuando pare el tractor en áreas con césped.



**PRECAUCIÓN:** Siempre pare el tractor completamente, según se ha descrito anteriormente, antes de abandonar la posición del operador.

### PARA USAR EL CONTROL DE LA ACELERACIÓN (D) (VEA FIG. 6)

Siempre opere el motor a una aceleración completa.

- Si el motor funciona a una velocidad inferior a la máxima (rápida), su rendimiento disminuye.
- El rendimiento óptimo se obtiene a la velocidad máxima (rápida).

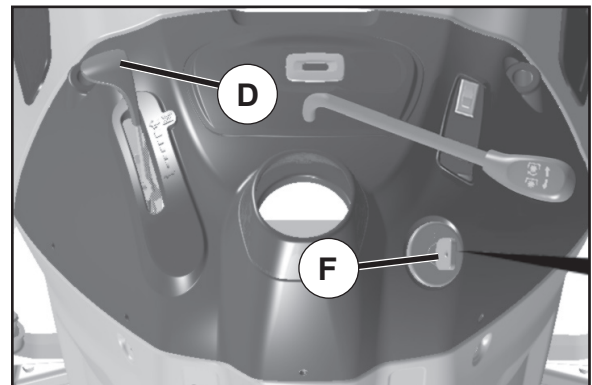


Fig. 6

### MOVERSE HACIA ADELANTE Y HACIA ATRÁS (Vea Fig. 7)

La dirección y la velocidad de movimientos están controlados por los pedales de marcha adelante y atrás.

- Poner en marcha el tractor y quitar el freno de mano.
- Apretar lentamente el pedal marcha adelante (K) y atrás (L) para iniciar el movimiento. Más se aprieta el pedal y mayor es la velocidad.



# OPERACIÓN

## UTILIZAR EL MANDO CRUCERO (Vea Fig. 7)

El mando crucero se puede utilizar sólo durante la marcha hacia adelante.

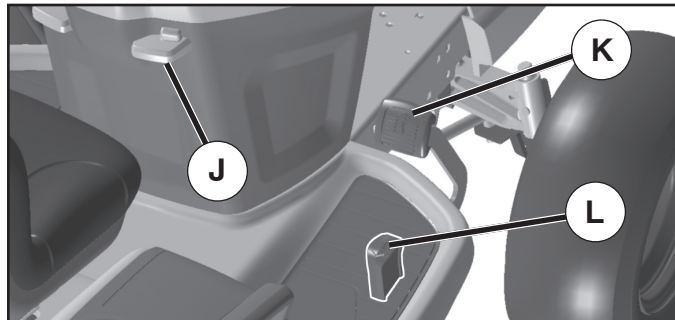


Fig. 7

### CARACTERÍSTICAS TÉCNICAS

El control de velocidad crucero sólo debe usarse mientras el tractor esté en labores de siega o transportación, moviéndose sobre superficies que estén relativamente planas y rectas.

Otras condiciones de trabajo, como la poda, que requiere velocidades bajas, podrían desengranar el control de velocidad crucero. No emplee el control de velocidad crucero mientras el tractor se desplaza por elevaciones, terrenos escarpados o mientras el tractor esté en labores de poda o virando.

- Con el pedal (K) de marcha adelante apretado a la velocidad deseada, mover la palanca de mando de crucero hacia adelante hasta la posición "SET" y mantenerla mientras se levanta el pie del pedal, luego soltar la palanca (J) de mando de crucero.
- Para desconectar el control de crucero, tire la palanca hacia atrás a la posición "OFF", o empuje completamente el pedal del freno.

## PARA AJUSTAR LA ALTURA DE CORTE DE LA SEGADORA (Vea Fig. 7)

La posición de la palanca elevadora (A) determina a qué altura se cortará el césped.

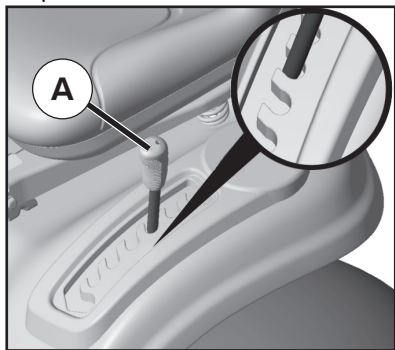


Fig. 8

- Coloque la palanca elevadora en la ranura de la altura deseada.

La gama de la altura de corte es de aproximadamente 1 a 4 pulgadas. Las alturas se miden desde el suelo a la punta de la cuchilla cuando el motor no está funcionando. Estas alturas son aproximadas y pueden variar dependiendo de las condiciones del suelo, de la altura del césped y del tipo del césped que se está segando.

- El césped promedio debe cortarse aproximadamente a 2-1/2 pulgadas durante la temporada fría y sobre 3 pulgadas durante los meses calurosos. Para obtener un césped más saludable y de mejor apariencia, siegue a menudo y después de un crecimiento moderado.

- Para obtener el mejor rendimiento de corte, el césped que tiene más de 6 pulgadas de altura debe segarse dos veces. Haga el primer corte relativamente alto; el segundo a la altura deseada.

## PARA AJUSTAR LAS RUEDAS CALIBRADORAS (Vea Fig. 9)

Las ruedas calibradoras están bien ajustadas cuando se encuentran un poco a distancia del terreno al mismo tiempo que la segadora esté a la altura de corte deseada. Entonces las ruedas calibradoras mantienen el conjunto segador en posición para prevenir el corte raspeo en casi todos los terrenos.

**AVISO:** Ajuste las ruedas calibradoras con el tractor en una superficie nivelada plana.

1. Ajuste la segadora a la altura de corte deseada con la manilla de ajuste de altura (Vea "PARA AJUSTAR LA ALTURA DE CORTE DE LA SEGADORA" en la sección de Operación de este manual).
2. Con la segadora a la altura deseada para la posición de corte, se tienen que montar las ruedas calibradoras de modo que queden un poco sobre el suelo. Instale las ruedas calibradoras en el agujero adecuado como indicados. Apriete con seguridad.
3. Repita el procedimiento para el lado opuesto instalando la rueda calibradora en el mismo agujero de ajuste.

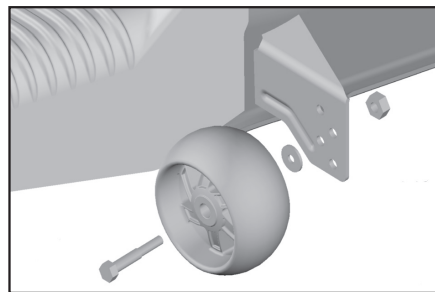


Fig. 9

## PARA OPERAR LA SEGADORA

Su tractor viene equipada con un interruptor sensor que exige la presencia del operador. Si el motor está funcionando y el embrague del accesorio está enganchado y el operador trata de bajarse del asiento, se apagará el motor. Tiene que mantenerse sentado completa y centralmente en el asiento para impedir que el motor vacile o se apague cuando se opere su equipo en terreno disparejo, áspero o en cerros.

- Elija a qué altura cortará el césped (Vea "PARA AJUSTAR LA ALTURA DE CORTE DE LA SEGADORA").
- Haga arrancar las cuchillas de la segadora enganchando el control del embrague del accesorio.



# OPERACIÓN

## PARA PARAR LAS CUCHILLAS DE LA SEGADORA -

- Desenganche el control del embrague del accesorio.



**PRECAUCIÓN:** No opere la segadora sin, ya sea, el recogedor de césped completo en las segadoras así equipadas o con la protección contra la descarga (S) en su lugar. (Vea Fig. 10)

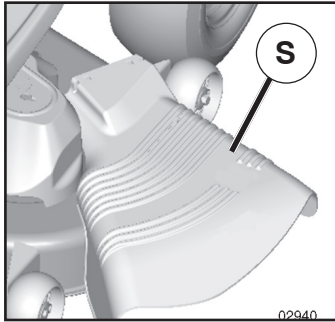


Fig. 10

## FUNCIONAMIENTO ATRÁS (ROS) (Vea Fig. 11)

Tu tractor está equipado con el Sistema de Funcionamiento Atrás (ROS). Cualquier tentativa del operador de viajar marcha atrás con el embrague puesto apagará el motor a menos que la llave de ignición se ponga en la posición de "ON" del ROS.

**ATENCIÓN:** Ir marcha atrás con el embrague puesto para cortar, no es recomendable. Poniendo el ROS en posición "ON", para permitir el funcionamiento atrás con el embrague puesto, se tiene que hacer sólo cuando el operador lo considera necesario para reposicionar la máquina con el dispositivo embragado. No siegue en revés a menos que sea absolutamente necesario.

### USAR EL SISTEMA DE FUNCIONAMIENTO ATRÁS (ROS) -

Utilice el tractor solamente si está seguro de que no ingresarán niños ni otras personas o animales al área donde se va a cortar el césped.

- Presionar el pedal freno hasta el fondo.
- Con el motor en marcha, girar la llave del interruptor de la ignición en el sentido inverso al de las agujas del reloj hasta la posición "ON".
- Mire hacia abajo y hacia atrás no sólo antes de ir marcha atrás, sino mientras esté yendo marcha atrás.
- Presione lentamente el pedal reverso de la impulsión para comenzar el movimiento.
- Cuando el uso del ROS es más necesario, dé vuelta a la llave de ignición en el sentido de las agujas del reloj hasta la posición "ON".



POSICIÓN ROS "ON"



MOTOR EN POSICIÓN "ON" (OPERACIÓN NORMAL)

Fig. 11

## PARA OPERAR EN CERROS



**ADVERTENCIA:** No maneje hacia arriba o hacia abajo en cerros con pendientes superiores a 15° y no maneje atravesando ninguna pendiente. Utilice la guía de la pendiente proporcionada en la parte posterior de este manual.

- Escoja la velocidad más lenta antes de arrancar hacia arriba o hacia abajo en cerros.
- Evite parar o cambiar la velocidad en cerros.
- Si es absolutamente necesario el parar, empuje el pedal de freno rápidamente a la posición de freno y enganche el freno de estacionamiento.
- Para volver a empezar con el movimiento, suelte lentamente, el freno de estacionamiento y el pedal de freno.
- Apretar despacio el pedal apropiado hasta la posición más lenta.
- Gire siempre lentamente.

## PARA TRANSPORTAR (Vea Fig. 12)

Cuando empuje o arrastre su tractor asegúrese de desenganchar la transmisión poniendo el control de la rueda libre en la posición de marcha de rueda libre. El control de marcha de rueda libre esta situado en la barra de tracción trasera del tractor.

- Levante la palanca de levantamiento del accesorio a su posición más alta.
- Retire el control de la rueda libre hasta que la varilla del control se bloquee en posición extendida.
- No empuje o arrastre el tractor a más de dos (2) MPH.
- Para volver a accionar la transmisión, invierta este procedimiento.

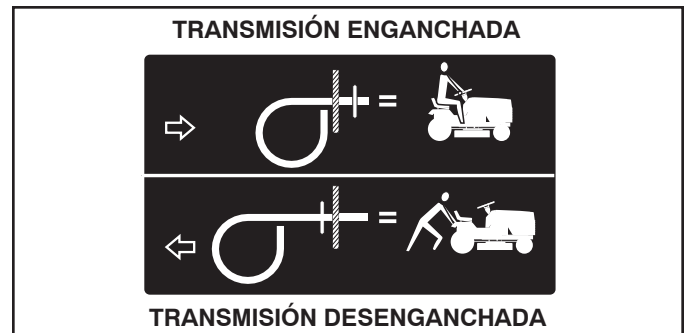


Fig. 12

**AVISO:** El control de la rueda libre se desactivará automáticamente al presionar el pedal del freno/embrague.

**AVISO:** Para proteger el capota contra el daño cuando transporte su tractor en un camión o remolcador, asegúrese que el capota esté cerrado y asegurado al tractor. Use los medios apropiados para amarrar el capota al tractor (cuerdas, cordeles, etc.)

## REMOLQUE DE CARRETILLAS O OTROS ACCESORIOS

Remolque solamente los accesorios recomendados y especificados por el fabricante del tractor. Use sentido común cuando este remolcando. Las cargas pesadas, cuando este yendo sobre una pendiente, son peligrosas, las llantas pueden perder su tracción con el terreno y pueden ocasionar que pierda el control de su tractor.

# OPERACIÓN

## MECANISMO DE AVISO DE SERVICIO / CRONÓMETRO

El recordatorio de servicio muestra el número total de horas de funcionamiento del motor e indica el momento en que el motor o la cortadora de césped necesita mantenimiento. Después de cada 50 horas de funcionamiento, el icono de lata de aceite permanece encendido durante 2 horas o hasta que se realiza el restablecimiento manual. Para restablecer la pantalla manualmente, gire el interruptor de arranque a la posición de encendido y después a la de apagado cinco veces (1 segundo encendido, 1 segundo apagado). Para el mantenimiento del motor y de la cortadora de césped, consulte la sección Mantenimiento de este manual.

**NOTA:** El recordatorio de servicio se activa cuando la llave de contacto está en cualquier posición que no sea "STOP". Para una lectura precisa, la llave debe permanecer en la posición "STOP" cuando el motor no está en marcha.

## ANTES DE HACER ARRANCAR EL MOTOR

### REVISE EL NIVEL DE ACEITE DEL MOTOR

El motor en su tractor ha sido enviado desde la fábrica lleno con aceite de calidad para verano.

- Revise el aceite del motor con el tractor en terreno nivelado.
- Remueva la tapa/varilla indicadora de nivel de relleno del aceite y límpiela, vuelva a insertar la varilla indicadora de nivel y atornille la tapa hasta que quede apretada, espere por unos cuantos segundos, remuévala y lea el nivel del aceite. Si es necesario, agregue aceite hasta que se haya alcanzado la marca lleno (FULL) en la varilla indicadora de nivel. No lo llene demasiado.
- Para la operación en clima frío, debe cambiar el aceite para poder arrancar más fácilmente (Vea "Tabla de Viscosidad Del Aceite" en la sección de Mantenimiento de este manual).
- Para cambiar el aceite del motor, vea la sección de Mantenimiento en este manual.

### AGREGUE GASOLINA

- Llene el estanque de combustible. Llene hasta la parte inferior del cuello de relleno del estanque de gasolina. No lo llene demasiado. Use gasolina regular, sin plomo, nueva y limpia con el mínimo de 87 octanos. (El uso de gasolina con plomo aumentará los depósitos de óxido de plomo y carbono y se reducirá la duración de la válvula). No mezcle el aceite con la gasolina. Para asegurar que la gasolina utilizada sea fresca compre estanques los cuales puedan ser utilizados durante los primeros 30 días.



**PRECAUCIÓN:** Limpie el aceite o el combustible derramado. No almacene, derrame o use gasolina cerca de una llama expuesta.

**IMPORTANTE:** CUANDO SE OPERE EN TEMPERATURAS POR DEBAJO DE 32°F (0°C) USE GASOLINA DE INVIERNO LIMPIA Y NUEVA PARA ASEGURAR UN BUEN ARRANQUE EN CLIMA FRÍO.

**PRECAUCIÓN:** Combustibles mezclados con alcohol (conocidos como gasohol, o el uso de etanol o metanol) pueden atraer la humedad, la que conduce a la separación y formación de ácidos durante el almacenamiento. La gasolina ácida puede dañar el sistema del combustible de un motor durante el almacenamiento. Para evitar los problemas con el motor, se debe vaciar el sistema de combustible antes de guardarlo por un período de 30 días o más. Vacíe el estanque de combustible, haga arrancar el motor y hágalo funcionar hasta que las líneas del combustible y el carburador queden vacíos. La próxima temporada use combustible nuevo. Vea las Instrucciones para el Almacenamiento para más información. Nunca use productos de limpieza para el motor o para el carburador en el estanque del combustible pues se pueden producir daños permanentes.

### PARA HACER ARRANCAR EL MOTOR (Vea Fig. 3)

Al hacer arrancar el motor por la primera vez o si se ha acabado el combustible del motor, se necesitará tiempo para el arranque extra para mover el combustible desde el estanque hasta el motor.

- Asegúrese que el control de rueda libre este en la posición enganchada.
- Siéntase en el sillón en la posición de operación, suelte el pedal del freno y ponga el freno de estacionamiento.
- Mueva el embrague del accesorio a la posición desenganchado disengaged.
- Mueva la palanca de control de la aceleración a la posición de estrangulación.

**AVISO:** Antes de arrancar, lea las instrucciones siguientes para el arranque en clima frío y templado.

- Inserte la llave en la ignición y gire la llave en el sentido que giran las manillas del reloj a la posición de arranque start, y suelte la llave tan pronto como arranque el motor. No haga funcionar el arrancador continuamente por más de quince segundos por minuto. Si el motor no arranca después de varios intentarlos, mueva el control de la aceleración a la posición de rápido, espere unos cuantos minutos y trate de nuevo. Si el motor sigue sin funcionar, mueva el control de la aceleración a la posición de estrangulación y intente de nuevo.

#### ARRANQUE CON TIEMPO TEMPLADO (50°F/10°C y más)

- Cuando arranque el motor, mueva el control de la aceleración a la posición de rápido.
- Los accesorios y el embrague ahora pueden ser utilizados. Si el motor no acepta esta carga, vuelva a arrancar el motor para permitirle que se caliente por un minuto utilizando el estrangulador como descrito arriba.

#### ARRANQUE CON TIEMPO FRÍO (50°F/10°C y menos)

- Al hacer arrancar el motor, mantenga el control de la aceleración a la posición de estrangulación hasta que el motor se caliente y empiece funcionar mal. Una vez que empiece a funcionar mal, mueva inmediatamente el control de la aceleración a la posición rápida. El calentamiento del motor puede tomar a partir de varios segundos a varios minutos (cuanto más fría es la temperatura, más largo es el calentamiento).

# OPERACIÓN

## CALENTAMIENTO PARA LA TRANSMISION AUTOMATICA

Antes de conducir la unidad en un tiempo frío, la transmisión debe ser calentada como las instrucciones siguientes:

- Asegúrese que el tractor este situado en una superficie nivelada.
- Alivie el freno de estacionamiento y deje que el freno vuelva a la posición de operación.
- Permita que la transmisión se caliente durante un minuto. Esto puede ser echo durante el tiempo de calentamiento del motor.
- Los accesorios pueden ser utilizados durante el periodo del recalentamiento del motor después que la transmisión halla sido calentada.

**AVISO:** Si se encuentra a mucha altura (sobre 3000 pies) o en clima frío (por debajo de 32°F [0°C]), la mezcla del combustible del carburador debe ser ajustada para el mejor rendimiento del motor. (Vea "PARA AJUSTAR EL CARBURADOR" en la sección de Servicio y Ajustes de este manual).

## CONSEJOS PARA SEGAR

- No se pueden usar las cadenas para las llantas cuando la caja de la segadora está adjunta al tractor.
- La segadora debe estar nivelada en forma adecuada para obtener el mejor rendimiento al segar. Vea "PARA NIVELAR LA CAJA DE LA SEGADORA" en la sección de Servicio y Ajustes de este manual.
- El lado izquierdo de la segadora se debe usar para recorte.
- Maneje de modo que los recortes se descarguen en el área que ya ha sido cortada. Mantenga el área de corte a la derecha del tractor. Esto producirá una distribución más pareja de los recortes y un corte más uniforme.
- Al segar las área grandes, empiece girando a la derecha de modo que los recortes se descarguen, alejándose de los arbustos, cercos, entradas de automóviles, etc. Después de una o dos vueltas, siegue en la dirección opuesta, haciendo virajes a la izquierda, hasta que termine (Vea Fig 13).

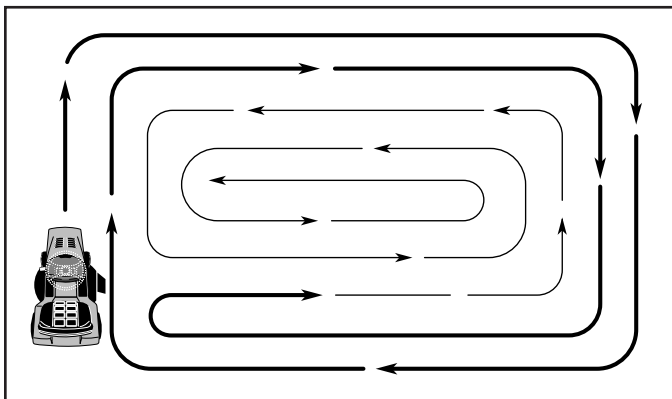


Fig. 13

- Si el césped está demasiado alto, se debe segar dos veces para reducir la carga y los posibles peligros de incendio debido a los recortes secos. Haga el primer corte relativamente alto; el segundo a la altura deseada.
- No siegue el césped cuando está mojado. El césped mojado taponará la segadora y dejará montones indeseables. Permita que se seque el césped antes de segar.
- Siempre opere el motor con una aceleración completa cuando siegue para asegurarse de conseguir un mejor rendimiento y una descarga apropiada de los materiales. Regule la velocidad de recorrido seleccionando un cambio lo suficientemente bajo para obtener un rendimiento de corte de parte de su segadora y también la calidad del corte deseada.
- Cuando opere con accesorios, seleccione una velocidad de recorrido que se acomode al terreno y le permita obtener el mejor rendimiento del accesorio que se está usando.

# MANTENIMIENTO

PROGRAMA DE MANTENIMIENTO		ANTES DE CADA USO	CADA 8 HORAS	CADA 25 HORAS	CADA 50 HORAS	CADA 100 HORAS	CADA TEMPORADA	ALMACENAMIENTO
TRACTOR	Revisar la operación del freno	✓	✓					
	Revisar la presión de las llantas	✓	✓					
	Vérifiez la commande de présence d'opérateur et le système ROS	✓						
	Revisar si hay sujetadores sueltos	✓				✓		✓
	Afilar/cambiar las cuchillas de la segadora			✓ <sub>3</sub>				
	Tabla de lubricación			✓				✓
	Revisar el nivel			✓ <sub>4</sub>				
	Limpia la batería y los terminales			✓				✓
	Limpie los residuos de la placa de dirección.			✓ <sub>5</sub>				
	Compruebe La Nivelación Del Cortacéspedes				✓			
Inspeccione las correas trapezoidales					✓			
MOTOR	Revisar el nivel del aceite del motor	✓	✓					
	Cambiar el aceite del motor (con filtro)				✓ <sub>1,2</sub>			✓
	Cambiar el aceite del motor (sin filtro)			✓ <sub>1,2</sub>				✓
	Limpia el filtro de aire			✓ <sub>2</sub>				
	Limpia la rejilla de aire			✓ <sub>2</sub>				
	Inspeccionar el silenciador/ amortiguador de chispas				✓			
	Cambiar el filtro de aceite (si equipado)					✓ <sub>1,2</sub>		
	Limpia las aletas de enfriamiento					✓ <sub>2</sub>		
	Cambiar la bujía					✓	✓	
	Cambiar el cartucho de papel del filtro de aire					✓ <sub>2</sub>		
	Cambiar el filtro de combustible						✓	

1- Cambiar más a menudo cuando se opere bajo carga pesada o en ambientes con altas temperaturas  
2- Dar servicio más a menudo cuando se opere en condiciones sucias o polvorosas.

3- Cambiar las cuchillas más a menudo cuando se siegue en suelo arenoso.  
4- No requerido si equipado con una batería libre de mantenimiento.  
5- Vea "LIMPIEZA" en la sección de Mantenimiento de este manual.

## RECOMENDACIONES GENERALES

La garantía de este tractor no cubre los artículos que han estado sujetos al abuso o a la negligencia del operador. Para recibir todo el valor de la garantía, el operador tiene que mantener la segadora según las instrucciones descritas en este manual.

Hay algunos ajustes que se tienen que hacer en forma periódica para poder mantener su tractor adecuadamente.

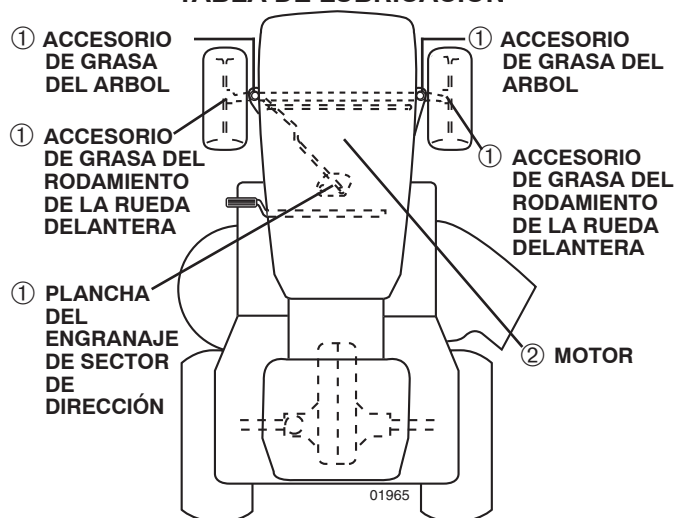
Al menos una vez cada estación comprobar si es necesario efectuar los ajustes descritos en las secciones de Servicio y Ajustes de este manual.

- Una vez al año, cambie la bujía, limpie o cambie el filtro de aire y revise si las cuchillas y las correas están desgastadas. Una bujía nueva y un filtro de aire limpio aseguran una mezcla de aire-combustible adecuada y le ayudan a que su motor funcione mejor y que dure más.

### ANTES DE CADA USO

- Revise el nivel del aceite del motor.
- Revise la operación de los frenos.
- Revise la presión de las llantas.
- Verifique que el sistema de presencia del operado y ROS funcionen adecuadamente.
- Revise si hay sujetadores sueltos.

## TABLA DE LUBRICACIÓN



- Grasa de propósito general
- Refiérase a la sección del "MOTOR" en Mantenimiento

**IMPORTANTE:** NO ACEITE O ENGRASE LOS PUNTOS PIVOTES, LOS QUE TIENEN RODAMIENTOS DE NILÓN ESPECIALES. LOS LUBRICANTES VISCOSOS ATRAERÁN POLVO Y MUGRE, LO QUE ACORTARA LA DURACIÓN DE LOS RODAMIENTOS. SI CREE QUE LUBRICARSE, USE SOLAMENTE UN LUBRICANTE TIPO GRAFITO DE POLVO SECO EN FORMA MODERADA.

# MANTENIMIENTO

## TRACTOR

Siempre observe las reglas de seguridad cuando dé mantenimiento.

### OPERACIÓN DEL FRENO

Si el tractor necesita más de cinco (5) pies para detenerse a la máxima velocidad al cambio más alto en una superficie nivelada, de hormigón o pavimentada, hay que hacerle el servicio al freno. Vea "CONTROLAR Y AJUSTAR EL FRENO" en el capítulo de Servicio y ajustes de este manual.

### LLANTAS

- Mantenga todos los neumáticos con la presión de aire adecuada (Vea la PSI que se indica en estos).
- Mantenga las llantas sin gasolina, aceite o sustancias químicas para control de insectos que pueden dañar la goma.
- Evite los tocones, las piedras, las grietas profundas, los objetos afilados y otros peligros que pueden dañar a las llantas.

**AVISO:** Para arreglar las llantas perforadas y péra prevenir que tenga llantas pinchadas a causa de pequeñas fugas, puede comprar el sello para llantas de su comerciante de partes de repuesto más cercano. Elselo previene que las llantas se sequen y también la corrosión.

### SISTEMA PRESENCIA OPERADOR Y SISTEMA FUNCIONAMIENTO ATRÁS (ROS) (Vea Fig. 14)

Asegurarse de que el sistema de presencia del operador, el sistema de trabajo y el sistema funcionamiento atrás funcionen bien. Si tu tractor no función como descrito, reparar el problema inmediatamente.

- El motor no arrancará si el pedal de embrague/freno está completamente presionado y el mando del embrague del accesorio está desconectado.

### VÉRIFIÉZ SISTEMA PRESENCIA OPERADOR

- Cuando el motor está en marcha, cualquier tentativa del operador de abandonar el asiento sin haber puesto el freno de estacionamiento primero, apagará el motor.
- Cuando el motor está en marcha y el embrague del accesorio está conectado, cualquier tentativa del operador de abandonar el asiento, apagará el motor.
- El embrague del accesorio no tendría que funcionar nunca si el operador no está en su asiento.

### VÉRIFIÉZ SISTEMA FUNCIONAMIENTO ATRÁS (ROS)

- Cuando el motor está en marcha con el interruptor de llave en posición de motor "ON" y el embrague del accesorio conectado, cualquier tentativa del operador de viajar marcha atrás, apagará el motor.
- Cuando el motor está en marcha con el interruptor de llave del sistema de funcionamiento atrás (ROS) en la posición "ON" y el embrague del accesorio conectado, cualquier tentativa del operador de viajar marcha atrás, NO apagará el motor.

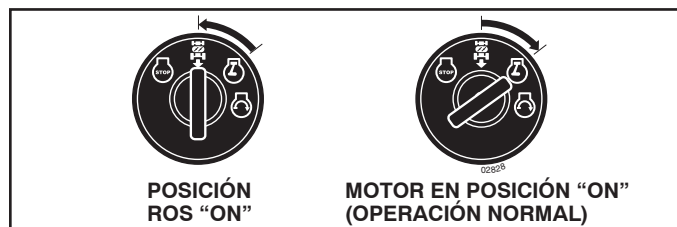


Fig. 14

### CUIDADO DE LA CUCHILLA

Para obtener resultados óptimos, las cuchillas de la cortadora deben estar afiladas. Reemplace las cuchillas que estén gastadas, dobladas o dañadas.



**PRECAUCIÓN:** Usar solamente la hojas de repuesto aprobada por el fabricante de su cortacésped. Usar una hoja no aprobada por el fabricante de su cortacésped es peligroso, puede dañar su cortacésped y anular su garantía.

### REMOCIÓN DE LA CUCHILLA (Vea Fig. 15)

- Levante la segadora a su posición más alta para permitir el acceso a las cuchillas.

**AVISO:** Proteja sus manos con guantes y/o envuelva la cuchilla con una tela gruesa.

- Remueva el perno de la cuchilla dándole vueltas en el sentido inverso al de las agujas del reloj.
- Instale la nueva cuchilla o cuchilla afilada con el estampado "THIS SIDE UP" en la dirección de la segadora y del conjunto del mandril.

**IMPORTANTE:** PARA ASEGURAR LA INSTALACION APROPIADA, POSICIONE EL AGUJERO CENTRAL DE LA CUCHILLA CON LA ESTRELLA DEL CONJUNTO DEL MANDRIL.

- Instale y apriete el perno de la cuchilla firmemente (par 45-55 Pies-Libras/62-75 Nm).

**IMPORTANTE:** EL PERNO DE LA CUCHILLA ES TRATADO A CALO.

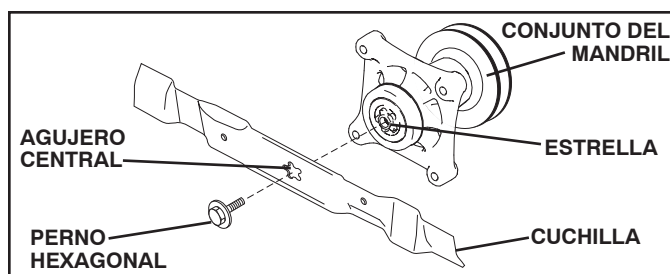


Fig. 15

### BATERÍA

Su tractor cuenta con un sistema de carga de la batería que es suficiente para el uso normal. Sin embargo, si se carga la batería, periódicamente, con un cargador de automóviles se prolongará su duración.

- Mantenga la batería y los terminales limpios.
- Mantenga los pernos de la batería apretados.
- Mantenga los agujeros de ventilación pequeños abiertos.
- Vuelva a cargar a 6-10 amperes por 1 hora.

**AVISO:** La batería del equipo original de su tractor no necesita servicio. No intente abrir o remover las tapas o cubiertas. No es necesario añadir o verificar el nivel del electrolito.

### PARA LIMPIAR LA BATERÍA Y LOS TERMINALES

La corrosión y la mugre de la batería y de los terminales pueden producir "escapes" de potencia en la batería.

- Desconecte el cable de la batería NEGRO primero y luego el cable de la batería ROJO y remueva la batería del tractor.
- Enjuague la batería con agua corriente y séquela.
- Limpie los terminales y los extremos del cable de la batería con un cepillo de alambre hasta que queden brillantes.
- Cubra los terminales con grasa o parafina.
- Reinstale la batería (Vea "REEMPLAZAR LA BATERIA" en la sección de Servicio y Ajustes de este manual).



# MANTENIMIENTO

## CORREAS V

Revise las correas V para verificar si existe deterioro y desgaste después de 100 horas de operación y cámbielas si es necesario. Las correas no son ajustables. Cambie las correas si empiezan a deslizarse debido al desgaste.

## ENFRIAMIENTO DEL TRANSEJE

El transeje ha sido sellado en la fábrica y el mantenimiento del fluido no es necesario para la vida del transeje. En el caso de que el transeje se filtrase o necesitase servicio, haga el favor de ponerse en contacto con un otro centro de servicio cualificado.

## MOTOR

### LUBRICACIÓN

Use solamente aceite de detergente de alta calidad clasificado con la clasificación SG-SL de servicio API. Seleccione la calidad de viscosidad del aceite SAE según su temperatura de operación esperada.

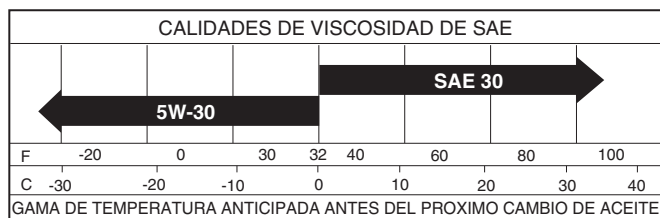


Fig. 16

**AVISO:** A pesar de que los aceites de multiviscosidad (5W30, 10W30, etc.) mejoran el arranque en clima frío, estos aceites de multiviscosidad van a aumentar el consumo de aceite cuando se usan en temperaturas sobre 32° F (0° C). Revise el nivel del aceite del motor más a menudo, para evitar un posible daño en el motor, debido a que no tiene suficiente aceite.

Cambie el aceite después de 50 horas de operación o por lo menos una vez al año si el tractor se utiliza menos 50 horas el año. Revise el nivel del aceite del cárter antes de arrancar el motor y después de cada ocho (8) horas de uso continuado. Apriete la tapa del relleno/varilla indicadora de nivel del aceite en forma segura cada vez que revise el nivel del aceite.

## PARA CAMBIAR EL ACEITE DEL MOTOR (Vea Fig. 16 & 17)

Determine la gama de la temperatura esperada antes de cambiar el aceite. Todo el aceite debe cumplir con la clasificación de servicio API SG-SL.

- Asegúrese que el tractor esté en una superficie nivelada.
- El aceite se drenará más fácilmente cuando esté caliente.
- Recoja el aceite en un envase adecuado.
- Remueva la tapa/varilla indicadora de nivel para relleno del aceite. Tenga cuidado de no permitir que la mugre entre en el motor cuando cambie el aceite.
- Quite el casquillo de la guarnición inferior de la válvula de desagüe e instale el tubo de desagüe sobre la guarnición.

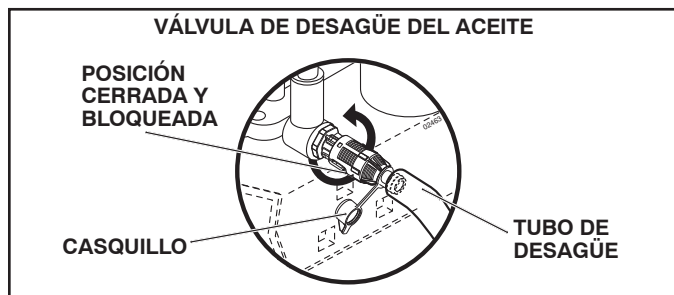


Fig. 17

- Abra la válvula de desagüe empujando hacia dentro y dando vuelta a la izquierda.
- Para abrirse, tire hacia fuera la válvula de desagüe.
- Después de que el aceite haya drenado total-mente, cerrar y bloquee la válvula de desagüe empujando hacia dentro y dando vuelta en sentido de las agujas de un reloj hasta que la clavija está en la posición bloqueada según lo mostrado.
- Remueva el tubo de desagüe y sustituya el casquillo sobre la guarnición inferior de la válvula de desagüe.
- Vuelva a llenar el motor con aceite a través del tubo de la varilla indicadora de nivel para relleno del aceite. Vacíelo lentamente. No lo llene demasiado. Para la capacidad aproximada vea las "Especificaciones del Producto" sección de este manual.
- Use un medidor en la tapa/varilla indicadora del nivel para relleno del aceite para revisar el nivel. Mantenga el aceite en la línea de lleno (FULL) en la varilla indicadora de nivel. Apriete la tapa en el tubo en forma segura cuando termine.

## FILTRO DE ACEITE DEL MOTOR

Cambie el filtro de aceite del motor cada temporada o vez por medio que cambie el aceite, si el tractor se usa más de 100 horas en un año.

## FILTRO DEL AIRE

Su motor puede sufrir averías y funcionar de manera incorrecta con un filtro del aire sucio. Déle servicio al filtro de aire más a menudo si se usa en condiciones polvorosas. Vea la manual de la motor.

## LIMPIEZA DE LA REJILLA DE AIRE

La rejilla de aire debe mantenerse sin mugre y paja para evitar el daño al motor debido al sobrecalentamiento. Límpiela con un cepillo de alambre o con aire comprimido para remover la mugre y las fibras de goma secas, pegadas.

## SISTEMA DE ENFRIAMIENTO DE AIRE

Para asegurar un enfriamiento adecuado, asegúrese que la rejilla del césped, las aletas de enfriamiento, y otras superficies externas del motor se mantengan limpias en todo momento.

Cada 100 horas de operación (más a menudo bajo condiciones extremadamente polvorosas o sucias), remueva la caja del ventilador y otras tapas de enfriamiento. Limpie las aletas de enfriamiento y las superficies externas, según sea necesario. Asegúrese que se vuelvan a instalar las tapas de enfriamiento.

**AVISO:** Si se opera la máquina con una rejilla del césped bloqueada, sucia, o con las aletas de enfriamiento taponadas, y/o las tapas de enfriamiento removidas se producirá daño en el motor debido al calentamiento excesivo.

## SILENCIADOR

Inspeccione y cambie el silenciador corroído y el amortiguador de chispas (si viene equipado) pues pueden crear un peligro de incendio y/o daños.

## BUJÍA(S)

Cambie las bujía(s) al comienzo de cada temporada de siega o después de cada 100 horas de operación, lo que suceda primero. El tipo de bujía y el ajuste de la abertura aparecen en "ESPECIFICACIONES DEL PRODUCTO" sección de este manual.

# MANTENIMIENTO

## FILTRO DE COMBUSTIBLE (Vea Fig. 18)

El filtro de combustible debe cambiarse una vez cada temporada. Si el filtro de combustible se tapona, obstruyendo el flujo del combustible hacia el carburador, es necesario cambiarlo.

1. Con el motor frío, remueva el filtro y tapone las secciones de la línea de combustible.
2. Ponga el filtro de combustible nuevo en su posición en la línea de combustible con la flecha señalando hacia el carburador.
3. Asegúrese de que no hayan fugas en la línea de combustible y que las grapas estén colocadas en forma adecuada.
4. Inmediatamente limpie toda la gasolina derramada.

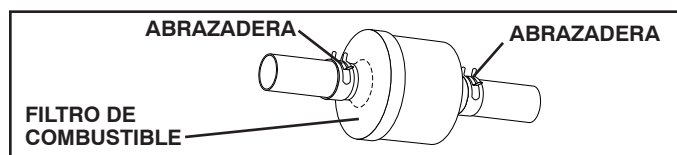


Fig. 18

## LIMPIEZA

- Limpie todo material extraño del motor, la batería, el asiento, el pulido, etc.
- Limpie los desechos de la placa guía. Los desechos pueden limitar el movimiento del eje del pedal del freno/embrague, lo que hará que patine la correa y que se pierda la tracción.

**PRECAUCIÓN:** Evite todos los puntos de enganche y las piezas móviles. (Vea Fig. 19)

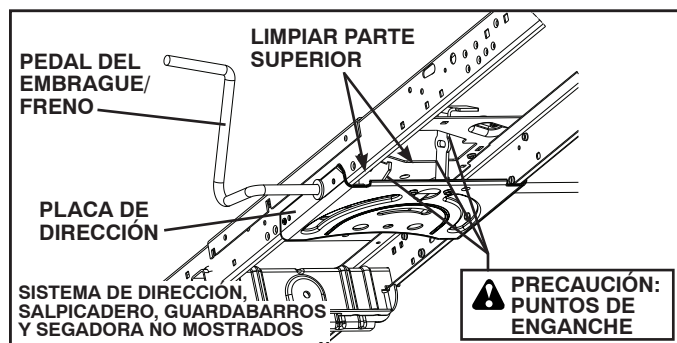


Fig. 19

- Mantenga las superficies pulidas y las ruedas sin derrames de gasolina, aceite, etc.
- Proteja las superficies pintadas con cera tipo automotriz.

No recomendamos que se utilice una manguera de jardín o agua a presión para limpiar el tractor a no ser que el motor y la transmisión estén cubiertos para protegerlos del agua. El agua en el motor y la transmisión acortan la vida útil del tractor. Utilizar aire comprimido o un soplador de hojas para remover hierba, hojas y basura del tractor y cortacésped.

## PUERTO DE LAVADO DE LA CUBIERTA (Vea Fig. 20)

La cubierta de su tractor está equipada con un puerto de lavado sobre la superficie que forma parte del sistema de lavado de la cubierta. Se debería utilizar cada vez que se haya usado el tractor.

1. Lleve el tractor a un lugar horizontal y despejado de su césped, lo bastante cerca de una boca de riego como para que llegue la manguera del jardín.

**IMPORTANTE:** Asegúrese de que la boca de descarga del tractor está orientada LEJOS de su casa, garaje, coches aparcados, etc. Quite la boca de ensacado o cubierta de mantillo si está acoplada.

2. Mueva el control del embrague del accesorio a la posición "DESENGANCHADO", ponga el freno de estacionamiento y apague el motor.
3. Enrosque el adaptador de la boquilla (empaquetado con el manual del operador del tractor) en el extremo de la manguera del jardín.
4. Eche hacia atrás la abrazadera de cierre del adaptador de la boquilla y empuje éste en el puerto de lavado de la cubierta en el extremo izquierdo de la cubierta de la segadora. Suelte la abrazadera de cierre para fijar el adaptador en la boquilla.

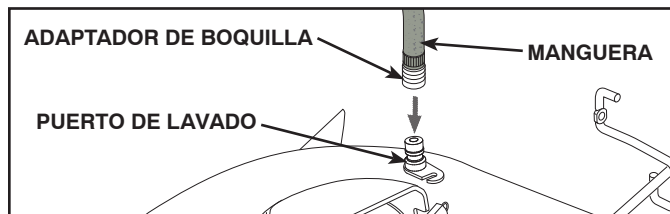


Fig. 20

**IMPORTANTE:** Tire de la manguera para asegurarse de que la conexión está bien fija.

5. Abra la llave del agua.
6. Desde la posición del operador del tractor, vuelva a arrancar el motor y ponga la palanca de aceleración en la posición rápido ("↗").

**IMPORTANTE:** Vuelva a comprobar la zona para asegurarse de que está despejada.

7. Mueva el control del embrague del accesorio a la posición "ENGANCHAR". Manténgase en la posición del operador con la cubierta de corte acoplada hasta que la cubierta esté limpia.
8. Mueva el control del embrague del accesorio a la posición "DESENGANCHADO". Gire la llave de encendido a la posición STOP para apagar el motor del tractor. Cierre la llave del agua.
9. Tire hacia atrás la abrazadera de cierre del adaptador de la boquilla para desconectar el adaptador del puerto de lavado de la cubierta.
10. Lleve el tractor a una zona seca, preferentemente de cemento o pavimentada. Mueva el control del embrague del accesorio a la posición "ENGANCHAR" para quitar el exceso de agua y ayudar a que se seque antes de guardar el tractor.



**ADVERTENCIA:** Si el accesorio de lavado está roto o no está, Ud. y otras personas estarán expuestos a que la hoja les lance aquellos objetos con los que entre en contacto.

- Sustituya inmediatamente el accesorio de lavado roto o que falta antes de volver a usar la segadora.
- Tape todos los orificios de la segadora con pernos y tuercas de seguridad.

# SERVICIO Y AJUSTES



**ADVERTENCIA: PARA EVITAR LESIONES SERIAS, ANTES DE DAR CUALQUIER SERVICIO O DE HACER AJUSTES:**

- Presione el pedal de freno completamente y aplique el freno de estacionamiento.
- Ponga el embrague del accesorio en la posición "DESENGANCHADO".
- Ponga la llave de ignición en la posición de apagado (STOP) y remuévala.
- Asegúrese que las cuchillas y que todas las partes movibles se hayan detenido completamente.
- Desconecte el alambre de la bujía y póngalo en donde no pueda entrar en contacto con ésta.

## PARA DESMONTAR LA CORTADORA DE CÉSPED (Vea Fig. 21)

- Suelte el embrague poniéndolo en la posición "DESENGANCHADO".
- Baje la palanca elevadora de montaje a la posición de más abajo.
- Ruede la correa de polea del motor (M).
- Retire el resorte de sujeción (K), deslice la abrazadera (L) hasta quitarla, y saque a presión la guía de la caja (P) hasta que se salga del soporte.
- Retire el resorte del cable del embrague (Q) del brazo del engranaje (R).
- Desconecte la pieza de unión anterior (E) de la cortadora – retire el resorte de contención y la arandela.
- Por uno de los lados de la cortadora, desconecte el brazo de suspensión de la cortadora (A) del chasis y la pieza de unión posterior (C) de la barra posterior de la cortadora (D) – retire los resortes de contención y las arandelas.



**CUIDADO: UNA VEZ QUE SE DES-CONNECTEN LAS PIEZAS DE UNIÓN POSTERIORES, LA PALANCA ELEVADORA FUNCIONARÁ A RESORTE. SUJETE CON FUERZA LA PALANCA ELEVADORA AL CAMBIARLA DE POSICIÓN.**

- Deslice la cortadora por debajo del lado derecho del tractor. **IMPORTANTE:** Si se monta un accesorio diferente del cortacésped al tractor, hay que quitar el estribo frontal (E) y los estribos traseros de elevación (C) del tractor y enganchar el resorte de embrague (Q) en la guía del cable en el borde frontal del salpicadero más bajo.

## INSTALE LA SEGADORA (VEA Fig. 21-26)

Asegúrese de que el tractor se encuentre en una superficie nivelada, y ponga el freno de mano.

- Haga descender la palanca elevadora a su posición más baja.



**CUIDADO: LA PALANCA ELEVADORA FUNCIONA A RESORTE. SUJETELA CON FUERZA, HÁGALA DESCENDER LENTAMENTE Y TRANQUELA EN LA POSICIÓN MÁS BAJA.**

**NOTA:** Cercíorese de que los brazos de suspensión de los lados de la segadora (A) estén dirigidos hacia adelante antes de deslizarla por

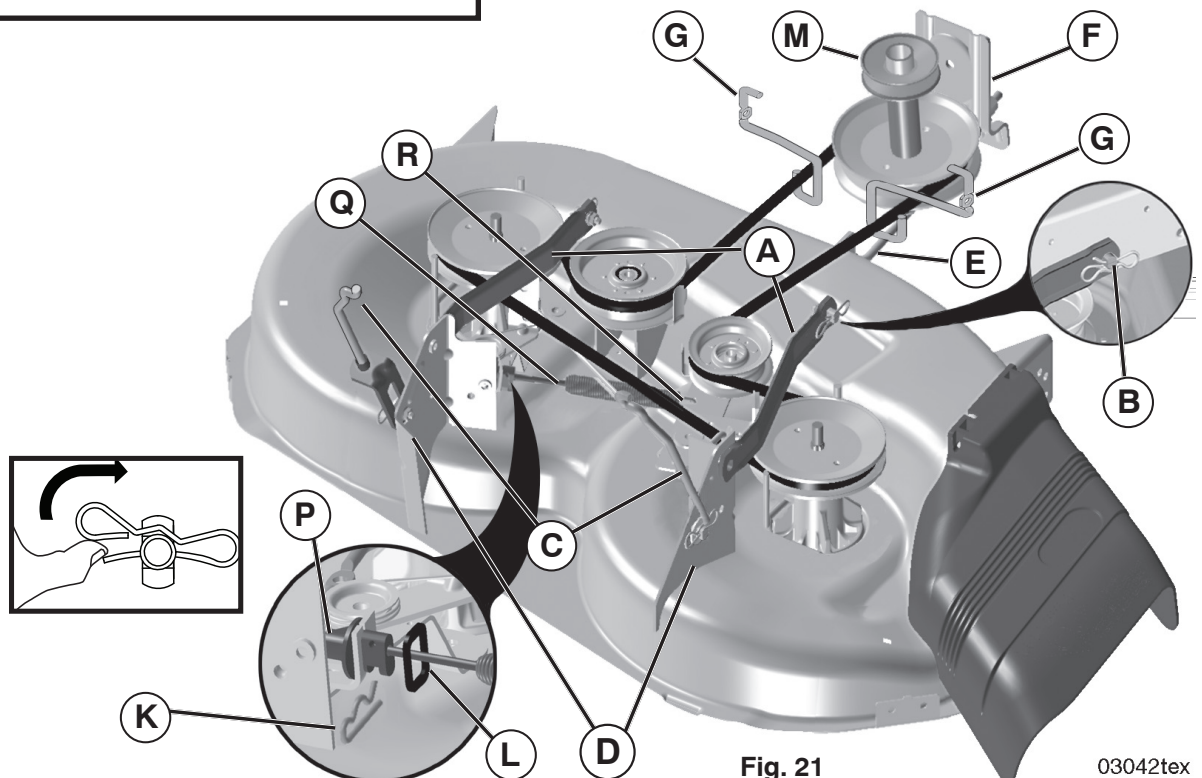


Fig. 21

03042tex



# SERVICIO Y AJUSTES

- Deslice la SEGADORA por debajo del tractor hasta que quede bien centrada debajo de éste.
- FIJE LOS BRAZOS DE SUSPENSIÓN LATERALES DE LA CORTADORA (A) AL CHASIS - Ubique el orificio del brazo encima de la clavija (B) que hay en la parte exterior del chasis del tractor, y fíjelo con una resorte de contención.

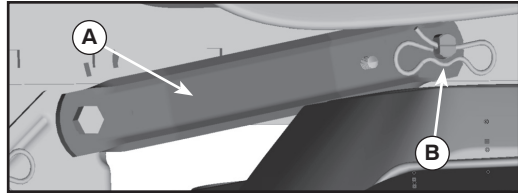


Fig. 22

- Realice el mismo procedimiento en el otro lado del tractor.
- FIJE LAS PIEZAS DE PROPULSIÓN POSTERIORES (C) – Levante la parte posterior de la cortadora, ubique la ranura de la pieza de unión (D) por encima de la clavija que hay en la barra posterior de la cortadora y fíjela con una arandela y un resorte de contención.

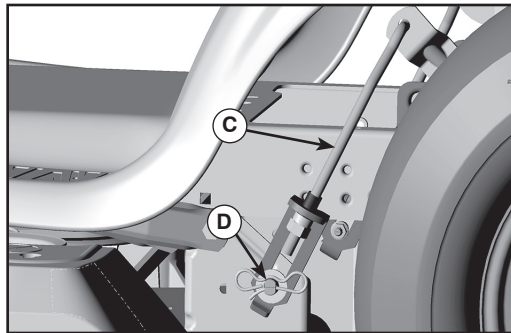


Fig. 23

- CONECTE LA CONEXION ANTERIOR (E) - Trabajo del dejó el lado de tractor. Meta el fin de la barra de la assembly de la conexión por orificio anterior en el tractor soporte anterior de suspensión (F).

- Meta el fin de la conexión (E) en el hoyo en el soporte anterior de orificio y conecte con arandela e Retén del resorte (J).
- Conecte el fin de la primavera de cable de embrague

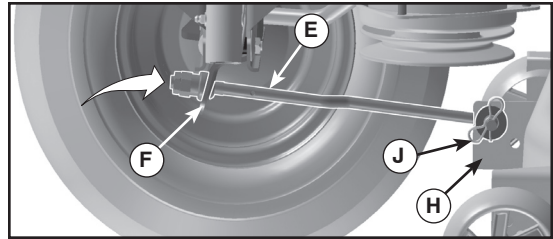


Fig. 24

- Retire el resorte de sujeción (K), deslice la abrazadera (L) hasta quitarla, y saque a presión la guía de la caja (P) hasta que se salga del soporte.
- Instale la correa pasándola por encima de la polea del motor (M)

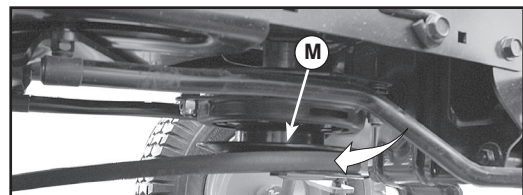


Fig. 25

**IMPORTANTE:** VERIFIQUE QUE LA CORREA ENCAJE BIEN EN TODAS LAS RANURAS DE LAS POLEAS DE LA CORTADORA.

- Suba la palanca elevadora a la posición de más arriba.
- Si es necesario, ajuste las rueditas del calibre antes de poner en funcionamiento la cortadora, como se ilustra en el capítulo de Manejo de este manual.

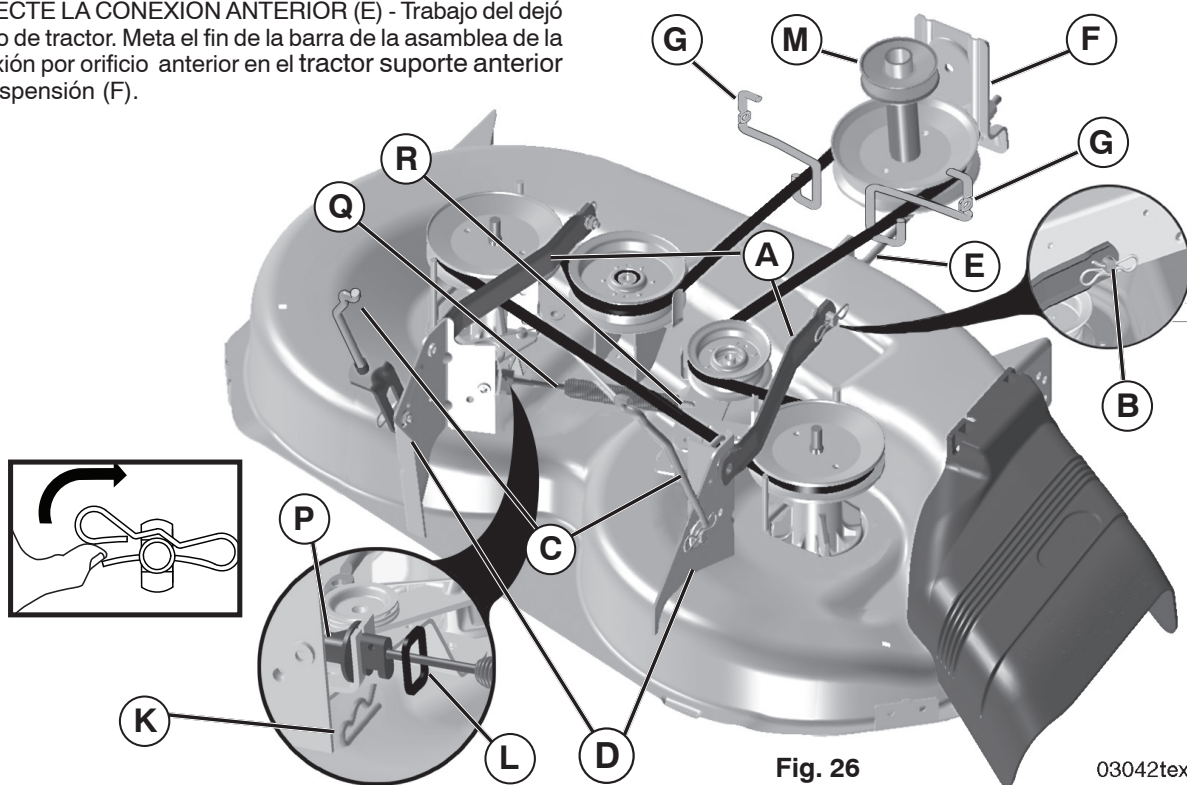


Fig. 26

03042tex

# SERVICIO Y AJUSTES

## PARA NIVELAR LA SEGADORA

Asegúrese de que los neumáticos estén inflados a la PSI que se indica en estos. Si están demasiado inflados o poco inflados, el césped no le quedará bien cortado, lo cual podrá llevarlo a pensar que la SEGADORA no está bien regulada.

### REGULACIÓN VISUAL DE LADO A LADO (Vea Fig. 27)

- Si todos los neumáticos están correctamente inflados y el césped parece haber quedado cortado desperejo, determine qué lado de la cortadora está cortando más al ras.
- Con una llave inglesa de 3/4" o de calibre regulable, haga girar hacia la izquierda la tuerca de ajuste de la pieza de unión (A) para bajar lado izquierdo la cortadora, o bien hágala girar hacia lado derecho la derecha para subirla.

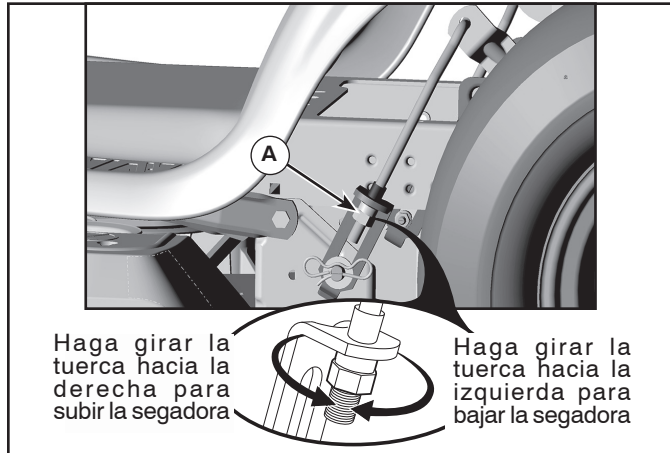


Fig. 27

**NOTA:** Cada vuelta completa de la tuerca de ajuste hará variar la altura de la cortadora aproximadamente 3/16".

- Pruebe la regulación realizada cortando césped que aún no haya cortado y observando cómo queda. Vuelva a ajustar, en caso necesario, hasta obtener resultados satisfactorios.

### REGULACIÓN DE LA PRECISIÓN DE LADO A LADO (Vea Fig. 28)

- Con todos los neumáticos correctamente inflados, estacione el tractor a nivel del suelo o en la entrada a la casa.

**⚠ CUIDADO: Las cuchillas son afiladas. Protéjase las manos con guantes o envuelva las cuchillas con tela gruesa, o bien haga ambas cosas.**

- Suba la SEGADORA a la posición más alta.
- A ambos lados de la cortadora, ubique la cuchilla hacia un lado y mida la distancia (A) que hay entre el borde inferior de la cuchilla y el suelo. Dicha distancia debe ser la misma a ambos lados.
- En caso que sea necesario realizar un ajuste, lea los paso 2 de las instrucciones de Regulación Visual que aparecen más arriba.
- Vuelva a verificar las medidas y ajuste nuevamente, en caso necesario, hasta que ambos lados queden iguales.

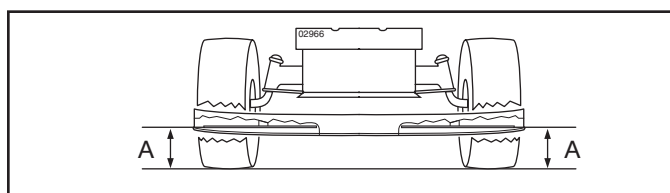


Fig. 28

## AJUSTE DE DELANTE A ATRÁS (Vea Fig. 29 y 30)

**IMPORTANTE:** El piso debe quedar bien nivelado de lado a lado.

Para que el césped le quede perfectamente cortado, las cuchillas de la cortadora deben ajustarse de tal manera que la punta anterior quede 1/8" a 3/8" más abajo que la punta posterior cuando la cortadora se encuentre en su posición más alta.

**⚠ CUIDADO: Las cuchillas son afiladas. Protéjase las manos con guantes o envuelva las cuchillas con tela gruesa, o bien haga ambas cosas.**

- Suba la SEGADORA a la posición más alta.
- Ubique cualquiera de las hojas de la cuchilla de tal manera que la punta quede apuntando directamente hacia adelante. Mida la distancia (B) que hay entre la punta anterior y el suelo y entre la punta posterior y el suelo.

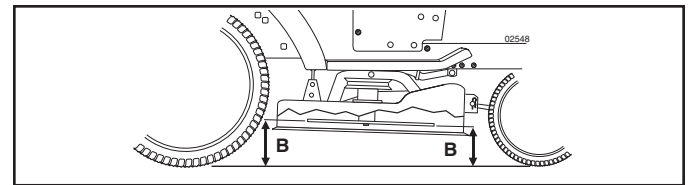


Fig. 29

- Si la punta anterior de la hoja de la cuchilla no está 1/8" a 3/8" más abajo que la punta posterior, diríjase a la parte de adelante del tractor.
- Con una llave inglesa de 11/16" o de calibre regulable, afloje la tuerca A, dándole varias vueltas para despejar la tuerca de ajuste B.
- Con una llave inglesa de 3/4" o de calibre regulable, haga girar la tuerca de ajuste de la pieza de unión anterior (B) en sentido horario (ajustar) para elevar la parte de adelante de la cortadora, o bien en sentido antihorario (aflojar) para bajarla.

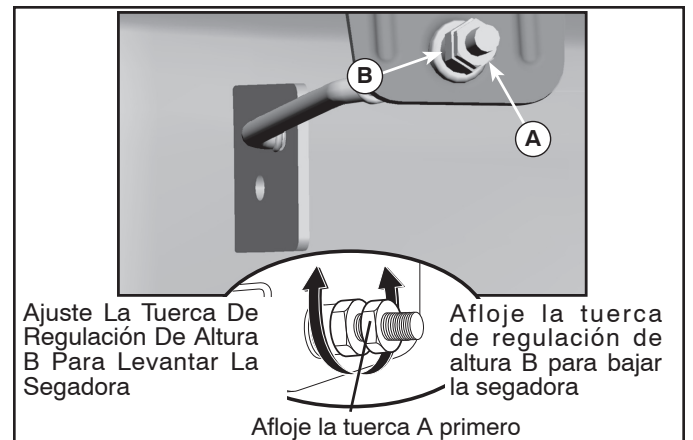


Fig. 30

**NOTA:** Cada vuelta completa de la tuerca de ajuste hará variar la altura de la cortadora 1/8".

- Vuelva a verificar las medidas y ajuste nuevamente, en caso necesario, hasta que la punta anterior de la hoja de la cuchilla quede 1/8" a 3/8" más abajo que la punta posterior.
- Mantenga en la posición la tuerca de ajuste por medio de una llave inglesa, y apriete bien la tuerca contra dicha tuerca de ajuste.



# SERVICIO Y AJUSTES

## PARA CAMBIAR LA CORREA DE LA CUCHILLA DE LA SEGADORA (Vea Fig. 31)

La correa de la cuchilla de la segadora se puede cambiar sin herramientas. Estacione el tractor en una superficie nivelada. Enganche el freno de estacionamiento.

### REMOCIÓN DE LA CORREA –

- Remueva la segadora del tractor (Vea “PARA REMOVER LA SEGADORA” de esta sección de este manual).
- Haga salir la correa de las poleas del mandril y de las poleas de guía.
- Tire la correa alejándola de la segadora.

### INSTALACIÓN DE LA CORREA

- Haga rodar la correa alrededor de ambas poleas del mandrin y de las poleas-guías.
- Asegúrese las correas estén en todas las ranuras de las poleas y al interior todas las guías de la correa.
- Instale la segadora (véa “ PARA INSTALAR LA SEGADORA ” en esta sección de este manual).

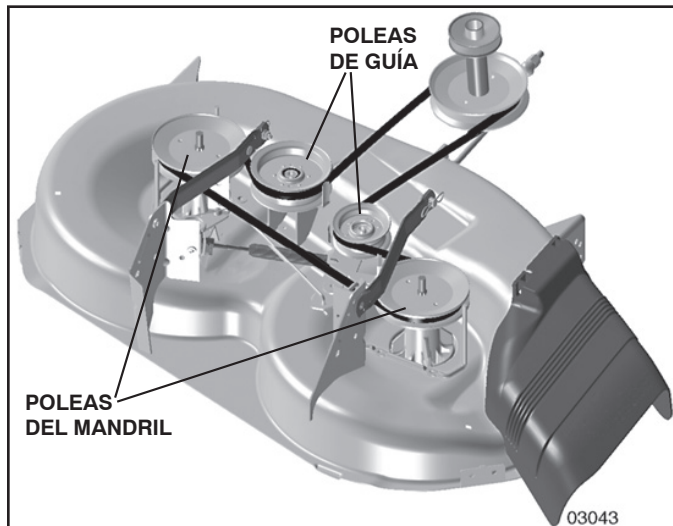


Fig. 31

## PARA REEMPLAZAR LA CORREA DE TRANSMISIÓN (Vea Fig. 32)

Estacione el tractor en una superficie nivelada. Ponga el freno de mano. Si necesita asistencia, del lado de abajo del apoyapiés hay una guía práctica para el montaje de la correa.

### DESMONTAJE DE LA CORREA

1. Desmonte la cortadora. (Ver “PARA DESMONTAR LA CORTADORA” en este capítulo del manual.)

**NOTE:** Observe toda la correa de transmisión y la posición de todas las guías y guardacorreas.

2. Retire la correa del piñón estacionario (A) y del piñón de embrague (B).
3. Retire la correa del piñón central (C).
6. Jale el cable de la correa hacia la parte de atrás del tractor. Con mucho cuidado, retire la correa de la polea de entrada de la transmisión, moviéndola hacia arriba y pasándola por encima de las paletas del ventilador (D).

4. Retire la correa de la polea del motor moviéndola hacia abajo (E).
5. Deslice la correa hacia la parte de atrás del tractor, retírela de la placa de dirección (F) y quítela del tractor.

### MONTAJE DE LA CORREA

1. Instale la correa nueva de la parte de atrás a la parte de adelante del tractor, pasándola por encima de la placa de dirección (F) y del vástago del pedal del embrague / freno (G).
2. Jale la correa hacia la parte de adelante del tractor y páselo por sobre la polea del motor (E).
3. Jale la correa hacia la parte de atrás del tractor. Con mucho cuidado, mueva la correa hacia abajo y pásela alrededor del ventilador de transmisión y por encima de la polea de entrada (D). Cerciórese de que la correa esté calzada dentro del guardacorrea.
4. Coloque la correa sobre el piñón central (C).
5. Pase la correa a través del piñón estacionario (A) y del piñón del embrague (B).
6. Asegúrese de que la correa calce en todas las ranuras de las poleas y dentro de todas las guías y guardacorreas.
5. Instale la segadora. (Ver “INSTALE LA SEGADORA” en este capítulo del manual.)

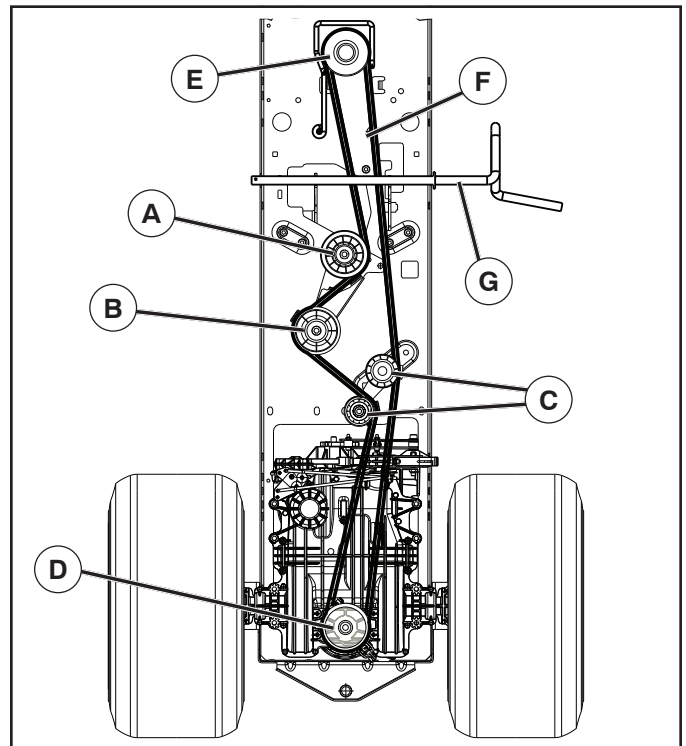


Fig. 32

# SERVICIO Y AJUSTES

## CONTROLAR Y AJUSTAR EL FRENO

Si el tractor exige más de cinco (5) pies para pararse a una velocidad más alta en el cambio más alto en una superficie nivelada de hormigón seco o pavimentada, entonces se debe controlar y ajustar el freno.

### CONTROL DEL FRENO

- Aparcar el tractor en una superficie nivelada de hormigón seco o pavimentada, presionar el pedal del freno hasta el fondo y accionar el freno de estacionamiento.
- Desembragar la transmisión colocando el mando de la rueda libre en la posición "transmisión desembragada". Tirar el mando de la rueda libre fuera y dentro la ranura y soltar así se coloca en la posición desembragada.

Las ruedas traseras tiene que bloquearse y patinar cuando se intenta empujar hacia adelante el tractor manualmente. Sustituir las zapatas del freno o contactar otro centro de servicio cualificado.

### PARA REMOVER LAS RUEDAS (Vea Fig. 33)

- Bloquee el eje en forma segura.
- Remueva la cubierta del eje, el anillo de retención y las arandelas para permitir la remoción de las ruedas (la rueda trasera contiene una llave cuadrada - no la pierda).
- Repare la llanta y vuélvala a montar.

**AVISO:** En las ruedas traseras solamente: alinee las ranuras en el cubo de la rueda trasera en el eje. Inserte la llave cuadrada.

- Vuelva a colocar las arandelas e inserte el anillo de retención en forma segura en la ranura del eje.
- Vuelva a colocar la cubierta del eje.

**AVISO:** Para arreglar las llantas perforadas y péra prevenir que tenga llantas pinchadas a causa de pequeñas fugas, comprar de su comerciante y utilizar el sello para llantas. El sello previene que las llantas se sequen y también la corrosión.

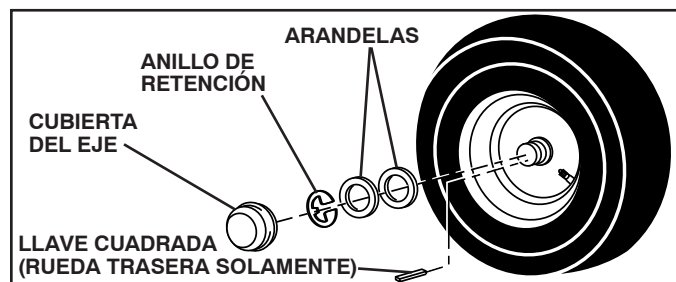


Fig. 33

## IMPRESIÓN / INCLINACIÓN DE LAS RUEDAS DELANTERAS

La impresión e inclinación de las ruedas delanteras de su nuevo tractor vienen así de fábrica y son normales. La impresión y la inclinación de las ruedas delanteras no son regulables. En caso que se produzca algún daño que afecte la impresión o la inclinación de las ruedas delanteras tal como vinieron de fábrica, póngase en contacto con un centro de servicios u otro centro de servicios autorizado.

## PARA HACER ARRANCAR EL MOTOR CON UNA BATERÍA BAJA (Vea Fig. 34)



**ADVERTENCIA:** Las baterías de ácido-plomo generan gases explosivos. Mantenga las chispas, las llamas y los materiales para fumar alejados de las baterías. Siempre use una protección para los ojos alrededor de las baterías.

Si su batería está demasiado baja como para hacer arrancar el motor tiene que volverse a cargar. (Vea "Batería" en la sección de Mantenimiento de este manual).

Si se usan "cables de empalme" para un arranque de emergencia, siga este procedimiento:

**IMPORTANTE:** SU TRACTOR ESTA EQUIPADO CON UN SISTEMA DE 12 VOLTS. EL OTRO VEHÍCULO TAMBIÉN TIENE QUE TENER UN SISTEMA DE 12 VOLTS. NO USE LA BATERÍA DE SU TRACTOR PARA HACER ARRANCAR A OTROS VEHÍCULOS.

### PARA ADJUNTAR LOS CABLES DE EMPALME –

- Conecte cada extremo del cable ROJO con el terminal (A-B) POSITIVO (+) de cada batería, preocupándose de no hacer cortocircuito en el chasis.
- Conecte un extremo del cable NEGRO con el terminal (C) NEGATIVO (-) de una batería completamente cargada.
- Conecte el otro extremo del cable (D) NEGRO con una buena CONEXIÓN A TIERRA DEL CHASIS, alejado del estanque de combustible y de la batería.

### PARA REMOVER LOS CABLES, INVIERTA EL ORDEN

- El cable NEGRO primero del chasis y luego de la batería completamente cargada.
- El cable ROJO al último de ambas baterías.

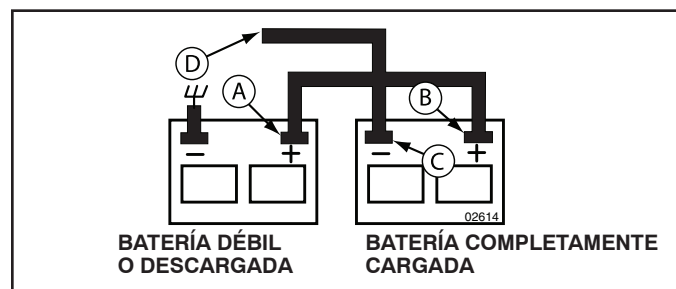


Fig. 34

# SERVICIO Y AJUSTES

## REEMPLAZAR LA BATERIA (Vea Fig. 35)



**ADVERTENCIA:** No haga cortocircuito con los terminales de la batería al permitir que una llave de tuerca o cualquier otro objeto entre en contacto con ambos terminales a la misma vez. Antes de instalar la batería remueva las pulseras de metal, los relojes de pulsera de metal, los anillos, etc. El terminal positivo tiene que conectarse primero para evitar las chispas debido a la conexión a tierra por accidente.

- Levantamos la capota a la posición levantada.
- Desconecte el cable de la batería NEGRO primero y luego el cable de la batería ROJO y remueva la batería del tractor.
- Instale la nueva batería con los términos en misma posición como la batería vieja.
- Reemplazamos cubierta terminal.
- Primero, conecte el cable de la batería ROJO con el terminal positivo (+) con el perno hexagonal y la tuerca según se muestra. Apriételes en forma segura.
- Conecte el cable de conexión a tierra NEGRO al terminal negativo (-) con el perno hexagonal y la tuerca que queden. Apriételes en forma segura.
- Cerramos la capota.

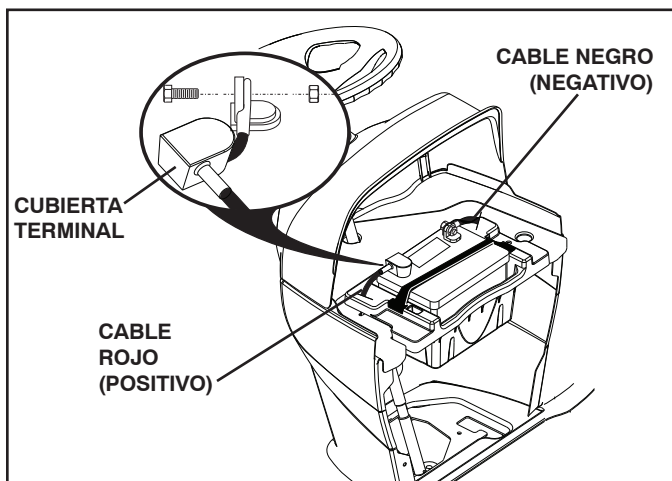


Fig. 35

## PARA CAMBIAR LA BOMBILLA DE LA LUZ DELANTERA

- Levante el capota.
- Tire el sujetador de la bombilla fuera del agujero en la parte trasera del enrejado.
- Cambie la bombilla en el sujetador y empuje el sujetador de la bombilla, en forma segura, hacia atrás en el agujero en la parte trasera del enrejado.
- Cierre el capota.

## ENTRECIERRE Y RELÉS

El alambrado suelto o dañado puede producir el mal funcionamiento de su tractor, o que deje de funcionar, o le impida el arrancar.

- Revise el alambrado.

## PARA CAMBIAR EL FUSIBLE

Cámbielo por un fusible tipo enchufable de 30 amps, tipo automotriz. El sujetador del fusible está ubicado detrás del tablero.

## PARA REMOVER EL CONJUNTO DEL CAPOTA Y DEL ENREJADO (Vea Fig. 36)

- Levante el capota.
- Desabroche el conector del alambre de las luces delanteras.
- Párese delante del tractor. Agarre el capota en los lados, inclínelo un poco hacia el motor y sáquelo del tractor.
- Para volver a instalar el capota, asegúrese de volver a conectar el conector del alambre de las luces.

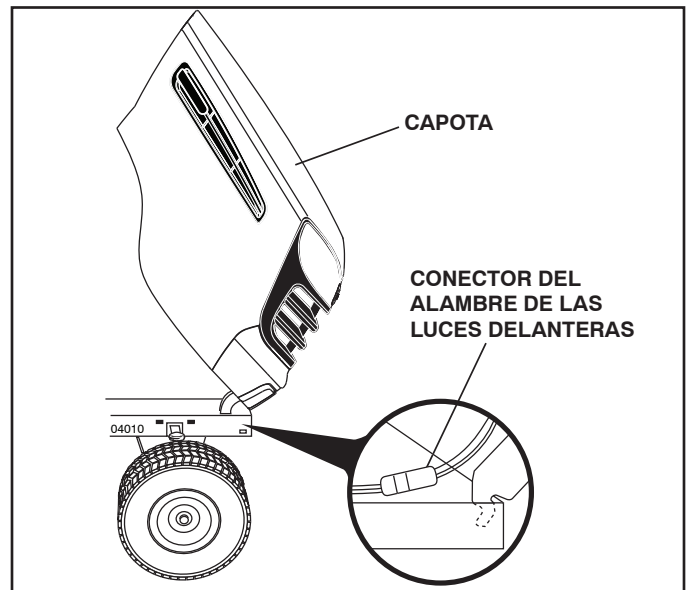


Fig. 36

## MOTOR

### PARA AJUSTAR EL CABLE DE CONTROL DE LA ACELERACIÓN

El control de la aceleración ha sido preajustado en la fábrica y no debería necesitar ajustes. Revise los ajustes que se describen a continuación, antes de soltar el cable. Si el ajuste es necesario, vea de manual de motor.

### PARA AJUSTAR EL CONTROL DE ESTRANGULACIÓN

El control de la estrangulación ha sido preajustado en la fábrica y no debería necesitar ajustes.

### PARA AJUSTAR EL CARBURADOR

El carburador ha sido preajustado en la fábrica y no debería necesitar ajustes. Sin embargo, se pueden necesitar ajustes de menor importancia para compensar por las diferencias en el combustible, temperatura, altura o carga. Si el carburador necesita ajustes, vea de manual de motor.

# ALMACENAMIENTO

Inmediatamente prepare su tractor para el almacenamiento al final de la temporada o si el tractor no se va a usar por 30 días o más.



**Advertencia: Nunca almacene el tractor con gasolina en el estanco dentro de un edificio en donde los gases pueden alcanzar una llama expuesta o una chispa. Permita que el motor se enfríe antes de almacenarlo en cualquier recinto privado.**

## TRACTOR

Remueva la segadora del tractor para el almacenamiento por el invierno. Cuando la segadora se va a almacenar por cierto período de tiempo, límpiela cuidadosamente, quite toda la mugre, la grasa, las hojas, etc. Guárdela en una área limpia y seca.

- Limpie todo el tractor (vea “LIMPIEZA” en la sección de Mantenimiento en este manual).
- Inspeccione y cambie las correas, si es necesario (vea las instrucciones para el cambio de las correas en la sección de Servicio y Ajustes de este manual).
- Lubríquelo, según se muestra en la sección de Mantenimiento de este manual.
- Asegúrese que todas las tuercas, los pernos y los tornillos estén sujetos en forma segura. Inspeccione las partes movibles para verificar si hay daño, rotura o desgaste. Cámbielas si es necesario.
- Retoque todas superficies pintadas oxidadas o picadas; aplique lija antes de pintar.

## BATERÍA

- Cargue la batería completamente antes de guardarla.
- Después de cierto período de tiempo en almacenamiento, la batería puede necesitar volver a cargarse.
- Para ayudar a evitar la corrosión y las fugas de potencia durante largos períodos de almacenamiento, se deben desconectar los cables de la batería y se debe limpiar cuidadosamente (vea “PARA LIMPIAR LA BATERÍA Y LOS TERMINALES” en la sección de Mantenimiento de este manual).
- Después de limpiarla, deje los cables desconectados y póngalos en donde no puedan entrar en contacto con los terminales de la batería.
- Si se remueve la batería del tractor para el almacenamiento, no la guarde directamente sobre concreto o sobre superficies húmedas.

## MOTOR

### SISTEMA DE COMBUSTIBLE

**IMPORTANTE:** Es importante evitar que se formen depósitos de goma en partes fundamentales del sistema de combustible tales como el carburador, el filtro del combustible, la manguera del combustible mezclados con alcohol (conocido como gasohol o que tienen etanol o metanol) pueden atraer humedad, lo que conduce a la separación y a la formación de acidos durante el almacenamiento. La gasolina ácida puede dañar el sistema de combustible de un motor durante el período de almacenamiento.

- Vaciar el depósito del carburante poniendo en marcha el motor y dejándolo funcionar hasta que el carburante termine el carburador esté vacío.
- Nunca use los productos para limpieza del carburador o del motor en el estanco de combustible pues se pueden producir daños permanentes.
- Use combustible nuevo la próxima temporada.

**AVISO:** El estabilizador de combustible es una alternativa aceptable para reducir a un mínimo la formación de depósitos de goma en el combustible durante el período de almacenamiento. Agregue estabilizador a la gasolina en el estanco de combustible o en el envase para el almacenamiento. Siempre siga la proporción de mezcla que se encuentra en el envase del estabilizador. Haga funcionar el motor por lo menos 10 minutos después de agregar el estabilizador, para permitir que éste llegue al carburador. No vaciar la gasolina del estanco de gasolina y el carburador si se está usando estabilizador de combustible.

### ACEITE DEL MOTOR

Drene el aceite (con el motor caliente) y cámbielo con aceite de motor limpio. (Vea “MOTOR” en la sección de “MANTENIMIENTO” de este manual.)

### CILINDRO(S)

- Remueva la(s) bujía(s).
- Vacíe una onza de aceite a través del agujero(s) de la bujía en el cilindro(s).
- Gire la llave de ignición a la posición de “ARRANQUE” (START), por unos cuantos segundos para distribuir el aceite.
- Cambie por bujía(s) nueva(s).

### OTROS

- No guarde la gasolina de una temporada a la otra.
- Cambie el envase de la gasolina si se empieza a oxidar. La oxidación y/o la mugre en su gasolina producirán problemas.
- Si es posible, guarde su unidad en un recinto cerrado y cúbrala para protegerla contra el polvo y la mugre.
- Cubra su unidad con un forro protector adecuado que no retenga la humedad. No use plástico. El plástico no puede respirar, lo que permite la formación de condensación, lo que producirá la oxidación de su unidad.

**IMPORTANTE:** NUNCA CUBRA EL TRACTOR MIENTRAS EL MOTOR Y LAS ÁREAS DE ESCAPE TODAVÍA ESTÁN CALIENTES.

# IDENTIFICACIÓN DE PROBLEMAS

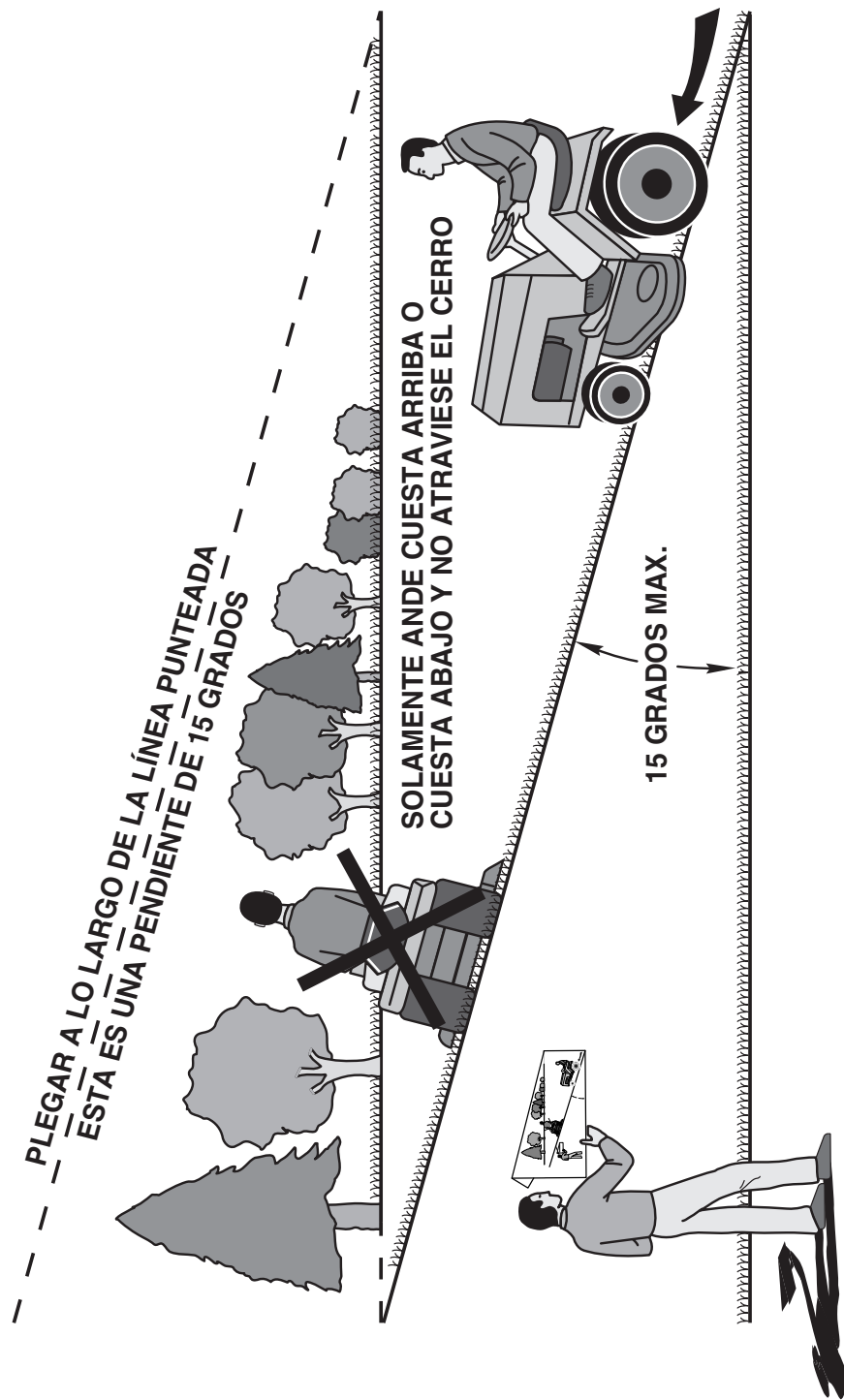
PROBLEMA	CAUSA	CORRECCIÓN
<b>No arranca</b>	<ol style="list-style-type: none"> <li>1. Sin combustible.</li> <li>2. Motor sin la "ESTRANGULACIÓN" (CHOKE) adecuada.</li> <li>3. Motor ahogado.</li> <li>4. Bujía mala.</li> <li>5. Filtro de aire sucio.</li> <li>6. Filtro de combustible sucio.</li> <li>7. Agua en el combustible.</li> <li>8. Alambrado suelto o dañado.</li> <li>9. Carburador desajustado.</li> <li>10. Válvulas del motor desajustadas.</li> </ol>	<ol style="list-style-type: none"> <li>1. Llene el estanque de combustible.</li> <li>2. Vea "PARA HACER ARRANCAR EL MOTOR" en la sección de operación.</li> <li>3. Espere varios minutos antes de tratar de arrancar.</li> <li>4. Cambie la bujía.</li> <li>5. Limpie/cambie el filtro de aire.</li> <li>6. Cambie el filtro de combustible.</li> <li>7. Vaciar el estanque de combustible y el carburador, vuelva a llenar el estanque con gasolina nueva cambie el filtro de combustible.</li> <li>8. Revise todo el alambrado.</li> <li>9. Vea "PARA AJUSTAR EL CARBURADOR" en la sección de Servicio y Ajustes.</li> <li>10. Pongase en contacto con un centro de servicio cualificado.</li> </ol>
<b>Difícil de arrancar</b>	<ol style="list-style-type: none"> <li>1. Filtro de aire sucio.</li> <li>2. Bujía mala.</li> <li>3. Batería baja o descargada.</li> <li>4. Filtro de combustible sucio.</li> <li>5. Combustible rancio o sucio.</li> <li>6. Alambrado suelto o dañado.</li> <li>7. Carburador desajustado.</li> <li>8. Válvulas del motor desajustadas.</li> </ol>	<ol style="list-style-type: none"> <li>1. Limpie/cambie el filtro de aire.</li> <li>2. Cambie la bujía.</li> <li>3. Vuelva a cargar o cambie la batería.</li> <li>4. Cambie el filtro de combustible.</li> <li>5. Vaciar el estanque de combustible y vuelva a llenarlo con gasolina nueva.</li> <li>6. Revise todo el alambrado.</li> <li>7. Vea "PARA AJUSTAR EL CARBURADOR" en la sección de Servicio y Ajustes.</li> <li>8. Pongase en contacto con un centro de servicio cualificado.</li> </ol>
<b>El motor no la vuelta</b>	<ol style="list-style-type: none"> <li>1. Pedal del freno no presionado.</li> <li>2. El embrague del accesorio está enganchado.</li> <li>3. Batería baja o descargada.</li> <li>4. Fusible quemado.</li> <li>5. Terminales de la batería corroídos.</li> <li>6. Alambrado suelto o dañado.</li> <li>7. Interruptor de la ignición fallado.</li> <li>8. Solenoide o arrancador fallados.</li> <li>9. Interruptor(es) que exige(n) la presencia del operador fallado.</li> </ol>	<ol style="list-style-type: none"> <li>1. Presione el pedal del freno.</li> <li>2. Desenganche el embrague del accesorio.</li> <li>3. Vuelva a cargar o cambie la batería.</li> <li>4. Cambie el fusible.</li> <li>5. Limpie los terminales de la batería.</li> <li>6. Revise todo el alambrado.</li> <li>7. Revise/cambie el interruptor de la ignición.</li> <li>8. Revise/cambie el solenoide o arrancador.</li> <li>9. Póngase en contacto con un centro de servicio cualificado.</li> </ol>
<b>El motor suena pero no arranca</b>	<ol style="list-style-type: none"> <li>1. Batería baja o descargada</li> <li>2. Terminales de la batería corroídos.</li> <li>3. Alambrado suelto o dañado.</li> <li>4. Solenoide o arrancador fallados.</li> </ol>	<ol style="list-style-type: none"> <li>1. Vuelva a cargar o cambie la batería.</li> <li>2. Limpie los terminales de la batería.</li> <li>3. Revise todo el alambrado.</li> <li>4. Revise/cambie el solenoide o arrancador.</li> </ol>
<b>Pérdida de fuerza</b>	<ol style="list-style-type: none"> <li>1. Corta mucho césped, muy rápido.</li> <li>2. Aceleración en la posición de "ESTRANGULACIÓN" (CHOKE).</li> <li>3. Acumulación de césped, hojas y basura debajo de la segadora.</li> <li>4. Filtro de aire sucio.</li> <li>5. Nivel de aceite bajo/aceite sucio.</li> <li>6. Bujía fallada.</li> <li>7. Filtro de combustible sucio.</li> <li>8. Combustible rancio o sucio.</li> <li>9. Agua en el combustible.</li> <li>10. Alambrado de la bujía suelto.</li> <li>11. Rejilla/aletas de aire del motor sucias.</li> <li>12. Silenciador sucio/taponado.</li> <li>13. Alambrado suelto o dañado.</li> <li>14. Carburador desajustado.</li> <li>15. Válvulas del motor desajustadas.</li> </ol>	<ol style="list-style-type: none"> <li>1. Eleve la altura de corte/reduzca la velocidad</li> <li>2. Ajuste el control de la aceleración.</li> <li>3. Limpie la parte inferior de la cajade la segadora.</li> <li>4. Limpie/cambie el filtro de aire.</li> <li>5. Revise el nivel de aceite/cambie el aceite.</li> <li>6. Limpie y vuelva a ajustar la abertura o cambie la bujía.</li> <li>7. Cambie el filtro de combustible.</li> <li>8. Vaciar el estanque de combustible y vuelva a llenarlo con gasolina nueva.</li> <li>9. Vaciar el estanque de combustible y el carburador, vuelva a llenar el estanque con gasolina nueva y cambie el filtro de combustible.</li> <li>10. Conecte y apriete el alambre de la bujía.</li> <li>11. Limpie las rejilla/aletas de aire del motor.</li> <li>12. Limpie/cambie el silenciador.</li> <li>13. Revise todo el alambrado.</li> <li>14. Vea "PARA AJUSTAR EL CARBURADOR" en la sección de Servicio y Ajustes.</li> <li>15. Pongase en contacto con un centro de servicio cualificado.</li> </ol>




# IDENTIFICACIÓN DE PROBLEMAS

PROBLEMA	CAUSA	CORRECCIÓN
<b>Vibración excesiva</b>	<ol style="list-style-type: none"> <li>1. Cuchilla desgastada, doblada o suelta.</li> <li>2. Mandril de la cuchilla doblado.</li> <li>3. Parte(s) suelta(s)/dañada(s).</li> </ol>	<ol style="list-style-type: none"> <li>1. Cambie la cuchilla. Apriete el perno de la cuchilla.</li> <li>2. Cambie el mandril de la cuchilla.</li> <li>3. Apriete la(s) parte(s). Cambie las partes dañadas.</li> </ol>
<b>El motor continúa funcionando cuando el operador se baja del asiento con el embrague del accesorio enganchado</b>	<ol style="list-style-type: none"> <li>1. Sistema de control que exige la presencia del operador –seguridad fallado.</li> </ol>	<ol style="list-style-type: none"> <li>1. Revise el alambrado, los interruptores y las conexiones. Si no están correctas, pongase en contacto con un centro de servicio cualificado.</li> </ol>
<b>El corte disperejo</b>	<ol style="list-style-type: none"> <li>1. Cuchilla desgastada, doblada o suelta.</li> <li>2. El conjunto segador no está nivelado.</li> <li>3. Acumulación de césped, hojas y basura debajo de la segadora.</li> <li>4. Mandril de la cuchilla doblado.</li> <li>5. Los agujeros de ventilación del conjunto segador taponados debido a la acumulación de césped, hojas y basura alrededor de los mandriles.</li> </ol>	<ol style="list-style-type: none"> <li>1. Cambie la cuchilla. Apriete el perno de la cuchilla.</li> <li>2. Nivele el conjunto segador.</li> <li>3. Limpie la parte inferior de la caja de la segadora.</li> <li>4. Cambie el mandril de la cuchilla.</li> <li>5. Limpie alrededor de los mandriles para abrir los de ventilación.</li> </ol>
<b>Las cuchillas segadoras no rotan</b>	<ol style="list-style-type: none"> <li>1. Obstrucción en el mecanismo del embrague.</li> <li>2. La correa de impulsión de la segadora está desgastada/dañada.</li> <li>3. Polea de guía atascada.</li> <li>4. Mandril de la cuchilla atascado.</li> </ol>	<ol style="list-style-type: none"> <li>1. Remueva la obstrucción.</li> <li>2. Cambie la correa de impulsión de la segadora.</li> <li>3. Cambie la polea de guía.</li> <li>4. Cambie el mandril de la cuchilla.</li> </ol>
<b>Mala descarga del césped</b>	<ol style="list-style-type: none"> <li>1. Velocidad del motor muy lenta.</li> <li>2. Velocidad de recorrido demasiado rápida.</li> <li>3. Césped mojado.</li> <li>4. El conjunto segador no está nivelado.</li> <li>5. Presión de aire de las llantas baja o dispereja.</li> <li>6. Cuchilla desgastada, doblada o suelta.</li> <li>7. Acumulación de césped, hojas y basura debajo de la segadora.</li> <li>8. La correa de impulsión de la segadora está desgastada o desajustada.</li> <li>9. Las cuchillas están mal con instaladas.</li> <li>10. Cuchillas inadecuadas en uso.</li> <li>11. Los agujeros de ventilación del conjunto segador taponados debido a la acumulación de césped, hojas y basura alrededor de los mandriles.</li> </ol>	<ol style="list-style-type: none"> <li>1. Ponga el control de la aceleración en la posición de "RÁPIDO" (fast).</li> <li>2. Cambie a una velocidad más lenta.</li> <li>3. Permita que se seque el césped antes de segar.</li> <li>4. Nivele el conjunto segador.</li> <li>5. Revise las llantas para verificar que tienen la presión de aire.</li> <li>6. Cambie/afile la cuchilla. Apriete el perno de la cuchilla.</li> <li>7. Limpie la parte inferior de la caja de la segadora.</li> <li>8. Cambie/ajuste la correa de impulsión de la segadora.</li> <li>9. Vuelva a instalar las cuchillas el borde afilado hacia abajo.</li> <li>10. Cambie por las cuchillas enumeradas en este manual.</li> <li>11. Limpie alrededor de los mandriles para abrir los de ventilación.</li> </ol>
<b>Las luz (ces) de lantera(s) no funcionando</b>	<ol style="list-style-type: none"> <li>1. El interruptor está "APAGADO" (OFF).</li> <li>2. Bombilla(s) o lámpara(s) quemada(s).</li> <li>3. Interruptor de la luz fallado.</li> <li>4. Alambrado suelto o dañado.</li> <li>5. Fusible quemado.</li> </ol>	<ol style="list-style-type: none"> <li>1. "ENCIENDA" (ON) el interruptor.</li> <li>2. Cambie la bombilla(s) o lámpara(s).</li> <li>3. Revise/cambie el interruptor de la luz.</li> <li>4. Revise el alambrado y las conexiones.</li> <li>5. Cambie el fusible.</li> </ol>
<b>La batería no carga</b>	<ol style="list-style-type: none"> <li>1. Elemento(s) de la batería malo(s).</li> <li>2. Malas conexiones de cables.</li> <li>3. Regulador fallado (si equipado).</li> <li>4. Alternador fallado.</li> </ol>	<ol style="list-style-type: none"> <li>1. Cambie la batería.</li> <li>2. Revise/limpie todas las cables.</li> <li>3. Cambie el regulador.</li> <li>4. Cambie el alternador.</li> </ol>
<b>Pérdida de impulsión</b>	<ol style="list-style-type: none"> <li>1. El control de rueda libre está en la posición "DESENGANCHADO" (disengaged).</li> <li>2. Residuos en la placa de dirección. (Si los tiene)</li> <li>3. La correa de impulsión de movimiento.</li> <li>4. Llave cuadrada de eje es ausente.</li> </ol>	<ol style="list-style-type: none"> <li>1. Ponga el control de rueda libre en la posición "ENGANCHADO" (disengaged).</li> <li>2. Vea "LIMPIEZA" en la sección de Mantenimiento de este manual.</li> <li>3. Reemplace la correa de movimiento si está gastada, dañada o rota.</li> <li>4. Vea "PARA REMOVER LAS RUEDAS" en la sección de Servicio y Ajustes de este manual.</li> </ol>
<b>El motor tiene "contraexplosiones" cuando se "APAGA"</b>	<ol style="list-style-type: none"> <li>1. El control de la aceleración del motor no fue ajustado en la posición de velocidad media y máxima (rápida) antes de para el motor.</li> </ol>	<ol style="list-style-type: none"> <li>1. Mueva el control de la aceleración a la posición de velocidad media y máxima (rápida) antes de para el motor.</li> </ol>
<b>El tractor se ponen marcha atrás</b>	<ol style="list-style-type: none"> <li>1. El sistema de funcionamiento atrás (ROS) no está "ON", cuando enganche la segadora o otro accesorio.</li> </ol>	<ol style="list-style-type: none"> <li>1. Girar el ROS en la posición "ON". Vea la sección de operación.</li> </ol>

## GUÍA SUGERIDA PARA MEDIR LAS PENDIENTES CON LA VISTA PARA UNA OPERACIÓN SEGURA



 **ADVERTENCIA:** Para evitar daños graves, haga funcionar su tractor arriba y abajo de las pendientes, nunca transversalmente con respecto a las pendientes. No cortar pendientes mayores de 15 grados. Haga los virajes gradualmente para evitar volcarse o la pérdida de control. Tenga mucho cuidado cuando cambie de dirección en las pendientes.

1. Plegar esta página a lo largo de la línea punteada arriba indicada.
2. Tener la página ante de sí mismos de modo que su borde izquierdo sea vertical paralelo al tronco del árbol u otra estructura vertical.
3. Mirar a través del pliegue en dirección de la pendiente que se quiere medir.
4. Comparar el ángulo del pliegue con la pendiente del terreno.

## GARANTÍA LIMITADO

El fabricante le garantiza al comprador consumidor original que este producto no tendrá defectos en los materiales ni en la mano de obra. Le repararemos o reemplazaremos, a nuestra opción, cualquier pieza que encontremos defectuosa a causa de los materiales o mano de obra, sin incluir los costos de las piezas o de mano de obra incurridos en el reemplazo de las piezas y durante un período de tres (3) años desde la fecha de compra del comprador consumidor original. Esta garantía está sujeta a las siguientes limitaciones y exclusiones.

1. Esta garantía no se aplica al motor, a los componentes del transeje/transmisión, a la batería (excepto lo que se expresa a continuación) ni partes componentes de estos. Consulte la garantía del fabricante correspondiente a estos artículos.
2. Los costos de transporte ocasionados por el traslado de cualquier unidad o accesorio de equipos motorizados son responsabilidad del comprador. El comprador debe pagar los costos de transporte de cualquiera de las piezas enviadas para su reemplazo en garantía, excepto cuando el reemplazo haya sido solicitado por el fabricante.
3. Garantía de la batería: En los productos equipados con baterías, le reemplazaremos, sin costo al comprador, cualquier batería que encontremos defectuosa en su fabricación durante los primeros noventa (90) días de posesión. Después de noventa (90) días, le cambiaremos la batería, con un costo del 1/12 del precio de una batería nueva por cada mes completo desde la venta original. La batería debe ser conservada de acuerdo con las instrucciones provistas.
4. El período de garantía para cualquier producto utilizado con fines comerciales o de alquiler está limitado a 90 días desde la fecha original de compra.
5. Esta garantía se aplica solo a productos que han sido ensamblados, ajustados, operados y conservados correctamente y de acuerdo con las instrucciones provistas. Esta garantía no se aplica a ningún producto que haya estado sujeto a alteraciones, uso indebido, abuso, ensamblado o instalación incorrectas, daños por envío o al desgaste natural del producto.
6. Exclusiones: Se excluyen de esta garantía las correas, las cuchillas, los adaptadores de las cuchillas, el desgaste natural, los ajustes normales, los accesorios estándares y el mantenimiento normal.
7. En caso de tener que hacer un reclamo durante el periodo de vigencia de esta garantía, deberá devolver el producto a un distribuidor de servicio autorizado.

En caso de tener preguntas sobre esta garantía, póngase en contacto con:

HOP  
Outdoor Products Customer Service Dept.  
9335 Harris Corners Parkway  
Charlotte, NC 28269 USA

En Canadá:  
HOP  
5855 Terry Fox Way  
Mississauga, Ontario  
L5V 3E4

Proporcione el número de modelo, número de serie y fecha de compra del producto, y el nombre y dirección del distribuidor autorizado donde compró el producto.

**ESTA GARANTÍA NO SE APLICA A DAÑOS INCIDENTALES O CONSECUENTES Y CUALQUIER GARANTÍA IMPLÍCITA ESTÁ LIMITADA A LOS MISMOS PLAZOS AQUÍ ESTABLECIDOS POR NUESTRAS GARANTÍAS EXPRESAS.** Algunas jurisdicciones no permiten la limitación de daños consecuentes o limitaciones sobre el periodo de duración de una garantía implícita, por lo que las limitaciones o exclusiones anteriormente detalladas pueden no aplicarse en su caso. Esta garantía le otorga derechos legales específicos y es posible que usted goce de otros derechos que varían de localidad en localidad.

Esta es una garantía limitada según se define en la Ley Magnuson-Moss de 1975.

