

REPAIR PARTS MANUAL
MODEL NO. MC19538LT (96048002301)
LAWN TRACTOR



McCULLOCH

HOW TO USE THIS MANUAL

This manual is designed to provide the customer with a means to identify the parts on his/her tractor when ordering parts. The illustrations may or may not represent the actual assemblies; therefore, it is not recommended to use this manual as a guide to assemble or disassemble the tractor. Some hardware and parts are drawn larger in order to more readily identify them.

Each tractor has its own model number.

The model number for your tractor can be found on the fender under the seat.

When ordering parts, always give the following information:

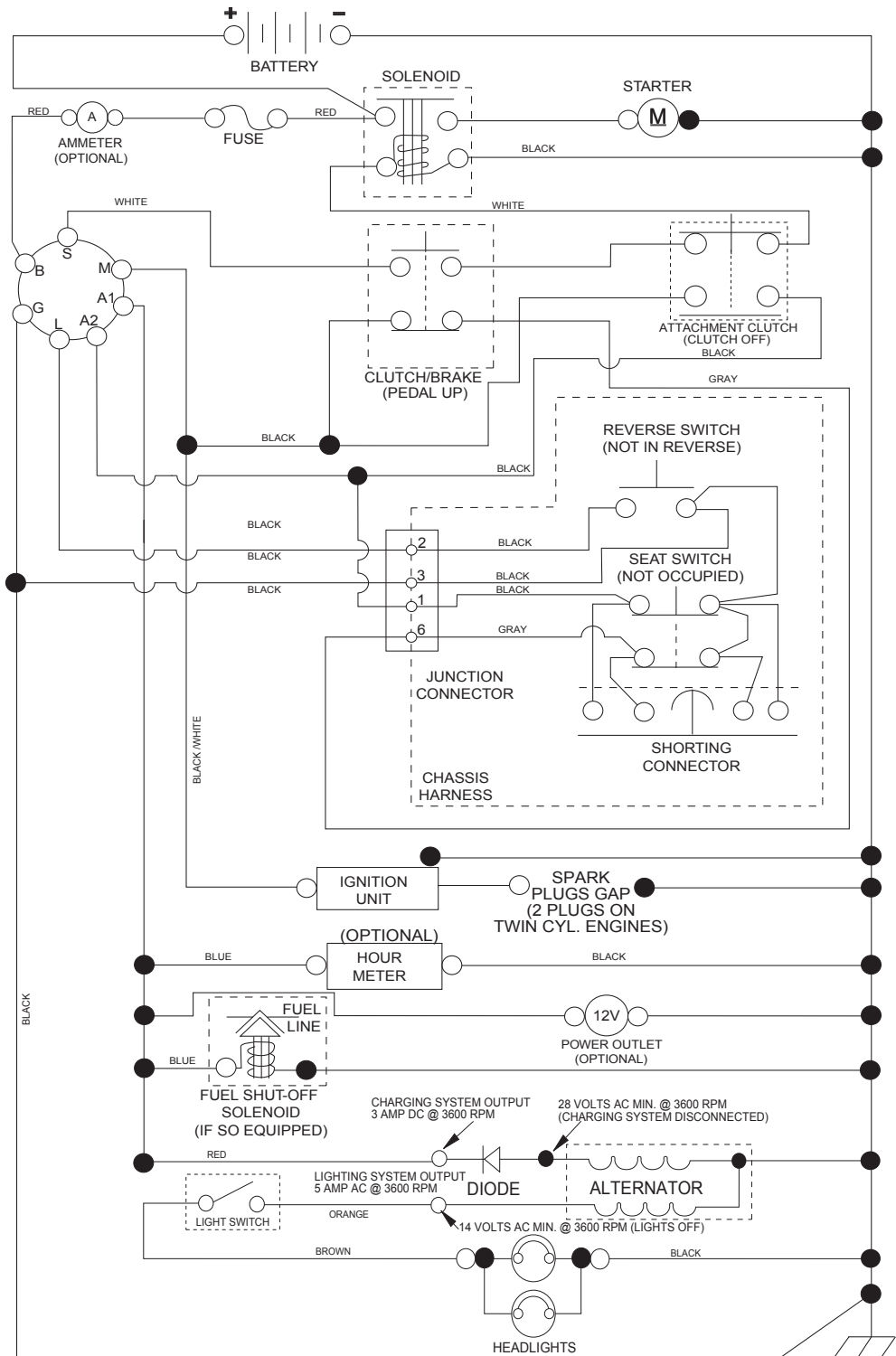
- Product - "TRACTOR"
- MODEL NUMBER - "MC19538LT (96048002301)"
- Part Number
- Part Description

TABLE OF CONTENTS

SCHEMATIC	3
ELECTRICAL.....	4-5
CHASSIS	6-7
DRIVE.....	8-9
ENGINE.....	10-11
STEERING	12-13
MOWER DECK	14-15
MOWER LIFT.....	16
SEAT	17
DECALS.....	18
WARRANTY.....	20

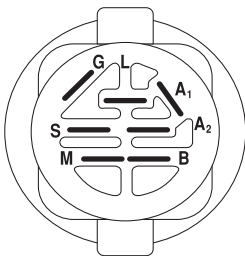
TRACTOR - MODEL NO. MC19538LT (96048002301), PRODUCT NO. 960 48 00-23 SCHEMATIC

SCH11



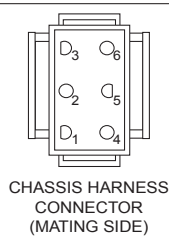
NOTE

YOUR TRACTOR IS EQUIPPED WITH A SPECIAL ALTERNATOR SYSTEM. THE LIGHTS ARE NOT CONNECTED TO THE BATTERY, BUT HAVE THEIR OWN ELECTRICAL SOURCE. BECAUSE OF THIS, THE BRIGHTNESS OF THE LIGHTS WILL CHANGE WITH ENGINE SPEED. AT IDLE THE LIGHTS WILL DIM. AS THE ENGINE IS SPEEDED UP, THE LIGHTS WILL BECOME THEIR BRIGHTEST.



IGNITION SWITCH

POSITION	CIRCUIT "MAKE"
OFF	M+G+A1
RUN/OVERRIDE	B+A1
RUN	B+A1 L+A2
START	B + S + A1



CHASSIS HARNESS CONNECTOR (MATING SIDE)



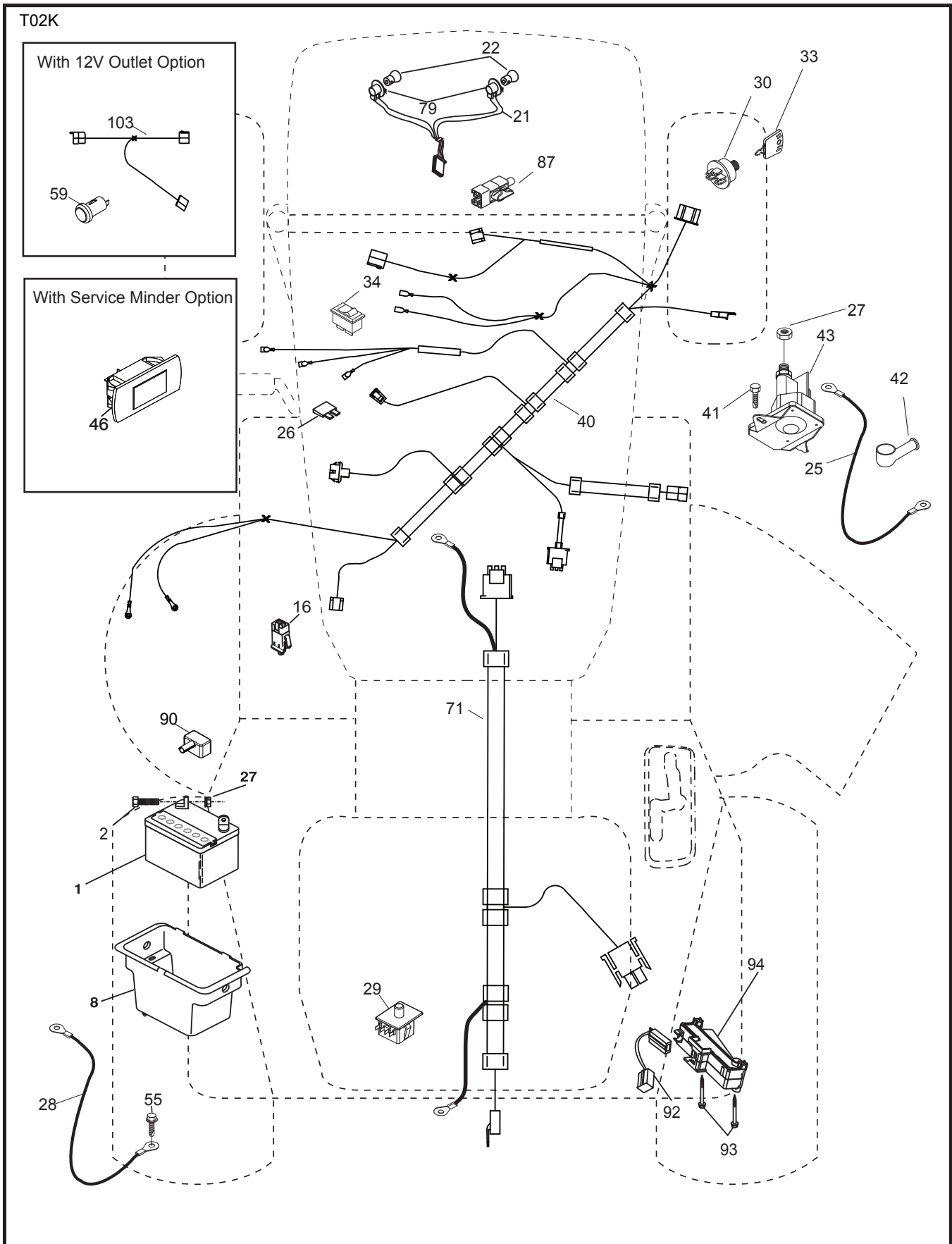
DASH HARNESS CONNECTOR (MATING SIDE)

WIRING INSULATED CLIPS
NOTE: IF WIRING INSULATED CLIPS WERE REMOVED FOR SERVICING OF UNIT, THEY SHOULD BE RE-INSTALLED TO PROPERLY SECURE YOUR WIRING.

NON-REMOVABLE CONNECTIONS

REMOVABLE CONNECTIONS

**TRACTOR - MODEL NO. MC19538LT (96048002301), PRODUCT NO. 960 48 00-23
ELECTRICAL**

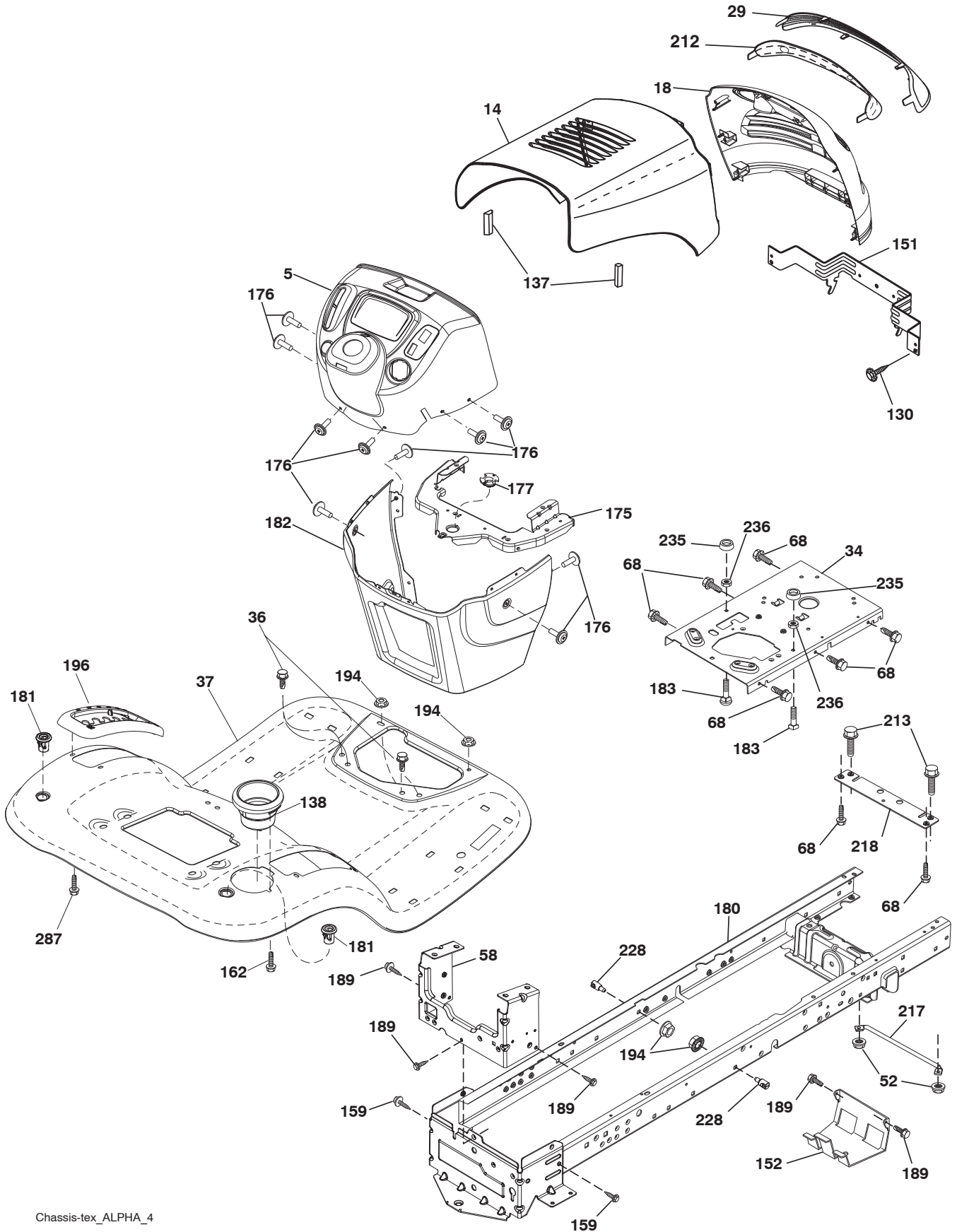


**TRACTOR - MODEL NO. MC19538LT (96048002301), PRODUCT NO. 960 48 00-23
ELECTRICAL**

KEY NO.	PART NO.	DESCRIPTION
1	532 16 34-65	Battery 12 Volt 25 Amp
2	874 76 04-12	Bolt Hex Hd 1/4-20 unc x 3/4
8	532 19 32-28	Box Battery
16	532 17 61-38	Switch Interlock
21	532 17 56-88	Harness Asm. Light
22	532 00 41-52	Bulb Light
25	532 41 28-94	Cable Starter Battery 6 Ga. BL/Red 14.5"
26	532 17 51-58	Fuse
27	873 51 04-00	Nut Keps Hex 1/4-20 unc
28	532 19 88-85	Cable Ground 6 Ga. 22" Black
29	532 19 27-49	Switch Seat
30	532 19 33-50	Switch Ign
33	532 41 19-35	Key/Chain
34	532 11 07-12	Switch Light
40	532 40 10-98	Harness Ign Dash
41	817 72 04-08	Screw 1/4-20 unc x 1/2
42	532 13 15-63	Cover Terminal Red
43	532 19 25-07	Solenoid
55	817 06 05-12	Screw 5/16-18 x 3/4
71	532 44 15-44	Harness Ign. Chass.
79	532 17 52-42	Socket Asm Bulb
87	532 19 78-02	Switch Interlock Clutch
90	532 43 53-95	Cover Terminal
92	532 19 66-15	Harness Pigtail Reverse Switch
93	532 19 25-40	Screw Plastic 10-14 x 2.0
94	532 19 18-34	Module Reverse ROS

NOTE: All component dimensions given in U.S. inches
1 inch = 25.4 mm

**TRACTOR - MODEL NO. MC19538LT (96048002301), PRODUCT NO. 960 48 00-23
CHASSIS**



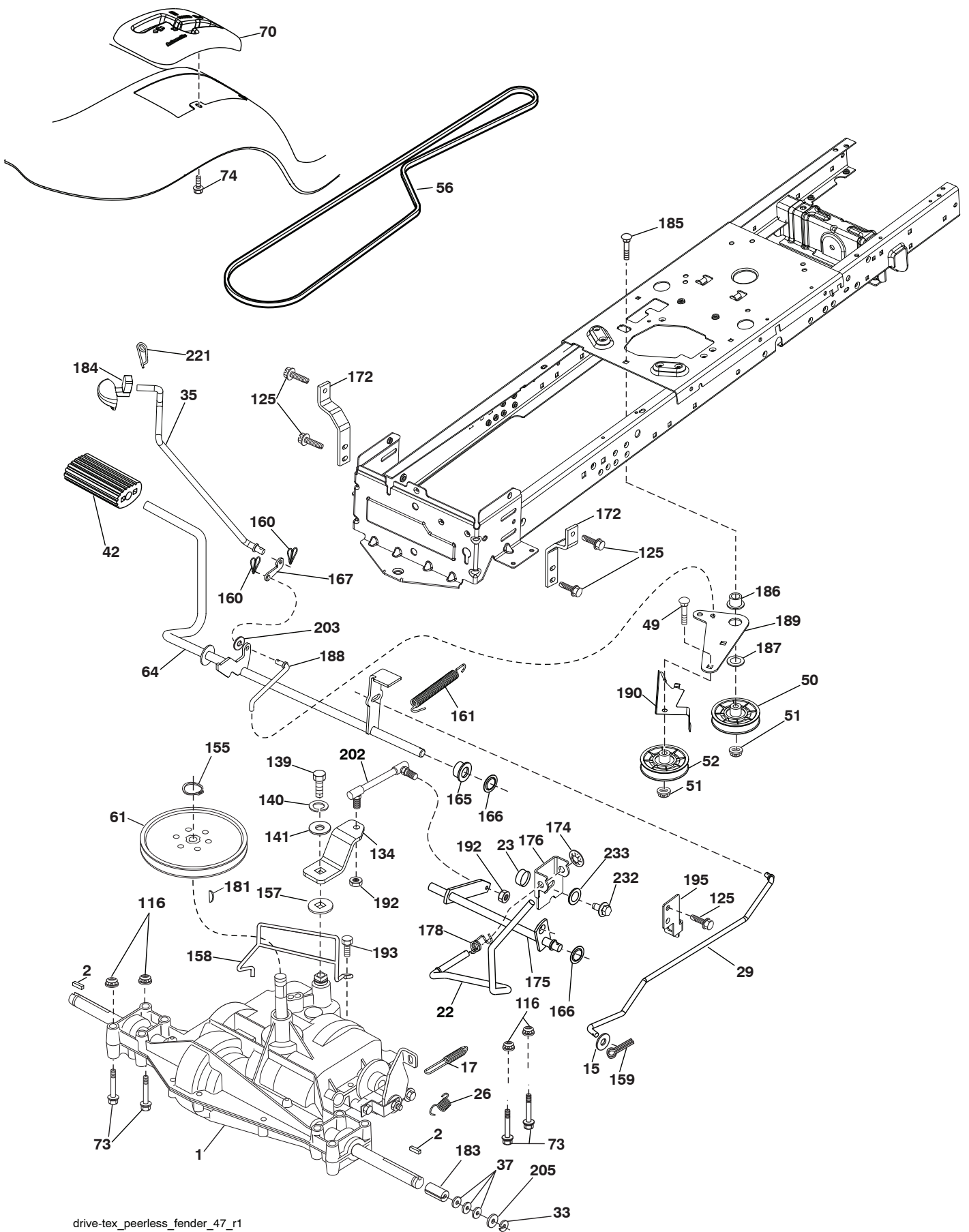
Chassis-tex_ALPHA_4

**TRACTOR - MODEL NO. MC19538LT (96048002301), PRODUCT NO. 960 48 00-23
CHASSIS**

KEY NO.	PART NO.	DESCRIPTION
5	532 41 17-64	Dash
14	532 40 61-79	Hood
18	532 42 67-41	Grille
29	532 19 54-02	Lens Bar
34	580 91 08-01	Plate Engine
36	817 06 05-12	Screw 5/16-18 x 3/4
37	532 42 09-86	Fender
52	873 68 05-00	Nut Lock 5/16-18
58	532 41 22-80	Drawbar Upper
68	817 49 05-08	Screw Thdrol 5/16-18 x 1/2
130	532 41 63-58	Screw #10 x 0.750
137	532 18 49-21	Bumper Hood
138	532 40 97-30	Cupholder
151	532 18 75-68	Bracket Pivot
152	532 19 95-35	Shield Browning/Debris
159	817 00 06-12	Screw Hexwsh Th.
162	532 14 24-32	Screw Hex Wsh Hi-Lo 1/4 x 1/2
175	532 19 32-43	Crossmember
176	532 40 07-76	Screw 10-24 x 5/8 Wshd Qdix
177	532 19 52-28	Bushing Steering
180	532 41 50-63	Chassis
181	532 40 47-96	Bushing Mtg. Fender Crgo.
182	532 19 30-57	Dash Lower
183	874 52 05-20	Bolt 5/16-18 x 1-1/4
189	817 00 05-12	Screw 5/16-18 x 3/4
194	873 90 05-00	Nut Lock Hex Flange 5/16-18
196	532 41 45-79	Console Asm. Deck Lift
212	532 18 75-69	Insert Reflective
213	874 76 05-12	Bolt 5/16-18 x 3/4
217	532 40 91-67	Rod Pivot Hood
218	532 19 63-95	X-Piece Hood Stop
228	532 19 51-61	Stud Fastener
235	532 40 61-29	Spacer Fender
236	873 93 05-00	Nut Center Lock 5/16-18
287	817 60 04-06	Screw 1/4-20 x 3/8

NOTE: All component dimensions given in U.S. inches
1 inch = 25.4 mm

**TRACTOR - MODEL NO. MC19538LT (96048002301), PRODUCT NO. 960 48 00-23
DRIVE**



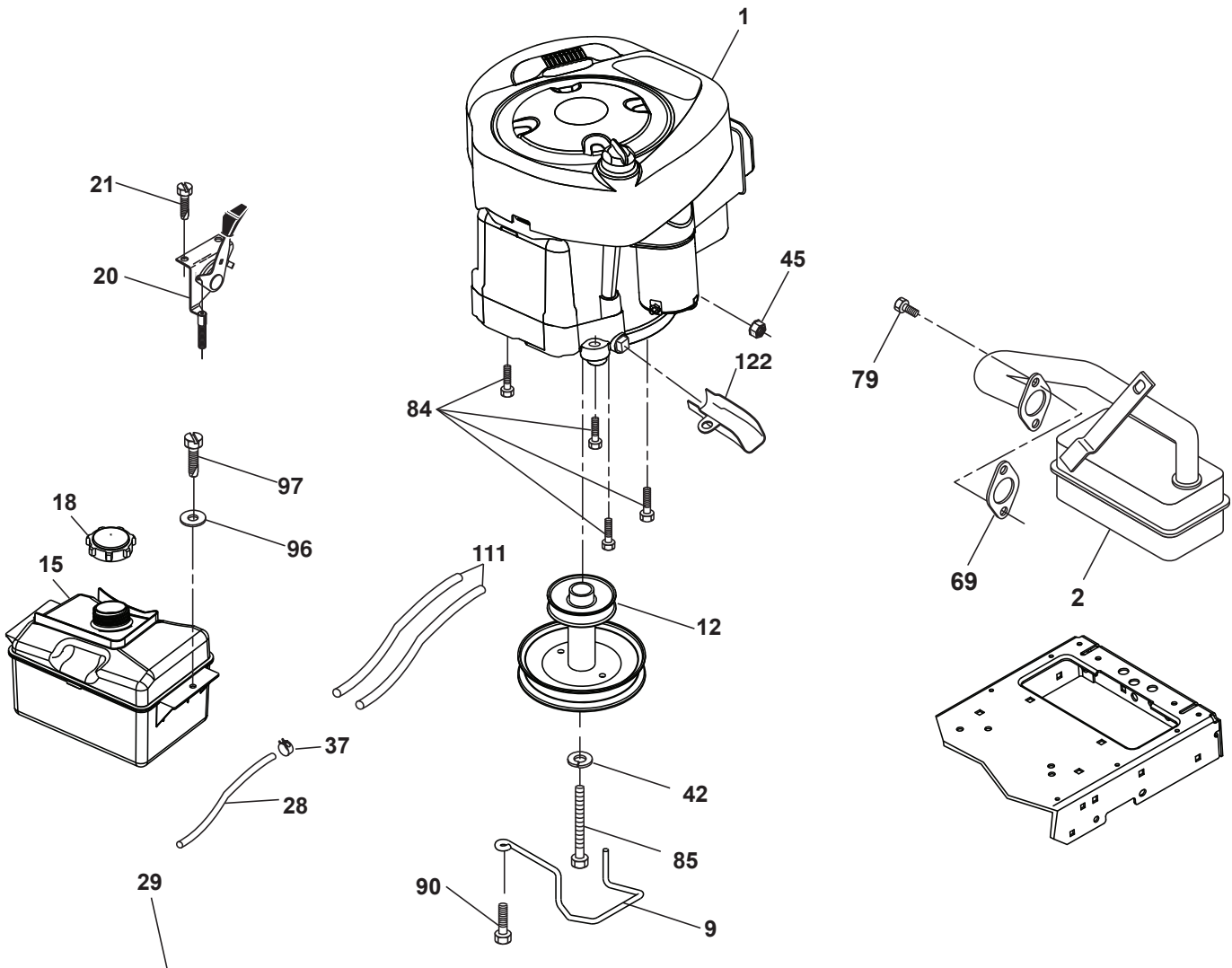
drive-tex_peerless_fender_47_r1

**TRACTOR - MODEL NO. MC19538LT (96048002301), PRODUCT NO. 960 48 00-23
DRIVE**

KEY NO.	PART NO.	DESCRIPTION	KEY NO.	PART NO.	DESCRIPTION
1	---	Transaxle, Peerless 206-565 (197941)(Order parts from transaxle manufacturer.)	159	876 02 04-12	Pin Cotter 1/8 x 3/4
2	532 12 35-83	Key Square	160	532 16 94-84	Retainer Clip
15	819 13 13-16	Washer 13/32 x 13/16 x 16 Ga.	161	532 10 57-09	Spring, Return, Clutch
17	532 19 72-97	Spring, Brake	165	532 19 62-12	Busing Shaft Brake Hand Control
22	532 19 76-60	Rod Shift	166	532 42 91-64	Nut Push .625
23	532 10 69-33	Knob	167	532 40 52-57	Latch Brake Parking
26	532 19 74-55	Spring Brake RTN	172	532 19 76-57	Strap Torque LH
29	532 19 72-67	Rod, Brake	174	532 19 72-89	Nut Push
33	812 00 00-01	Ring E	175	532 19 78-58	Shaft Asm Shift
35	532 19 77-22	Rod, Brake, Park	176	532 19 62-14	Arm Clevis Rod Shift
37	532 12 17-49	Washer 25/32 x 1-1/4 x 16 Ga.	178	532 19 74-56	Spring Shift
42	532 12 48-72	Cover, Foot Pedal	181	532 12 50-96	Key Woodruff
49	872 11 06-14	Bolt	183	532 13 70-57	Spacer, Axle
50	532 19 43-27	Pulley Idler Flat	184	532 44 15-04	Handle Parking Brake
51	873 90 06-00	Lock Nut 3/8-16	185	872 11 06-22	Bolt
52	532 19 43-26	Idler V-Groove	186	532 19 43-21	Spacer Retainer
56	532 19 43-46	V-Belt, Drive	187	819 13 32-10	Washer
61	532 12 36-66	Pulley Transaxle	188	532 19 43-23	Link Clutch Ground Drive
64	532 19 62-00	Shaft Asm. Pedal Brake Control	189	532 19 43-17	Bellcrank Ground Drive
70	532 41 12-90	Console	190	532 19 43-18	Keeper Bellcrank Ground Drive
73	874 49 05-40	Bolt 5/16-18 x 2-1/2 G5	192	532 15 03-60	Nut Lock Center 1/4-28
74	532 14 24-32	Screw 1/4 x 1/2	193	817 06 05-12	Screw 5/16-18 x 3/4
116	873 90 05-00	Nut Lock Hex Flange 5/16-18	195	532 19 73-32	Bracket Brake Rod
125	817 00 05-12	Screw 5/16-18 x 3/4	202	532 19 78-59	Link Shift
134	532 19 78-57	Arm Shift	203	819 11 11-16	Washer 11/32 x 11/16 x 16 Ga.
139	874 55 04-12	Bolt 1/4-20 unf Gr. 8 w/Patch	205	532 12 17-48	Washer 25/32 x 1-5/8 x 16 Ga.
140	810 04 04-00	Washer Lock Hvy Helical 1/4	221	532 40 31-87	Retainer Spring Clip Handle
141	819 09 12-10	Washer 9/32 x 3/4 x 10 Ga.	232	874 78 07-16	Bolt 7/16-14 x 1 Gr. 5
155	812 00 00-28	Ring Retainer	233	532 40 52-96	Washer Serrated
157	532 10 57-01	Washer Plate Shf			
158	532 19 43-52	Keeper T/A			

NOTE: All component dimensions given in U.S. inches
1 inch = 25.4 mm

**TRACTOR - MODEL NO. MC19538LT (96048002301), PRODUCT NO. 960 48 00-23
ENGINE**



OPTIONAL EQUIPMENT
Spark Arrester

engine-tex_BS_58_r1

TRACTOR - MODEL NO. MC19538LT (96048002301), PRODUCT NO. 960 48 00-23 ENGINE

KEY NO.	PART NO.	DESCRIPTION
1	— — — — —	Engine Briggs Model No. 31P677-1517-G5 (442254)(Order parts from engine manufacturer.)
2	532 13 73-52	Muffler
9	532 19 43-19	Keeper Belt Engine
12	532 40 19-85	Pulley Engine
15	532 43 30-03	Tank Fuel
18	532 43 02-20	Cap
20	532 17 05-45	Control Throttle
21	532 41 63-58	Screw #10 x 0.750
28	532 13 70-40	Fuel Line
29	532 13 71-80	Spark Arrester Kit
37	532 12 34-87	Clamp Hose
42	810 04 07-00	Washer Lock 7/16
45	873 51 04-00	Nut Keps Hex 1/4-20 unc
69	532 16 52-91	Gasket
79	532 19 23-34	Screw 5/16 - 18 x .75
84	817 06 06-20	Screw 3/8-16 x 1-1/4
85	532 17 39-37	Bolt Hex 7/16-20 x 4 Gr. 5
90	817 00 06-16	Screw 3/8-16 x 1
96	819 09 14-16	Washer 9/32 x 7/8 x 16 Ga.
97	817 67 04-12	Screw 1/4-20 x 3/4
111	532 41 41-19	Purge Line
122	532 42 19-22	Extension Drain Oil

NOTE: All component dimensions given in U.S. inches.
1 inch = 25.4 mm

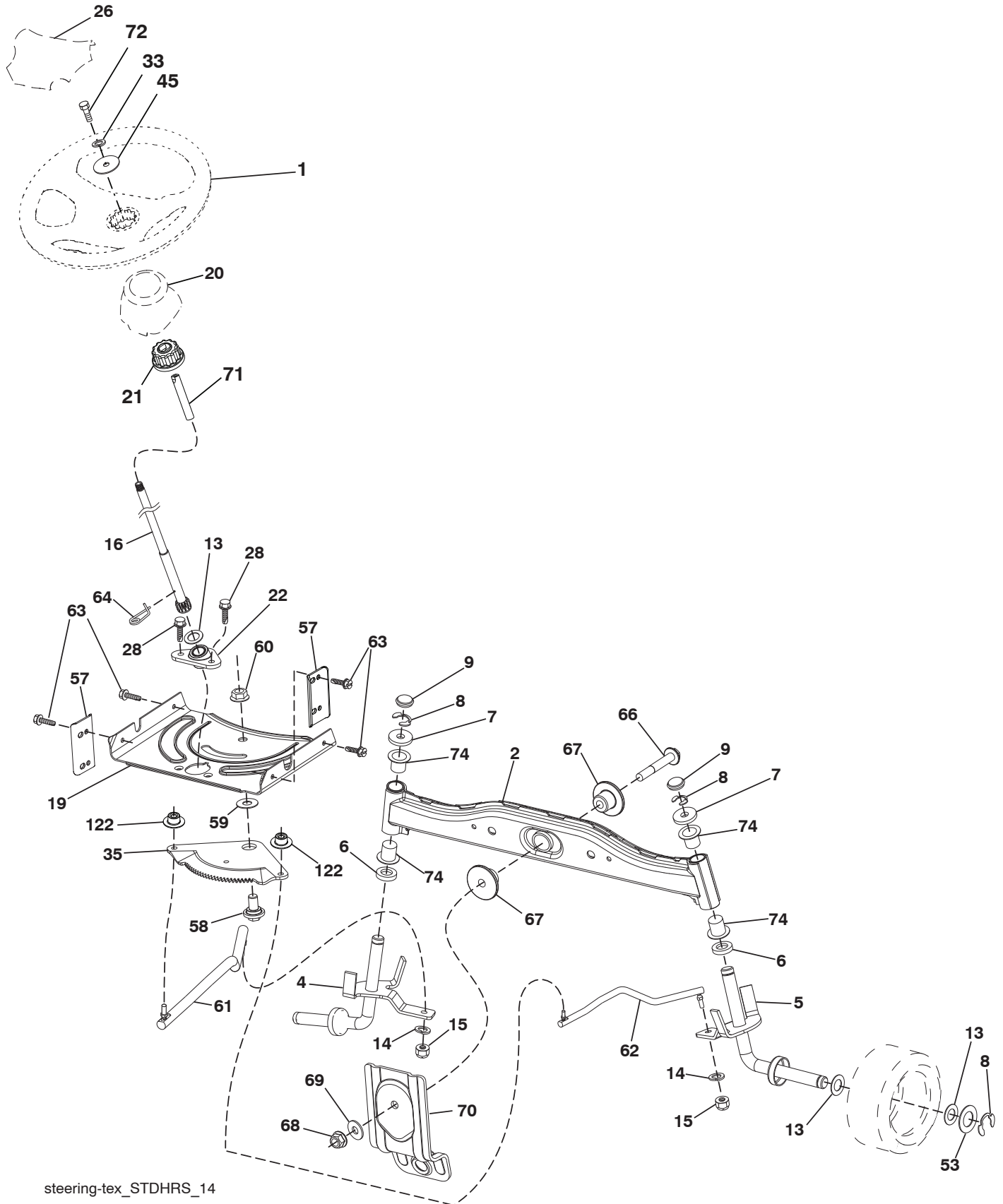
For engine service and replacement parts, call the toll free number for your engine manufacturer listed below:

Briggs & Stratton 1-800-233-3723

Engine Power Rating Information

The gross power rating for individual gas engine models is labeled in accordance with SAE (Society of Automotive Engineers) code J1940 (Small Engine Power & Torque Rating Procedure), and rating performance has been obtained and corrected in accordance with SAE J1995 (Revision 2002-05). Torque values are derived at 3060 RPM; horsepower values are derived at 3600 RPM. Actual gross engine power will be lower and is affected by, among other things, ambient operating conditions and engine-to-engine variability. Given both the wide array of products on which engines are placed and the variety of environmental issues applicable to operating the equipment, the gas engine will not develop the rated gross power when used in a given piece of power equipment (actual "on-site" or net power). This difference is due to a variety of factors including, but not limited to, accessories (air cleaner, exhaust, charging, cooling, carburetor, fuel pump, etc.), application limitations, ambient operating conditions (temperature, humidity, altitude), and engine-to-engine variability. Due to manufacturing and capacity limitations, Briggs & Stratton may substitute an engine of higher rated power for this Series engine.

TRACTOR - MODEL NO. MC19538LT (96048002301), PRODUCT NO. 960 48 00-23
STEERING



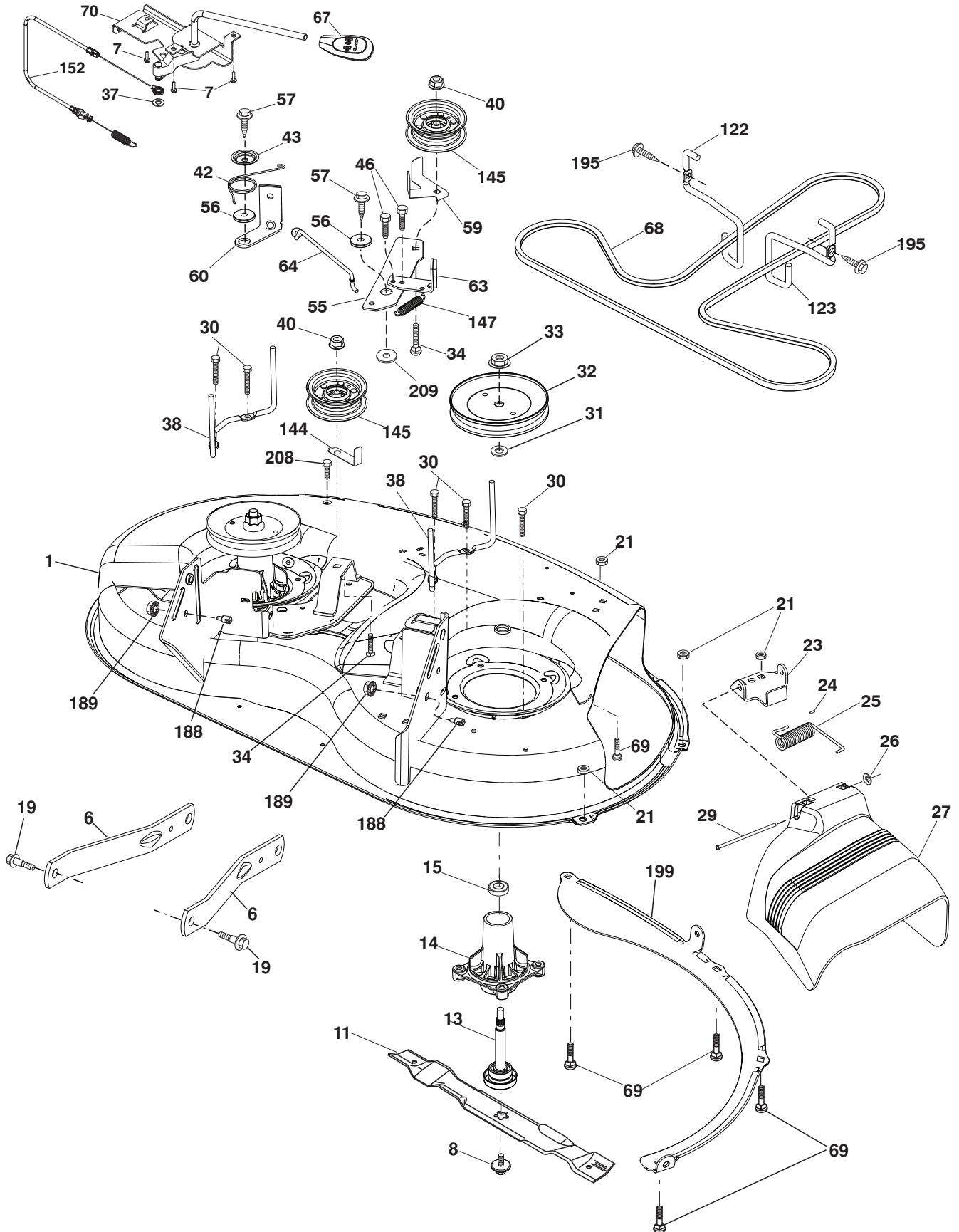
steering-tex_STDHRS_14

**TRACTOR - MODEL NO. MC19538LT (96048002301), PRODUCT NO. 960 48 00-23
STEERING**

KEY NO.	PART NO.	DESCRIPTION
1	532 42 45-43	Wheel, Steering
2	532 41 81-68	Axle Asm., Front
4	532 40 30-87	Spindle Asm., LH
5	532 40 30-88	Spindle Asm., RH
6	532 12 49-31	Washer Thrust 0.75 x 1.23
7	532 12 17-48	Washer 25/32 x 1-5/8 x 16 Ga.
8	812 00 00-29	Ring, Clip #T5304-75
9	532 12 12-32	Cap, Spindle
13	532 12 17-49	Washer 25/32 x 1-1/4 x 16 Ga.
14	810 04 06-00	Washer Lock 3/8
15	873 54 06-00	Nut, Crown Lock 3/8-24 unf
16	532 42 93-74	Shaft Steering
19	532 19 47-29	Plate Steering
20	532 41 12-91	Boot, Steering
21	532 18 67-37	Adapter, Wheel Steering
22	532 42 05-37	Support, Strg. Lower
26	532 42 41-47	Insert, Wheel Steering
28	817 00 06-12	Screw 3/8-16 x 3/4
33	810 04 05-00	Washer Lock 5/16
35	532 19 47-32	Gear, Sector Plate
45	819 11 38-12	Washer 11/32 x 2-3/8 x 12 Ga.
53	532 18 89-67	Washer Hardened .793 x 1.637 x .060
57	532 40 74-65	Bracket Upstop
58	532 19 47-47	Bolt Shoulder Sector Pivot CFM
59	532 19 47-48	Washer Thrust Sector Steering
60	873 97 10-00	Nut Flange Lock 5/8-11
61	532 19 47-40	Draglink, LH
62	532 19 47-41	Draglink, RH
63	817 00 05-12	Screw 5/16-18 x 3/4
64	532 19 98-49	Retainer Clip Spring Steering
66	871 02 07-48	Bolt Hex Fghd 7/16-14 x 3 Serr
67	532 19 47-37	Bushing PM Front Axle
68	873 90 07-00	Nut Lock Flange 7/16-14 Gr. 5
69	532 19 91-62	Washer 1.5 x .505 x .118
70	532 19 61-97	Bracket Deck Susp. Front
71	532 19 07-52	Shaft Ext. Steering
72	532 42 89-82	Bolt 5/16-18 x 4 w/Patch
74	532 12 49-37	Bearing
122	532 44 49-62	Cap Gear Sector

NOTE: All component dimensions given in U.S. inches
1 inch = 25.4 mm

TRACTOR - MODEL NO. MC19538LT (96048002301), PRODUCT NO. 960 48 00-23
MOWER DECK

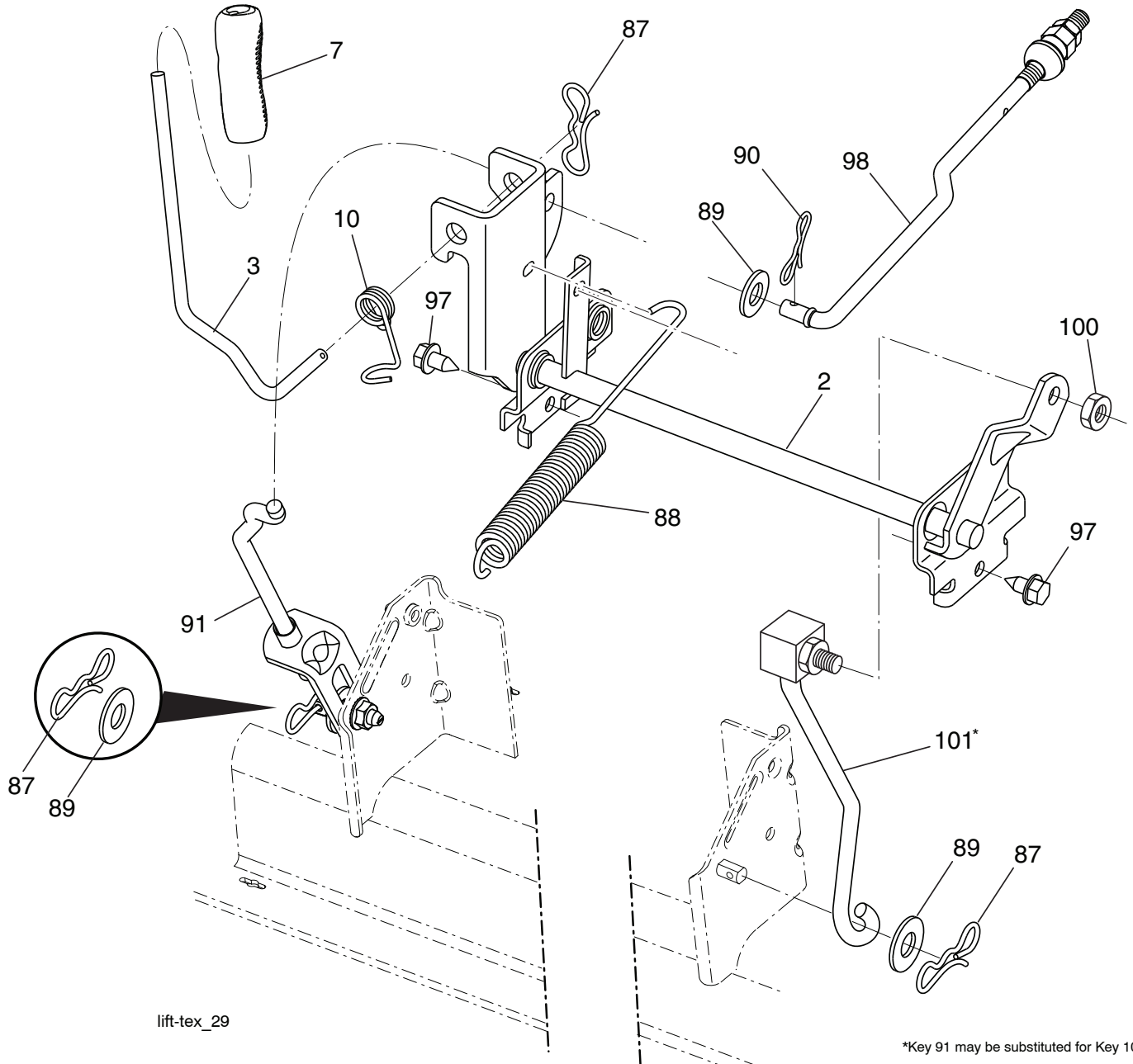


**TRACTOR - MODEL NO. MC19538LT (96048002301), PRODUCT NO. 960 48 00-23
MOWER DECK**

KEY NO.	PART NO.	DESCRIPTION	KEY NO.	PART NO.	DESCRIPTION
1	532 19 42-51	Mower Housing	59	532 14 10-43	Guard, Tuv Idler
6	532 19 51-86	Arm Suspension	60	532 19 94-71	Arm Brake Mower
7	532 41 63-58	Screw #10 x 0.750 BOS Thread	63	532 19 94-70	Arm Brake Mower
8	532 19 30-03	Bolt/Washer Asm 7/16-20 unf	64	532 19 97-90	Link Brake
11	532 19 39-57	Blade	67	532 40 30-12	Handle Clutch Cable
13	532 19 28-72	Shaft Assembly Mandrel	68	532 40 83-81	V-Belt
14	532 18 72-81	Housing Mandrel	69	872 14 05-05	Bolt
15	532 11 04-85	Bearing, Ball, Mandrel	70	532 19 83-32	Clutch Asm Manual
19	532 19 65-39	Bolt, Shoulder	122	532 19 72-58	Keeper Belt Engine LH
21	873 68 05-00	Nut, Crownlock 5/16-18 unc	123	532 19 72-59	Keeper Belt Engine RH
23	532 19 25-57	Bracket, Deflector	144	532 19 34-14	Keeper Belt
24	532 10 53-04	Cap, Sleeve	145	532 19 31-97	Pulley Idler
25	532 19 70-26	Spring, Torsion, Deflector	147	532 40 18-72	Spring Return
26	532 11 04-52	Nut, Push	152	532 43 51-11	Manual Clutch Cable
27	532 19 39-68	Shield, Deflector	188	532 19 51-61	Stud Fastener
29	532 13 14-91	Rod, Hinge	189	873 90 05-00	Nut Lock Hex Flange
30	532 17 39-84	Screw Thdrol Rolling Wsh Hd	195	817 00 06-12	Screw 3/8-16 x 3/4
31	532 18 76-90	Washer, Spacer	199	532 40 00-95	Baffle Vortex
32	532 19 97-89	Pulley, Mandrel	208	817 67 06-08	Screw Hex Wsh. Hd. 3/8-16 x 1/2
33	532 40 02-34	Nut, Toplock, Flanged	209	819 13 32-10	Washer 13/32 x 2 x 10
34	872 11 06-12	Bolt Carr Sh. 3/8-16 x 1-1/2 Gr. 5	--	532 19 28-70	Mandrel Assembly (Includes housing, shaft assembly, and bearing only - pulley/nut/washer and blade bolt/washers not included)
37	819 13 13-16	Washer	--	532 43 32-70	Replacement Mower, Complete
38	532 19 95-41	Keeper Belt LH Mandrel			
40	873 90 06-00	Nut, Lock Flg. 3/8-16 unc			
42	532 19 84-10	Spring Torsion Brake			
43	532 19 72-56	Spring Torsion Retainer			
46	532 13 77-29	Screw 1/4-20 x 5/8			
55	532 19 72-49	Arm, Idler			
56	532 19 90-92	Spacer, Retainer			
57	817 00 06-16	Screw 3/8-16 x 1			

NOTE: All component dimensions given in U.S. inches
1 inch = 25.4 mm

**TRACTOR - MODEL NO. MC19538LT (96048002301), PRODUCT NO. 960 48 00-23
MOWER LIFT**



lift-tex_29

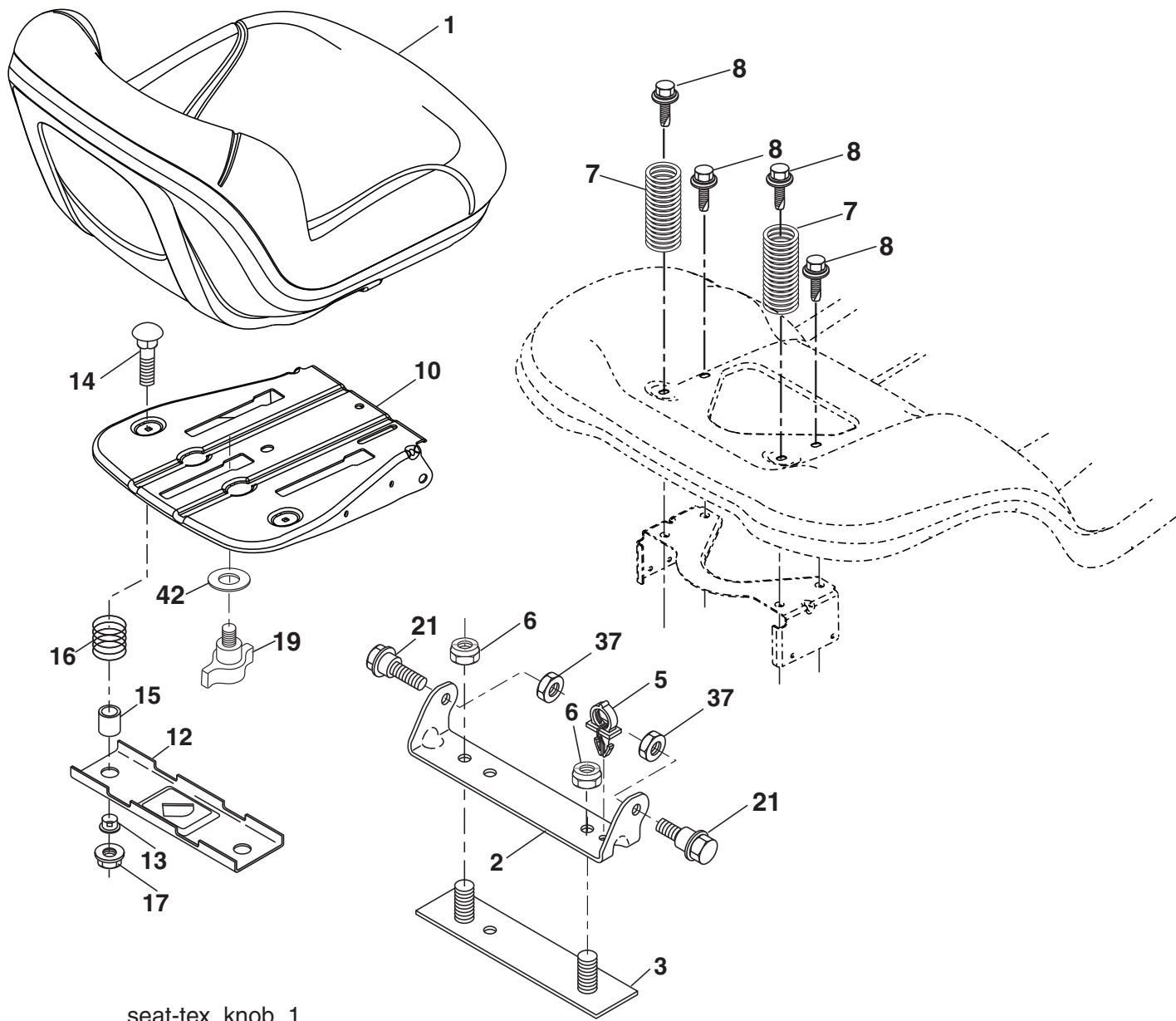
*Key 91 may be substituted for Key 101

KEY NO.	PART NO.	DESCRIPTION
2	532 42 20-27	Shaft Asm., Cross Lift
3	532 19 52-31	Lever Asm., Lift RH
7	580 96 23-01	Grip, Lever
10	532 19 63-14	Spring Torsion
87	532 19 42-09	Pin Cotter 7/16 Bow Tie Lock
88	532 41 07-10	Spring Lift Assist
89	819 19 19-12	Washer Clear Zinc
90	532 19 42-08	Pin Cotter 5/16 Bow Tie Lock
91	532 19 51-81	Link Lift Susp Mower Rear

KEY NO.	PART NO.	DESCRIPTION
97	817 00 06-12	Screw 3/8-16 x .75 Smgml Tap/R.Z
98	532 19 52-70	Link Lift Susp. Front Mower
100	873 93 06-00	Nut Centerlock 3/8 -16 unc
101	532 40 70-03	Link Asm Lift Fixed

NOTE: All component dimensions given in U.S. inches
1 inch = 25.4 mm

TRACTOR - MODEL NO. MC19538LT (96048002301), PRODUCT NO. 960 48 00-23 SEAT



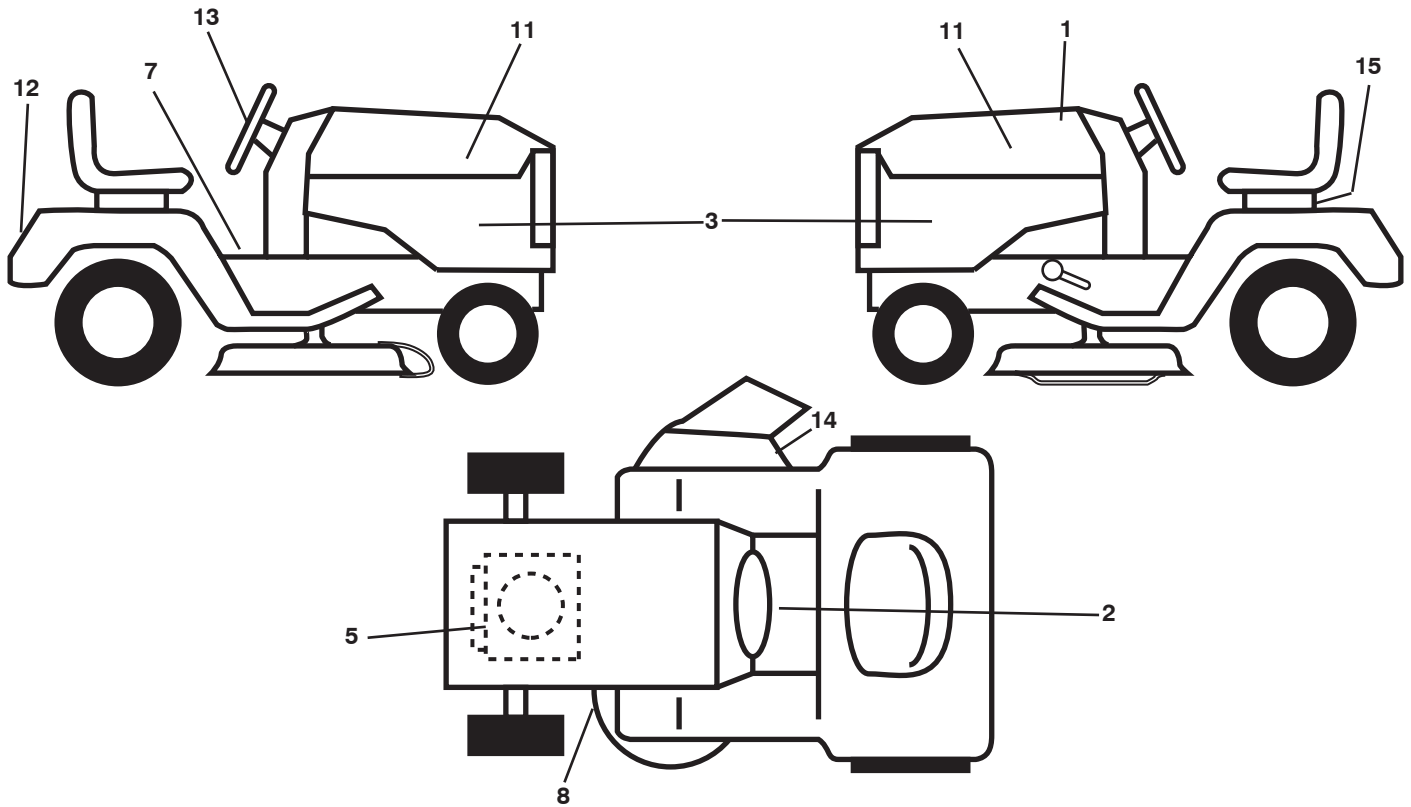
seat-tex_knob_1

KEY NO.	PART NO.	DESCRIPTION
1	532 40 30-17	Seat
2	532 18 01-66	Bracket Pivot Fender
3	532 14 06-75	Strap, Asm Fender
5	532 14 50-06	Clip Push-In Hinged
6	873 80 06-00	Nut, Lock w/Ins. 3/8-16 unc
7	532 12 41-81	Spring, Seat Cprsn
8	532 17 18-77	Bolt 5/16-18 unc x 3/4 w/Sems
10	532 44 18-05	Pan, Seat
12	532 19 93-70	Bracket Seat Mounting
13	532 12 12-48	Bushing Snap
14	872 05 04-12	Bolt 1/4 - 20 X 1-1/2

KEY NO.	PART NO.	DESCRIPTION
15	532 13 43-00	Spacer Split
16	532 12 37-40	Spring CPRSN Plate SW 1.310 Ga.
17	532 12 39-76	Nut Lock 1/4 Gr.5
19	532 19 93-72	Knob Seat
21	532 17 18-52	Bolt, Shoulder 5/16-18
37	873 80 05-00	Nut, Lock 5/16-18 unc
42	532 19 93-71	Washer Cup Seat

NOTE: All component dimensions given in U.S. inches
1 inch = 25.4 mm

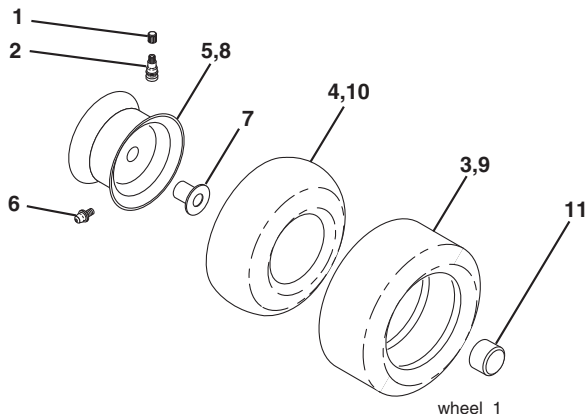
TRACTOR - MODEL NO. MC19538LT (96048002301), PRODUCT NO. 960 48 00-23



KEY NO.	PART NO.	DESCRIPTION
1	532 44 82-55	Decal, Replacement
2	532 43 52-86	Decal, Warn. Spark
3	532 44 84-65	Decal, SDPNL
5	532 42 95-55	Decal, Eng.
7	532 41 16-58	Decal, Warning
8	532 19 43-02	Decal, V-Belt Sch.
11	532 43 87-21	Decal, Hood RH/LH
12	532 44 44-52	Decal, Fender

KEY NO.	PART NO.	DESCRIPTION
13	532 43 79-66	Decal, Wheel Strg.
14	532 17 05-63	Decal, Defl. Warning
15	532 14 50-05	Decal, Caution, Battery
--	532 41 12-73	Pad Footrest RH
--	532 40 95-05	Pad Footrest LH
--	115 53 14-27	Manual, Operator's (English/French)
--	581 56 11-27	Manual, Parts (English/French)

WHEELS & TIRES



KEY NO.	PART NO.	DESCRIPTION
1	532 05 91-92	Cap, Tire Valve
2	532 06 51-39	Stem, Valve
3	532 10 62-22	Tire, Front
4	532 05 99-04	Tube, Front (Service item only)
5	532 12 51-21	Rim Assembly, 6" Front
6	532 12 49-57	Fitting, Grease (Front wheel only)
7	532 12 49-59	Bearing, Flange (Front wheel only)
8	532 12 51-22	Rim Assembly, 8" Rear
9	532 42 05-31	Tire, Rear
10	532 12 49-26	Tube, Rear (Service item only)
11	532 19 32-68	Cap, Hub Axle
--	532 14 43-34	Sealant, Tire (10 oz. Tube)

NOTE: All component dimensions given in U.S. inches
1 inch = 25.4 mm.

SERVICE NOTES

LIMITED WARRANTY

The Manufacturer warrants to the original consumer purchaser that this product as manufactured is free from defects in materials and workmanship. For a period of two (2) years from date of purchase by the original consumer purchaser, we will repair or replace, at our option, without charge for parts or labor incurred in replacing parts, any part which we find to be defective due to materials or workmanship. This Warranty is subject to the following limitations and exclusions.

1. This warranty does not apply to the engine, transaxle/transmission components, battery (except as noted below) or components parts thereof. Please refer to the applicable manufacturer's warranty on these items.
2. Transportation charges for the movement of any power equipment unit or attachment are the responsibility of the purchaser. Transportation charges for any parts submitted for replacement under this warranty must be paid by the purchaser unless such return is requested by the manufacturer.
3. Battery Warranty: On products equipped with a Battery, we will replace, without charge to you, any battery which we find to be defective in manufacture, during the first ninety (90) days of ownership. After ninety (90) days, we will exchange the Battery, charging you 1/12 of the price of a new Battery for each full month from the date of the original sale. Battery must be maintained in accordance with the instructions furnished.
4. The Warranty period for any products used for rental or commercial purposes is limited to 90 days from the date of original purchase.
5. This Warranty applies only to products which have been properly assembled, adjusted, operated, and maintained in accordance with the instructions furnished. This Warranty does not apply to any product which has been subjected to alteration, misuse, abuse, improper assembly or installation, delivery damage, or to normal wear of the product.
6. Exclusions: Excluded from this Warranty are belts, blades, blade adapters, normal wear, normal adjustments, standard hardware and normal maintenance.
7. In the event you have a claim under this Warranty, you must return the product to an authorized service dealer.

Should you have any unanswered questions concerning this Warranty, please contact:

HOP
Outdoor Products Customer Service Dept.
9335 Harris Corners Parkway
Charlotte, NC 28269 USA

In Canada contact:
HOP
5855 Terry Fox Way
Mississauga, Ontario
L5V 3E4

giving the model number, serial number and date of purchase of your product and the name and address of the authorized dealer from whom it was purchased.

THIS WARRANTY DOES NOT APPLY TO INCIDENTAL OR CONSEQUENTIAL DAMAGES AND ANY IMPLIED WARRANTIES ARE LIMITED TO THE SAME TIME PERIODS STATED HEREIN FOR OUR EXPRESSED WARRANTIES. Some areas do not allow the limitation of consequential damages or limitations of how long an implied Warranty may last, so the above limitations or exclusions may not apply to you. This Warranty gives you specific legal rights, and you may have other rights which vary from locale to locale.

This is a limited Warranty within the meaning of that term as defined in the Magnuson-Moss Act of 1975.

