

ILLUSTRATED PARTS LIST

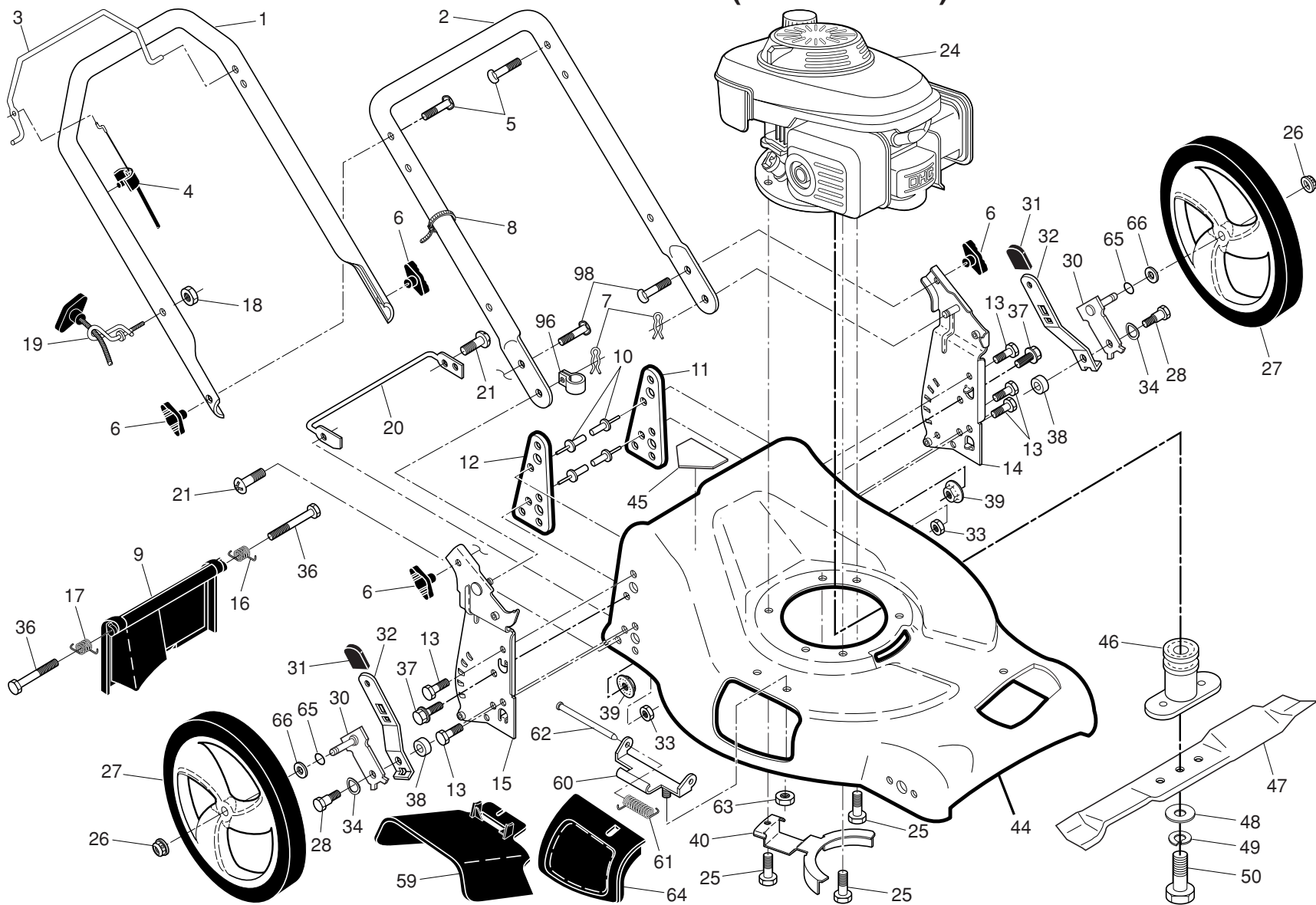
MODEL NUMBER M53-160DW

PRODUCT NUMBER 961 41 01-48

MFG. ID. NUMBER 96141014805

ROTARY LAWN MOWER - MODEL NO. M53-160DW (96141014805) - PRODUCT NO. 961 41 01-48

2



ROTARY LAWN MOWER - MODEL NO. **M53-160DW (96141014805)** - PRODUCT NO. 961 41 01-48

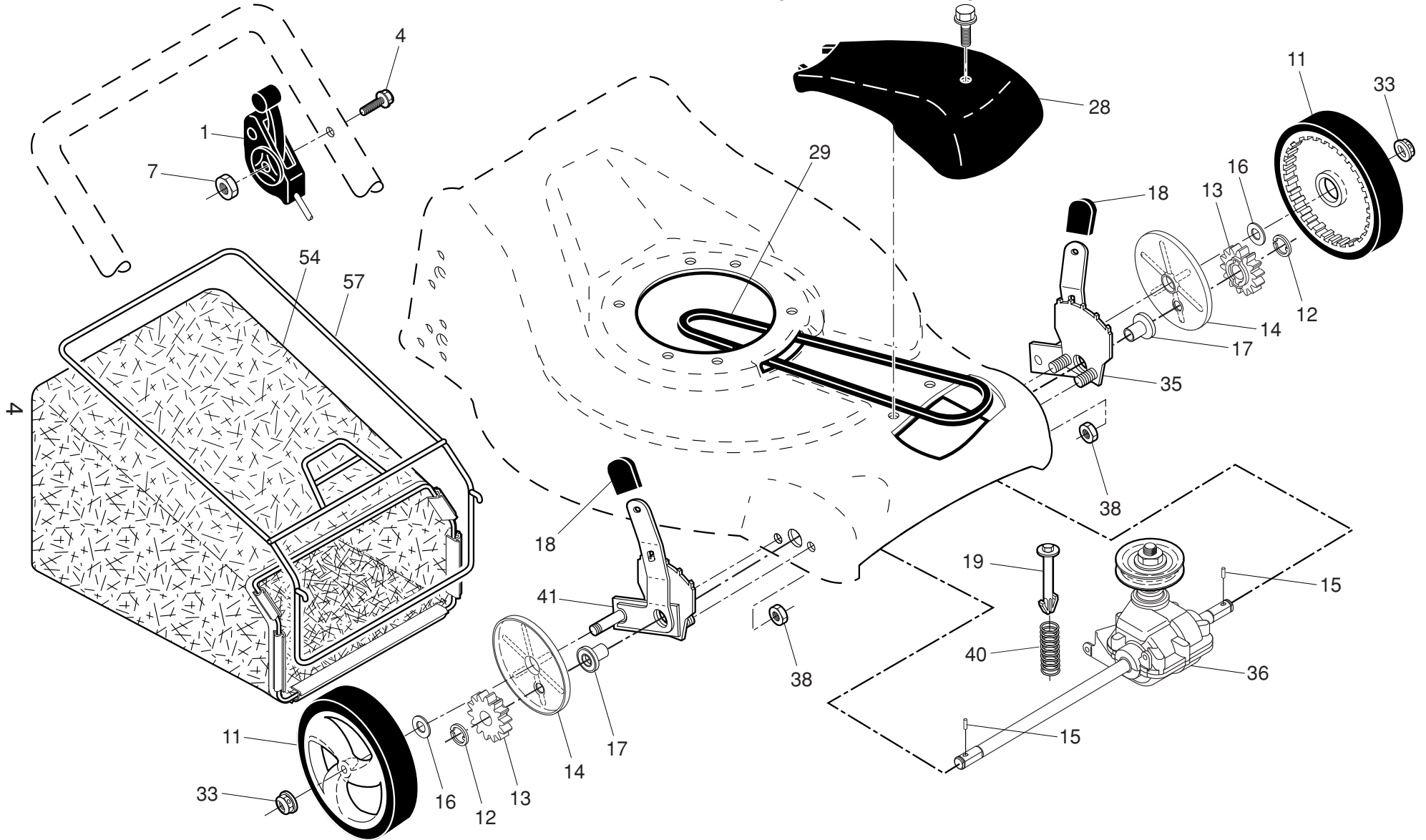
3

KEY NO.	PART NO.	DESCRIPTION	KEY NO.	PART NO.	DESCRIPTION
1	532 40 29-37	Upper Handle	33	873 80 05-00	Locknut, Hex
2	532 43 45-14	Lower Handle	34	532 40 16-30	Washer, Curved, Cylindrical
3	532 18 99-03	Control Bar	36	532 18 41-93	Bolt
4	532 18 35-67	Cable, Engine Zone Control	37	874 78 05-12	Thread Cutting Screw w/Sems 5/16-18 x 3/4
5	532 19 15-74	Handle Bolt	38	532 40 16-29	Spacer
6	532 44 50-19	Handle Knob	39	532 15 53-77	Nut, Hex 5/16-18
7	532 05 17-93	Hairpin Cotter	40	532 42 90-01	Belt Keeper
8	532 06 64-26	Wire Tie	44	532 40 92-65	Kit, Lawn Mower Housing (Includes Key Numbers 10, 11, 12 and 45)
9	532 40 69-85	Rear Door Kit (Includes Key Numbers 16 & 17)	45	532 18 21-66	Danger Decal
10	532 12 84-15	Pop Rivet	46	532 43 46-25	Blade Adapter
11	532 41 05-40	Support Bracket, LH	47	532 19 93-77	Blade, 21"
12	532 41 05-42	Support Bracket, RH	48	532 85 10-74	Hardened Washer
13	817 06 04-10	Screw 1/4-20 x 5/8	49	532 85 02-63	Helical Washer 3/8-24 x 1-3/8 Grade 8
14	532 43 45-13	Handle Bracket Assembly, LH	50	532 85 10-84	Machine Screw, Hex 3/8-24 x 1-3/8 Grade 8
15	532 43 45-12	Handle Bracket Assembly, RH	59	532 17 50-71	Discharge Deflector
16	532 40 54-17	Spring, Rear Door, LH	60	532 17 57-35	Hinge Bracket
17	532 40 54-18	Spring, Rear Door, RH	61	532 19 30-00	Spring, Hinge
18	532 13 20-04	Locknut, Hex, Keys 1/4-20	62	532 17 56-50	Rod, Hinge
19	532 19 47-88	Rope Guide	63	873 80 04-00	Nut, Hex
20	532 43 61-19	Foot Guard, C.E.	64	532 17 50-66	Mulcher Door
21	817 49 04-16	Screw, Tapping 1/4-20 x 1/2	65	532 19 74-80	O-Ring
24	---	Engine, Honda, Model No. GCV160-AS3H2 (order parts from engine manufacturer)	66	532 08 83-48	Washer, Flat 3/8
25	532 15 04-06	Screw, Hex Head, Rolled 3/8-16 x 1-1/8	96	532 19 79-91	Clip, Cable
26	532 40 91-49	Nut, Hex, Flanged	98	872 25 05-05	Bolt, Carriage
27	532 43 27-49	Wheel & Tire Assembly, Rear 12"	--	532 18 21-34	Decal, Self-Propelled, Internal (not shown)
28	532 40 16-38	Shoulder Bolt 5/16-18 x .33	--	532 41 58-26	Operator's Manual, European
30	532 41 31-41	Axle Arm Assembly, Rear	--	532 41 58-27	Operator's Manual, Scandinavian
31	532 08 78-77	Selector Knob	--	532 41 58-28	Operator's Manual, East Bloc
32	532 40 98-89	Selector Spring	--	532 41 58-29	Operator's Manual, Baltic

NOTE: All component dimensions given in U.S. inches. 1 inch = 25.4 mm.

IMPORTANT: Use only Original Equipment Manufacturer (O.E.M.) replacement parts. Failure to do so could be hazardous, damage your lawn mower and void your warranty.

ROTARY LAWN MOWER - MODEL NO. M53-160DW (96141014805) - PRODUCT NO. 961 41 01-48



ROTARY LAWN MOWER - MODEL NO. **M53-160DW** (96141014805) - PRODUCT NO. 961 41 01-48

5

KEY NO.	PART NO.	DESCRIPTION	KEY NO.	PART NO.	DESCRIPTION
1	532 18 45-87	Cable Assembly, Drive Control	28	532 43 26-62	Drive Cover Assembly (Includes Mounting Screw and Retainer)
4	532 15 87-55	Hex Washer Head Screw 1/4-20 x 2.12	29	532 17 54-36	V-Belt
7	532 19 17-30	Nut, Hex, Flanged 1/4-20	33	532 40 91-48	Locknut, Hex
11	532 40 29-36	Wheel & Tire Assembly, Front 8"	35	532 43 84-85	Kit, Wheel Adjuster, LH (Includes Knob and Bearing)
12	812 00 00-58	E-Ring	36	532 41 52-25	Gear Case Assembly (See Breakdown)
13	532 40 38-49	Pinion	38	873 80 04-00	Locknut, Hex 1/4-20
14	532 18 94-03	Dust Cover	40	532 13 70-90	Spring
15	532 40 48-45	Pawl, Drive	41	532 43 84-86	Kit, Wheel Adjuster, RH (Includes Knob and Bearing)
16	532 06 77-25	Washer 1/2 x 1-1/2 x .134	54	532 19 48-53	Grassbag Assembly
17	532 42 18-36	Bearing Assembly, Wheel Adjuster	57	532 41 19-50	Frame, Grassbag
18	532 08 78-77	Selector Knob			
19	532 15 04-95	Spring Retainer			

NOTE: All component dimensions given in U.S. inches. 1 inch = 25.4 mm.

IMPORTANT: Use only Original Equipment Manufacturer (O.E.M.) replacement parts. Failure to do so could be hazardous, damage your lawn mower and void your warranty.