

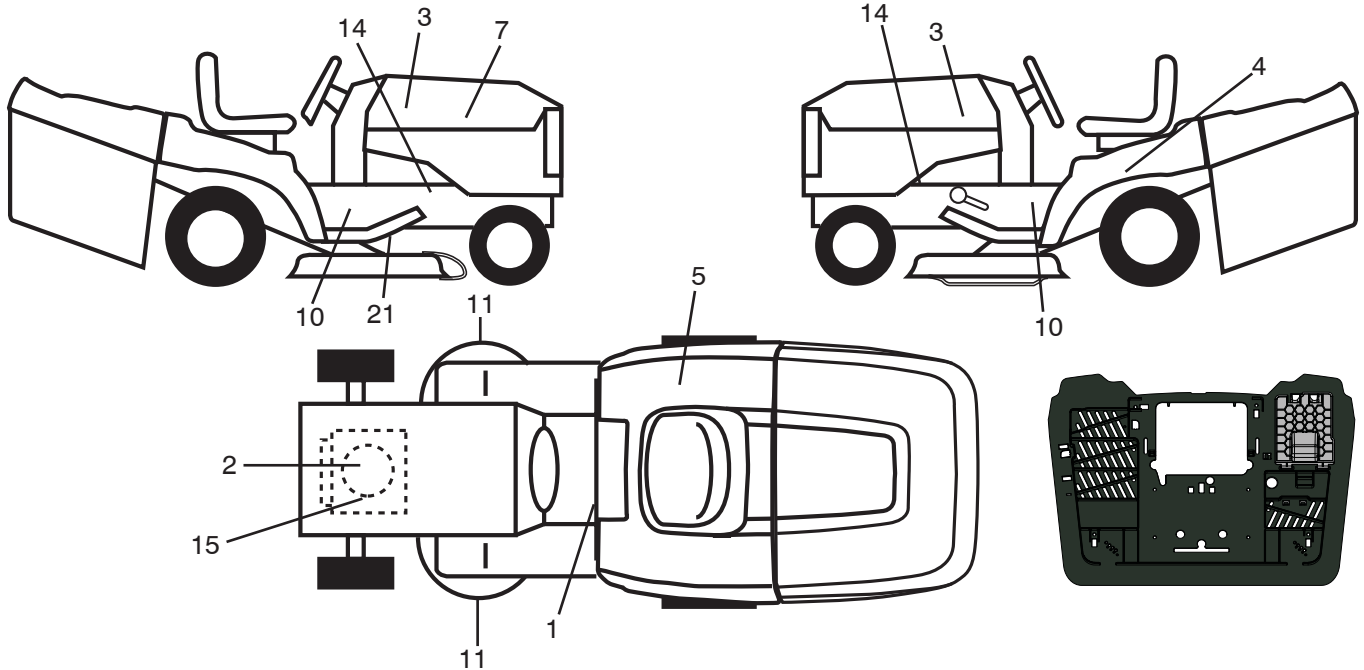
# **ILLUSTRATED PARTS LIST**

**MFG. ID NO. 96051006500**

**CUSTOMER CATALOG NO. M155-107TC**

**PRODUCT NO. 960 51 00-65**

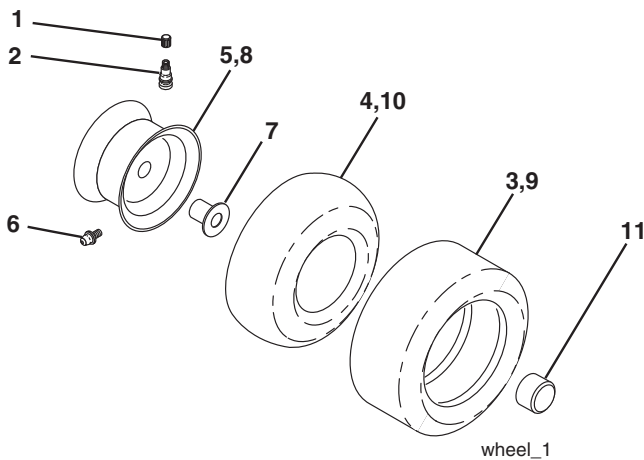
**TRACTOR - MODEL NO. M155-107TC (96051006500), PROD. NO. 960 51 00-65**  
**DECALS 27**



KEY NO.	PART NO.	DESCRIPTION
1	581 57 83-01	Decal, Warning
2	581 57 97-01	Decal, Warning Eng. Sym.
3	581 09 12-01	Decal, Hood RH/LH
4	581 60 79-01	Decal, SD Fender
5	581 72 41-01	Decal, Certification
7	581 59 22-01	Decal, Replacement
10	581 57 98-01	Decal, Warning Service/Fire
11	581 57 91-01	Decal, Mower Cut Finger Symbol
14	581 57 96-01	Decal, Chassis Hot Muffler

KEY NO.	PART NO.	DESCRIPTION
15	532 43 74-13	Decal, Engine HP
21	532 44 11-89	Decal, Belt Sch CRD
--	583 90 19-01	Decal, Bypass
--	532 44 54-93	Decal, Warning Combined
--	532 44 51-02	Decal, Battery Door
--	532 42 59-86	Pad Footrest RH
--	532 42 59-86	Pad Footrest LH
--	115 54 54-20	Manual Operator's (Euro)

**WHEELS & TIRES**



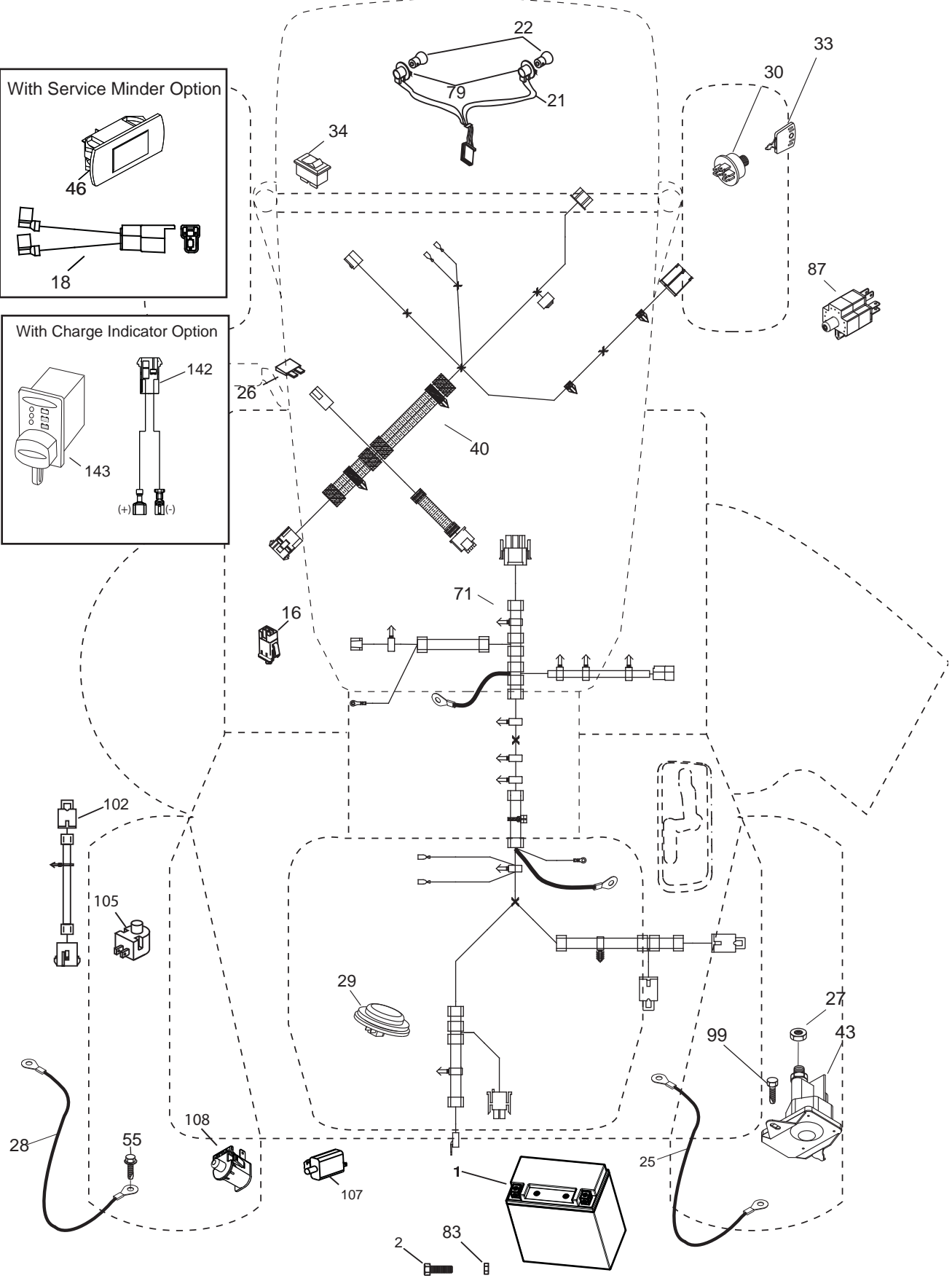
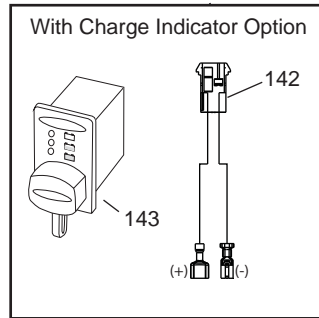
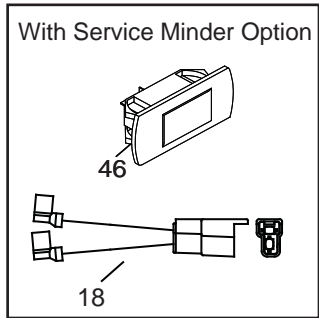
KEY NO.	PART NO.	DESCRIPTION
1	532 05 91-92	Cap Valve Tire
2	532 06 51-39	Stem Valve
3	532 10 62-22	Tire F Ts 15 x 6 0 - 6 Service
4	532 05 99-04	Tube Inner Front #35060
5	532 12 51-21	Rim Asm 6" Front Silver Service
6	532 12 49-57	Fitting Grease
7	532 12 49-59	Bearing Flange
8	532 12 51-22	Rim Asm 8" Rear Silver Service
9	532 42 05-31	Tire R.Ts-LT 18 x 9.5-8 C Ser.
10	532 12 49-26	Tube Rear 9 5 x 8 Service
11	532 19 32-68	Cap Axle Blk 1 50 x 1 00
--	532 14 43-34	Sealant, Tire (10 oz. Tube)

**NOTE:** All component dimensions given in U.S. inches  
 1 inch = 25.4 mm



**TRACTOR - MODEL NO. M155-107TC (96051006500), PROD. NO. 960 51 00-65**  
**ELECTRICAL 32**

TC03S



**TRACTOR - MODEL NO. M155-107TC (96051006500), PROD. NO. 960 51 00-65  
ELECTRICAL 32**

<b>KEY NO.</b>	<b>PART NO.</b>	<b>DESCRIPTION</b>
1	532 43 71-57	Battery
2	532 44 09-23	Screw Hex Hd Cap M6 x 1.12mm
16	532 17 61-38	Switch Interlock
21	532 40 02-52	Harness Asm Light w/4152J
22	532 00 41-52	Bulb Light #1156
25	532 44 13-82	Cable Battery 8 AWG 20"-Red
26	532 17 51-58	Fuse
27	873 51 04-00	Nut Keps Hex 1/4-20 unc
28	532 44 13-83	Cable Ground 8 AWG 20"-Black
29	532 40 15-45	Switch Seat
30	532 19 33-50	Switch Ignition
33	532 41 19-35	Key/Chain
34	532 11 07-12	Switch Light
40	532 42 10-02	Harness Ignition Dash/Lift
41	817 72 04-08	Screw 1/4-20 x 1/2
43	532 19 25-07	Solenoid
55	817 06 05-12	Screw 5/16-18 x 3/4
71	581 02 33-01	Harness Chassis/Lift Ign.
79	532 17 52-42	Socket Asm.
83	532 43 67-74	Nut Square M6 x 1 x 8.5 x 11mm
87	532 42 10-60	Switch Railmount
102	581 02 35-01	Harness Pigtail
105	532 40 75-68	Switch Reverse
107	532 18 03-79	Switch Full Bagger Indicator
108	532 42 10-62	Switch Snapmount

**NOTE:** All component dimensions given in U.S. inches  
1 inch = 25.4 mm

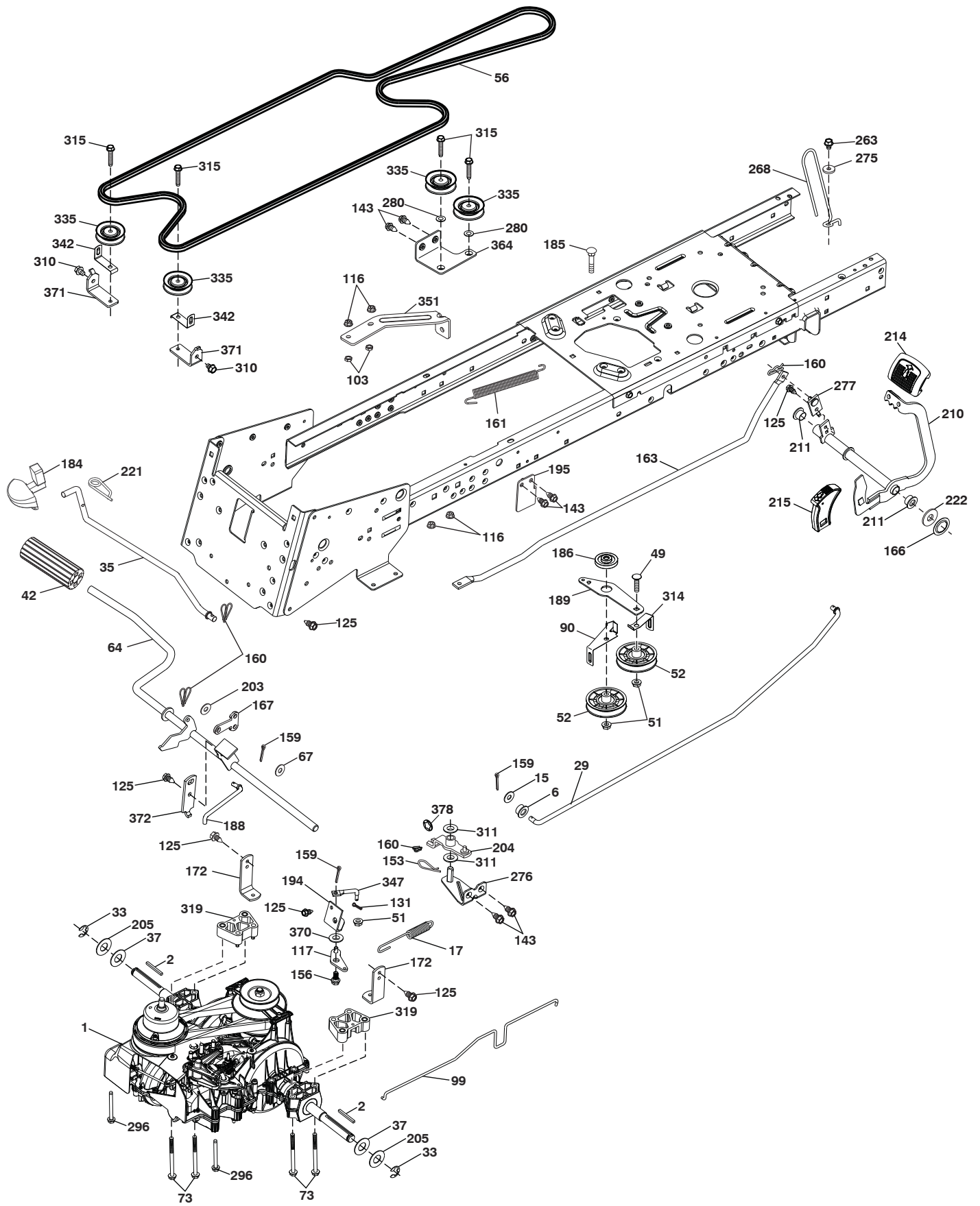


**TRACTOR - MODEL NO. M155-107TC (96051006500), PROD. NO. 960 51 00-65  
CHASSIS AND ENCLOSURES 39**

KEY NO.	PART NO.	DESCRIPTION	KEY NO.	PART NO.	DESCRIPTION
3	578 89 71-01	Emblem Mount	203	581 56 48-01	Vent Hood LH
5	532 40 95-97	Dash	213	874 76 05-12	Bolt 5/16-18 x 3/4
14	581 56 47-01	Hood	217	532 40 91-67	Rod Pivot Hood
15	581 05 58-01	Lens LH	218	532 19 63-95	X-Piece Hood Stop
18	581 05 57-01	Grille	225	581 05 62-01	Trim Ring
25	581 05 59-01	Lens RH	228	532 19 51-61	Stud Fastener
34	580 91 09-01	Plate Engine	235	532 40 61-29	Spacer Fender
36	817 06 05-12	Screw 5/16-18 x 3/4	236	873 93 05-00	Nut Lock 5/16-18 unc
37	532 44 08-49	Fender	237	532 40 37-04	Plug Mount Cargo
52	873 68 05-00	Nut Crown Lock 5/16	282	532 41 41-10	Clip Retainer
62	872 11 06-08	Bolt 3/8-16 x 1 Gr. 5	283	532 44 76-71	Console Deck Lift
68	817 49 05-08	Screw Thdrol. 5/16-18 x 1/2	284	532 44 72-11	Console Shift RH
118	819 13 13-16	Washer 13/32 x 13/16 x 16 Ga.	287	817 60 04-06	Screw Hex Washhead 1/4-20 x 3/8
119	873 68 06-00	Nut 3/8-16 unc	308	532 17 18-77	Bolt 5/16-18 unc x 3/4
130	532 41 63-58	Screw #10 x 0.750 BOS Thread	309	581 32 89-07	Backplate Bagger
150	532 40 02-67	Duct, Air	319	581 31 39-06	Lever Bagger
151	532 18 75-68	Bracket Pivot Hood	334	532 44 25-37	Engine Plate
152	532 19 95-35	Shield Browning	338	532 43 66-40	Bolt Shoulder
159	817 00 06-12	Screw Hexwsh Thdr 3/8-16 x 3/4	339	532 43 66-41	Lever Bagger Full
162	532 14 24-32	Screw Hex Wsh. Hi-Lo 1/4 x 1/2 unc	340	581 32 90-01	Door Battery
175	532 19 94-72	Crossmember	342	532 43 59-38	Support Fender
176	532 40 07-76	Screw 10-24 x 5/8	343	532 44 07-49	Clip
177	532 19 52-28	Bushing Steering	347	532 44 28-87	Hitch
180	583 90 27-01	Chassis	349	532 43 66-06	Bracket, Support
182	532 40 71-76	Dash Lower	366	581 31 46-02	Bracket RH Front Bagger
183	874 52 05-20	Bolt 5/16-18 x 1-1/4	367	581 31 45-02	Bracket LH Front Bagger
189	817 00 05-12	Screw 5/16-18 x 3/4	368	581 42 48-01	Full Lever Bagger
191	581 05 60-01	Insert Reflective RH			
194	873 90 05-00	Nut Lock Hex Flange 5/16-18			
198	532 44 80-48	Indicator Deck Lift			
199	532 41 87-39	Plate Deck Lift			
202	581 56 49-01	Vent Hood RH			

**NOTE:** All component dimensions given in U.S. inches  
1 inch = 25.4 mm

**TRACTOR - MODEL NO. M155-107TC (96051006500), PROD. NO. 960 51 00-65**  
**DRIVE 40**



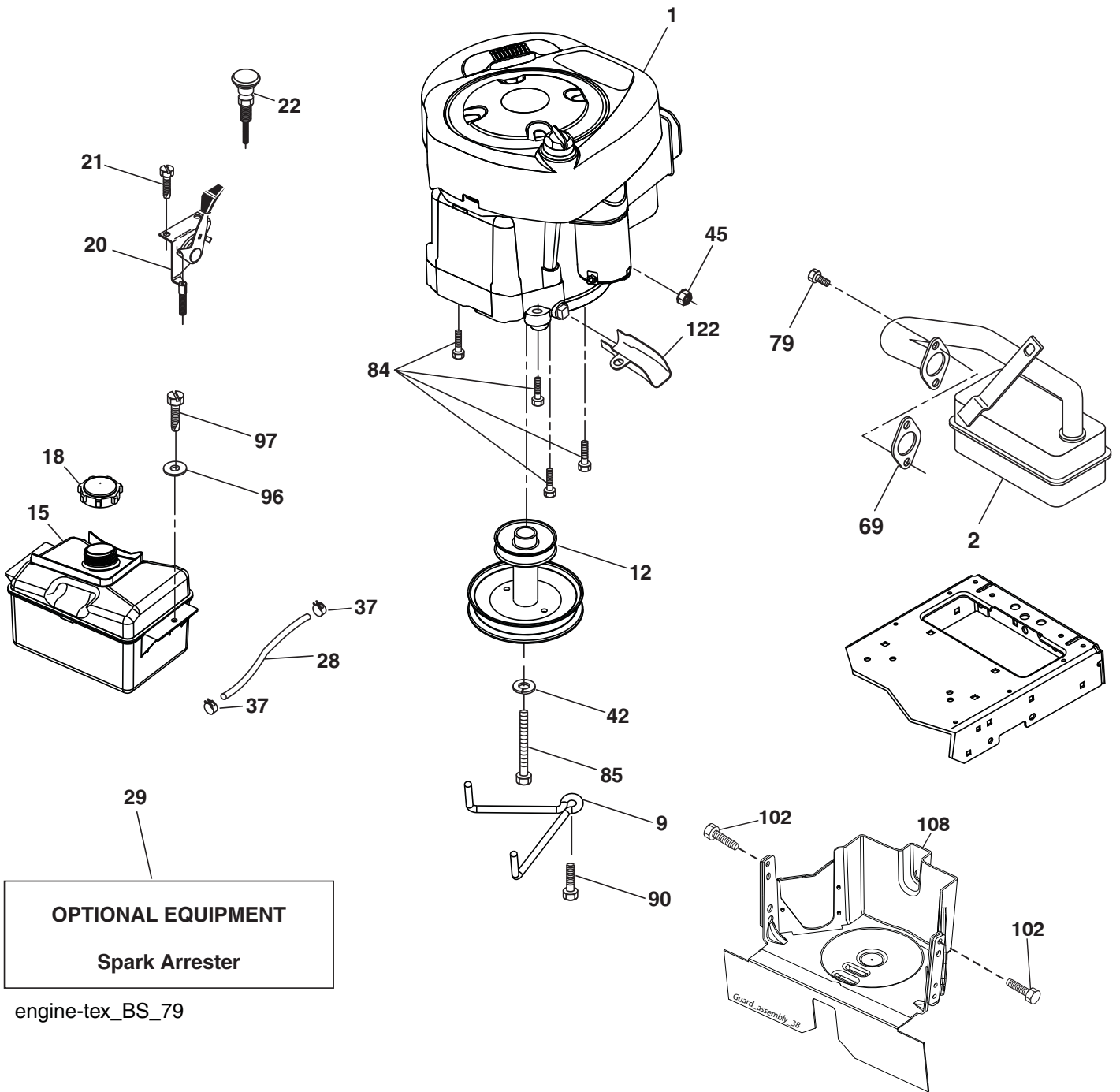


**TRACTOR - MODEL NO. M155-107TC (96051006500), PROD. NO. 960 51 00-65  
DRIVE **40****

KEY NO.	PART NO.	DESCRIPTION	KEY NO.	PART NO.	DESCRIPTION
1	---	Transmission, Gentrans VATR. (580486401) (Order parts from transaxle manufacturer.)	189	532 43 36-11	Bellcrank Groundrive
2	532 12 35-83	Key Square .2.0 x .1845/.1865	194	583 87 86-01	Bellcrank Brake
6	532 12 40-28	Bushing Snap	195	580 45 69-01	Brake Bracket
15	819 13 13-16	Washer	203	819 11 11-16	Washer 11/32 x 11/16 x 16 Ga.
17	580 32 52-01	Spring Brake	204	584 99 70-01	Link Pivot Pedal
29	581 50 35-01	Rod Brake	205	532 12 17-48	Washer 25/32 x 1-5/8 x 16 Ga.
33	812 00 00-01	E-Ring. #5133-75	210	532 44 82-70	Weldment Pedal
35	532 40 10-31	Rod Brake Parking. Lt.Tex	211	532 12 01-83	Bearing Nylon
37	532 18 89-67	Washer Harden .793 x 1.637 x 060	214	532 42 12-63	Pedal Forward Pad
42	532 12 48-72	Cover Pedal Blk Round	215	532 44 82-54	Cap Pedal Reverse
49	872 11 06-14	Bolt Rdhd 3/8-16 Unc x 1-3/4.Gr 5	221	532 40 31-87	Retainer Spring Clip Handle
51	873 90 06-00	Nut, Hex, Flangelock 3/8-16	222	879 21 20-10	Washer 21/32 x 1-1/4 10 Ga.
52	532 19 43-26	Idler V-Groove Offset	263	817 00 06-12	Screw Hexwsh Thdr 3/8-16 X 3/4
56	532 44 69-91	Belt Drive	268	532 18 24-02	Guard Muffler
64	532 44 83-53	Shaft Asm. Pedal Brake	275	819 13 16-14	Washer 13/32 x 1 x 14 Ga.
67	819 13 13-12	Washer 13/32 x 13/16 x 12 Ga.	276	584 99 67-01	Bracket Control Pedal
73	580 83 04-01	Bolt Shoulder Transaxle	277	532 44 85-00	Subasm. Link Rocker Pedal
90	532 44 36-05	Keeper Belt	280	819 11 10-12	Washer
99	580 35 40-01	Rod Bypass	296	532 42 04-71	Screw Thdrol 5/16-18 x 3
103	873 35 05-00	Nut Hex Jam 5/16-18 UNC	310	817 49 06-08	Screw Thdrol 3/8-16 x 1/2
116	873 90 05-00	Nut, Lock Hex Flange 5/16-18 unc	311	584 07 20-01	Washer Nylon
117	580 38 29-01	Subasm Bellcrank Brake	314	532 44 47-13	Keeper Belt
125	817 00 05-12	Screw 5/16-18 x 3/4 Smgml Tap/Bl	315	817 58 05-20	Screw Thdrol 5/16-18 x 1.25
131	876 02 03-08	Pin Cotter 3/32 x 1/2	319	580 45 74-01	Spacer Transaxle
143	817 49 05-08	Screw Thdrol 5/16-18 x 1/2 Tytt	335	532 19 95-34	Pulley V-Idler
153	532 12 49-61	Retainer Clip	342	580 96 10-02	Keeper Belt Idler
156	580 36 90-01	Bolt Shoulder Brake	347	580 32 51-01	Rod Connecting Brake
159	876 02 04-12	Pin Cotter 1/8 x 3/4	351	532 43 69-98	Bracket Swaybar
160	532 16 94-84	Retainer Clip(M).Dia.290	364	532 44 30-32	Bracket Idler
161	532 10 57-09	Spring Return Clutch 6.75	370	878 12 16-32	Washer Thrust 3/8 x 1 x .032
163	532 44 82-72	Rod Control Pedal	371	580 96 07-02	Bracket Idler
166	532 42 91-64	Nut Push .625	372	581 47 52-01	Arm Control Brake
167	532 40 52-57	Latch Brake Parking	378	584 28 77-01	Nut Push
172	532 44 82-76	Strap Torque LH/RH			
184	532 44 14-07	Handle Parking Brake			
185	872 11 06-22	Bolt Rdhd.3/8-16 Unc x 2-3/4 Gr.5			
186	532 19 43-21	Spacer Retainer			
188	532 19 43-23	Link Clutch Ground Drive			

**NOTE:** All component dimensions given in U.S. inches  
1 inch = 25.4 mm

TRACTOR - MODEL NO. M155-107TC (96051006500), PROD. NO. 960 51 00-65  
ENGINE 24



engine-tex\_BS\_79

**TRACTOR - MODEL NO. M155-107TC (96051006500), PROD. NO. 960 51 00-65  
ENGINE 24**

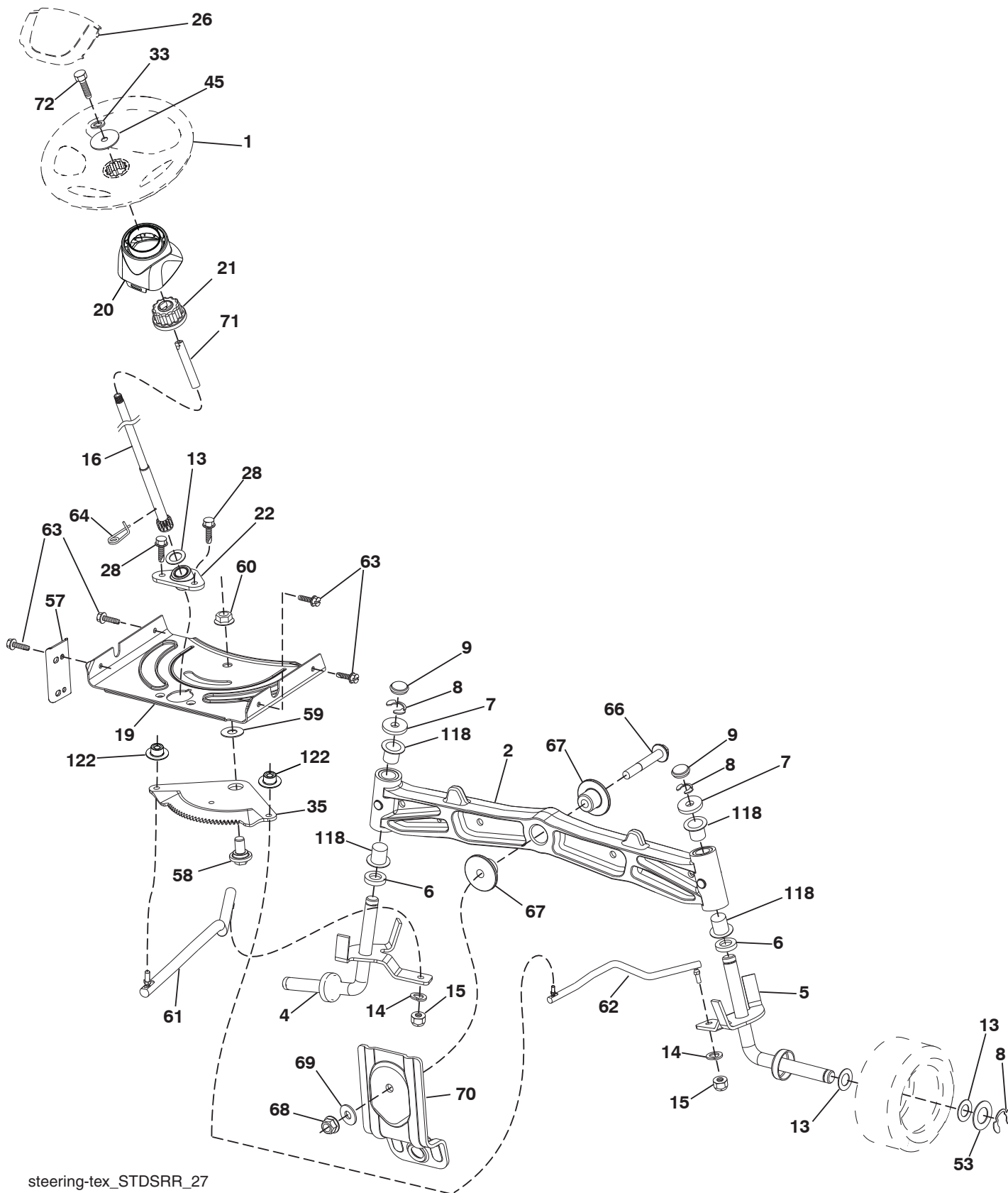
KEY NO.	PART NO.	DESCRIPTION
1	-----	Engine Briggs Model 31A607-2392-B1 (438155) (Order parts from engine manufacturer.)
2	532 13 73-52	Muffler
9	583 84 78-01	Keeper Belt Engine
12	532 40 54-71	Pulley Engine
15	581 28 99-01	Tank Fuel
18	532 43 02-20	Cap Fuel
20	532 18 38-97	Control Throttle/Choke
21	532 41 63-58	Screw #10 x 0.750
22	532 19 49-81	Control Choke
28	532 13 70-40	Line Fuel
29	532 13 71-80	Kit Spark Arrester (Flat Scrn)
37	532 12 34-87	Clamp Hose Blk
42	810 04 07-00	Washer Lock 7/16
45	873 51-04-00	Nut Keps Hex 1/4-20 unc
69	532 16 52-91	Gasket Muffler
79	532 19 23-34	Screw 5/16-18 x .75
84	817 06 06-20	Screw 3/8-16 x 1-1/4
85	532 17 39-37	Bolt 7/16-20 x 4 x Gr. 5-1.5 THR
90	817 00 06-16	Screw 3/8-16 x 1
96	819 09 14-16	Washer 9/32 x 7/8 x 16 Ga.
97	817 67 04-12	Screw Hexwsh Thdrol 1/4-20 x 3/4
102	817 06 05-16	Screw 5/16-18 x 1
108	532 42 30-41	Cover Pulley
122	532 42 19-22	Extension Drain Oil

**NOTE:** All component dimensions given in U.S. inches  
1 inch = 25.4 mm

**Engine Power Rating Information**

The gross power rating for individual gas engine models is labeled in accordance with SAE (Society of Automotive Engineers) code J1940 (Small Engine Power & Torque Rating Procedure), and rating performance has been obtained and corrected in accordance with SAE J1995 (Revision 2002-05). Torque values are derived at 3060 RPM; horsepower values are derived at 3600 RPM. Actual gross engine power will be lower and is affected by, among other things, ambient operating conditions and engine-to-engine variability. Given both the wide array of products on which engines are placed and the variety of environmental issues applicable to operating the equipment, the gas engine will not develop the rated gross power when used in a given piece of power equipment (actual "on-site" or net power). This difference is due to a variety of factors including, but not limited to, accessories (air cleaner, exhaust, charging, cooling, carburetor, fuel pump, etc.), application limitations, ambient operating conditions (temperature, humidity, altitude), and engine-to-engine variability. Due to manufacturing and capacity limitations, Briggs & Stratton may substitute an engine of higher rated power for this Series engine.

**TRACTOR - MODEL NO. M155-107TC (96051006500), PROD. NO. 960 51 00-65**  
**STEERING ASSEMBLY [41]**



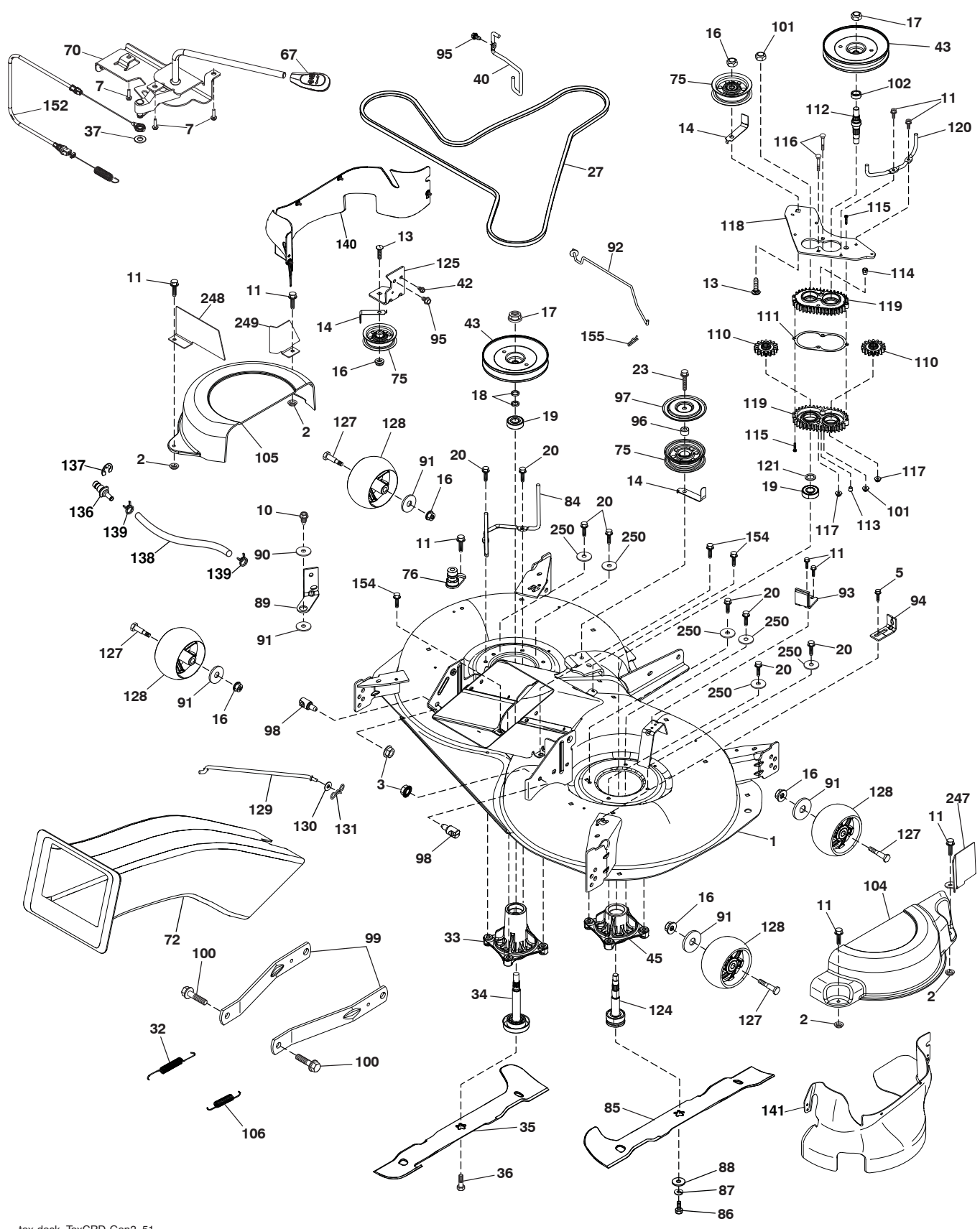
steering-tex\_STDSRR\_27

**TRACTOR - MODEL NO. M155-107TC (96051006500), PROD. NO. 960 51 00-65  
STEERING ASSEMBLY **41****

<b>KEY NO.</b>	<b>PART NO.</b>	<b>DESCRIPTION</b>
1	532 44 28-04	Wheel, Steering
2	532 41 35-91	Axle Asm., Front
4	532 40 30-87	Spindle Asm., LH
5	532 40 30-88	Spindle Asm., RH
6	532 12 49-31	Bearing, Race Thrust Harden
7	532 12 17-48	Washer 25/32 x 1-5/8 x 16 Ga.
8	812 00 00-29	Ring, Klip #T5304-75
9	532 12 12-32	Cap, Spindle
13	532 12 17-49	Washer 25/32 x 1-1/4 x 16 Ga.
14	810 04 06-00	Washer, Lock Hvy Hlcl Spr 3/8
15	873 54 06-00	Nut, Crown Lock 3/8-24 unf
16	532 42 93-73	Shaft Steering
19	532 19 47-29	Plate Steering
20	532 40 97-63	Boot, Steering
21	532 18 67-37	Adapter, Wheel Steering
22	532 42 05-37	Strg. Supt. Lower
26	532 44 28-05	Insert, Wheel Cap
28	817 00 06-12	Screw 3/8-16 x 3/4
33	810 04 05-00	Washer
35	532 19 47-32	Gear, Sector Plate
45	819 18 38-12	Washer 9/16 ID x 2-3/8 OD x 12 Ga.
53	532 18 89-67	Washer Hardened .793 x 1.637 x .060
57	532 40 74-65	Bracket Upstop
58	532 19 47-47	Bolt Shoulder Sector Pivot CFM
59	532 19 47-48	Washer Thrust Sector Steering
60	873 97 10-00	Nut Flange Lock 5/8-11
61	532 19 47-40	Draglink, LH
62	532 19 47-41	Draglink, RH
63	817 00 05-12	Screw 5/16-18 x 3/4
64	532 19 98-49	Retainer Clip Spring Steering
66	871 02 07-48	Bolt Hex Fghd 7/16-14 x 3 Serr
67	532 19 47-37	Bushing PM Front Axle
68	873 90 07-00	Nut Lock Flange 7/16-14 Gr. 5
69	532 19 91-62	Washer 1.5 x .505 x .118
70	532 19 61-97	Bracket Deck Susp. Front
71	532 19 07-52	Shaft
72	532 42 89-82	Bolt 5/16-18 x 4
118	532 40 60-13	Bushing
122	532 44 49-62	Cap Gear Sector

**NOTE:** All component dimensions given in U.S. inches  
1 inch = 25.4 mm

**TRACTOR - MODEL NO. M155-107TC (96051006500), PROD. NO. 960 51 00-65**  
**MOWER DECK 44**



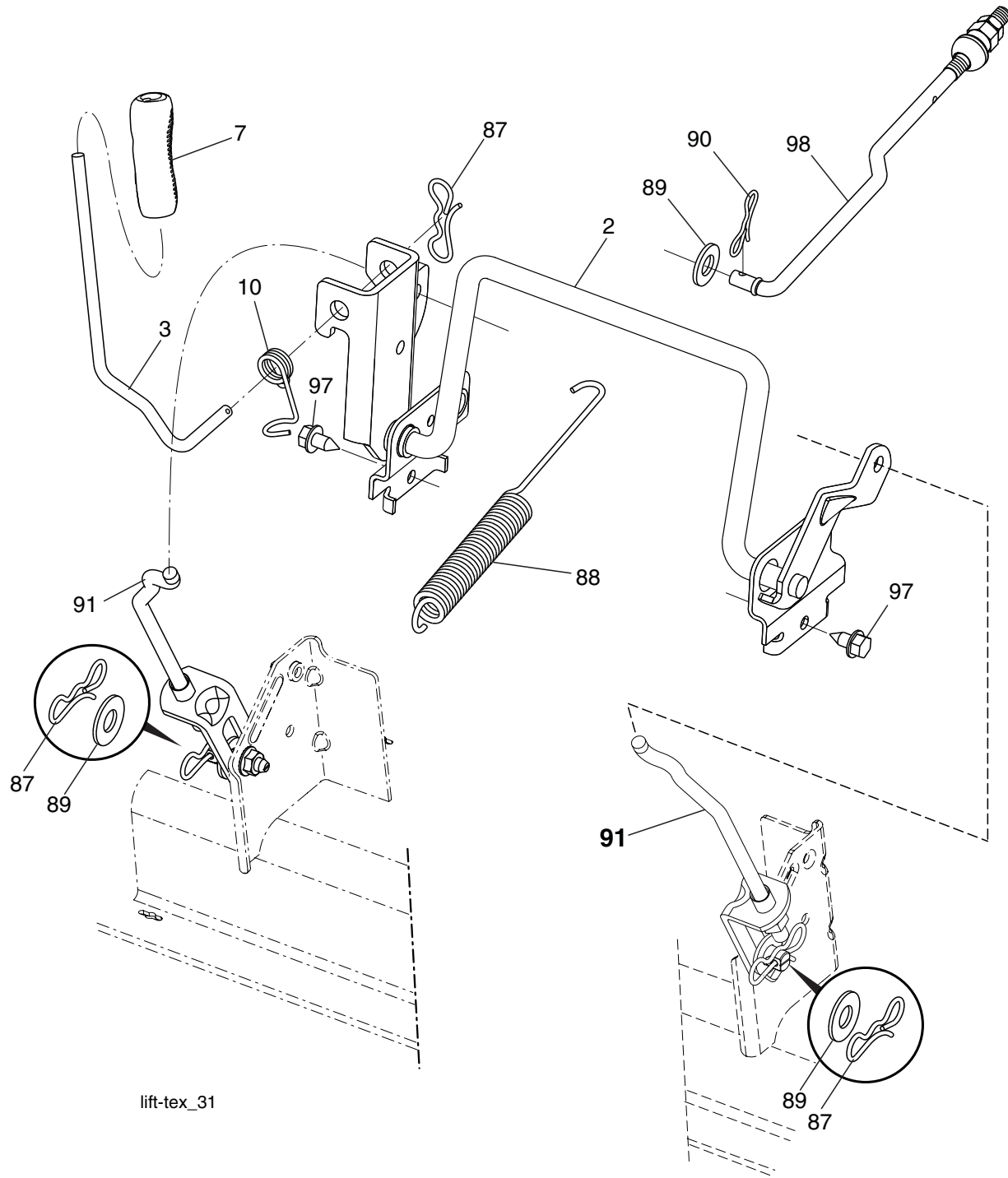
tex-deck\_TexCRD-Gen2\_51

**TRACTOR - MODEL NO. M155-107TC (96051006500), PROD. NO. 960 51 00-65  
MOWER DECK 44**

KEY NO.	PART NO.	DESCRIPTION	KEY NO.	PART NO.	DESCRIPTION
1	532 44 77-36	Deck Weldment	104	581 71 40-01	Mandrel Cover RH
2	532 42 30-62	Palnut	105	532 44 47-55	Mandrel Cover LH
3	873 90 05-00	Nut Lock Hex Flange 5/16-18	106	532 19 32-16	Spring Brake Return
5	817 00 05-10	Bolt 5/16-18	110	532 41 53-56	Gear Output
7	532 41 63-58	Screw #10 x 0.750 BOS Thread	111	532 43 69-79	Gasket Gearcase
10	817 00 06-16	Screw 3/8-16 x 1 smgml tap	112	532 44 38-52	Shaft Gearcase Adapter
11	532 13 77-29	Screw Thd Roll 1/4-20 X 5/8	113	532 43 85-33	Plug Oil
13	872 11 06-12	Bolt Carr Sh 3/8-16 X 1-1/2 Gr. 5	114	532 43 85-34	Valve Relief
14	532 15 60-85	Keeper Belt Idler	115	818 03 10-16	Screw Torx #10-24 x 1
16	873 90 06-00	Nut Lock FIG 3/8 - 16 unc	116	872 11 04-14	Bolt 1/4-20 x 1.75 Gr. 5
17	532 40 02-34	Nut Flange Lock Top	117	873 90 04-00	Nut Hex Flange 1/4-20 unc
18	532 18 76-90	Washer Spacer Mandrel	118	532 44 32-32	Arm Clutching
19	532 11 04-85	Bearing Ball Mandrel	119	532 43 81-66	Gearcase Subasm
20	532 17 39-84	Screw Thread Roll	120	532 44 32-36	Keeper Belt RH
23	817 49 06-28	Screw Thdrol 3/8-16 X 1-3/4	121	532 43 69-85	Washer
27	532 44 58-80	V-Belt Drive	124	581 65 07-01	Shaft Asm Mndrel Short
32	532 40 18-72	Spring Return Deck	125	532 44 04-20	Bracket Idler Chassis
33	580 79 61-01	Housing Mandrel Tall	127	532 19 34-06	Bolt Shoulder 3/8-16 x 3-5/8 Gr. 5
34	580 85 47-01	Shaft Asm Mndrel Tall	128	532 17 48-73	Wheel Gauge
35	581 51 79-01	Blade Mower LH	129	532 44 32-37	Rod Anti-Sway
36	532 19 30-03	Bolt/Washer Asm 7/16-20 unf	130	819 13 13-12	Washer 13/32 x 13/16 x 12 Ga.
37	819 13 13-16	Washer 13/32 x 13/16 x 16 Ga.	131	532 19 42-08	Pin Cotter 5/16 Bow Tie Lock
40	532 19 72-58	Keeper Belt Engine LH	136	532 43 96-39	Washout Port Remote
42	817 00 05-12	Screw 5/16-18 x 3/4	137	812 00 00-29	Ring Klip
43	532 44 32-39	Pulley Mandrel	138	532 44 76-67	Washout Port Hose
45	581 65 08-01	Housing Mandrel Short	139	532 44 07-42	Hose Clamp
67	532 40 30-12	Handle Clutch Cable	140	580 36 99-01	Guard French LH
70	532 40 12-46	Clutch Asm Manual	141	532 44 77-03	Guard French RH
72	581 45 41-01	Chute Upper	152	532 44 76-66	Cable Clutch Manual w/Spring
75	532 13 14-94	Pulley Idler Flat	154	532 19 98-55	Screw Thd Roll 1/4-20 x 1/2
76	532 43 96-40	Washout Port	155	532 12 47-88	Retainer Spring
84	532 44 32-35	Keeper Belt LH Mandrel	247	581 26 34-02	Guard Steel
85	581 51 80-01	Blade Mower RH	248	581 26 36-02	LH Rear French Steel Guard
86	532 18 17-13	Bolt 3/8-24 x 1.50 Gr. 8	249	581 26 35-02	LH Front French Steel Guard
87	810 03 06-00	Washer Lock Hvy 3/8	250	819 11 12-12	Washer 11/32 x 3/4 x 12 Ga.
88	532 14 02-96	Washer Hard Blade Mower Vented	--	580 85 60-01	Mandrel Assembly-Tall(Includes Housing (key #33), Shaft Assembly (key #34), and Bearing (key #19) Only - Pulley/Nut/Washer And Blade Bolt/Washers Not Included)
89	532 19 72-61	Arm Brake 97 LH	--	581 65 05-01	Mandrel Assembly-Short(Includes Housing (key #45), Shaft Assembly (key #124), and Bearing (key #19) Only - Pulley/Nut/Washer And Blade Bolt/Washers Not Included)
90	532 19 90-92	Spacer Retainer	--	581 96 49-01	Replacement Mower Complete
91	819 13 20-12	Washer 13/32 x 1-1/4 x 12 Ga.			
92	532 44 32-33	Rod Brake Assembly			
93	532 43 81-25	Arm Brake RH			
94	532 19 72-50	Bracket Clutch Cable			
95	817 00 06-12	Screw 3/8-16 x 3/4			
96	532 40 02-71	Spacer			
97	532 18 20-61	Shield Idler Mower			
98	532 19 51-61	Stud Fastener			
99	532 19 51-86	Arm Suspension Mower Rear			
100	532 19 65-39	Bolt Shoulder			
101	873 68 09-00	Nut Crownlock 9/16 - 18 unc			
102	532 40 25-11	Spacer Bearing Swing Plate			

**NOTE:** All component dimensions given in U.S. inches  
1 inch = 25.4 mm

**TRACTOR - MODEL NO. M155-107TC (96051006500), PROD. NO. 960 51 00-65**  
**MOWER LIFT 45**



lift-tex\_31

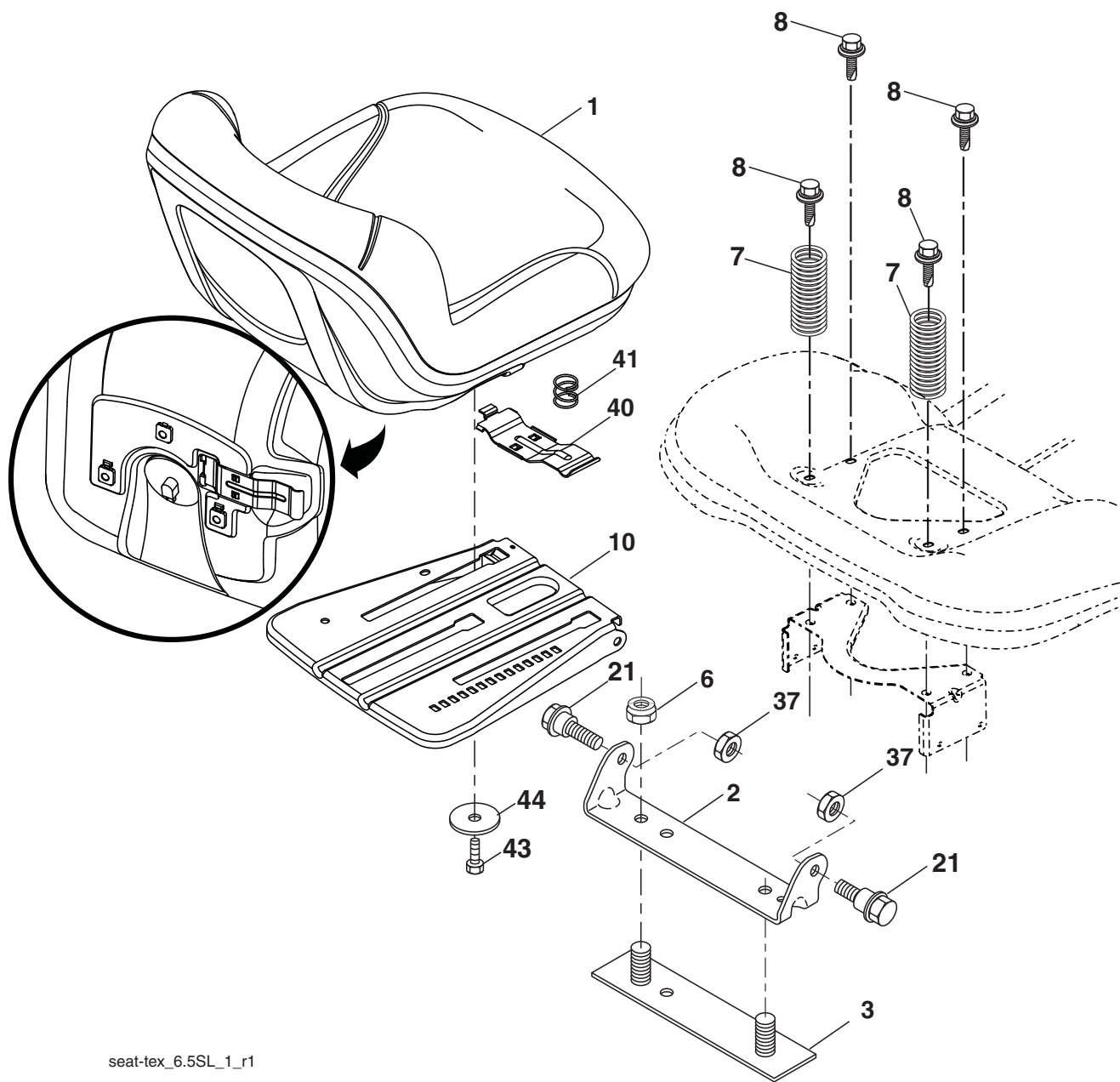
KEY NO.	PART NO.	DESCRIPTION
2	532 43 69-96	Deck Lift
3	532 19 52-31	Lever Asm., Lift RH
7	580 96 23-01	Grip, Lever
10	532 19 63-14	Spring Torsion
87	532 19 42-09	Pin Cotter 7/16 Bow Tie Lock
88	532 44 54-96	Spring Lift Assist
89	819 19 19-12	Washer 17/32 x 1-3/16 x 12 Ga.
90	532 19 42-08	Pin Cotter 5/16 Bow Tie Lock

KEY NO.	PART NO.	DESCRIPTION
91	532 19 51-81	Link Lift Susp Mower Rear
97	817 49 06-08	Screw 3/8-16 x 1/2
98	532 42 05-25	Link Lift Susp. Front Mower

**NOTE:** All component dimensions given in U.S. inches  
 1 inch = 25.4 mm



**TRACTOR - MODEL NO. M155-107TC (96051006500), PROD. NO. 960 51 00-65  
SEAT ASSEMBLY 42**



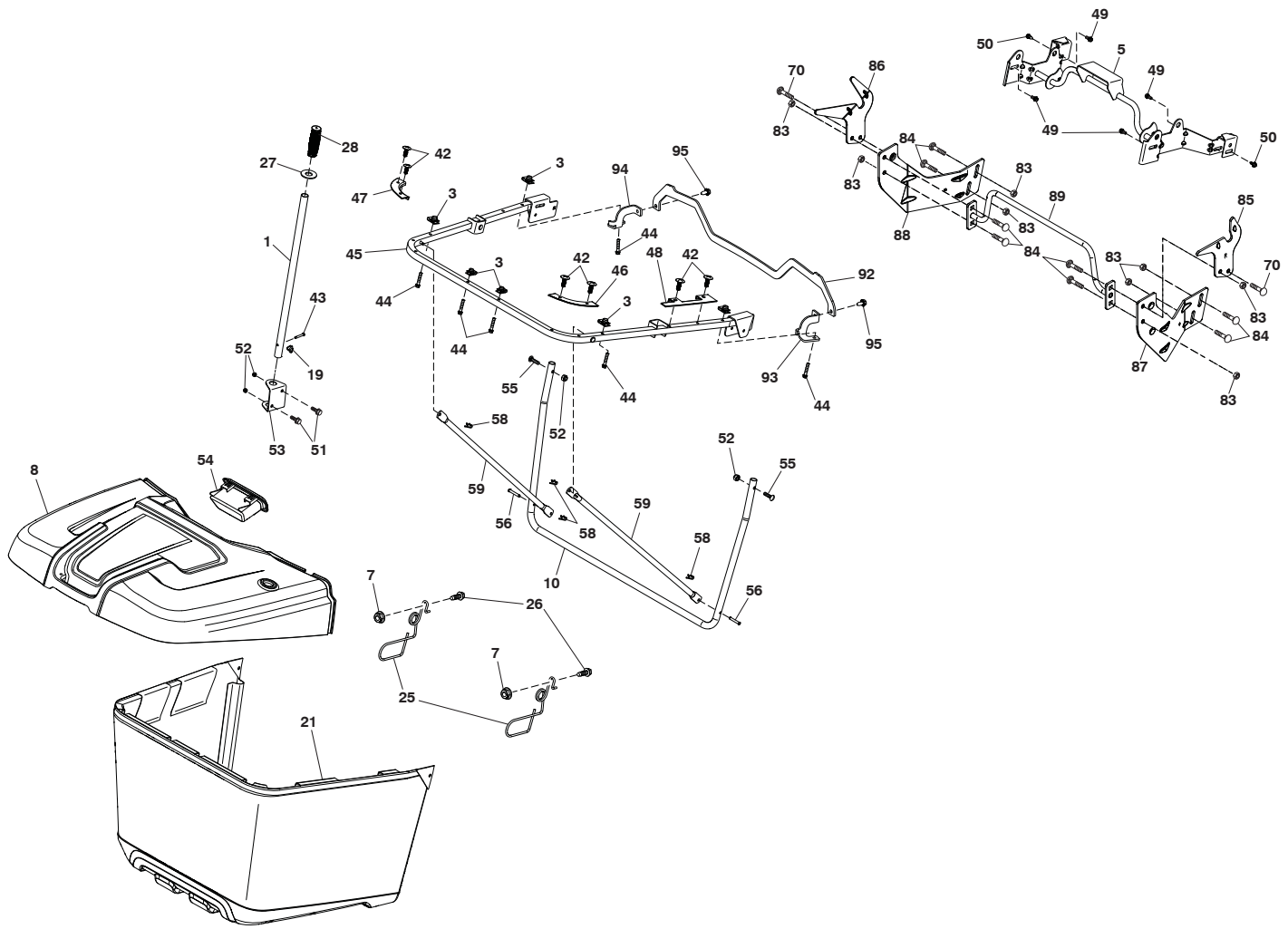
seat-tex\_6.5SL\_1\_r1

KEY NO.	PART NO.	DESCRIPTION
1	581 46 21-01	Seat
2	532 18 01-66	Bracket Pnt Pivot Fender
3	532 14 06-75	Strap
6	873 80 06-00	Nut Lock Hex w/Ins 3/8-16
7	532 12 41-81	Spring Seat Cprsn 2 250 Blk Zi
8	532 17 18-77	Bolt 5/16-18 unc x 3/4
10	532 19 69-77	Pan Pnt Seat
21	532 17 18-52	Bolt Shoulder 5/16-18 unc-2A

KEY NO.	PART NO.	DESCRIPTION
37	873 80 05-00	Nut Hex Lock w/Ins 5/16-18
40	532 19 76-61	Handle Slide
41	532 19 82-00	Spring Latch
43	874 76 06-12	Bolt 3/8-16 unc x 3/4
44	819 13 38-12	Washer 13/32 x 2-3/8 x 12 Ga.

**NOTE:** All component dimensions given in U.S. inches  
1 inch = 25.4 mm

TRACTOR - MODEL NO. M155-107TC (96051006500), PROD. NO. 960 51 00-65  
BAGGER **46**



Bagger\_TexCRD-Gen2\_8

**TRACTOR - MODEL NO. M155-107TC (96051006500), PROD. NO. 960 51 00-65  
BAGGER 46**

<b>KEY NO.</b>	<b>PART NO.</b>	<b>DESCRIPTION</b>
1	532 42 86-10	Tube Handle Bagger
3	532 17 48-14	Nut Push
5	532 44 37-62	Frame Asm Top Bagger
7	873 90 04-00	Nut Hex Flange 1/4-20 unc
8	532 44 78-28	Cover Bagger
10	532 44 37-55	Frame Front
19	532 19 42-08	Cotter Pin 5/16 Bow Tie
21	581 33 71-01	Bag Asm
25	532 44 55-28	Latch Bagger
26	817 49 04-12	Screw Hexwsh Thdrol 1 1/4~20 x 3/4
27	532 44 55-29	Grommet Rubber
28	532 16 57-87	Grip Handle Black
42	532 44 04-28	Christmas Tree Clip
43	532 12 68-75	Clevis Pin
44	532 19 96-87	Bolt 1/4-20 1.50
45	532 44 37-54	Upper U Frame Weldment
46	532 44 55-41	Bagger Corner Close-Out RH
47	532 44 40-79	Bagger Corner Close-Out LH
48	532 44 40-80	Top Bagger Side Close-Out
49	532 17 18-73	Bolt Shoulder 5/16~ 18 TT
50	532 17 18-77	Bolt 5/16-18 unc x 3/4 W/SEMS
51	872 11 05-06	Bolt RDHDSQNK 5/16-18 unc x 3/4
52	873 80 05-00	Nut Lock HX W/INS 5/16-18 UNC
53	532 44 41-95	Bracket Dump Handle
54	532 44 75-43	Bagger TOP Front Handle
55	872 14 05-12	Bolt Rdhd Sq 5/16-18UNCX1 1/2
56	532 42 03-06	Pin Clevis .1830DX1.26 long
58	532 08 51-79	Clip Retainer PM
59	532 44 47-63	Bagger Spread Tube
70	817 00 06-12	Bolt 3/8-16X3/4
83	873 80 06-00	Nut Lock Hex w/Ins 3/8-16
84	872 11 06-08	Bolt RDHD SQNK 3/8-16 x 1 Gr. 5
85	581 31 44-02	Bracket RH Pivot
86	581 31 43-02	Bracket LH Pivot
87	581 31 48-02	Bracket RH
88	581 31 47-02	Bracket LH
89	581 31 51-02	Tube Asm.
92	586 05 23-02	Bracket Top Support
93	586 05 24-02	Bracket Support RH
94	586 05 25-02	Bracket Support LH
95	817 00 05-12	Screw 5/16-18 x 3/4

**NOTE:** All component dimensions given in U.S. inches  
1 inch = 25.4 mm

