

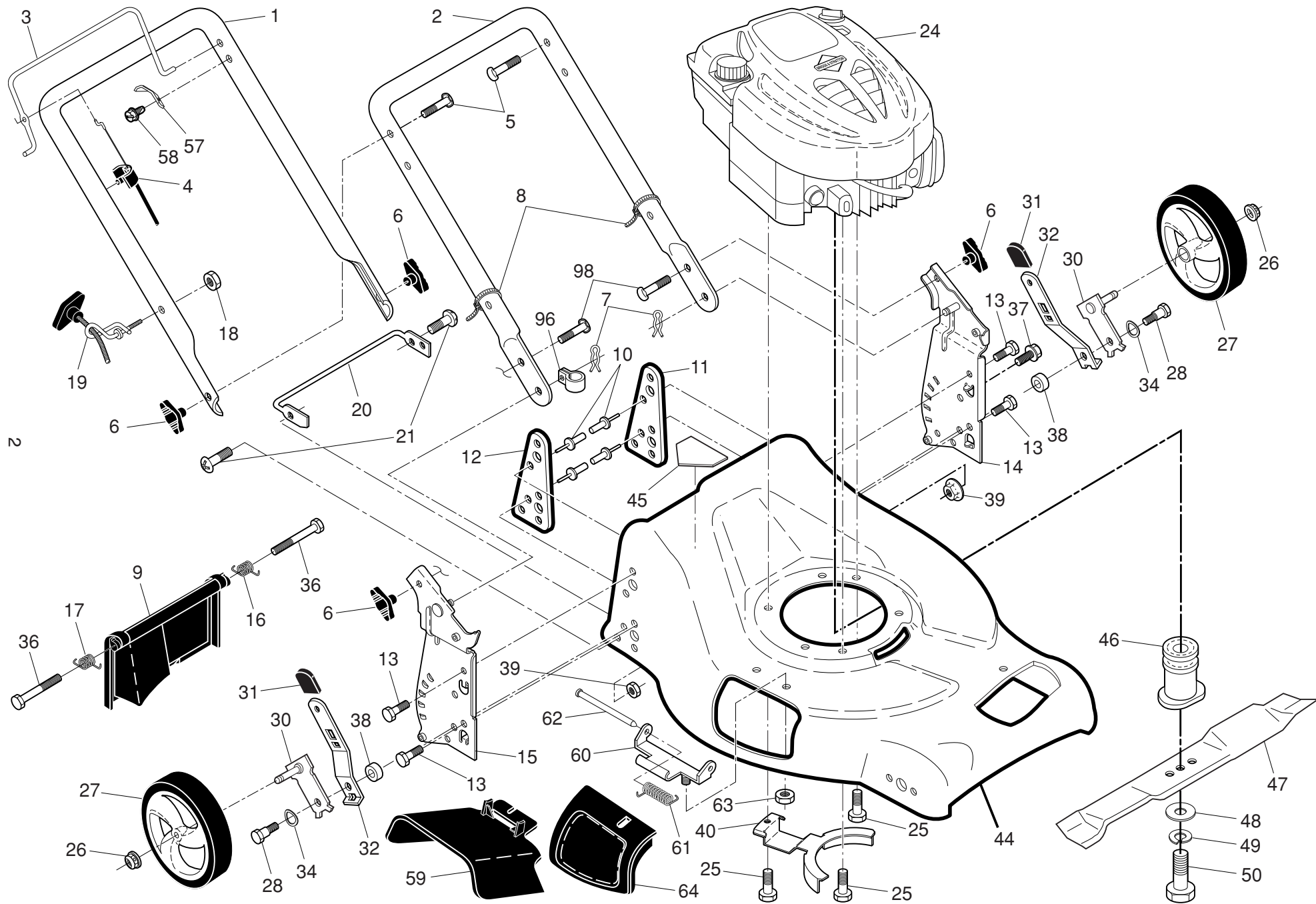
ILLUSTRATED PARTS LIST

MODEL NUMBER M53-625D 3IN1

PRODUCT NUMBER 961 41 02-56

MFG. ID. NUMBER 96141025600

ROTARY LAWN MOWER - MODEL NUMBER M53-625D 3IN1 (96141025600) PRODUCT NO. 961 41 02-56



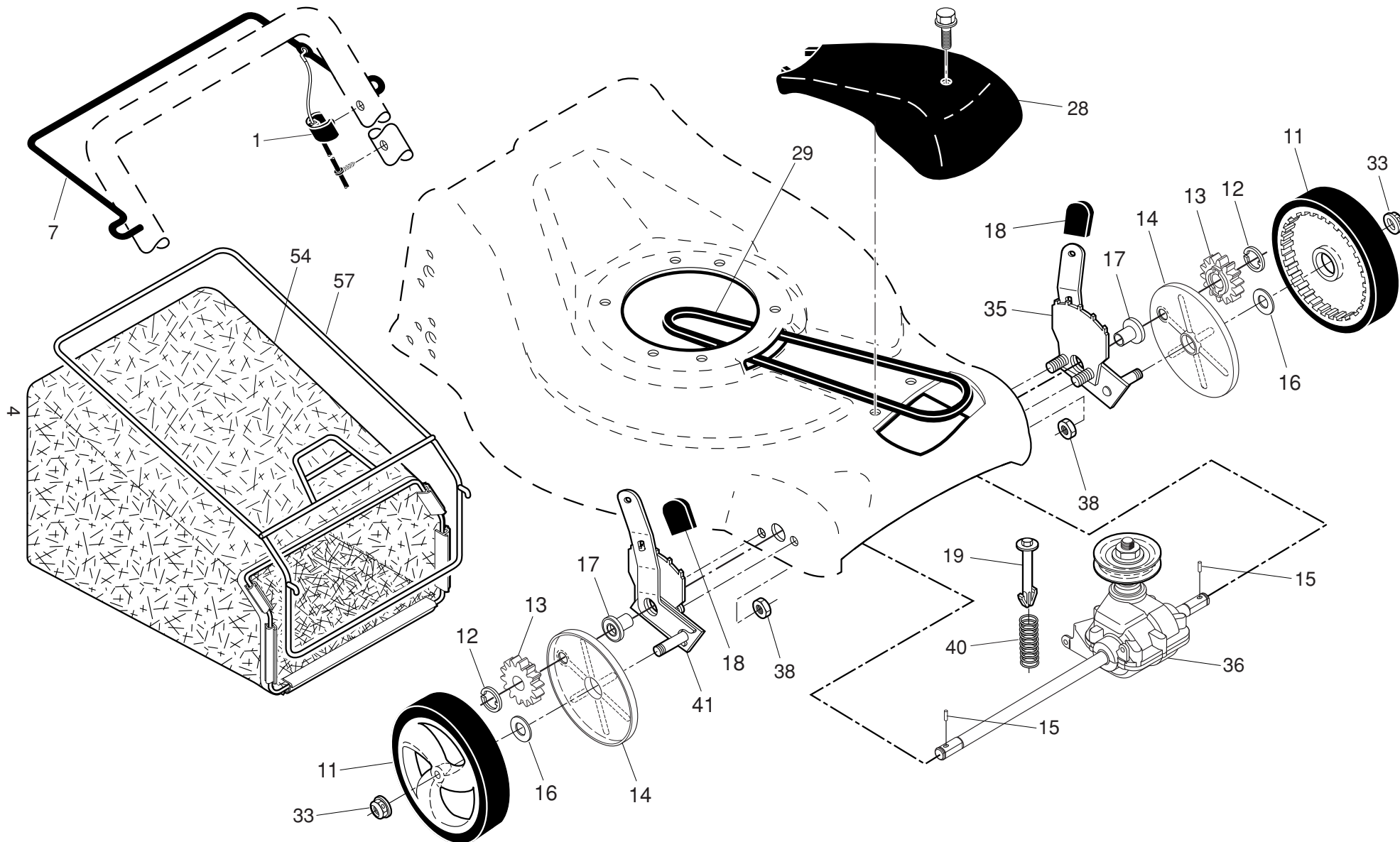
ROTARY LAWN MOWER - MODEL NUMBER **M53-625D 3IN1** (96141025600) PRODUCT NO. 961 41 02-56

KEY NO.	PART NO.	DESCRIPTION	KEY NO.	PART NO.	DESCRIPTION
1	532 42 77-38	Upper Handle	32	532 41 08-88	Selector Spring
2	532 43 45-14	Lower Handle	34	532 40 16-30	Washer, Curved, Cylindrical
3	532 19 84-64	Control Bar	36	532 18 41-93	Bolt
4	532 18 35-67	Engine Zone Control Cable	37	817 06 04-10	Screw 1/4-20 x 5/8
5	532 19 15-74	Handle Bolt	38	532 40 16-29	Washer
6	532 44 50-19	Handle Knob	39	532 15 53-77	Nut, Hex
7	532 05 17-93	Hairpin Cotter	40	532 42 90-01	Belt Keeper
8	532 06 64-26	Wire Tie	44	532 40 92-65	Kit, Lawn Mower Housing (Includes Key Numbers 10, 11, 12 and 45)
9	532 40 69-85	Rear Door	45	532 18 21-66	Danger Decal
10	532 12 84-15	Pop Rivet	46	532 43 46-25	Blade Adapter
11	532 41 05-40	Support Bracket, LH	47	532 19 93-77	Blade, 21"
12	532 41 05-42	Support Bracket, RH	48	532 85 10-74	Hardened Washer
13	817 06 04-10	Screw 1/4-20 x 5/8	49	532 85 02-63	Helical Washer 3/8-24 x 1-3/8 Grade 8
14	532 43 45-63	Handle Bracket Assembly, LH	50	532 85 10-84	Hex Head Machine Screw 3/8-24 x 1-3/8 Grade 8
15	532 43 45-62	Handle Bracket Assembly, RH	57	532 12 51-62	Upstop Bracket
16	532 40 54-17	Spring, Rear Door, LH	58	532 75 06-34	Screw
17	532 40 54-18	Spring, Rear Door, RH	59	532 17 50-71	Discharge Deflector
18	532 13 20-04	Keps Locknut 1/4-20	60	532 17 57-35	Bracket, Hinge
19	532 19 47-88	Rope Guide	61	532 19 30-00	Spring, Hinge
20	532 43 61-19	Foot Guard, C.E.	62	532 17 56-50	Rod, Hinge
21	817 49 04-16	Screw, Tapping 1/4-20 x 1/2	63	873 80 04-00	Nut, Hex 1/4-20
24	- - -	Engine, Briggs & Stratton, Model No. 122T02-1614-H1 (order parts from engine manufacturer)	64	532 17 50-66	Mulcher Door
25	532 15 04-06	Hex Head Thread Rolling Screw 3/8-16 x 1-1/8	96	532 19 79-91	Clip, Cable
26	532 40 91-48	Hex Flange Nut	98	872 25 05-05	Bolt, Carriage 5/16-18 x 5/8
27	532 40 61-55	Wheel & Tire Assembly, Rear, 8"	--	532 18 21-34	Decal, Warning, Internal, Self-Propelled (not shown)
28	532 40 16-38	Shoulder Bolt 5/16-18 x .33	--	532 44 49-12	Operator's Manual, European
30	532 41 21-74	Axle Arm Assembly, Rear	--	532 44 49-13	Operator's Manual, Scandinavian
31	532 08 78-77	Selector Knob	--	532 44 49-15	Operator's Manual, East Bloc
			--	532 44 49-14	Operator's Manual, Baltic

NOTE: All component dimensions given in U.S. inches. 1 inch = 25.4 mm

IMPORTANT: Use only Original Equipment Manufacturer (O.E.M.) replacement parts. Failure to do so could be hazardous, damage your lawn mower and void your warranty.

ROTARY LAWN MOWER - MODEL NUMBER M53-625D 3IN1 (96141025600) PRODUCT NO. 961 41 02-56



ROTARY LAWN MOWER - MODEL NUMBER M53-625D 3IN1 (96141025600) PRODUCT NO. 961 41 02-56

KEY NO.	PART NO.	DESCRIPTION	KEY NO.	PART NO.	DESCRIPTION
1	532 19 46-53	Drive Cable Assembly	28	532 43 26-65	Drive Cover Assembly (includes Mounting Screw and Pushnut)
7	532 19 84-53	Control Bar, Drive	29	532 17 54-36	V-Belt
11	532 40 29-36	Wheel & Tire Assembly	33	532 40 91-48	Locknut, Hex
12	812 00 00-58	E-Ring	35	532 43 84-85	Kit, Wheel Adjuster, LH (Includes Knob and Bearing)
13	532 40 38-49	Pinion	36	532 41 52-25	Gearcase Assembly, Complete
14	532 18 94-03	Dust Cover	38	873 80 04-00	Locknut, Hex 1/4-20
15	532 40 48-45	Pawl, Drive	40	532 13 70-90	Spring
16	532 06 77-25	Washer 1/2 x 1-1/2 x .134	41	532 43 84-86	Kit, Wheel Adjuster, RH (Includes Knob and Bearing)
17	532 42 18-36	Bearing Assembly, Wheel Adjuster	54	532 40 19-05	Grassbag Assembly
18	532 08 78-77	Selector Knob	57	532 41 19-50	Frame, Grassbag
19	532 15 04-95	Spring, Tension, Belt			

NOTE: All component dimensions given in U.S. inches. 1 inch = 25.4 mm

IMPORTANT: Use only Original Equipment Manufacturer (O.E.M.) replacement parts. Failure to do so could be hazardous, damage your lawn mower and void your warranty.