

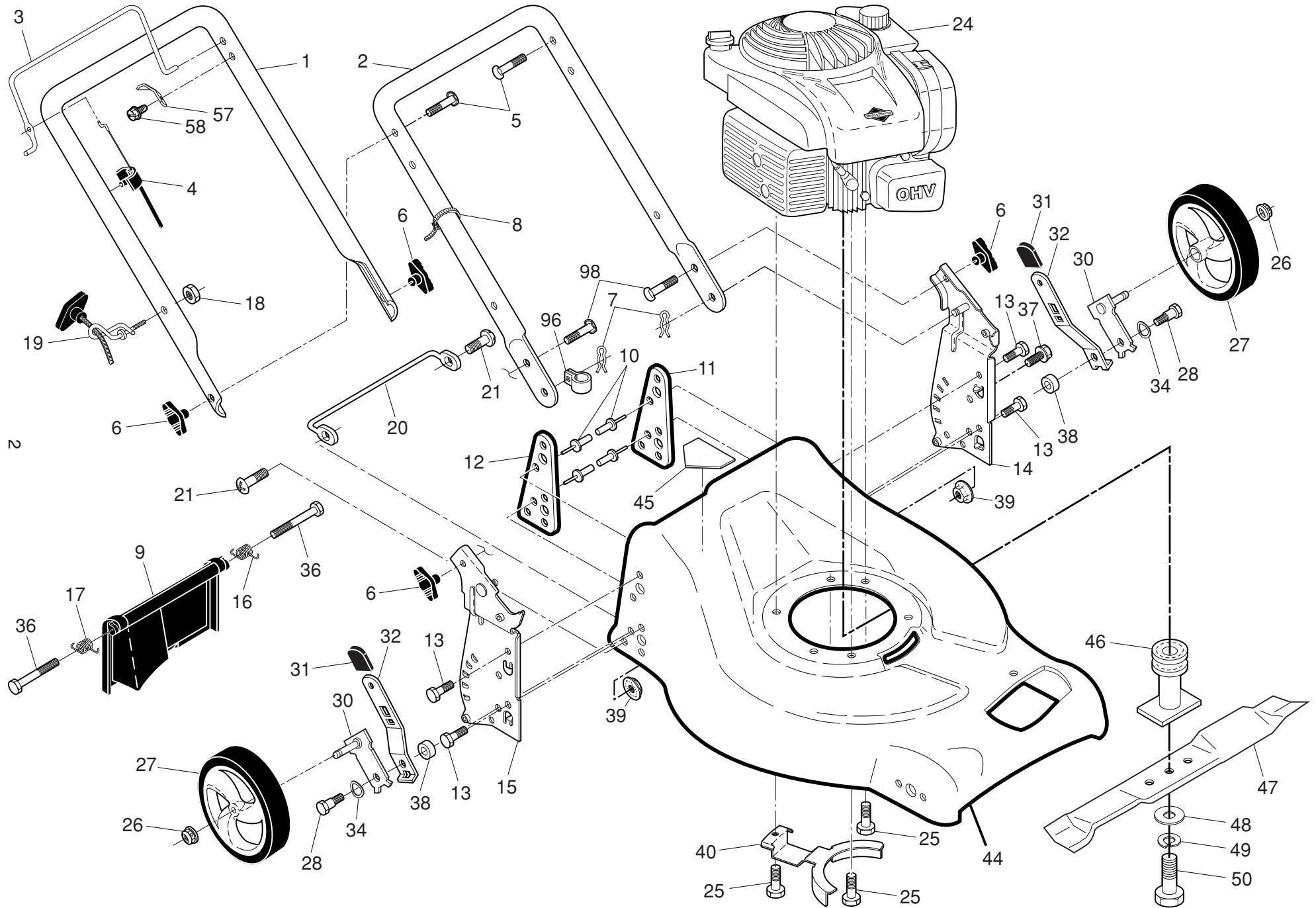
**ILLUSTRATED PARTS LIST**

**MODEL NUMBER M51-501CMD**

**PRODUCT NUMBER 961 41 02-44**

**MFG. ID. NUMBER 96141024400**

**ROTARY LAWN MOWER - MODEL NUMBER M51-501CMD (96141024400) PRODUCT NUMBER 961 41 02-44**



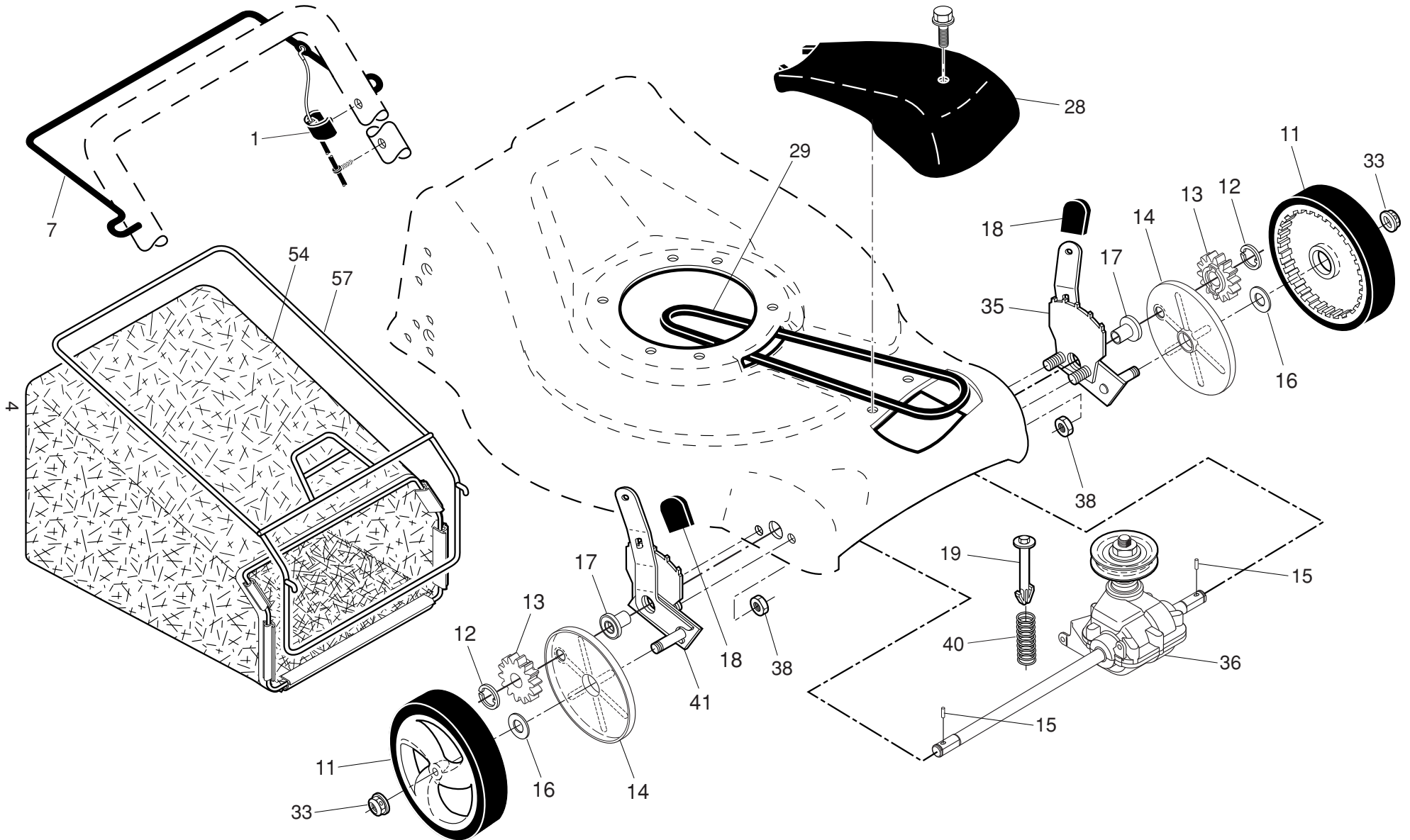
# ROTARY LAWN MOWER - MODEL NUMBER **M51-501CMD** (96141024400) PRODUCT NUMBER 961 41 02-44

KEY NO.	PART NO.	DESCRIPTION	KEY NO.	PART NO.	DESCRIPTION
1	532 42 77-38	Upper Handle	30	532 41 21-74	Axle Arm Assembly, Rear
2	532 43 45-14	Lower Handle	31	532 08 78-77	Selector Knob
3	532 42 77-39	Control Bar	32	532 41 08-88	Selector Spring
4	532 18 35-67	Engine Zone Control Cable	34	532 40 16-30	Washer, Curved, Cylindrical
5	532 19 15-74	Handle Bolt	36	532 18 41-93	Bolt
6	532 19 19-38	Handle Knob	37	817 06 04-10	Screw 1/4-20 x 5/8
7	532 05 17-93	Hairpin Cotter	38	532 40 16-29	Washer
8	532 06 64-26	Wire Tie	39	532 15 53-77	Nut, Hex
9	532 40 69-85	Rear Door	40	532 42 90-01	Belt Keeper
10	532 12 84-15	Pop Rivet	44	532 40 93-64	Kit, Lawn Mower Housing (Includes Key Numbers 10, 11, 12 and 45)
11	532 41 05-40	Support Bracket, LH	45	532 18 21-66	Danger Decal
12	532 41 05-42	Support Bracket, RH	46	532 40 46-32	Blade Adapter
13	817 06 04-10	Screw 1/4-20 x 5/8	47	532 19 93-77	Blade, 21"
14	532 43 45-63	Handle Bracket Assembly, LH	48	532 85 10-74	Hardened Washer
15	532 43 45-62	Handle Bracket Assembly, RH	49	532 85 02-63	Helical Washer 3/8-24 x 1-3/8 Grade 8
16	532 40 54-17	Spring, Rear Door, LH	50	532 85 10-84	Hex Head Machine Screw 3/8-24 x 1-3/8 Grade 8
17	532 40 54-18	Spring, Rear Door, RH	57	532 12 51-62	Upstop Bracket
18	532 13 20-04	Keps Locknut 1/4-20	58	532 75 06-34	Screw
19	532 19 47-88	Rope Guide	96	532 19 79-91	Clip, Cable
20	532 43 61-19	Foot Guard, C.E.	98	872 25 05-05	Bolt, Carriage 5/16-18 x 5/8
21	817 49 04-16	Screw, Tapping 1/4-20 x 1/2	--	532 18 21-91	Decal, Warning (not shown)
24	---	Engine, Briggs & Stratton, Model No. <b>9P602-0005-H1</b> (order parts from engine manufacturer)	--	532 18 21-34	Decal, Warning, Self-Propelled (not shown)
25	532 15 04-06	Hex Head Thread Rolling Screw 3/8-16 x 1-1/8	--	532 44 46-02	Operator's Manual, European
26	532 40 91-48	Hex Flange Nut	--	532 44 46-06	Operator's Manual, Scandinavian
27	532 40 61-55	Wheel & Tire Assembly, Rear, 8"	--	532 44 46-08	Operator's Manual, East Bloc
28	532 40 16-38	Shoulder Bolt 5/16-18 x .33	--	532 44 46-07	Operator's Manual, Baltic

**NOTE:** All component dimensions given in U.S. inches. 1 inch = 25.4 mm

**IMPORTANT:** Use only Original Equipment Manufacturer (O.E.M.) replacement parts. Failure to do so could be hazardous, damage your lawn mower and void your warranty.

**ROTARY LAWN MOWER - MODEL NUMBER M51-501CMD (96141024400) PRODUCT NUMBER 961 41 02-44**



# ROTARY LAWN MOWER - MODEL NUMBER **M51-501CMD** (96141024400) PRODUCT NUMBER 961 41 02-44

KEY NO.	PART NO.	DESCRIPTION	KEY NO.	PART NO.	DESCRIPTION
1	532 19 46-53	Drive Cable Assembly	28	532 43 26-65	Drive Cover Assembly (includes Mounting Screw and Pushnut)
7	532 19 84-53	Control Bar, Drive	29	532 17 54-36	V-Belt
11	532 40 29-36	Wheel & Tire Assembly	33	532 40 91-48	Locknut, Hex
12	812 00 00-58	E-Ring	35	532 43 84-85	Kit, Wheel Adjuster, LH (Includes Knob and Bearing)
13	532 40 38-49	Pinion	36	532 41 52-25	Gearcase Assembly, Complete
14	532 18 94-03	Dust Cover	38	873 80 04-00	Locknut, Hex 1/4-20
15	532 40 48-45	Pawl, Drive	40	532 13 70-90	Spring
16	532 06 77-25	Washer 1/2 x 1-1/2 x .134	41	532 43 84-86	Kit, Wheel Adjuster, RH (Includes Knob and Bearing)
17	532 42 18-36	Bearing Assembly, Wheel Adjuster	54	532 40 19-05	Grassbag Assembly
18	532 08 78-77	Selector Knob	57	532 41 19-50	Frame, Grassbag
19	532 15 04-95	Spring, Tension, Belt			

**NOTE:** All component dimensions given in U.S. inches. 1 inch = 25.4 mm

**IMPORTANT:** Use only Original Equipment Manufacturer (O.E.M.) replacement parts. Failure to do so could be hazardous, damage your lawn mower and void your warranty.