

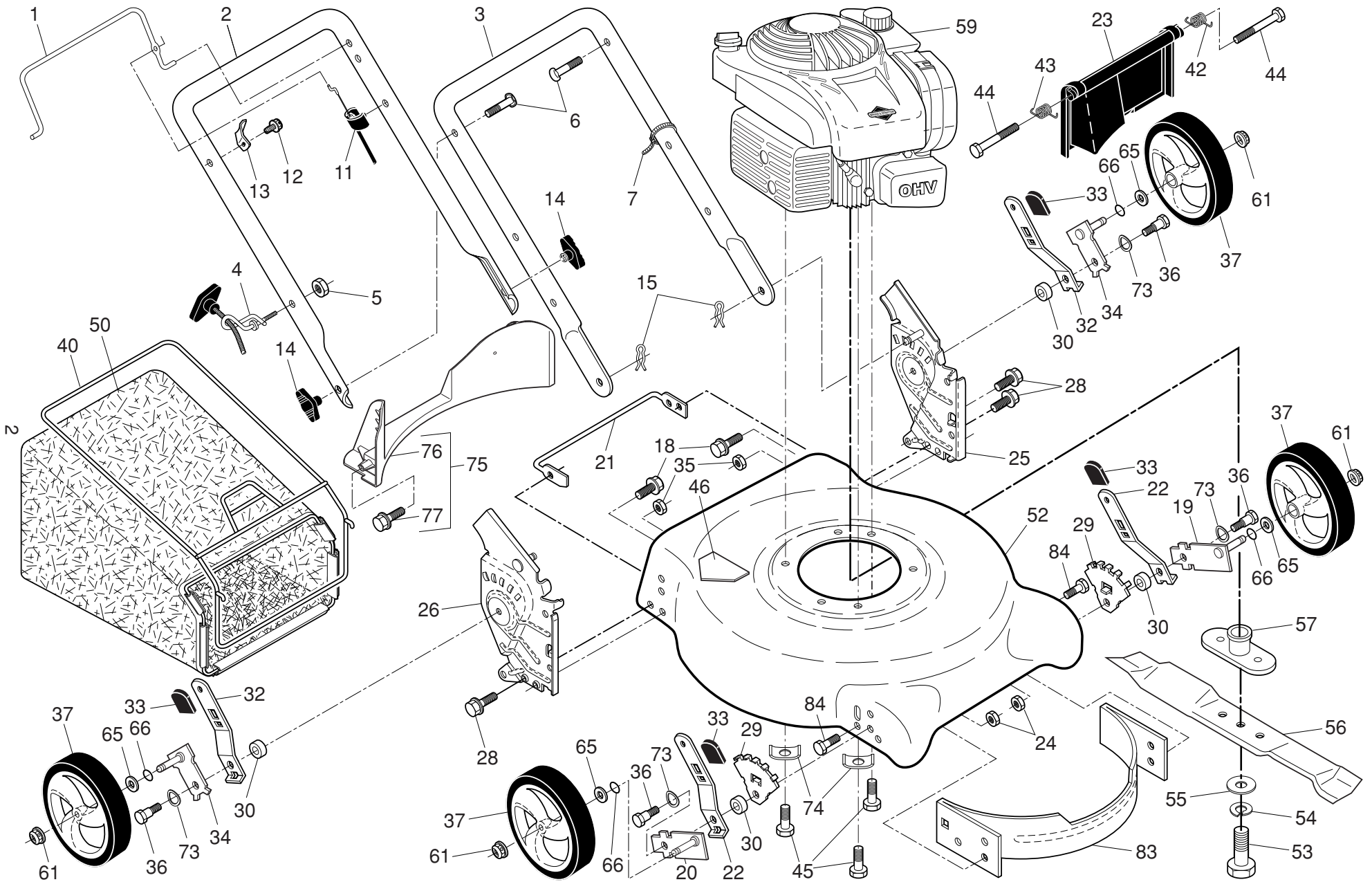
ILLUSTRATED PARTS LIST

MODEL NUMBER M53-551CM

PRODUCT NUMBER 961 31 00-29

MFG. ID. NUMBER 96131002900

ROTARY LAWN MOWER - MODEL NUMBER M53-551CM (96131002900) PRODUCT NUMBER 961 31 00-29



ROTARY LAWN MOWER - MODEL NUMBER M53-551CM (96131002900) PRODUCT NUMBER 961 31 00-29

| KEY NO. | PART NO. | DESCRIPTION | KEY NO. | PART NO. | DESCRIPTION |
|---------|--------------|------------------------------------|---------|--------------|--|
| 1 | 532 19 60-25 | Control Bar | 40 | 532 41 19-49 | Frame, Grassbag |
| 2 | 532 44 82-63 | Upper Handle | 42 | 532 40 54-21 | Spring, Rear Door, LH |
| 3 | 532 43 45-14 | Lower Handle | 43 | 532 40 54-23 | Spring, Rear Door, RH |
| 4 | 532 19 47-88 | Rope Guide | 44 | 532 18 41-93 | Bolt, Rear Door |
| 5 | 532 13 20-04 | Locknut, Hex 1/4-20 | 45 | 532 15 04-06 | Hex Head Thread Rolling Screw 3/8-16 x 1 |
| 6 | 532 19 15-74 | Handle Bolt | 46 | 532 18 21-66 | Danger Decal |
| 7 | 532 06 64-26 | Wire Tie | 50 | 532 40 20-24 | Grassbag |
| 11 | 532 44 09-34 | Engine Zone Control Cable | 52 | 532 44 19-62 | Kit, Lawn Housing Assembly (Includes Key Number 46) |
| 12 | 532 17 88-48 | Hex Washer Head Screw #10-16 x 5/8 | 53 | 532 85 10-84 | Hex Head Screw 3/8-24 x 1-3/8 Grade 8 |
| 13 | 532 43 00-34 | Up-Stop Bracket | 54 | 532 85 02-63 | Helical Lockwasher |
| 14 | 532 44 50-19 | Handle Knob | 55 | 532 85 10-74 | Hardened Washer |
| 15 | 532 05 17-93 | Hairpin Cotter | 56 | 532 19 93-77 | 21" Blade |
| 18 | 817 60 04-06 | Screw | 57 | 532 85 09-77 | Blade Adapter |
| 19 | 532 40 66-89 | Axle Arm Assembly, Front, LH | 59 | - - - | Engine, Briggs & Stratton, Model Number 9P702-0023-H1 (Order parts from engine manufacturer) |
| 20 | 532 40 66-90 | Axle Arm Assembly, Front, RH | 61 | 532 40 91-48 | Flanged Locknut, Hex |
| 21 | 532 43 61-19 | Footguard | 65 | 532 08 83-48 | Washer, Flat |
| 22 | 532 40 64-28 | Selector Spring, Front | 66 | 532 19 74-80 | O-Ring |
| 23 | 532 41 06-03 | Rear Door Assembly | 73 | 532 40 16-30 | Washer, Flat |
| 24 | 532 42 65-89 | Locknut, Hex 5/16-18 | 74 | 532 12 50-78 | Washer, Special, Engine, Zinc-Plated |
| 25 | 532 44 65-57 | Handle Bracket Assembly, LH | 75 | 532 41 36-93 | Kit, Rear Baffle (Includes 3 Screws) |
| 26 | 532 44 65-55 | Handle Bracket Assembly, RH | 76 | 532 41 05-89 | Baffle, Rear |
| 28 | 817 06 04-10 | Screw 1/4-20 x 5/8 | 77 | 817 41 13-12 | Screw, Rear Baffle |
| 29 | 532 41 05-94 | Wheel Adjusting Bracket, Front | 83 | 532 42 85-01 | Baffle, Front |
| 30 | 532 40 16-29 | Spacer | 84 | 817 00 05-10 | Screw, Hex Head 5/16-18 |
| 32 | 532 41 08-88 | Selector Spring, Rear | -- | 532 18 21-91 | Decal, Warning (not shown) |
| 33 | 532 08 78-77 | Selector Knob | -- | 532 44 45-49 | Operator's Manual, European |
| 34 | 532 41 08-90 | Axle Arm Assembly, Rear | -- | 532 44 45-50 | Operator's Manual, Scandinavian |
| 35 | 873 93-05-00 | Nut, Hex | -- | 532 44 45-52 | Operator's Manual, East Bloc |
| 36 | 532 40 16-38 | Shoulder Bolt 5/16-18 | -- | 532 44 45-51 | Operator's Manual, Baltic |
| 37 | 532 40 34-95 | Wheel & Tire Assembly | | | |

NOTE: All component dimensions given in U.S. inches. 1 inch = 25.4 mm. **IMPORTANT:** Use only Original Equipment Manufacturer (O.E.M.) replacement parts. Failure to do so could be hazardous, damage your lawn mower and void your warranty.