

# Parts Manual

ZM4619 BF / 966660501



Please read the operator's manual carefully and make sure you understand the instructions before using the machine.

Gasoline containing up to 10% ethanol (E10) is acceptable for use in this machine. The use of any gasoline exceeding 10% ethanol (E10) will void the product warranty.



**McCULLOCH<sup>®</sup>**

When you need spare parts or support in service questions, warranty issues, etc., please consult the following professional:

This Parts Manual belongs to the machine with the manufacturing number:	Engine	Transmission

## Manufacturing Number

*The machine's manufacturing number can be found on the printed plate affixed to the engine compartment.*

Stated on the plate, from the top are:

- The machine's type designation (I.D.).
- The manufacturer's type number (Model).
- The machine's serial number (Serial no.)

*Please have the type designation and serial number available when ordering spare parts.*

The engine's manufacturing number is stamped on one of the valve covers.

The plate states:

- The engine's model.
- The engine's type.
- Code

*Please have these available when ordering spare parts.*

The wheel motors and hydrostatic pumps have a barcode decal affixed at the rear.

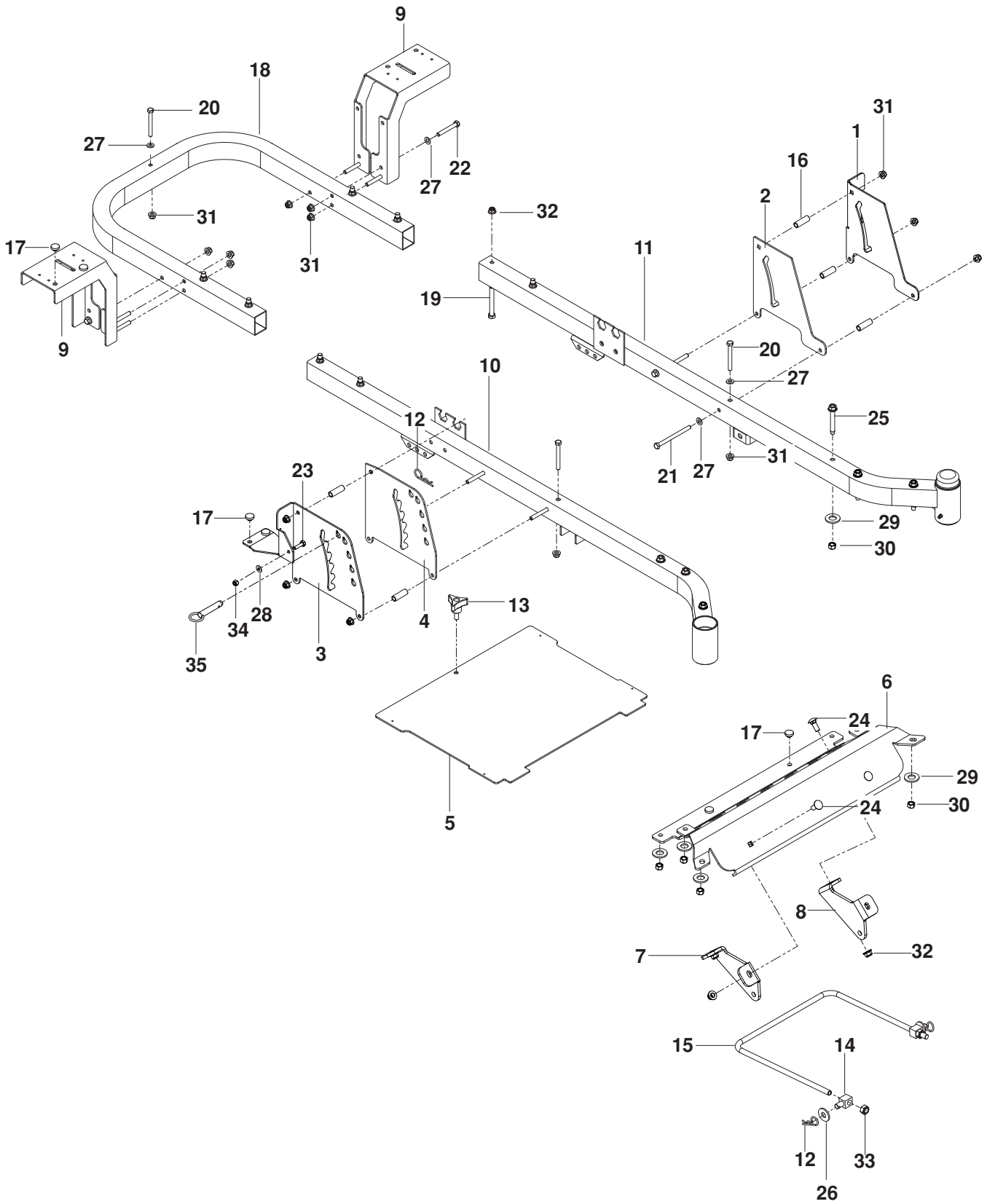
# CONTENTS

---

FRAME.....	4
ENGINE PLATE.....	6
STEERING .....	8
IGNITION.....	10
BRAKE / LIFT .....	12
HYDRAULIC PUMP / MOTOR .....	14
WHEELS AND TIRES.....	16
MOWER DECK / CUTTING DECK.....	18
SEAT .....	20
DECALS.....	22

NOTE: ALL FASTENERS ARE GRADE 5 UNLESS OTHERWISE SPECIFIED.

# FRAME

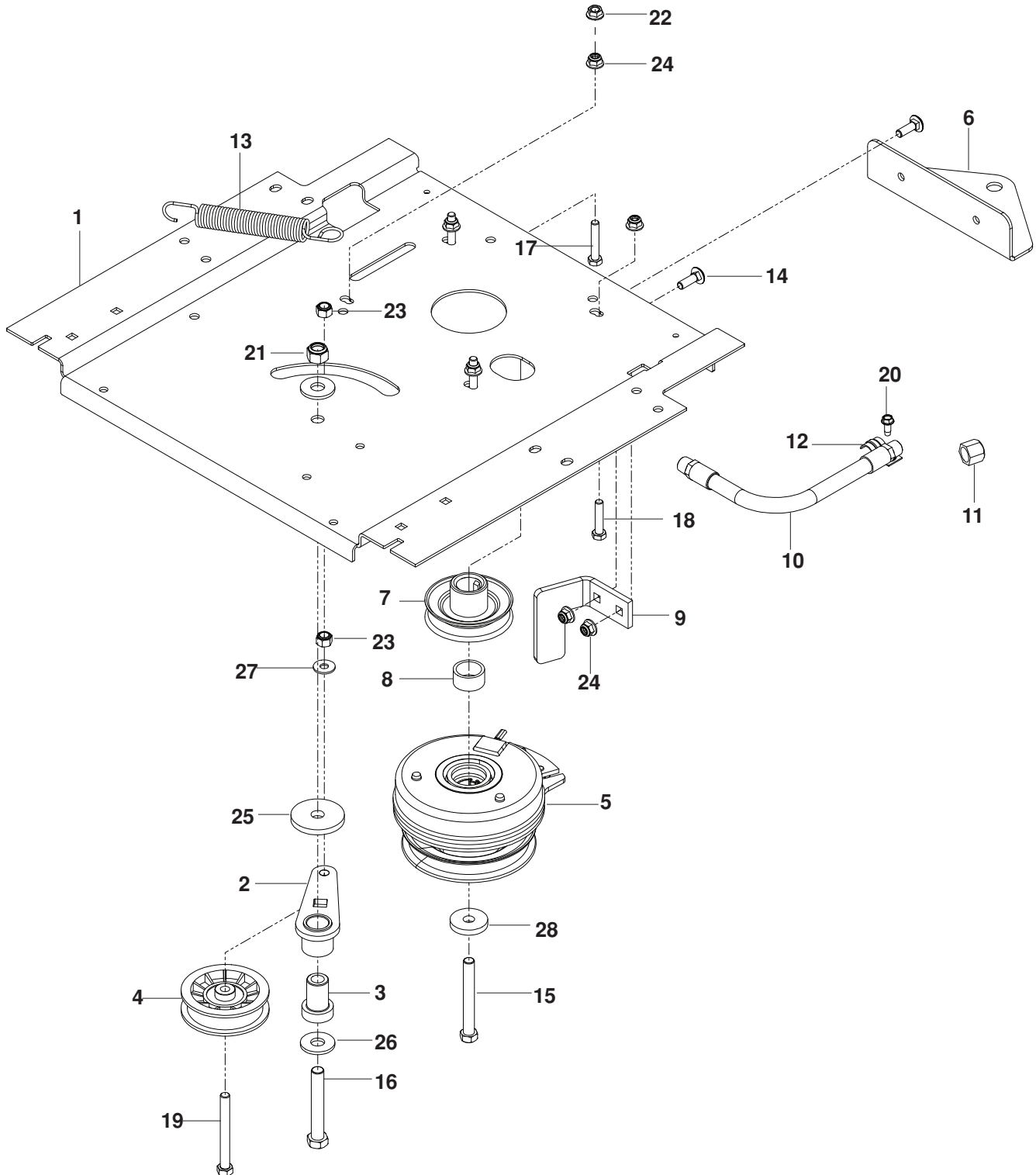


# FRAME

---

ITEM	PART NO.	QTY.	DESCRIPTION	ITEM	PART NO.	QTY.	DESCRIPTION
1..	510 261802....	1....	PLATE, OUTER BRAKE BLK	19..	539 101341....	8....	HCS $\frac{3}{8}$ -16 x 3
2..	510 206703....	1....	PLATE, BRAKE LATCH BLK	20..	539 101721....	3....	HCS $\frac{5}{16}$ -18 x $2\frac{3}{4}$
3..	510 245604....	1....	PLATE, LIFT OUTER BLK	21..	539 102335....	4....	HCS $\frac{5}{16}$ -18 x 4
4..	510 240502....	1....	PLATE, LIFT INNER BLK	22..	539 976938....	6....	HCS $\frac{5}{16}$ -18 x $2\frac{1}{4}$
5..	522 842906....	1....	FOOT PLATE w/DECALS	23..	539 977761....	2....	HCS $\frac{1}{4}$ -20 x 1
6..	522 740709....	1....	FOOT REST BLK	24..	539 990645....	4....	RHSNB $\frac{3}{8}$ -16 x 1
7..	522 443302....	1....	MOUNT, STRUT RT BLK	25..	539 111976....	6....	BOLT $\frac{3}{8}$ -16 x $2\frac{5}{8}$ THD FRM
8..	522 443304....	1....	MOUNT, STRUT LT BLK	26..	539 109554....	2....	WASHER $\frac{1}{2}$ FLT
9..	510 225902....	2....	SUPPORT, FENDER BLK	27..	539 990188..	13....	WASHER $\frac{5}{16}$ SAE FLT
10..	510 177502....	1....	FRAME, FRONT RT BLK	28..	539 990055....	2....	WASHER $\frac{1}{4}$ FLT
11..	510 177402....	1....	FRAME, FRONT LT BLK	29..	539 990517....	6....	WASHER $\frac{3}{8}$ STD FLT
12..	539 976989....	3....	HAIRPIN	30..	539 200282....	6....	NUT $\frac{3}{8}$ -16 HEX JAM NYLOC
13..	539 104411....	1....	KNOB w/ STUD	31..	539 112899..	15....	NUT $\frac{5}{16}$ -18 HEX FLG NYLOC
14..	539 114789....	2....	SWIVEL	32..	521 996501....	8....	NUT $\frac{3}{8}$ -16 HEX FLG NYLOC
15..	521 938101....	1....	LINK, FRONT SUSPENSION	33..	539 119124....	2....	NUT $\frac{7}{16}$ -14 HEX NYLOC
16..	515 988101....	6....	SPACER $\frac{1}{2}$ OD x $1\frac{1}{2}$	34..	539 976978....	2....	NUT $\frac{1}{4}$ -20 HEX NYLOC
17..	539 102587....	6....	GROMMET, BUMPER	35..	539 102526....	1....	LIFT PIN
18..	510 177602....	1....	FRAME, REAR BLK				

# ENGINE PLATE

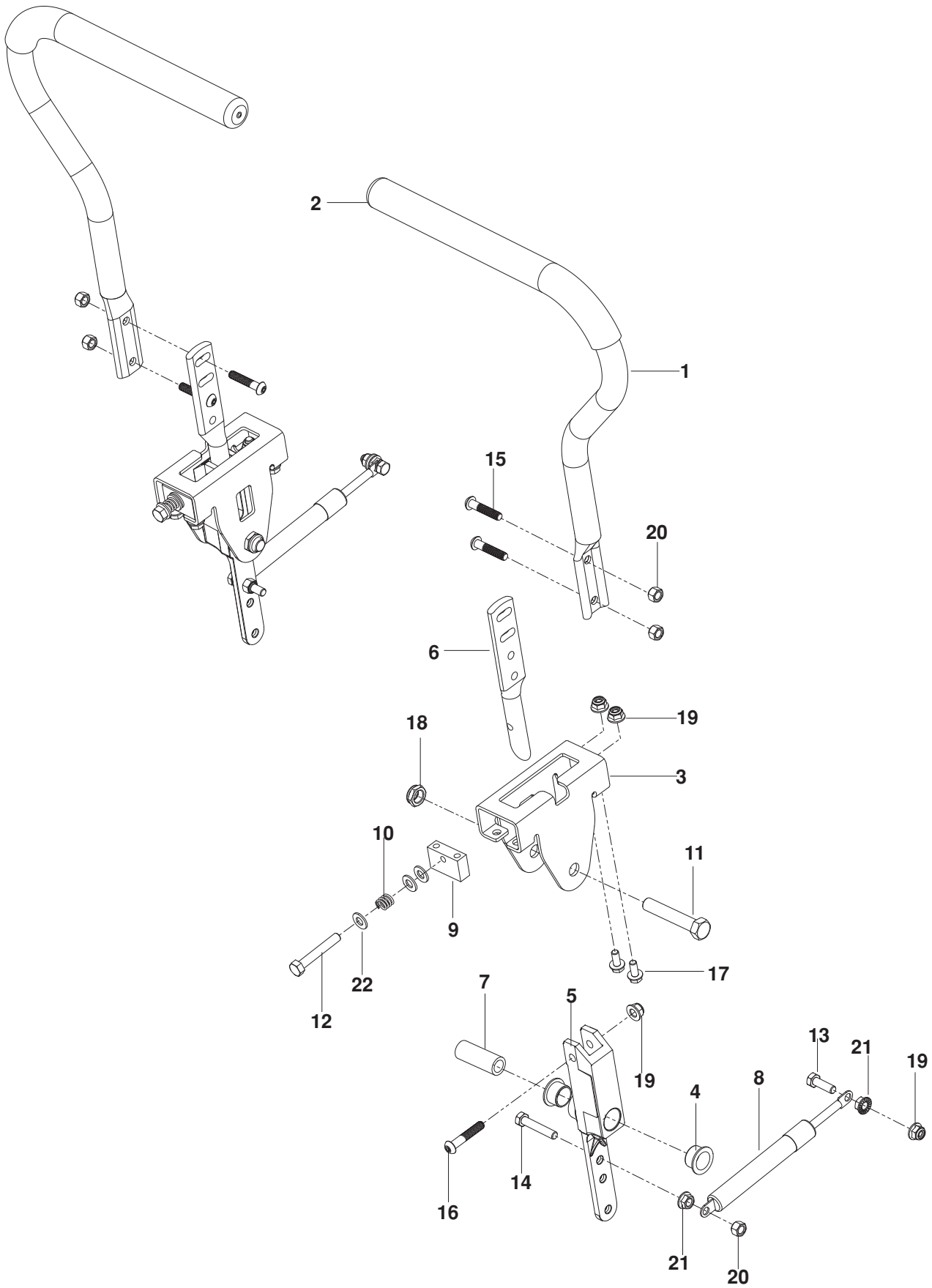


# ENGINE PLATE

---

ITEM	PART NO.	QTY.	DESCRIPTION	ITEM	PART NO.	QTY.	DESCRIPTION
1..	575 327002....	1....	PLATE, ENGINE BLK	15..	539 976944....	1....	HCS $7/16$ -20 x $3\frac{1}{2}$
2..	539 112092....	1....	ARM, IDLER	16..	539 103433....	1....	HCS $1/2$ -13 x $3\frac{1}{4}$
3..	539 101231....	1....	SPINDLE, IDLER	17..	539 990669....	1....	HCS $5/16$ -18 x $1\frac{3}{4}$
4..	539 110311....	1....	PULLEY, IDLER	18..	539 976935....	3....	HCS $5/16$ -18 x $1\frac{1}{2}$
5..	505 287301....	1....	CLUTCH, 105 FT/LBS	19..	539 109389....	1....	HCS $3/8$ -16 x $3\frac{1}{2}$
6..	516 011802....	1....	HITCH, BLK	20..	539 990362....	1....	SCREW $1/4$ -20 x $5/8$ THD FRM
7..	539 114530....	1....	PULLEY, ENGINE	21..	539 101331....	1....	NUT $1/2$ -13 HEX NYLOC
8..	539 112252....	1....	SPACER	22..	539 990585....	1....	NUT $5/16$ -18 HEX WHIZLK
9..	510 246002....	1....	STOP, CLUTCH BLK	23..	539 976979....	2....	NUT $3/8$ -16 HEX NYLOC
10..	539 101362....	1....	HOSE, DRAIN	24..	539 112899....	6....	NUT $5/16$ -18 HEX FLG NYLOC
11..	539 101364....	1....	PLUG, OIL	25..	539 112670....	1....	WASHER, HEAVY
12..	539 101363....	1....	CLAMP	26..	539 109554....	2....	WASHER $1/2$ FLT
13..	532 196105....	1....	SPRING, DECK DRIVE	27..	539 990692....	2....	WASHER $5/16$ STD FLT
14..	539 990208....	2....	RHSNB $5/16$ -18 x 1	28..	539 110064....	1....	WASHER, CLUTCH

# STEERING



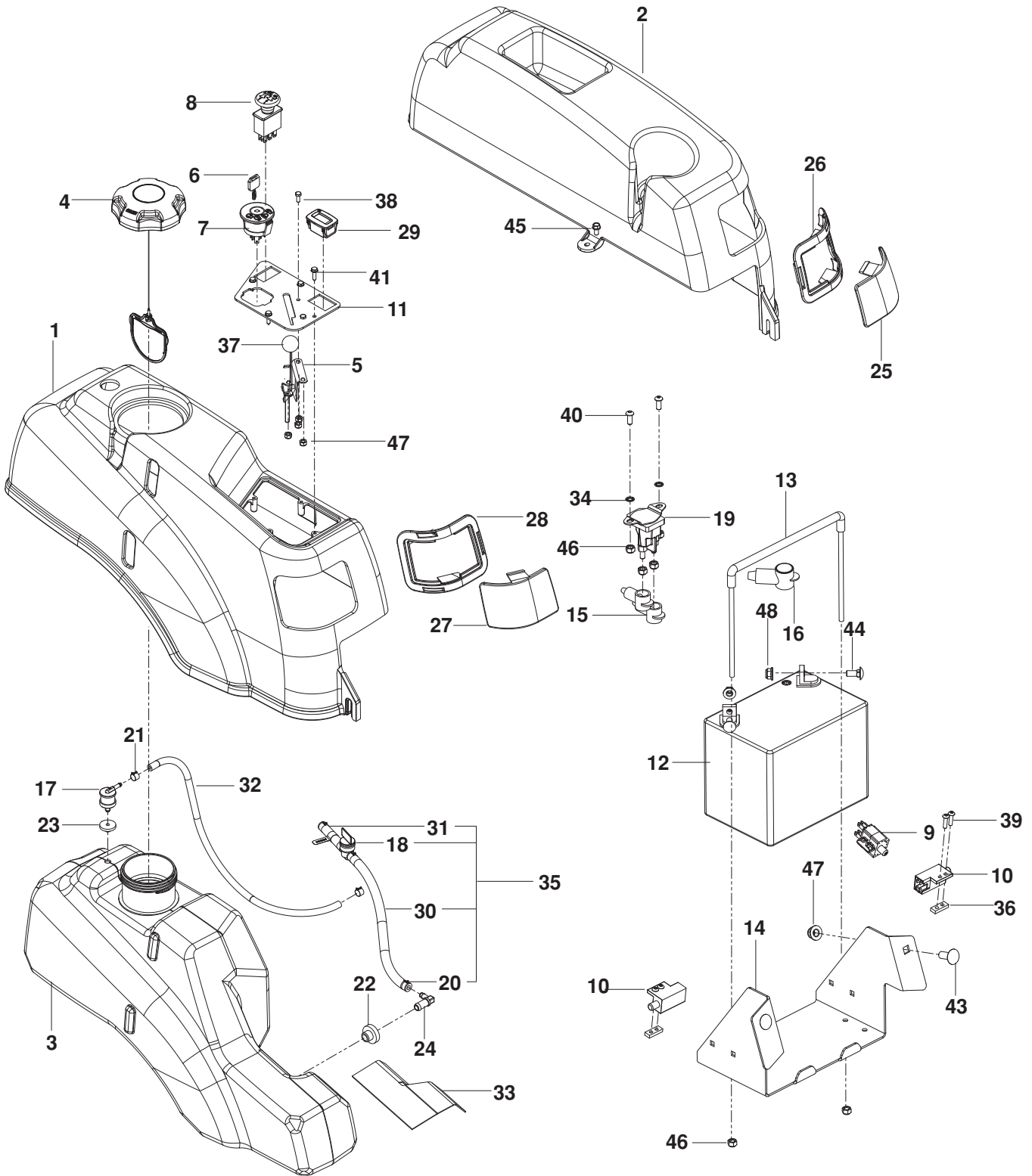


# STEERING

---

ITEM	PART NO.	QTY.	DESCRIPTION	ITEM	PART NO.	QTY.	DESCRIPTION
1..	579 036901....	2....	LEVER w/ GRIP	12..	539 976935....	2....	HCS $\frac{5}{16}$ -18 x $1\frac{1}{2}$
2..	525 392901....	2....	GRIP, FOAM	13..	539 990209....	2....	HCS $\frac{5}{16}$ -18 x 1
3..	577 251701....	2....	BRACKET, CONTROL	14..	539 108394....	2....	HCS $\frac{5}{16}$ -18 x $1\frac{3}{4}$
4..	539 131518....	4....	BEARING, FLANGE	15..	578 296402....	4....	SCREW $\frac{5}{16}$ -18 X $1\frac{1}{2}$ BTN HD
5..	576 140301....	2....	LEVER, CONTROL	16..	576 850402....	2....	SCREW $\frac{5}{16}$ -18 X $1\frac{3}{4}$ BTN HD
6..	577 420001....	2....	LEVER, HANDLE	17..	525 464701....	8....	HHFS $\frac{5}{16}$ -18 X $\frac{3}{4}$
7..	577 252401....	2....	SPACER, PIVOT CONTROL	18..	539 108010....	2....	NUT $\frac{1}{2}$ -13 HEX JAM NYL GR2
8..	539 102720....	2....	DAMPENER	19..	539 112899....	8....	NUT $\frac{5}{16}$ -18 HEX FLG NYLOC
9..	577 251801 ...	2....	BLOCK, TRACKING	20..	539 990717....	6....	NUT $\frac{5}{16}$ -18 HEX NYLOC
10..	539 102845....	2....	SPRING	21..	539 115617....	4....	NUT $\frac{5}{16}$ -18 HEX LK
11..	539 101332....	2....	HCS $\frac{1}{2}$ -13 x $2\frac{3}{4}$	22..	539 990188....	6....	WASHER $\frac{5}{16}$ SAE FLT

# IGNITION

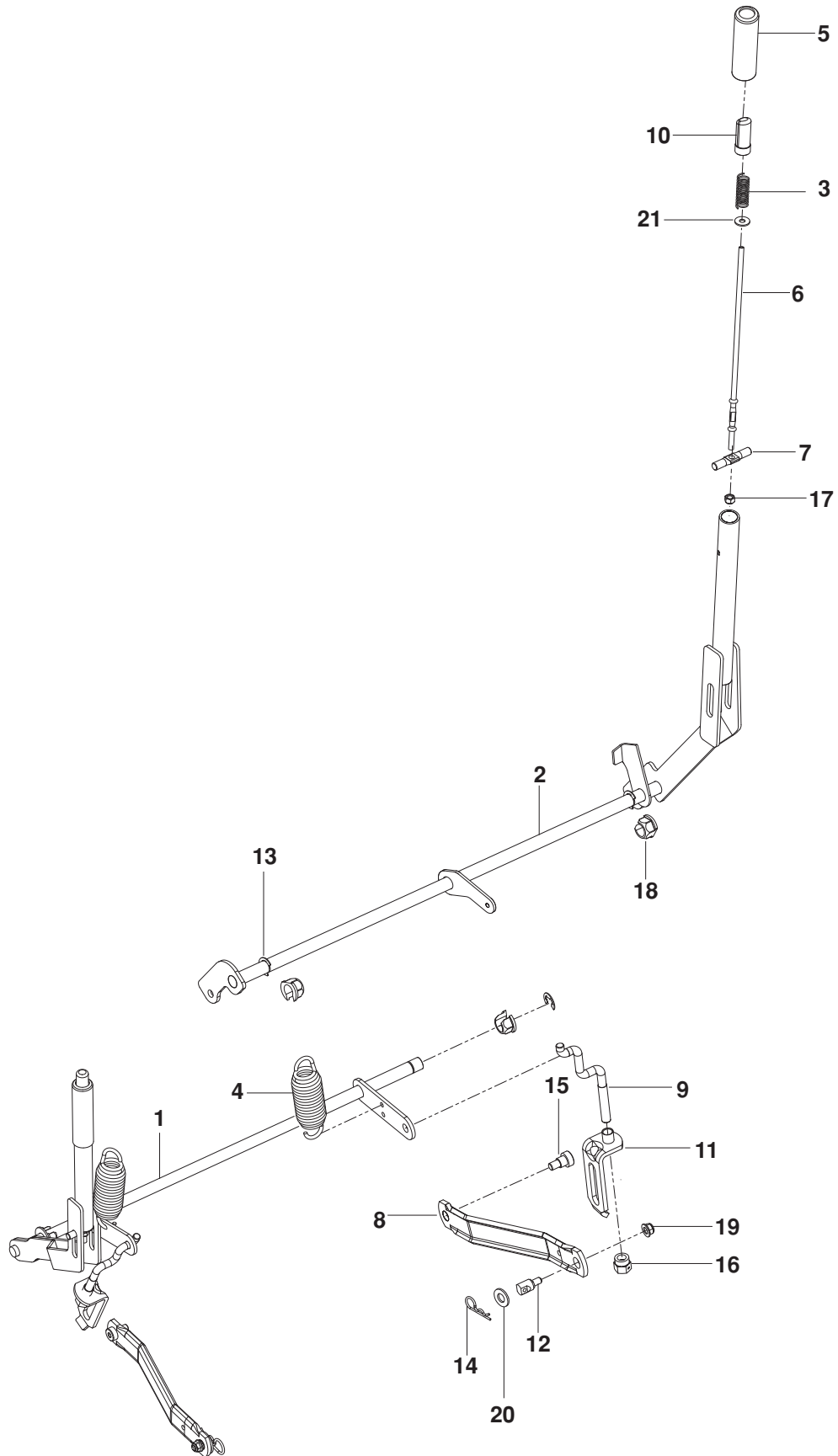


# IGNITION

---

ITEM	PART NO.	QTY.	DESCRIPTION	ITEM	PART NO.	QTY.	DESCRIPTION
1..	578 179001....	1....	FENDER, RT BLK	28..	576 371001....	1....	RING, RT BLK
2..	576 370501....	1....	FENDER, LT BLK	29..	576 179401....	1....	HOUR METER
3..	578 178601....	1....	TANK, FUEL	30..	539 932956....	1....	FUEL LINE 10"
4..	575 018101....	1....	CAP, FUEL w/ TETHER	31..	505 215101....	1....	FUEL LINE 2½"
5..	522 730101....	1....	CABLE, THROTTLE	32..	574 521302....	1....	HOSE, 17"
6..	539 107544....	1....	KEY, IGNITION	33..	522 559101....	1....	SHIELD, HEAT
7..	539 107541....	1....	SWITCH, IGNITION	34..	539 990053....	2....	WASHER ¼ ITLW
8..	539 174652....	1....	SWITCH, CLUTCH	35..	576 660701....	1....	FUEL LINE ASSY
9..	539 113792....	1....	SWITCH, BRAKE	36..	539 102678....	2....	PLATE, TAPPED
10..	539 109553....	2....	SWITCH, NC	37..	539 133049....	1....	KNOB
11..	539 110304....	1....	PANEL, CONTROL	38..	539 990411....	2....	SCREW 10-24 x ½ HEX HD
12..	539 102436....	1....	BATTERY	39..	574 822701....	4....	SCREW 10-24 x ¾ SKT HD
13..	539 131209....	1....	TIE DOWN, BATTERY	40..	539 111229....	2....	SCREW ¼-20 x ⅝ BTN SKT
14..	510 231302....	1....	BOX, BATTERY BLK	41..	539 110673....	2....	SCREW 10-24 x ¾ WSH HD
15..	539 116400....	3....	TERMINAL COVER	42..	539 991034....	2....	SCREW 10-24 x ⅝ WSH HD
16..	539 102759....	1....	INSULATOR	43..	539 990645....	2....	RHSNB ⅜-16 x 1
17..	576 618101....	1....	VALVE, FUEL CHECK	44..	539 990316....	2....	RHSNB ⅝/16-18 x ¾
18..	539 916325....	1....	VALVE, FUEL	45..	539 108461....	2....	BOLT ¼-20 x ½
19..	539 101714....	1....	SOLENOID	46..	539 976978....	6....	NUT ¼-20 HEX NYLOC
20..	539 912222....	4....	CLAMP, HOSE	47..	539 976977....	2....	NUT 10-24 HEX NYLOC
21..	575 436501....	2....	CLAMP, HOSE	48..	539 112899....	2....	NUT ⅝/16-18 HEX FLG NYLOC
22..	539 105245....	1....	GROMMET, RUBBER	NOT SHOWN			
23..	576 618201....	1....	GROMMET, CHECK VALVE	539 103306 ...	2....	POSITIVE CABLE, LONG	
24..	539 110432....	1....	ELBOW	539 110068 ...	1....	BATTERY CABLE NEGATIVE	
25..	576 371101....	1....	PANEL, LT	515 980501 ...	1....	HARNESS, WIRING	
26..	576 370901....	1....	RING, LT BLK	505 280001 ...	4....	TIE, WIRE	
27..	576 371201....	1....	PANEL, RT				

# BRAKE / LIFT

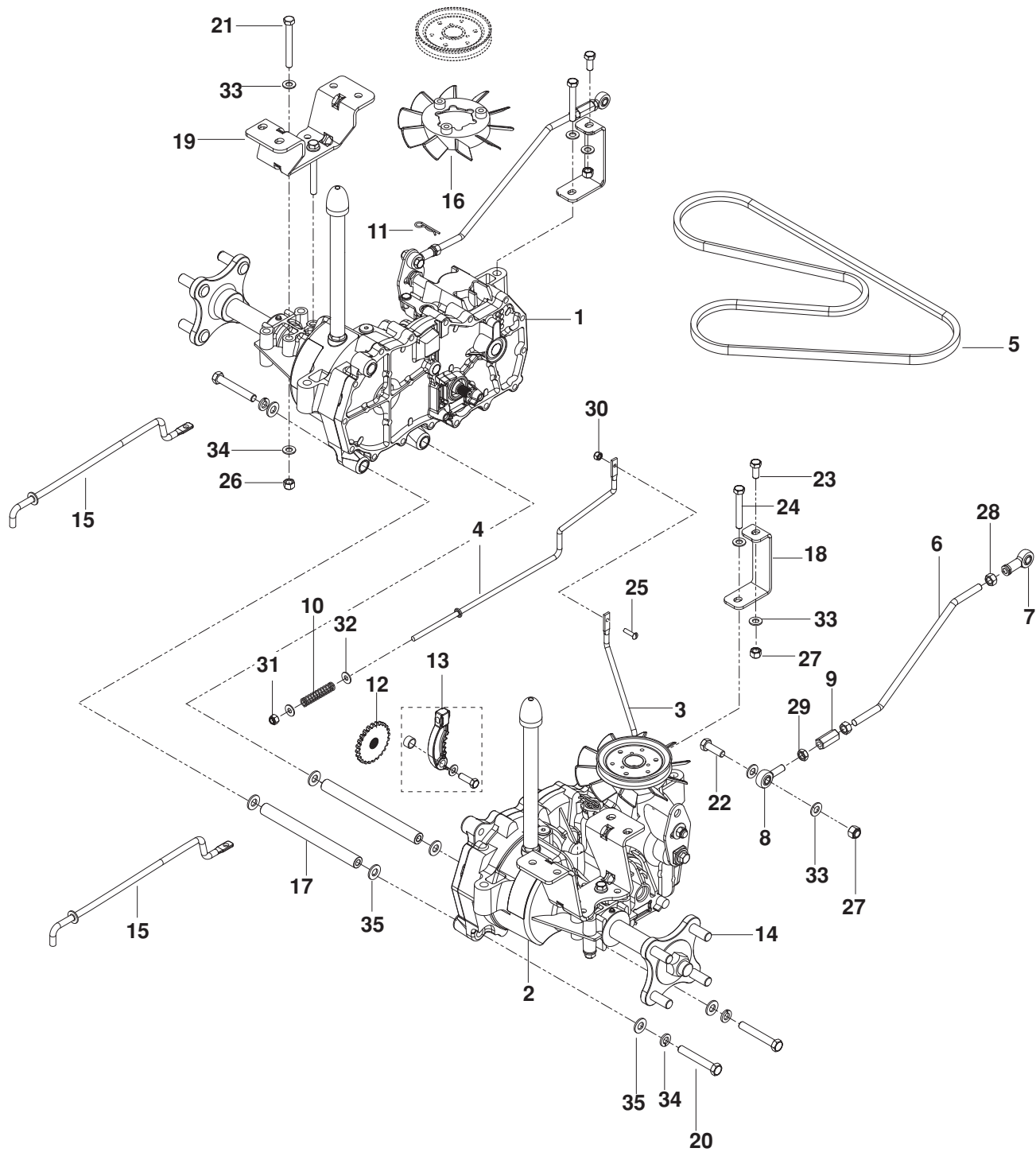


## BRAKE / LIFT

---

ITEM	PART NO.	QTY.	DESCRIPTION	ITEM	PART NO.	QTY.	DESCRIPTION
1..	574 216604....	2....	ARM, LIFTING	12..	532 195161....	2....	STUD w/ ANTI-ROTATE
2..	522 710804....	1....	SHAFT, BRAKE BLK	13..	539 105069....	3....	E-RING
3..	510 030701....	2....	SPRING, COMPRESSION	14..	539 976989....	2....	HAIRPIN
4..	539 118762....	2....	SPRING	15..	539 113621....	2....	BOLT $\frac{3}{8}$ -16 x $\frac{3}{8}$ SKT HD
5..	510 207201....	2....	GRIP, HANDLE BLK	16..	532 175994....	2....	NUT, LIFT LINK
6..	510 422901....	2....	ROD, HANDLE RELEASE	17..	539 976978....	2....	NUT $\frac{1}{4}$ -20 HEX NYLOC
7..	516 008801....	2....	ROD, LATCH RELEASE	18..	510 184901....	4....	NUT, PLASTIC
8..	532 195185....	2....	ARM, SUSPENSION RR	19..	539 112899....	2....	NUT $\frac{5}{16}$ -18 HEX FLG NYLOC
9..	525 847201....	2....	LINK, REAR SUSPENSION	20..	539 976982....	2....	WASHER $\frac{5}{8}$ SAE FLT
10..	510 207301....	2....	BUTTON, PUSH BLK	21..	539 990598....	4....	WASHER $\frac{1}{4}$ FLT
11..	522 858601....	2....	BRACKET, LIFT				

# HYDRAULIC PUMP / MOTOR

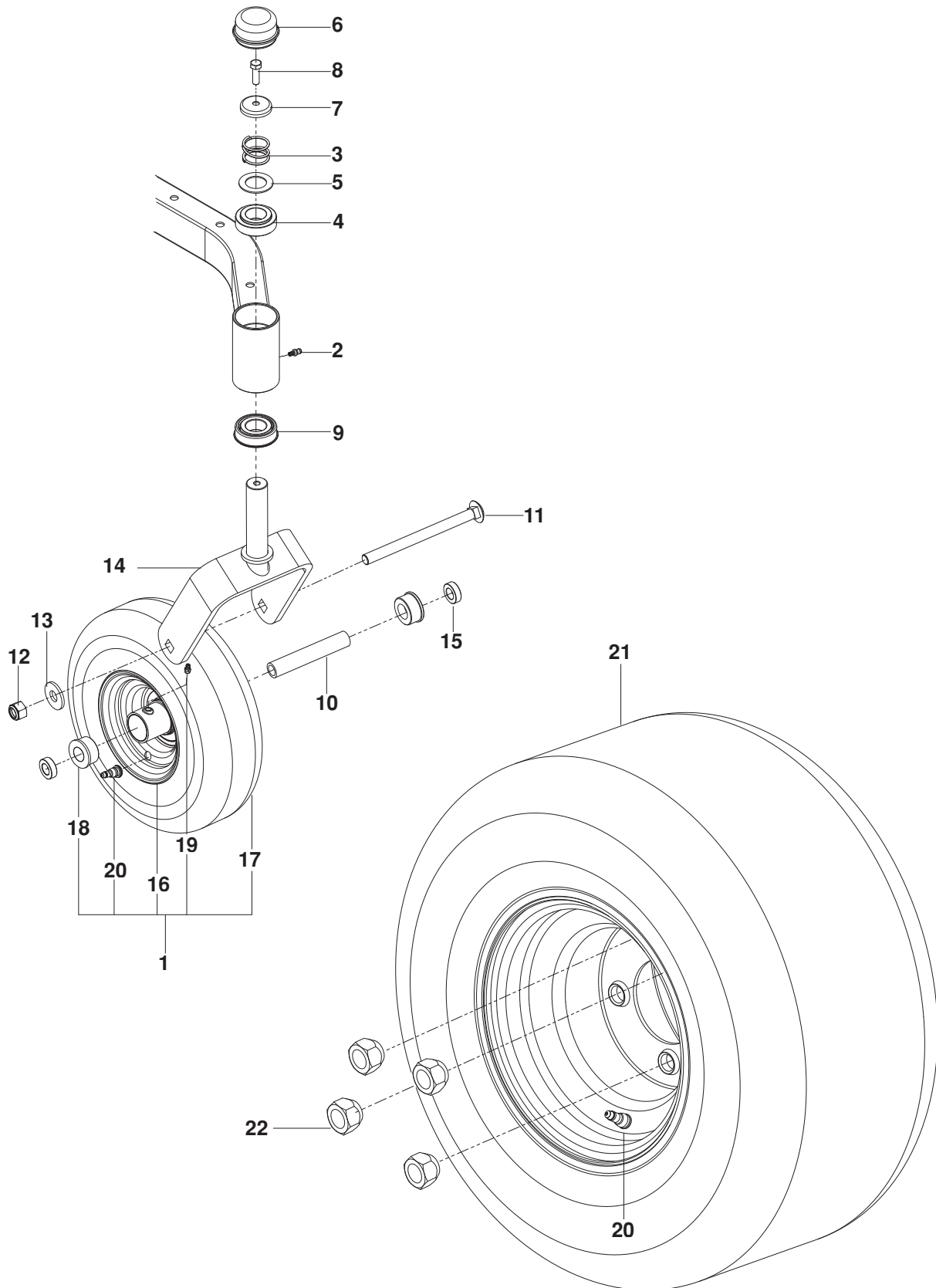


# HYDRAULIC PUMP / MOTOR

---

ITEM	PART NO.	QTY.	DESCRIPTION	ITEM	PART NO.	QTY.	DESCRIPTION
1..	510 375601....	1....	EZT, LT	19..	510 185102....	2....	MOUNT, EZT RR BLK
2..	510 375602....	1....	EZT, RT	20..	539 990637....	4....	HCS $\frac{3}{8}$ -16 x 2 $\frac{1}{2}$
3..	574 030501....	1....	ROD, EZT BRAKE LT	21..	539 101721....	4....	HCS $\frac{5}{16}$ -18 x 2 $\frac{3}{4}$
4..	574 030502....	1....	ROD, EZT BRAKE RT	22..	539 990209....	2....	HCS $\frac{5}{16}$ -18 x 1
5..	539 110411....	1....	BELT, EZT	23..	539 976934....	2....	HCS $\frac{5}{16}$ -18 x $\frac{3}{4}$
6..	522 945001....	2....	ROD, MOTION CONTROL	24..	539 976938....	2....	HCS $\frac{5}{16}$ -18 x 2 $\frac{1}{4}$
7..	539 115729....	2....	ROD END RT	25..	539 108535....	1....	SCREW 10-24 x $\frac{3}{4}$ SLTD RD
8..	539 116690....	2....	ROD END MALE LT	26..	539 990717..	10....	NUT $\frac{5}{16}$ -18 HEX NYLOC
9..	539 116689....	2....	COUPLER, ROD END	27..	539 115617....	2....	NUT $\frac{5}{16}$ -18 NYLOC INSERT
10..	539 110342....	2....	SPRING, BRAKE ROD	28..	539 990223....	4....	NUT $\frac{5}{16}$ -24 HEX
11..	539 976988....	2....	HAIRPIN, COTTER	29..	539 991073....	1....	NUT $\frac{5}{16}$ -24 HEX JAM LH
12..	539 120080....	2....	COG, BRAKE DISC	30..	539 976977....	1....	NUT 10-24 HEX NYLOC
13..	539 120079....	2....	BRAKE ARM KIT	31..	539 976978....	2....	NUT $\frac{1}{4}$ -20 HEX NYLOC
14..	575 507001....	2....	HUB KIT	32..	539 990055....	4....	WASHER $\frac{1}{4}$ SAE FLT
15..	522 941101....	2....	LINK ARM, BYPASS	33..	539 990188..	18....	WASHER $\frac{5}{16}$ SAE FLT
16..	539 120785....	2....	BLADE, FAN	34..	539 990118....	4....	WASHER $\frac{3}{8}$ SPLT LCK
17..	510 184101....	2....	SPACER TUBE	35..	539 990122....	8....	WASHER $\frac{3}{8}$ SAE FLT
18..	522 460702....	2....	SUPPORT, EZT FRT				

# WHEELS AND TIRES



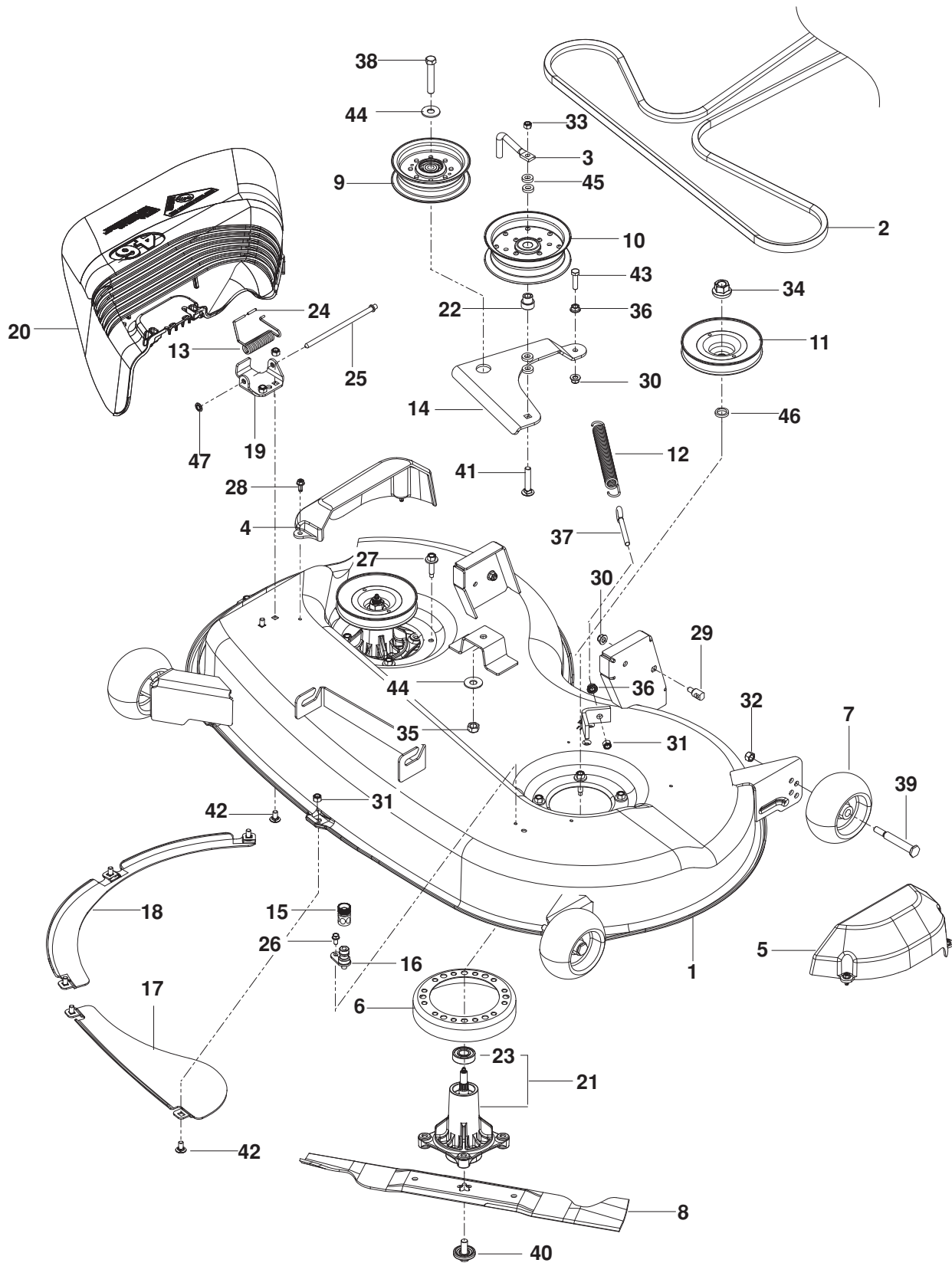


# WHEELS AND TIRES

---

ITEM	PART NO.	QTY.	DESCRIPTION	ITEM	PART NO.	QTY.	DESCRIPTION
1..	516 001902....	2....	CASTER TIRE ASSY	12..	539 200100....	2....	NUT ½-13 HEX CNTRLK
2..	539 115638....	2....	ZERK ³/₁₆ DRIVE	13..	539 109554....	2....	WASHER ½ FLT
3..	539 115747....	2....	SPRING, CASTER	14..	510 186502....	2....	YOKE BLK
4..	539 117901....	2....	BUSHING, CASTER	15..	539 114805....	4....	SPACER ⁵/₁₆
5..	539 115675....	2....	WASHER	16..	539 110183....	2....	RIM
6..	539 102535....	2....	GREASE CAP	17..	539 114697....	2....	CASTER TIRE, 410-5 4 PLY
7..	539 115749....	2....	PLUG, CASTER	18..	576 617801....	4....	BUSHING, FLANGED
8..	539 115566....	2....	HHB ⁵/₁₆-18 x 1 NYLOC	19..	539 976998....	2....	ZERK
9..	539 112660....	2....	BEARING, FLANGED	20..	539 912234....	4....	VALVE STEM
10..	539 105543....	2....	SPACER	21..	575 812602....	2....	WHEEL ASSY, REAR 18 x 8.5
11..	539 121159....	2....	RHSNB ½-13 x 6½	22..	539 101173....	8....	NUT ½ LUG

# MOWER DECK / CUTTING DECK



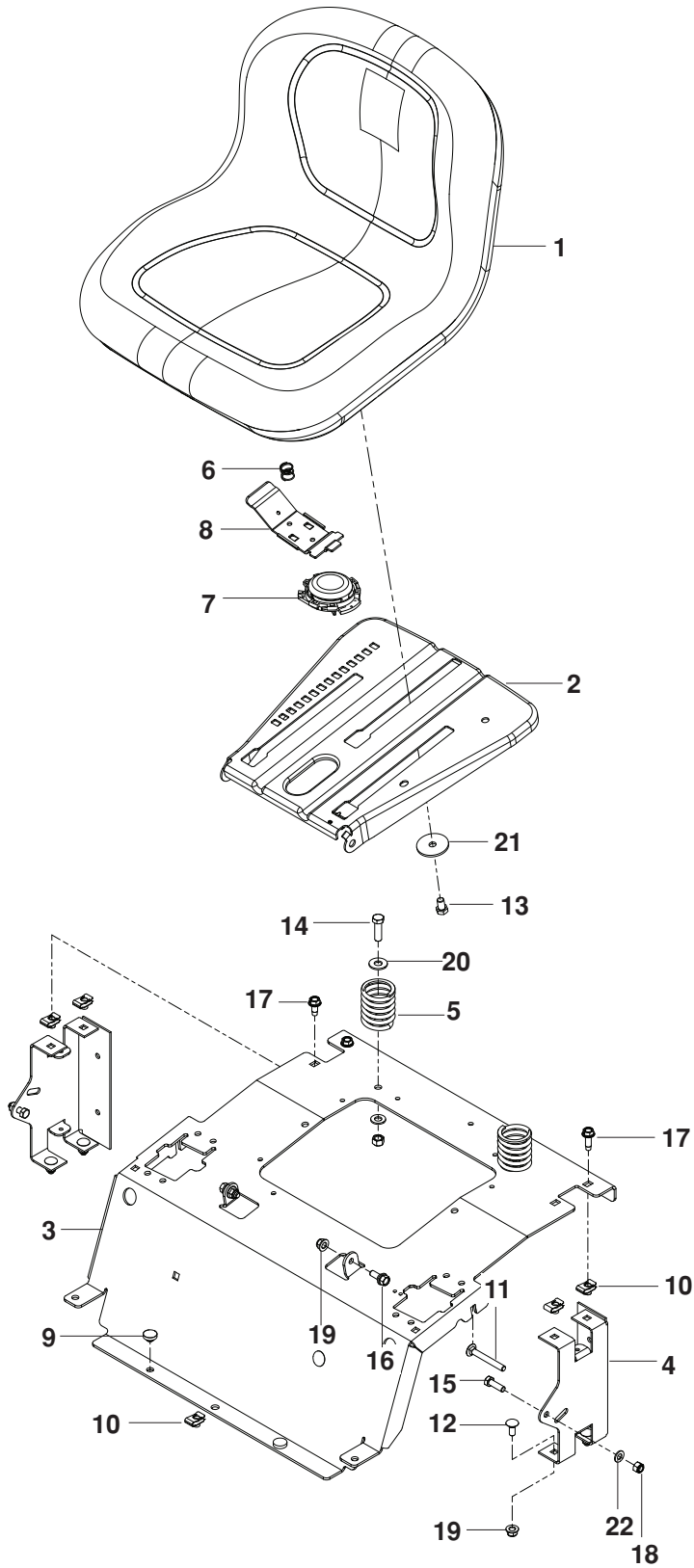
Torque to  
55-70 ft/lbs

## MOWER DECK / CUTTING DECK

---

ITEM	PART NO.	QTY.	DESCRIPTION	ITEM	PART NO.	QTY.	DESCRIPTION
1..	522 745402....	1....	DECK w/ SAFETY DECALS	25..	539 110462....	1....	ROD, HINGE
2..	539 117245....	1....	BELT, DECK	26..	539 991034....	1....	SCREW 10-24 x 5/8 WSHR HD
3..	522 629701....	1....	KEEPER, BELT	27..	539 107630....	8....	SCREW 5/16-18 x WSHR HD
4..	532 405506....	1....	SHIELD, BELT RH	28..	539 107631....	4....	SCREW 1/4-20 x 5/8 THDROLL
5..	532 405507....	1....	SHIELD, BELT LH	29..	532 195161....	2....	STUD w/ ANTI-ROTATE
6..	539 107518....	2....	STRIPPER, UNIVERSAL	30..	539 112899....	3....	NUT 5/16-18 HEX FLG NYLOC
7..	539 107610....	3....	WHEEL, GAUGE	31..	539 990717....	8....	NUT 5/16-18 HEX NYLOC
8..	777 405380....	2....	BLADE, HI-LIFT	32..	539 976979....	3....	NUT 3/8-16 HEX NYLOC
9..	532 196104....	1....	PULLEY, IDLER	33..	539 200282....	1....	NUT 3/8-16 HEX JAM NYLOC
10..	539 132728....	1....	PULLEY, IDLER	34..	539 107590....	2....	NUT 9/16 TOP CNTRLK
11..	539 113962....	2....	PULLEY, DECK	35..	539 119124....	1....	NUT 7/16-14 HEX NYLOC
12..	539 120920....	1....	SPRING, DECK BELT	36..	539 990585....	2....	NUT 5/16-18 HEX WHIZLK
13..	539 107609....	1....	SPRING, TORSION	37..	539 115574....	1....	EYE BOLT 5/16 x 3 1/2
14..	574 689002....	1....	ARM, IDLER	38..	539 104870....	1....	HCS 7/16-14 x 2 1/2
15..	532 416405....	1....	COUPLING, CONNECT	39..	539 107608....	3....	BOLT 1/2 x 2 5/8 SHOULDER
16..	532 415598....	1....	PORT, WASHOUT	40..	532 193003....	2....	BOLT, WASHER
17..	532 403149....	1....	BAFFLE, FRONT	41..	539 128101....	1....	BOLT 3/8-16 x 2 1/4 CARRIAGE
18..	532 403150....	1....	BAFFLE, FRONT RH	42..	539 990316....	7....	RHSNB 5/16-18 x 3/4
19..	532 192557....	1....	BRACKET, DEFLECTOR	43..	539 990627....	1....	HCS 5/16-18 x 1 1/4
20..	532 405357....	1....	SHIELD, DEFLECTOR	44..	539 104864....	2....	WASHER 7/16 FLT
21..	539 107515....	2....	CUTTER HOUSING	45..	539 109562....	4....	WASHER 3/8
22..	539 112076....	1....	BUSHING, IDLER	46..	539 107520....	2....	WASHER, SPACER
23..	539 110485....	1....	BEARING	47..	539 107626....	1....	PUSHNUT
24..	539 107627....	1....	CAP, SLEEVE				

# SEAT

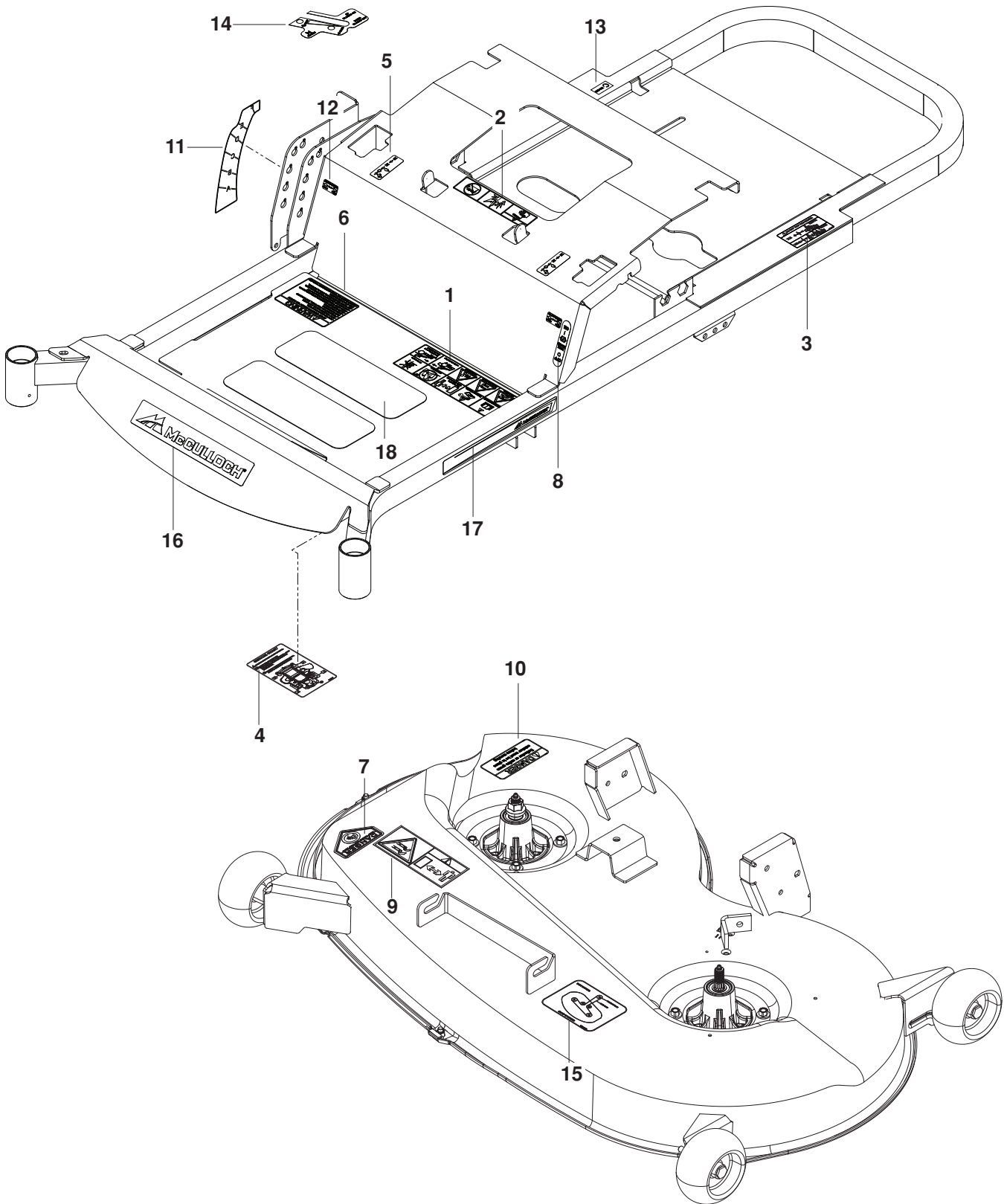


# SEAT

---

ITEM	PART NO.	QTY.	DESCRIPTION	ITEM	PART NO.	QTY.	DESCRIPTION
1..	522 598901....	1....	SEAT	12..	539 990316....	4....	RHSNB $\frac{5}{16}$ -18 x $\frac{3}{4}$
2..	532 196977....	1....	SEAT PAN	13..	539 108503....	1....	HCS $\frac{3}{8}$ -16 x $\frac{5}{8}$
3..	577 260502....	1....	SUPPORT, SEAT BLK	14..	539 976941....	2....	HCS $\frac{3}{8}$ -16 x $1\frac{1}{4}$
4..	574 522702....	2....	SUPPORT, SEAT RR BLK	15..	539 990209....	2....	HCS $\frac{5}{16}$ -18 x 1
5..	539 110300....	2....	SPRING, SEAT	16..	539 110303....	2....	BOLT $\frac{5}{16}$ SHOULDER
6..	532 198200....	1....	SPRING, LATCH SEAT	17..	539 107475....	4....	BOLT $\frac{5}{16}$ -18 x $\frac{3}{4}$ THD FRM
7..	539 132140....	1....	SWITCH, SEAT	18..	539 990717....	2....	NUT $\frac{5}{16}$ -18 HEX NYLOC
8..	532 197661....	1....	HANDLE, SLIDE, SEAT	19..	539 112899....	6....	NUT $\frac{5}{16}$ -18 HEX FLG NYLOC
9..	539 102587....	2....	GROMMET, BUMPER	20..	539 990517....	2....	WASHER $\frac{3}{8}$ STD FLT
10..	539 104763....	5....	RETAINER, U TYPE	21..	539 111897....	1....	WASHER $\frac{3}{8}$ SPECIAL
11..	510 422701....	2....	RHSNB $\frac{5}{16}$ -18 x $2\frac{1}{2}$	22..	539 990188....	2....	WASHER $\frac{5}{16}$ SAE FLT

# DECALS



# DECALS

---

ITEM	PART NO.	QTY.	DESCRIPTION	ITEM	PART NO.	QTY.	DESCRIPTION
1..	539 107959....	1....	DECAL, WARNINGS	11..	521 980501....	1....	DECAL, HEIGHT
2..	539 105745....	1....	DECAL, BATTERY WARNING	12..	575 944501....	1....	DECAL, TRACKING
3..	539 108385....	1....	DECAL, DO NOT TOW	13..	539 110279....	1....	DECAL, ECM
4..	539 109897....	1....	DECAL, SERVICE	14..	576 925401....	1....	DECAL, CONTROLS
5..	575 927201....	2....	DECAL, MOTION CONTROL	15..	510 240201....	1....	DECAL, BELT ROUTING
6..	539 113213....	1....	DECAL, SAFETY	16..	575 926701....	1....	DECAL, McCULLOCH
7..	539 913010....	1....	DECAL, BLADES	17..	575 926802....	1....	DECAL, McCULLOCH, LEFT
8..	539 120006....	1....	DECAL, PARK BRAKE		575 926801 ...	1....	DECAL, McCULLOCH, RIGHT
9..	539 105746....	1....	DECAL, SEVERING	18..	539 977778....	2....	ABRASIVE PAD
10..	539 115717....	1....	DECAL, DISCHARGE				

