

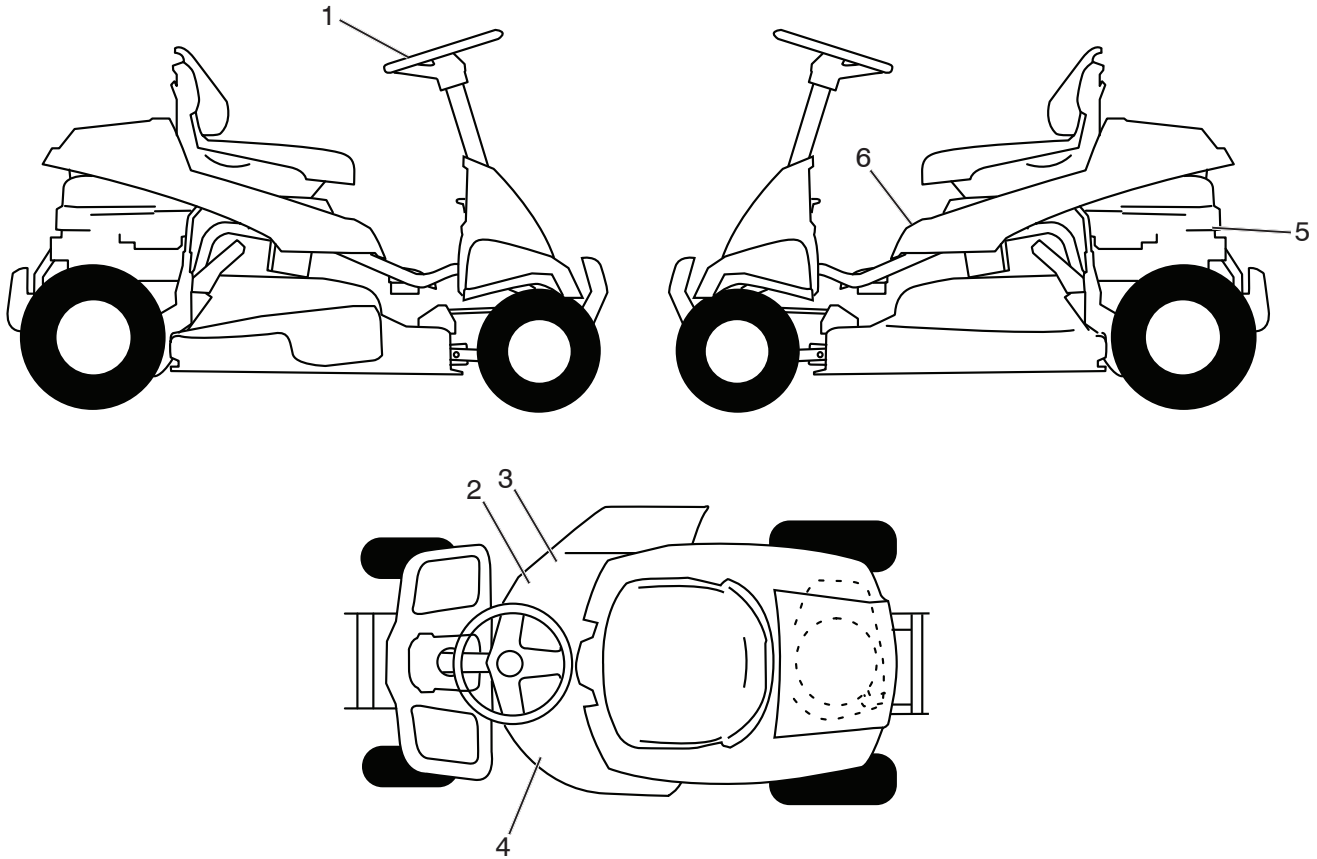
# **ILLUSTRATED PARTS LIST**

**MODEL NO. 96021001800**

**CUSTOMER CATALOG NO. M105-77X**

**PRODUCT NO. 960 21 00-18**

**RIDING MOWER -- MODEL NO. M105-77X (96021001800), PRODUCT NO. 9602100-18  
DECALS 27**



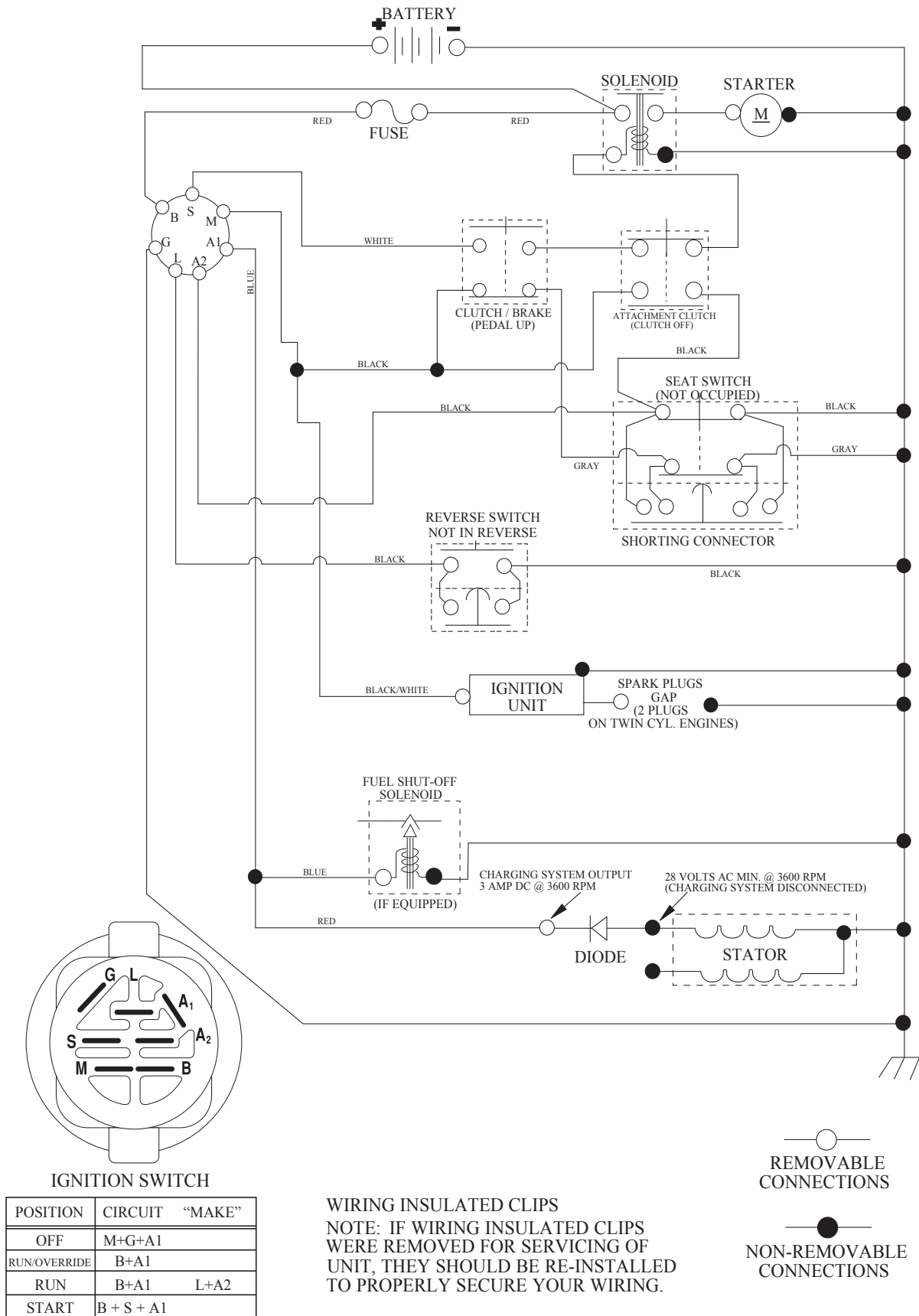
| KEY NO. | PART NO.     | DESCRIPTION           |
|---------|--------------|-----------------------|
| 1       | 532 43 79-66 | DECAL, STEERING WHEEL |
| 2       | 532 44 75-47 | DECAL, DECK/DEFLECTOR |
| 3       | 532 44 14-97 | DECAL, V-BELT SCH     |
| 4       | 532 42 51-12 | DECAL, WARN. DFLEC    |
| 5       | 532 43 74-08 | DECAL, ENGINE H.P.    |
| 6       | 532 19 97-32 | DECAL, NOISE.LEVEL    |
| --      | 532 44 75-33 | MANUAL OPER.MCC.EURO  |
| --      | 532 44 81-17 | MANUAL OPER.MCC.SCAN  |
| --      | 532 44 81-86 | MANUAL OPER.MCC.EBLOC |
| --      | 532 44 81-85 | MANUAL OPER.MCC.BALT  |

**NOTE:** All component dimensions given in U.S. inches  
1 inch = 25.4 mm

# RIDING MOWER-- MODEL NO. M105-77X (96021001800), PRODUCT NO. 960 21 00-18

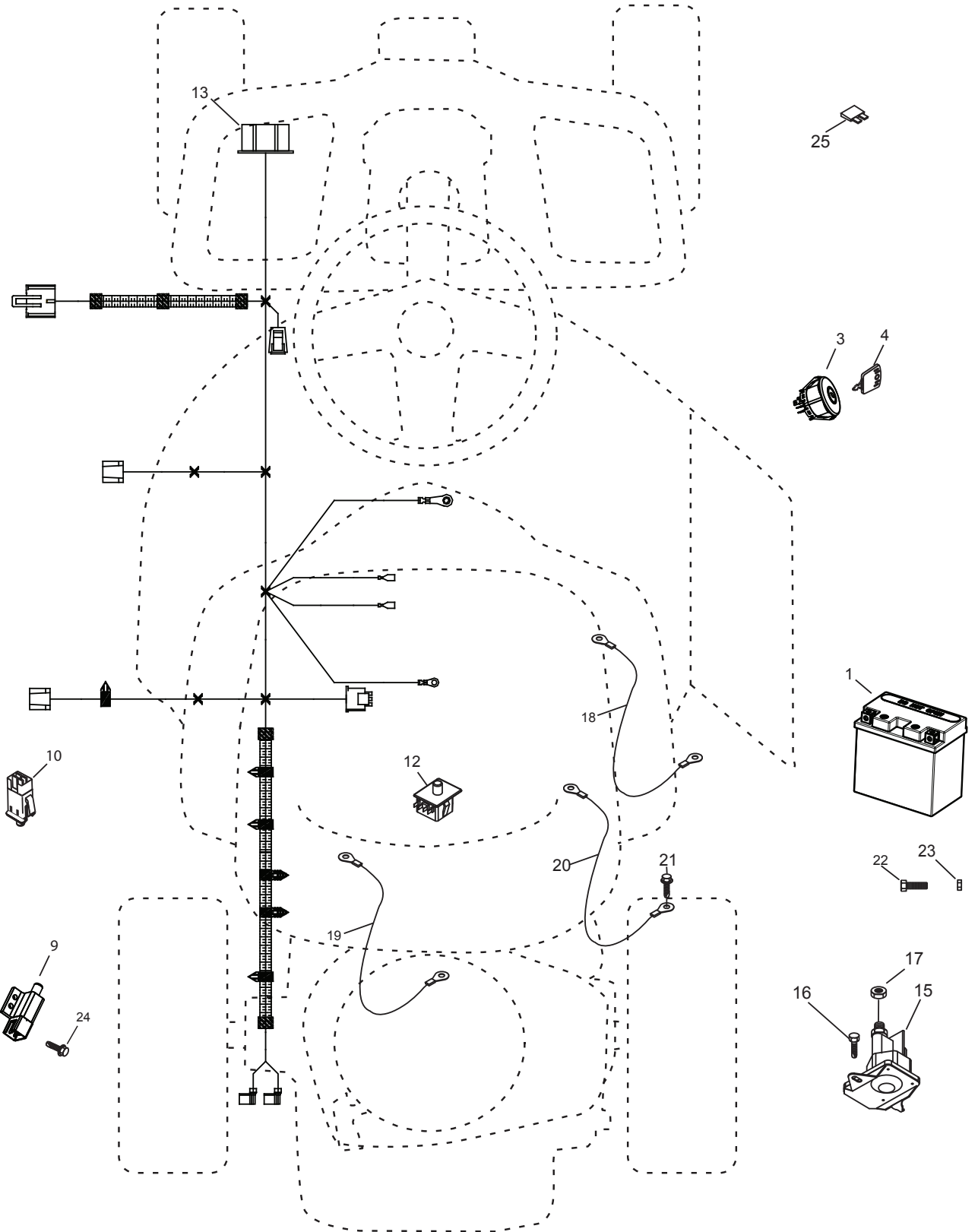
## SCHEMATIC **38**

SCH24



RIDING MOWER -- MODEL NO. M105-77X (96021001800), PRODUCT NO. 96021 00-18  
ELECTRICAL **32**

LRV2

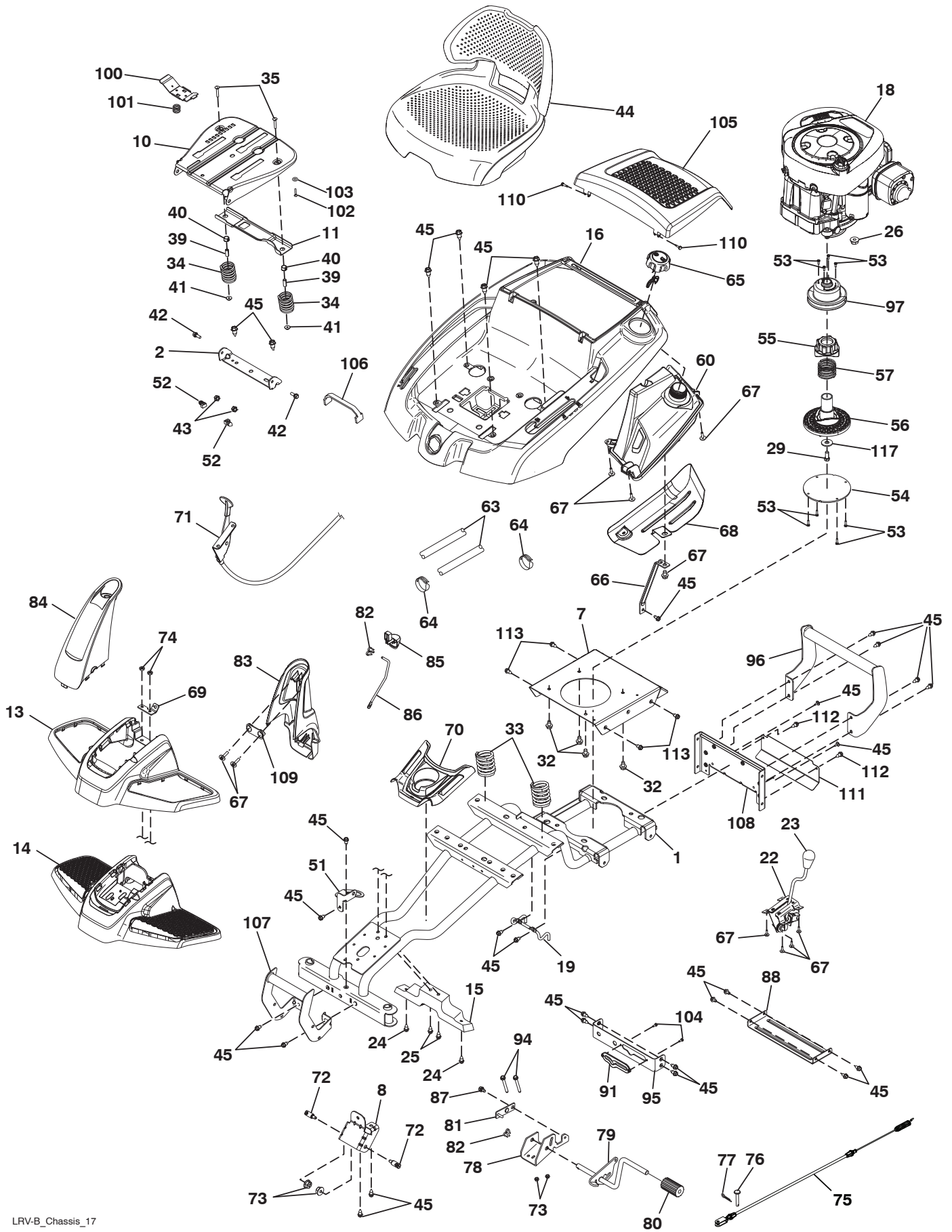


**RIDING MOWER-- MODEL NO. M105-77X (96021001800), PRODUCT NO. 960 21 00-18  
ELECTRICAL 32**

| <b>KEY NO.</b> | <b>PART NO.</b> | <b>DESCRIPTION</b>              |
|----------------|-----------------|---------------------------------|
| 1              | 532 43 65-51    | BATTERY                         |
| 3              | 532 19 33-50    | SWITCH, IGN, DLTA, P-IN, ROS    |
| 4              | 532 41 19-33    | KEY/CHAIN                       |
| 9              | 532 10 95-53    | SWITCH, INTLK,CL, MWR, GRY      |
| 10             | 532 17 61-38    | SWITCH, INTERLOCK, NONC,GRAY    |
| 12             | 532 19 27-49    | SWITCH, SEAT, DP, ROS           |
| 13             | 532 43 72-28    | HARNESS, IGN, ELECTSTART, LRV   |
| 15             | 532 19 25-07    | SOLENOID                        |
| 16             | 817 72 04-08    | SCREW THD CUT 1/4-20 X 1/2 TY23 |
| 17             | 873 51 04-00    | NUT KEPS HEX 1/4-20 UNC         |
| 18             | 532 41 66-94    | CABLE BATTERY                   |
| 19             | 532 42 12-99    | CABLE STARTER                   |
| 20             | 532 42 12-98    | CABLE GROUND                    |
| 21             | 817 06 05-12    | SCREW 5/16-18 X 3/4             |
| 22             | 532 44 21-48    | SCREW HEX M5X0.8.9MM            |
| 23             | 532 43 81-22    | NUT M5                          |
| 24             | 818 10 10-12    | SCREW TORX #10-14 X .750        |
| 25             | 532 43 48-99    | FUSE, 10                        |

**NOTE:** All component dimensions given in U.S. inches  
1 inch = 25.4 mm

**RIDING MOWER -- MODEL NO. M105-77X (96021001800), PRODUCT NO. 9602100-18**  
**CHASSIS AND ENCLOSURES 39**

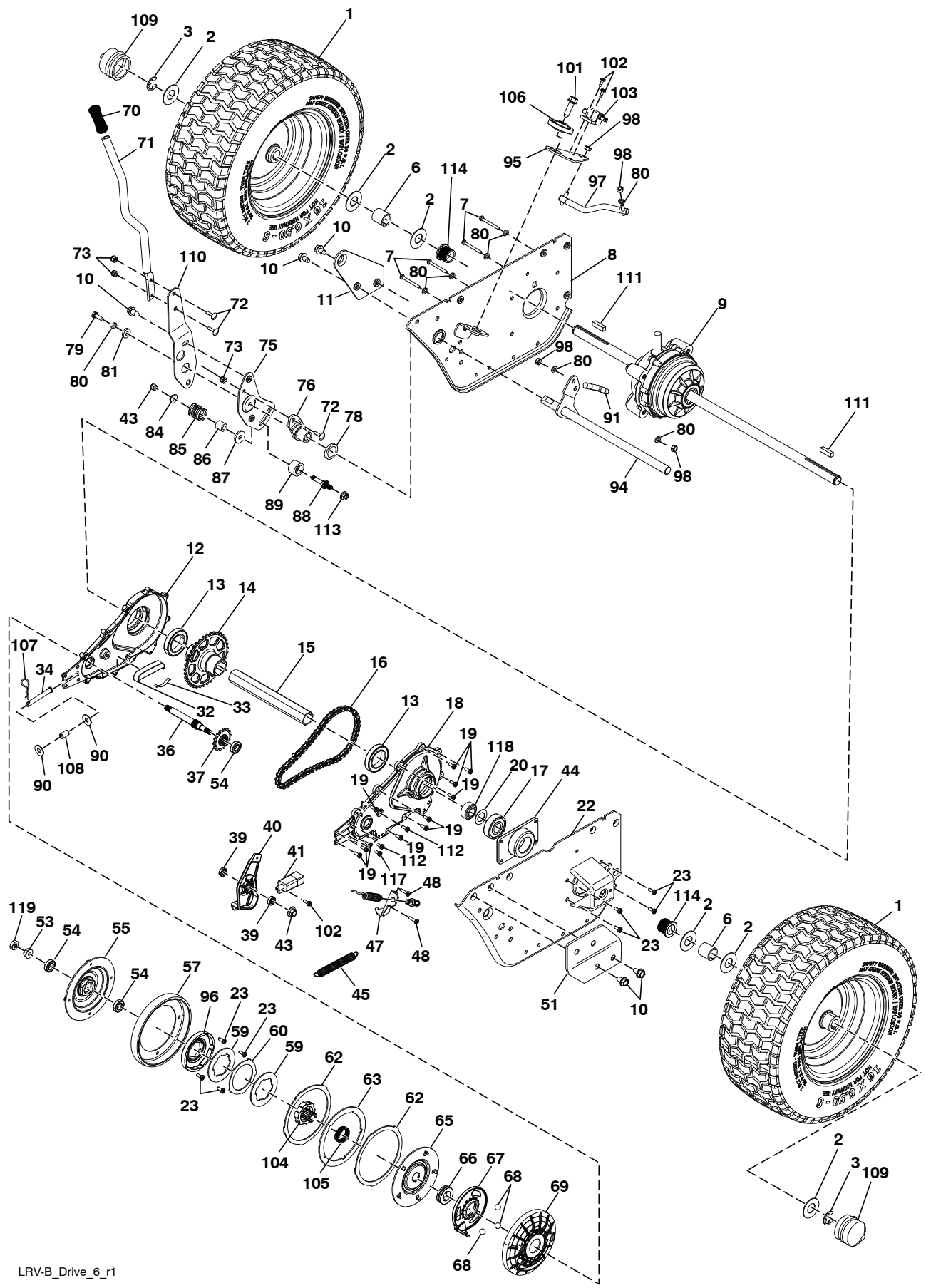


**RIDING MOWER-- MODEL NO. M105-77X (96021001800), PRODUCT NO. 960 21 00-18  
CHASSIS AND ENCLOSURES 39**

| KEY<br>NO. | PART<br>NO.  | DESCRIPTION   | KEY<br>NO. | PART<br>NO.  | DESCRIPTION                   |
|------------|--------------|---|------------|--------------|-------------------------------|
| 1          | 532 43 61-76 | WELDMENT, CHASSIS   | 69         | 532 43 74-27 | BRACKET MOUNT CABLE           |
| 2          | 532 18 01-66 | BRACKET, SEAT   | 70         | 532 44 20-68 | CONSOLE CENTER<br>CUPHOLDER   |
| 7          | 532 43 61-77 | PLATE, ENGINE   | 71         | 532 43 78-57 | THROTTLE ASM                  |
| 8          | 532 43 68-60 | BRACKET, CHASSIS FRONT  | 72         | 532 19 51-61 | STUD FASTNER                  |
| 10         | 532 44 18-05 | PAN, SEAT   | 73         | 873 90 05-00 | NUT LOCK HEX FLANGE 5/16-18   |
| 11         | 532 19 93-70 | BRACKET, SWITCH MOUNTING  | 74         | 873 90 04-00 | NUT HEX FLANGE 1/4-20         |
| 13         | 532 44 20-71 | COVER, FOOT REST  | 75         | 532 43 69-59 | CABLE BRAKE                   |
| 14         | 532 44 20-75 | FOOTREST STRUCTURAL   | 76         | 877 10 08-12 | PIN CLEVIS                    |
| 15         | 532 44 20-69 | SUPPORT, FOOT REST  | 77         | 876 02 02-08 | PIN COTTER 1/16 X 1/2         |
| 16         | 532 43 93-95 | PANEL ASM, CONTROL  | 78         | 532 43 70-56 | BRACKET SUPPORT ROD           |
| 18         | -----        | ENGINE, 215807-0335-B1<br>(447265) (NON-CALIFORNIA)<br>(ORDER PARTS FROM ENGINE<br>MANUFACTURER.) | 79         | 532 43 70-57 | BRAKE WELDMENT                |
| 19         | 532 43 68-61 | KEEPER, BELT  | 80         | 532 42 96-93 | BRAKE PEDAL COVER             |
| 22         | 532 44 21-30 | DECK CLUTCH ASM   | 81         | 532 43 73-74 | WELDMENT LINK<br>CONNECTING   |
| 23         | 532 14 98-46 | KNOB  | 82         | 532 16 94-84 | RETAINER CLIP                 |
| 24         | 532 41 63-58 | SCREW #10 X 0.750 BOS<br>THREAD   | 83         | 532 43 93-67 | STEERING TOWER REAR           |
| 25         | 872 14 04-24 | BOLT  | 84         | 532 43 92-88 | STEERING BOOT FRONT           |
| 26         | 873 51 04-00 | NUT 1/4-20  | 85         | 532 43 76-60 | PARKING BRAKE HANDLE          |
| 29         | 532 43 89-21 | BOLT, 7/16-20 X 1.00  | 86         | 532 43 87-62 | ACTUATOR PARKING BRAKE        |
| 32         | 817 06 06-20 | SCREW 3/8-16 X 1-1/4  | 87         | 532 16 54-92 | SHOULDER BOLT                 |
| 33         | 532 12 41-81 | SPRING, SEAT  | 88         | 532 42 81-10 | CROSS BRACE                   |
| 34         | 532 12 37-40 | SPRING  | 91         | 532 43 74-01 | TRACK CLUTCH BRKT             |
| 35         | 872 05 04-12 | BOLT, 1/4-20 X 1 1/2  | 94         | 874 49 05-48 | BOLT                          |
| 39         | 532 13 43-00 | SPACER  | 95         | 532 44 42-71 | BRACKET CLUTCHING             |
| 40         | 532 12 12-48 | BUSHING, NYLON SNAP   | 96         | 532 44 20-73 | BUMPER REAR                   |
| 41         | 532 12 39-76 | NUT, LOCK   | 97         | 532 43 64-72 | PULLEY ENGINE                 |
| 42         | 532 17 18-52 | BOLT, 5/16-18 SHOULDER  | 100        | 532 19 76-61 | HANDLE SLIDE SEAT             |
| 43         | 873 80 05-00 | NUT, 5/16-18  | 101        | 532 19 82-00 | SPRING LATCH SEAT             |
| 44         | 532 43 66-12 | SEAT  | 102        | 874 76 06-12 | BOLT FIN HEX 3/8-16 UNC X 3/4 |
| 45         | 817 00 05-12 | BOLT 5/16-18 X 3/4  | 103        | 819 13 38-12 | WASHER 13/32 X 2 3/8 X 12 GA  |
| 51         | 532 42 88-56 | BRACKET   | 104        | 818 10 10-08 | SCREW TORK #10-14 X 1/2       |
| 52         | 532 14 50-06 | CLIP PUSH-IN HINGED   | 105        | 532 44 20-78 | ENGINE COVER                  |
| 53         | 532 43 85-62 | SCREW   | 106        | 532 43 68-34 | STRAP BATTERY                 |
| 54         | 532 43 64-73 | DISC FRICTION   | 107        | 532 44 20-74 | FRONT BRUSH GUARD             |
| 55         | 532 43 58-08 | TORSION BODY UPPER  | 108        | 532 43 71-68 | COVER REAR TRANSAXLE          |
| 56         | 532 43 58-07 | TORSION BODY LOWER  | 109        | 532 43 90-08 | BRAKE HANDLE PLATE            |
| 57         | 532 43 64-79 | SPRING HELIX  | 110        | 532 44 21-45 | CONTROL PANEL HINGE PIN       |
| 60         | 532 43 78-58 | FUEL TANK ASM   | 111        | 532 43 81-71 | SHIELD, BRAKE CABLE           |
| 63         | 532 41 41-19 | PURGE LINE  | 112        | 817 72 04-08 | SCREW THD CUT                 |
| 64         | 532 12 34-87 | CLAMP HOSE  | 113        | 817 06 05-12 | SCREW 5/16-18 X 3/4           |
| 65         | 532 43 85-96 | FUEL CAP  | 117        | 532 19 91-62 | WASHER 1.5 X .50 X .118       |
| 66         | 532 43 66-06 | FUEL TANK SUPPORT BRKT  |            |              |                               |
| 67         | 532 42 17-56 | SCREW #10 X 0.500   |            |              |                               |
| 68         | 532 43 98-51 | SHIELD HEAT   |            |              |                               |

**NOTE:** All component dimensions given in U.S. inches  
1 inch = 25.4 mm

RIDING MOWER -- MODEL NO. M105-77X (96021001800), PRODUCT NO. 96021 00-18  
DRIVE **40**





**RIDING MOWER-- MODEL NO. M105-77X (96021001800), PRODUCT NO. 960 21 00-18  
DRIVE 40**

| KEY<br>NO. | PART<br>NO.  | DESCRIPTION                            | KEY<br>NO. | PART<br>NO.  | DESCRIPTION                        |
|------------|--------------|--|------------|--------------|------------------------------------|
| 1          | 532 44 20-79 | WHEEL ASM (REAR)                       | 69         | 532 44 58-16 | COVER CLUTCH                       |
| 2          | 532 12 17-48 | WASHER, 16 GA.                         | 70         | 580 96 23-01 | GRIP LEVER                         |
| 3          | 812 00 00-01 | E-CLIP                                 | 71         | 532 43 68-65 | TUBE SHIFT LRV                     |
| 6          | 532 15 69-72 | SPACER AXLE                            | 72         | 872 11 04-06 | BOLT CARR.                         |
| 7          | 874 78 04-28 | HCS 1/4-20 X 1-3/4 GR 5 ZD             | 73         | 873 68 04-00 | NUT CROWNLOCK 1/4 - 20 UNC         |
| 8          | 532 43 66-95 | WELMENT SUPPORT AXLE RH                | 75         | 532 43 67-58 | BRACKET MOUNT SHIFT                |
| 9          | 532 44 39-89 | SUBASM FINAL DRIVE                     | 76         | 532 44 43-04 | HUB SHIFT                          |
| 10         | 817 00 05-12 | SCREW 5/16 - 18 X 3/4                  | 78         | 532 42 90-55 | SPACER NYLON .866 X 1.25 X<br>.250 |
| 11         | 532 43 67-41 | BRACKET.SUPPORT.RH                     | 79         | 874 78 04-12 | BOLT.FIN.HEX.1/4-20 UNC X .75      |
| 12         | 532 44 74-24 | CASE CHAIN RH                          | 80         | 810 04 04-00 | WASHER LOCK HVY HLCL<br>SPRING     |
| 13         | 532 43 72-80 | BEARING BALL 6207-SRS                  | 81         | 819 09 12-10 | WASHER 9/32 X 3/4 X 10 GA.         |
| 14         | 532 43 71-76 | SPROCKET DRIVEN 37 TOOTH               | 84         | 819 11 16-10 | WASHER 11/32 X 1.00 X 10 GA.       |
| 15         | 532 44 29-53 | TUBE INPUT HEX                         | 85         | 532 43 69-14 | SPRING FRICTION PACK               |
| 16         | 532 43 61-53 | CHAIN PRIMARY DRIVE                    | 86         | 532 43 73-04 | BUSHING PACK FRICTION FD2          |
| 17         | 532 43 72-82 | BEARING BALL 6204-3-2RS                | 87         | 532 43 69-48 | WASHER PLASTIC                     |
| 18         | 532 43 61-49 | CASE CHAIN LH                          | 88         | 532 43 67-01 | STUD PACK FRICTION                 |
| 19         | 818 05 10-10 | SCREW 10 - 24 X 5/8 PAN HEAD<br>TORX   | 89         | 532 43 72-99 | SPACER PACK FRICTION FD2           |
| 20         | 532 12 49-31 | WASHER THRUST .75 X 1.230              | 90         | 819 11 14-16 | WASHER.11/32 X 7/8 X 16 GA.        |
| 22         | 532 43 66-96 | WELMENT SUPPORT AXLE LH                | 91         | 532 43 69-24 | SUBASM.LINK.SHIFT                  |
| 23         | 818 10 10-08 | SCREW TORX #10 - 14 X 1/2              | 94         | 532 43 69-18 | WELDMENT.SHIFT.FD2                 |
| 32         | 532 43 61-51 | BLOCK TENSION CHAIN                    | 95         | 532 43 68-66 | PLATE.SHIFT                        |
| 33         | 532 43 61-50 | SPRING ADJUSTER TENSION                | 96         | 532 44 47-17 | DRUM CLUTCH MULTI DISC             |
| 34         | 877 10 10-40 | PIN CLEVIS 5/16 X 2-1/2                | 97         | 532 43 69-25 | SUBASM LINK SHIFT PRIMARY          |
| 36         | 532 44 62-78 | SHAFT INPUT CLUTCH                     | 98         | 532 15 03-60 | NUT LOCK CENTER 1/4 - 28<br>FNTHD  |
| 37         | 532 43 61-52 | SPROCKET SPLINED 14 TOOTH              | 101        | 817 06 06-24 | SCREW.3/8-16X1-1/2.<br>SMGML.TAP/R |
| 39         | 532 43 04-70 | BEARING BALL                           | 102        | 532 08 67-77 | THREAD.CUTTER                      |
| 40         | 532 43 69-39 | ARM BRAKE                              | 103        | 532 10 44-45 | SWITCH.SEAT.                       |
| 41         | 532 10 95-53 | SWITCH INTLK CL MWR GRY 4<br>TERM      | 104        | 532 44 47-15 | HUB CENTER                         |
| 43         | 873 80 05-00 | NUT LOCK HEX W/INSERT 5/16<br>- 18 UNC | 105        | 532 43 61-42 | SPRING WAVE C125-H5                |
| 44         | 532 43 66-52 | COVER END HEX                          | 106        | 532 19 43-21 | SPACER RETAINER                    |
| 45         | 532 43 61-54 | SPRING DRIVE                           | 107        | 532 12 47-88 | RETAINER.SPRING.1".ZINC/<br>CAD    |
| 47         | 532 43 69-49 | BRACKET MOUNT CABLE<br>LRV B           | 108        | 532 43 67-84 | BUSHING.5/16IDX7/16ODX1/2          |
| 48         | 817 54 10-16 | SCREW.HEX.HEAD WASH.10-24<br>X 1.00    | 109        | 532 19 32-68 | CAPHUB.AXLE.1.50 X 1.00            |
| 51         | 532 43 67-39 | BRACKET SUPPORT LH                     | 110        | 532 42 84-61 | BRACKET SHIFTER FLEX               |
| 53         | 873 90 06-00 | LOCK NUT, FLANGED                      | 111        | 532 12 35-83 | KEY.SQUARE.2.0 X .1845/.1865       |
| 54         | 532 43 57-26 | BEARING BALL                           | 112        | 818 10 10-12 | SCREW TORX #10-14 X .750           |
| 55         | 532 44 47-16 | COVER WHEEL CLUTCH                     | 113        | 873 90 05-00 | NUT LOCK FLANGE HEX                |
| 57         | 532 43 65-59 | WHEEL FRICTION                         | 114        | 532 43 62-82 | BEARING FLANGE                     |
| 59         | 532 44 10-97 | PLATE.CLUTCH.DRIVE                     | 117        | 532 44 62-00 | SCREW.TORX.SHOULDER                |
| 60         | 532 43 77-87 | PLATE PRESSURE DRIVE                   | 118        | 532 44 25-01 | CAPTUBE.HEX                        |
| 62         | 532 43 77-86 | PLATE CLUTCH BRAKE                     | 119        | 873 35 06-00 | NUT.HEX 3/8-16 UNC                 |
| 63         | 532 43 77-85 | PLATE PRESSURE BRAKE                   |            |              |                                    |
| 65         | 532 44 58-14 | PLATE PRESSURE MASTER                  |            |              |                                    |
| 66         | 532 43 57-24 | BEARING THRUST 20MM                    |            |              |                                    |
| 67         | 532 44 58-15 | PLATE THROWOUT                         |            |              |                                    |
| 68         | 532 44 58-17 | BEARING BALL LOOSE                     |            |              |                                    |

**NOTE:** All component dimensions given in U.S. inches  
1 inch = 25.4 mm



**RIDING MOWER-- MODEL NO. M105-77X (96021001800), PRODUCT NO. 960 21 00-18  
STEERING ASSEMBLY **41****

| KEY NO. | PART NO.     | DESCRIPTION                      |
|---------|--------------|----------------------------------|
| 1       | 532 44 20-64 | WHEEL TUBE                       |
| 2       | 812 00 00-01 | E-CLIP                           |
| 3       | 532 18 89-67 | WASHER, HARDENED                 |
| 4       | 532 12 17-49 | WASHER, 1/4 X 3/4                |
| 5       | 532 43 61-81 | SPINDLE, RH                      |
| 6       | 532 12 49-31 | WASHER, HARDENED THRUST          |
| 7       | 532 12 49-37 | BUSHING, STEERING COLUMN         |
| 9       | 819 13 14-14 | WASHER                           |
| 10      | 532 42 80-57 | WELDMENT, LWR STRG SHAFT         |
| 11      | 532 43 61-83 | LINK, STRNG LH                   |
| 12      | 532 43 61-84 | LINK, STRNG RH                   |
| 13      | 874 78 05-24 | BOLT, 5/16-18 X 1 1/2            |
| 14      | 819 11 12-16 | WASHER 11/32 X 3/4 X 16 GA       |
| 16      | 532 42 87-94 | BUSHING SNAP                     |
| 15      | 873 80 05-00 | NUT, 5/16-18                     |
| 17      | 532 43 61-78 | SUPPORT, UPPER STEERING          |
| 19      | 817 00 05-12 | BOLT, 5/16-18 X 3/4              |
| 20      | 532 42 80-45 | CLIP, RETAINER SPRING            |
| 23      | 532 43 77-47 | ADAPTER, STEERING WHEEL          |
| 26      | 532 42 45-51 | WHEEL, STEERING                  |
| 27      | 532 44 15-06 | CAP, STEERING WHEEL              |
| 28      | 532 19 98-49 | CLIP, RETAINER SPRING            |
| 29      | 532 43 61-80 | SPINDLE LH                       |
| 30      | 532 19 32-68 | CAP, HUB, AXLE                   |
| 31      | 819 34 32-10 | WASHER 1-1/16 X 2 X 10GA.        |
| 32      | 817 58 05-20 | SCREW HEXWSH THD 5/16-18 X 1-3/4 |
| 34      | 532 44 49-80 | SHAFT STEERING                   |
| 35      | 532 44 20-66 | BOOT LOWER STEERING WHEEL        |
| 36      | 532 44 49-81 | SHAFT EXTENSION STEERING SPLINE  |
| 37      | 847 80 51-04 | 5/16-18 X 6.5 HEX                |
| 38      | 810 04 05-00 | WASHER LOCK HVY HLCL SPR 5/16    |
| 39      | 819 11 38-12 | WASHER                           |
| 41      | 532 43 65-90 | FOAM SHAFT STEERING              |
| 42      | 532 42 10-76 | PIN, 5/64 X 3/4 COTTER           |
| 43      | 873 54 05-00 | CROWNLOCK NUT 5/16-24 UNF        |
| 44      | 532 42 80-44 | BUSHING                          |

**NOTE:** All component dimensions given in U.S. inches  
1 inch = 25.4 mm



**RIDING MOWER-- MODEL NO. M105-77X (96021001800), PRODUCT NO. 960 21 00-18  
MOWER DECK 44**

| <b>KEY NO.</b> | <b>PART NO.</b> | <b>DESCRIPTION</b>             |
|----------------|-----------------|--------------------------------|
| 1              | 532 43 68-48    | DECK                           |
| 2              | 532 19 28-70    | MANDREL ASM                    |
| 3              | 532 43 68-56    | KEEPER, BELT                   |
| 4              | 532 43 68-55    | PULLEY, MANDREL                |
| 5              | 532 44 15-97    | BELT                           |
| 6              | 532 43 68-63    | COVER, MANDREL                 |
| 7              | 532 43 71-44    | LIFT ASM, DECK                 |
| 8              | 532 42 91-95    | LINK LIFT FIXED                |
| 9              | 532 42 93-97    | LINK ASM. LIFT ADJUSTABLE      |
| 10             | 532 43 96-38    | DEFLECTOR                      |
| 12             | 532 43 66-47    | PIN, HINGE                     |
| 13             | 532 43 74-62    | SPRING, TORSION                |
| 14             | 532 19 51-85    | ARM, MOWER SUPPORT             |
| 17             | 819 19 19-12    | WASHER                         |
| 18             | 532 19 42-09    | PIN                            |
| 19             | 532 19 65-39    | BOLT, SHOULDER                 |
| 20             | 532 19 42-08    | PIN COTTER 5/16 BOW TIE LOCK   |
| 21             | 819 17 19-12    | WASHER 17/32 X 1-3/16 X 12 GA. |
| 22             | 532 44 15-98    | LINK ASM DECK                  |
| 24             | 532 40 18-72    | SPRING.RETURN.DECK             |
| 25             | 532 12 47-88    | RETAINER SPRING 1"             |
| 26             | 532 18 76-90    | SPACER, MANDREL                |
| 27             | 532 17 39-84    | BOLT, MANDREL                  |
| 28             | 532 40 02-34    | NUT FLANGE LOCK TOP            |
| 29             | 532 44 62-81    | BLADE                          |
| 30             | 532 19 30-03    | BOLT, BLADE                    |
| 31             | 532 19 31-97    | PULLEY, IDLER                  |
| 32             | 532 14 10-43    | GUARD, IDLER TUV               |
| 34             | 872 11 06-12    | BOLT, 3/8-16 X 1 1/2           |
| 35             | 532 19 94-70    | ARM, BRAKE                     |
| 36             | 532 13 77-29    | SCREW THD ROLL 1/4-20 X 5/8    |
| 37             | 873 90 06-00    | NUT, 3/8-16 FLANGE             |
| 40             | 819 17 16-16    | WASHER, 16 GA.                 |
| 48             | 586 79 41-01    | ARM CLUTCHING                  |
| 49             | 532 19 90-92    | SPACER RETAINER                |
| 50             | 817 00 06-16    | SCREW 3/8-16 X 1               |
| 52             | 817 60 04-06    | SCREW 1/4-20 X 3/8             |
| 53             | 532 40 18-72    | SPRING RETURN DECK             |
| 54             | 532 41 55-98    | PORT WASHOUT                   |
| 55             | 532 43 79-88    | E-RING 5/16                    |
| 56             | 532 43 68-62    | ROD ANTI-SWAY                  |
| 57             | 819 13 13-12    | WASHER 13/32 X 13/16 X 12 GA.  |
| 59             | 532 43 68-58    | GUARD TUV IDLER                |
| 61             | 532 43 79-47    | MULCH COVER ASM                |
| 62             | 532 17 62-05    | TRUNION SUSPENSION ARM         |
| 63             | 532 17 59-94    | NUT LIFT LINK 7/16-20          |
| 83             | 819 12 14-14    | WASHER 3/8 X 7/8 X 14 GA.      |

**NOTE:** All component dimensions given in U.S. inches  
1 inch = 25.4 mm

