

ILLUSTRATED PARTS LIST

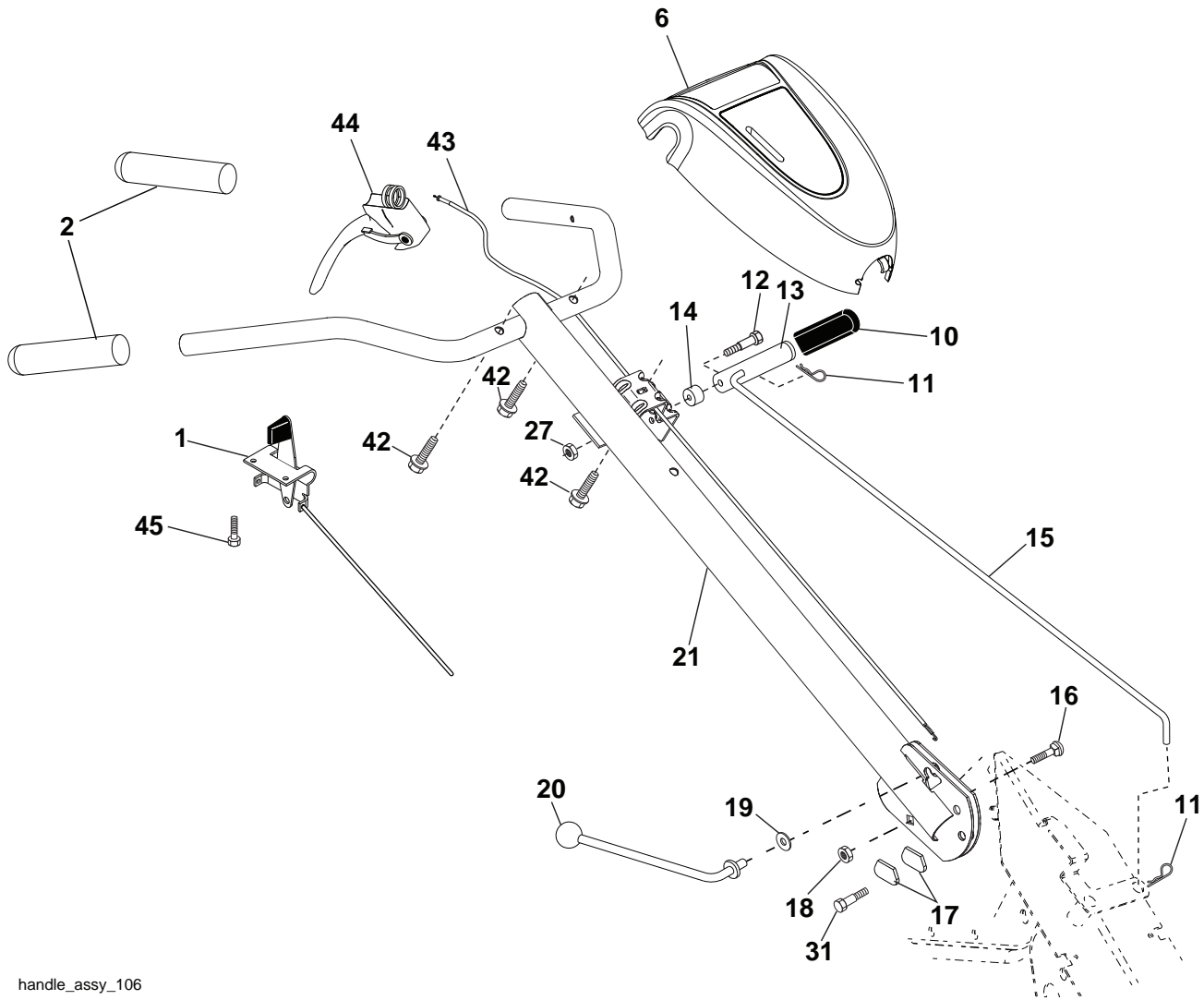
MFG. ID NO. 96091002101

CUSTOMER CATALOG NO. MRT6

PRODUCT NO. 960 91 00-21

REPAIR PARTS

TILLER - - MODEL NUMBER MRT6 (96091002101), PRODUCT NUMBER 960 91 00-21
HANDLE ASSEMBLY



handle_assy_106

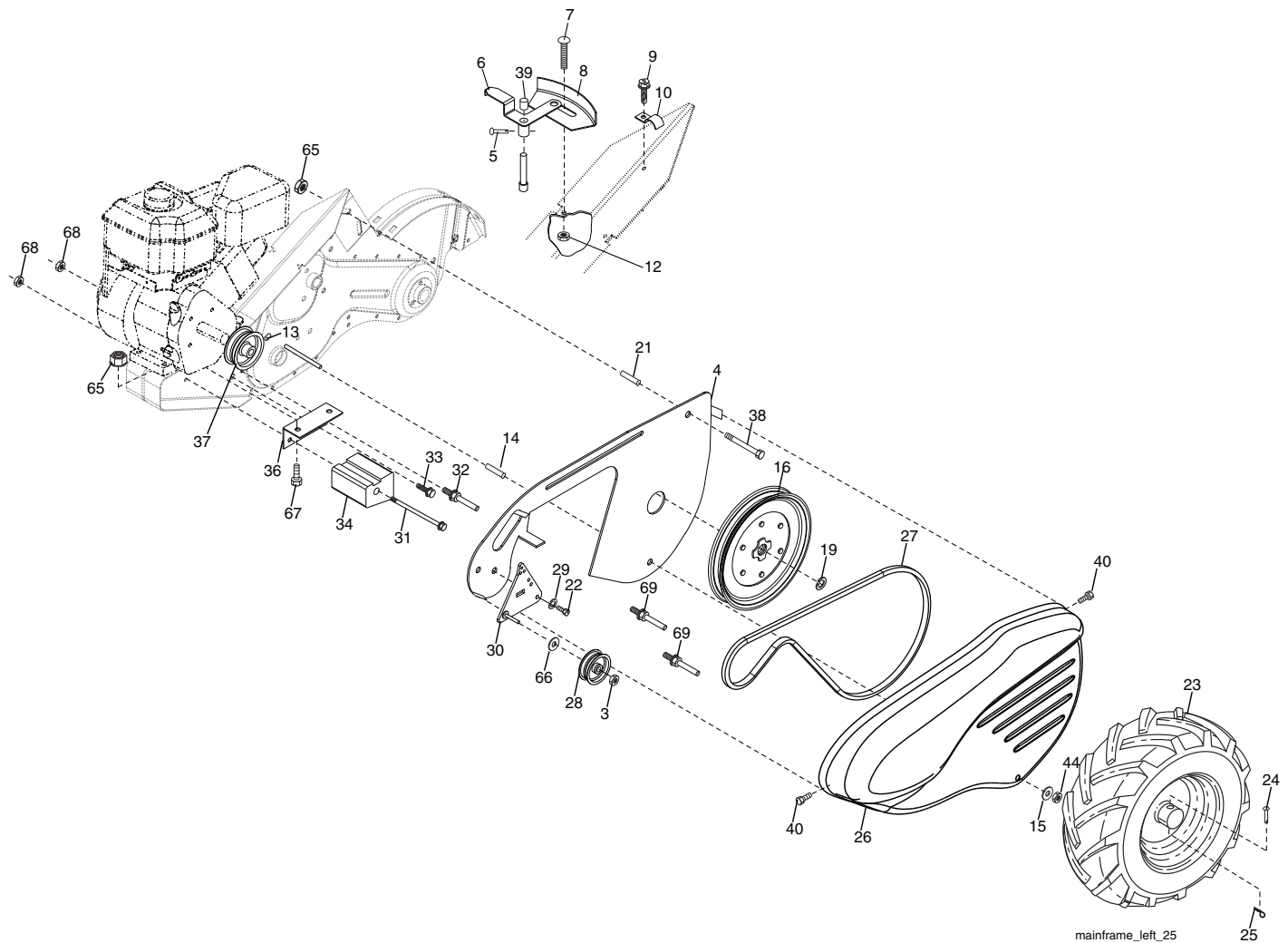
KEY NO.	PART NO.	DESCRIPTION
1	532 18 94-82	Control, Throttle
2	532 42 76-43	Grip, Handle
6	532 44 60-77	Panel, Control
10	532 00 82-06	Grip, Handle
11	532 12 47-88	Clip, Hairpin
12	532 08 13-28	Bolt, Shoulder
13	532 18 74-97	Handle, Shift
14	532 10 93-13	Grommet, Rubber
15	532 10 93-37	Rod, Shift
16	872 11 06-08	Bolt, Carriage 3/8-16 x 1 Gr. 5
17	532 10 92-29	Lock, Handle
18	873 68 06-00	Nut, Crownlock 3/8-16 unc
19	819 13 16-11	Washer 13/32 x 1 x 11 Ga.

KEY NO.	PART NO.	DESCRIPTION
20	532 10 92-28	Lever, Lock, Handle
21	532 19 31-29	Handle
27	873 90 04-00	Nut Hex Flange 1/4-20 unc
31	532 15 06-96	Bolt, Pivot
42	532 41 63-58	Screw, #10 x .750, BOS Thd.
43	532 43 87-95	Cable Handle Tine Control
44	532 43 87-82	Control Handle Two Function
45	532 42 17-56	Screw #10 x .500

NOTE: All component dimensions given in U.S. inches.
1 inch = 25.4 mm

REPAIR PARTS

TILLER - - MODEL NUMBER MRT6 (96091002101), PRODUCT NUMBER 960 91 00-21
MAINFRAME, LEFT SIDE



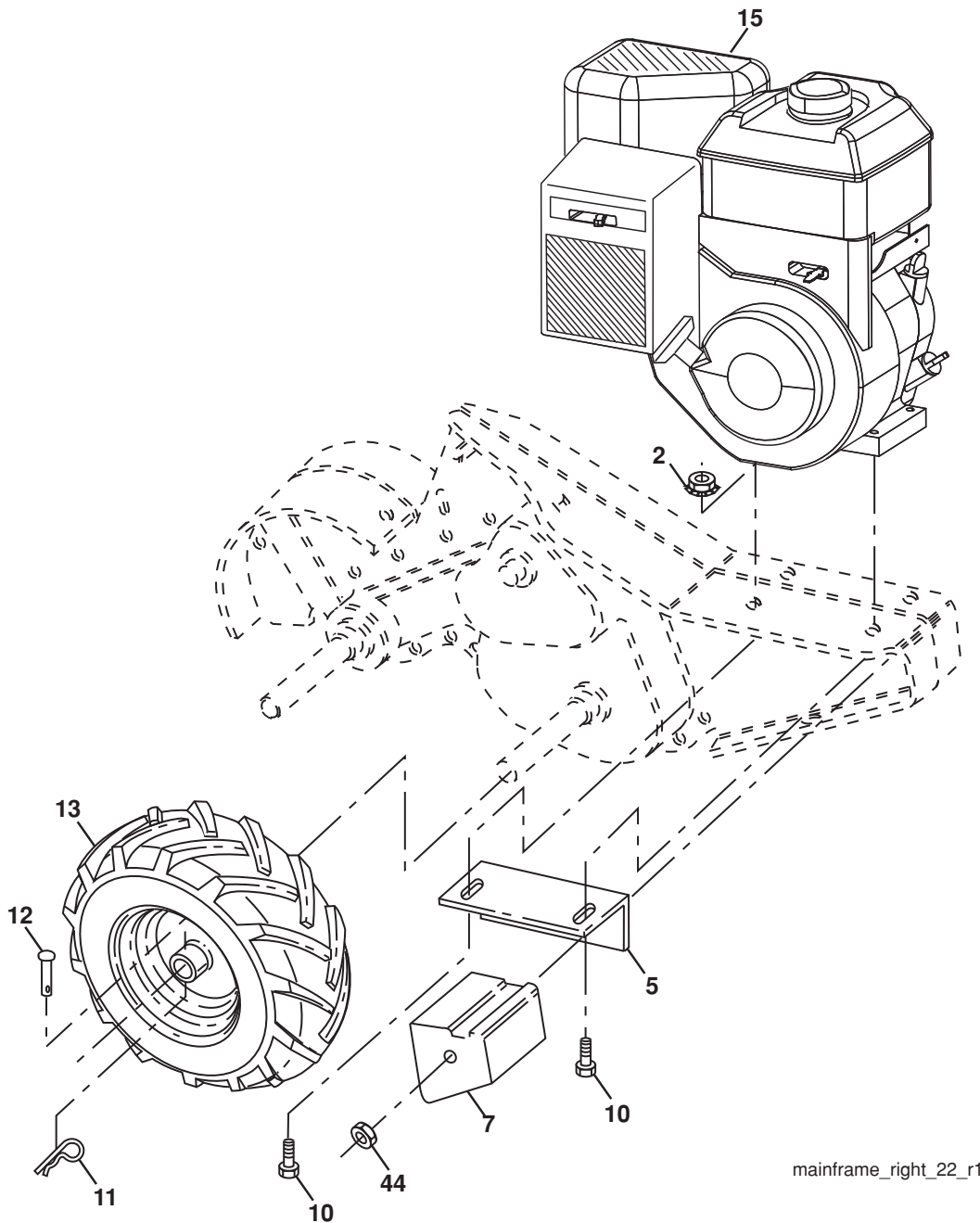
KEY NO.	PART NO.	DESCRIPTION
3	873 22 06-00	Nut, Hex 3/8-16
4	532 43 24-20	Shield, Inner Belt Guard RT
5	532 16 43-29	Pin Spirol Flared
6	532 11 01-11	Lever, Shift
7	872 11 04-04	Bolt, Carriage 1/4-20 x 1/2 Gr. 5
8	532 00 87-00	Plate, Shift Indicator
9	532 08 67-77	Screw, Hex, Washer Head, Slotted #10-24 x 1/2
10	532 00 94-84	Clip
12	873 51 04-00	Nut, Keps Hex 1/4-20 unc
13	823 23 05-06	Screw, Set, Hex 5/16-18 x 3/8
14	532 15 61-17	Spacer, Split
15	819 11 11-16	Washer 11/32 x 11/16 x 16 Ga.
16	532 14 51-02	Sheave, Transmission
19	812 00 00-28	Retainer, Ring
21	532 11 06-52	Spacer, Split 0.327 x 0.42 x 2.09
22	874 77 05-08	Bolt, Fin Hex 5/16-24 unf x 1/2
23	532 00 50-15	Tire
	532 12 72-59	Rim
	532 12 47-18	Tire Valve
24	532 12 68-75	Rivet, Drilled
25	532 12 47-88	Clip, Hairpin
26	532 40 72-86	Guard, Belt

KEY NO.	PART NO.	DESCRIPTION
27	532 13 28-01	Belt, V
28	532 10 46-79	Pulley, Idler
29	812 00 00-32	Ring, Klip
30	532 15 92-29	Bracket, Idler
31	532 10 23-84	Bolt, Hex 3/8-16 unc x 12
32	532 10 21-41	Shaft, Idler Arm
33	874 76 06-16	Bolt, Hex 3/8-16 x 1
34	532 10 23-83	Counterweight, L. H.
36	532 10 23-31	Bracket, Reinforcement, L. H.
37	532 13 08-12	Sheave, Engine
38	874 76 05-44	Bolt, Fin Hex 5/16-18 unc x 2-3/4
39	532 14 00-62	Cap, Plunger Blk
40	532 17 04-88	Screw Hex Wsh Slit #10-24 x 1/2
44	873 80 05-00	Nut Lock Hex w/Ins 5/16-18 unc PL
65	873 97 05-00	Nut Lock Hex Flange
66	819 13 13-12	Washer 13/32 x 13/16 x 12 Ga.
67	874 76 05-24	Bolt, Hex 5/16-18 x 1-1/2
68	873 51 06-00	Nut, Keps 3/8-16 unc
69	532 16 41-73	Keeper Belt Engine

NOTE: All component dimensions given in U.S. inches.
1 inch = 25.4 mm

REPAIR PARTS

TILLER - - MODEL NUMBER MRT6 (96091002101), PRODUCT NUMBER 960 91 00-21
 MAINFRAME, RIGHT SIDE



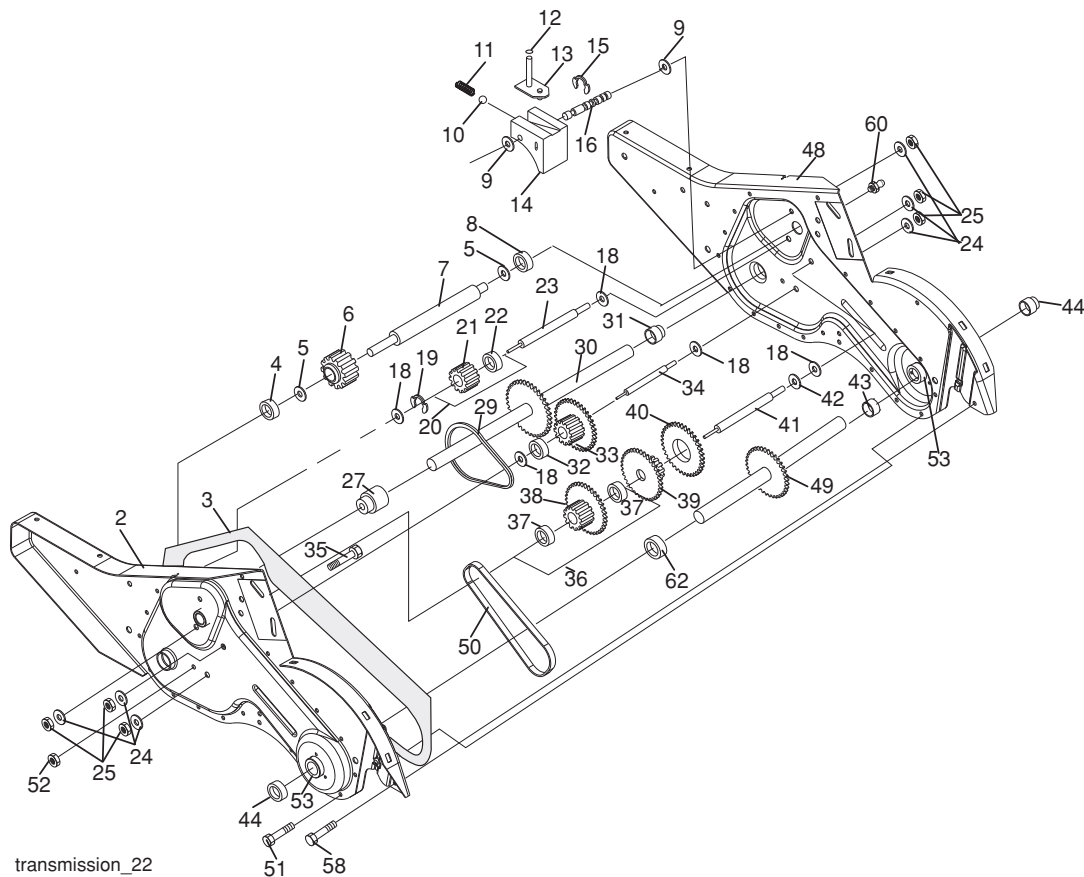
KEY NO.	PART NO.	DESCRIPTION
2	873 97 05-00	Locknut, Hex, Flange 5/16-18
5	532 10 23-32	Bracket, Reinforcement
7	532 10 21-73	Counter Weight, R.H.
10	874 76 05-24	Bolt, Hex 5/16-18 x 1-1/2
11	532 12 47-88	Clip, Hairpin
12	532 12 68-75	Rivet, Drilled
13	532 00 05-15	Tire
	532 12 72-59	Rim
	532 12 47-18	Tire Valve

KEY NO.	PART NO.	DESCRIPTION
15	-----	Engine, Briggs & Stratton Model No. 121002-1423-B8 (435278) (Order parts from Engine Manufacturer.)
44	873 51 06-00	Nut, Keps 3/8-16 unc

NOTE: All component dimensions given in U.S. inches
 1 inch = 25.4 mm
 For engine service and replacement parts, call the toll free number for your engine manufacturer listed below:
 Briggs & Stratton 1-800-233-3723

REPAIR PARTS

TILLER -- MODEL NUMBER MRT6 (96091002101), PRODUCT NUMBER 960 91 00-21 TRANSMISSION



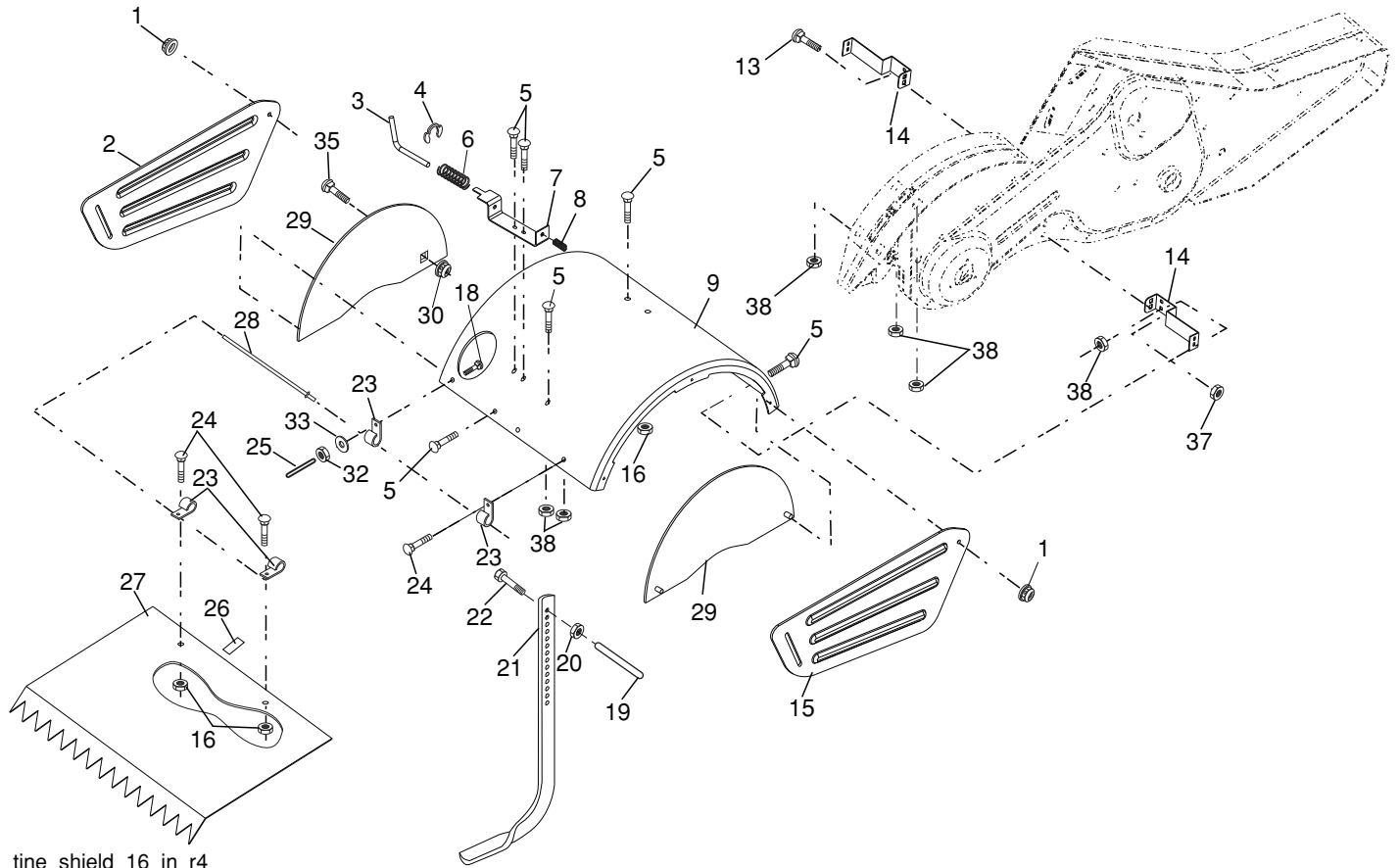
transmission_22

KEY NO.	PART NO.	DESCRIPTION	KEY NO.	PART NO.	DESCRIPTION
1	532 18 85-54	Transmission Assembly (Includes Key Nos. 2-53)	31	532 14 30-08	Bearing, Shaft, Ground Drive R.H.
2	532 18 84-82	Gearcase, L.H. w/Bearing (Includes Key No. 4)	32	532 10 63-88	Spacer 0.70 x 1.00 x 1.150
3	532 43 10-22	Gasket, Gearcase	33	532 10 21-21	Sprocket and Gear Assembly
4	532 00 50-20	Bearing, Needle	34	532 10 21-12	Shaft, Reduction (2nd)
5	532 00 13-70	Washer, Thrust 5/8 x 1.10 x 1/32	35	532 10 21-01	Screw, Whiz, Lock 5/16-18 x 3-1/2
6	532 13 73-35	Pinion, Input	36	532 15 43-55	Sprocket Assembly w/Bearing (Includes Key Nos. 37 and 38)
7	532 14 51-01	Shaft, Input	37	532 12 47-91	Bearing, Needle
8	532 12 47-92	Bearing, Needle	38	532 15 43-56	Sprocket, Tine
9	532 15 44-67	Washer, Seal	39	532 10 53-45	Gear, Cluster, Red 1st & 2nd
10	532 12 46-97	Ball, Steel	40	532 10 53-46	Gear, Reverse
11	532 10 03-71	Spring, Shift, Fork	41	532 00 83-58	Shaft, Reduction (1st)
12	532 10 61-60	O-Ring	42	532 00 42-20	Washer, Thrust
13	532 14 21-45	Arm, Shift	43	532 10 61-46	Spacer 1.01 x 1.75 x 0.760
14	532 00 83-53	Fork, Shift	44	532 15 52-36	Seal Asm, Oil
15	812 00 00-39	Ring, Klip	48	532 18 84-85	Gearcase, R.H. w/Bearing (Includes Key No. 8)
16	532 15 44-66	Shaft, Shift	49	532 43 14-85	Shaft, Tine
18	532 00 43-58	Washer	50	532 10 61-47	Chain, Roller #50-50 Pitch
19	812 00 00-40	Ring, Klip	51	817 72 04-08	Screw 1/4-20 x 1/2
20	532 10 21-14	Gear, Assembly, Reverse Idler (Includes Key Nos. 21 and 22)	52	873 22 05-00	Nut, Hex 5/16-18
21	532 10 21-15	Gear, Reverse Idler	53	532 16 51-40	Kit, Bearing
22	532 00 68-03	Bearing, Needle	58	532 17 95-20	Bolt Shoulder 1/4-20 unc x .875
23	532 10 21-11	Shaft, Reverse Idler	60	532 18 32-26	Fitting Grease
24	810 04 07-00	Washer, Lock 7/16	62	532 43 10-15	Spacer 1.015 x 1.50 x .650
25	873 61 07-00	Nut, Hex 7/16-20	--	532 00 60-66	Grease, Plastilube #1
27	532 43 12-19	Bearing, Shaft, Ground Drive L.H.			
29	532 10 21-34	Chain #35-50 Pitch			
30	532 15 07-37	Ground Shaft Assembly			

NOTE: All component dimensions given in U.S. inches.
1 inch = 25.4 mm

REPAIR PARTS

TILLER - - MODEL NUMBER MRT6 (96091002101), PRODUCT NUMBER 960 91 00-21
TINE SHIELD



tine_shield_16_in_r4

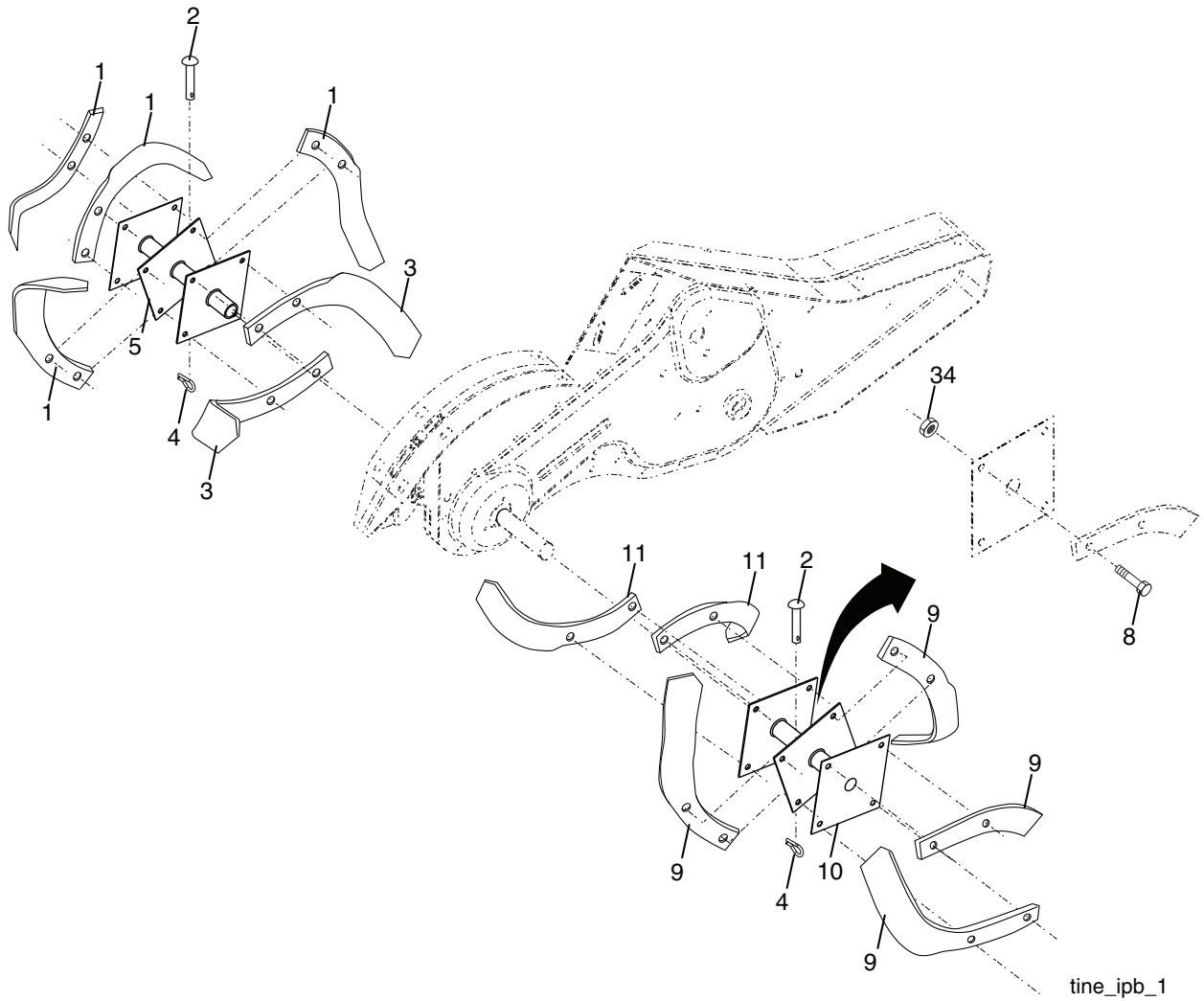
KEY NO.	PART NO.	DESCRIPTION
1	873 90 05-00	Nut, Lock Hex Flange 5/16-18
2	532 19 57-97	Shield, Side, Outer L. H.
3	532 00 83-93	Pin, Stake, Depth
4	812 00 00-35	Ring, Klip
5	532 18 08-47	Bolt, Rdhd Sqnk 5/16-18 x 3/4
6	532 00 83-94	Spring
7	532 00 83-92	Bracket, Latch
8	532 10 92-30	Spring, Depth Stake
9	532 19 58-10	Shield, Tine
13	872 11 05-10	Bolt, Carriage 5/16-18 x 1-1/4 Gr. 5
14	532 12 43-11	Bracket, Shield Tine
15	532 19 57-96	Shield, Side, Outer R.H.
16	873 90 04-00	Nut, Hex Flange 1/4-20 unc
18	872 04 04-10	Bolt, Carriage 1/4-20 x 1-1/4 Gr.
19	532 10 27-01	Grip
20	873 22 06-00	Nut, Hex 3/8-16
21	532 10 21-56	Stake, Depth

KEY NO.	PART NO.	DESCRIPTION
22	874 93 06-32	Bolt, Hex 3/8-16 x 2
23	532 00 44-40	Hinge
24	872 14 04-04	Bolt, Carriage 1/4-20 x 1/2 Gr. 5
25	532 12 47-17	Cap, Vinyl
26	532 10 92-27	Pad, Idler
27	532 19 57-94	Shield, Leveling
28	532 12 05-88	Pin, Hinge
29	532 40 43-64	Shield, Side
30	873 97 05-00	Nut Lock Flange
32	873 22 04-00	Nut Fin Hex 1/4-20 unc
33	810 04 04-00	Washer Lock Hvy Helical 1/4
35	872 11 05-05	Bolt Carr. 5/16-18 x 5/8
37	873 80 05-00	Nut Lock Hex w/Ins 5/16-18 unc
38	873 51 05-00	Nut, Keps 5/16-18 unc

NOTE: All component dimensions given in U.S. inches.
1 inch = 25.4 mm

REPAIR PARTS

TILLER - - MODEL NUMBER MRT6 (96091002101), PRODUCT NUMBER 960 91 00-21
TINE ASSEMBLY



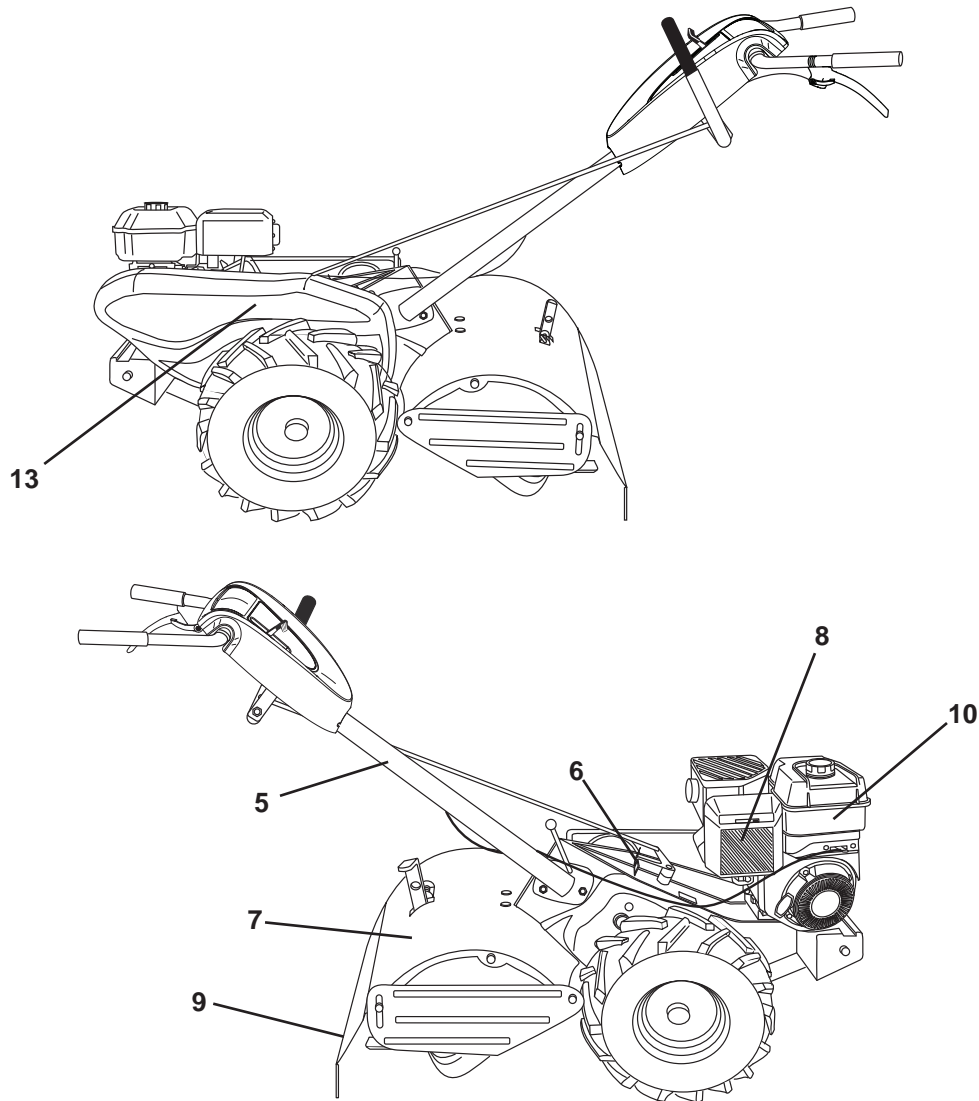
KEY NO.	PART NO.	DESCRIPTION
1	532 00 44-59	Tine, Outer, L.H.
2	532 13 26-73	Clevis Pin
3	532 00 65-54	Tine, Inner, L.H.
4	532 12 46-60	Retainer, Spring Zinc
5	532 13 27-27	Assembly, Hub and Plate, L.H.
8	874 61 06-16	Bolt, Hex 3/8-24 x 1
9	532 00 44-60	Tine, Outer, R.H.

KEY NO.	PART NO.	DESCRIPTION
10	532 13 27-28	Assembly, Hub and Plate, R.H.
11	532 00 65-55	Tine, Inner, R.H.
34	873 54 06-00	Nut Crownlock 3/8-24

NOTE: All component dimensions given in U.S. inches.
1 inch = 25.4 mm

REPAIR PARTS

TILLER - - MODEL NUMBER MRT6 (96091002101), PRODUCT NUMBER 960 91 00-21
DECALS



KEY NO.	PART NO.	DESCRIPTION
5	532 15 98-77	Decal, Hand Placement
6	532 10 21-80	Decal, Shift Indicator
7	532 14 54-37	Decal, Euro CE
8	532 43 53-35	Decal, Engine B&S
9	532 17 65-57	Decal, Warning, Rotating Tines
10	532 41 76-82	Decal, Engine
13	532 43 72-17	Decal, Belt Guard
--	532 44 60-99	Manual, Operator's (EURO)
--	532 44 61-00	Manual, Operator's (SCAN)
--	532 44 61-01	Manual, Operator's (EBLOC)
--	532 44 61-02	Manual, Operator's (BALTIC)

