

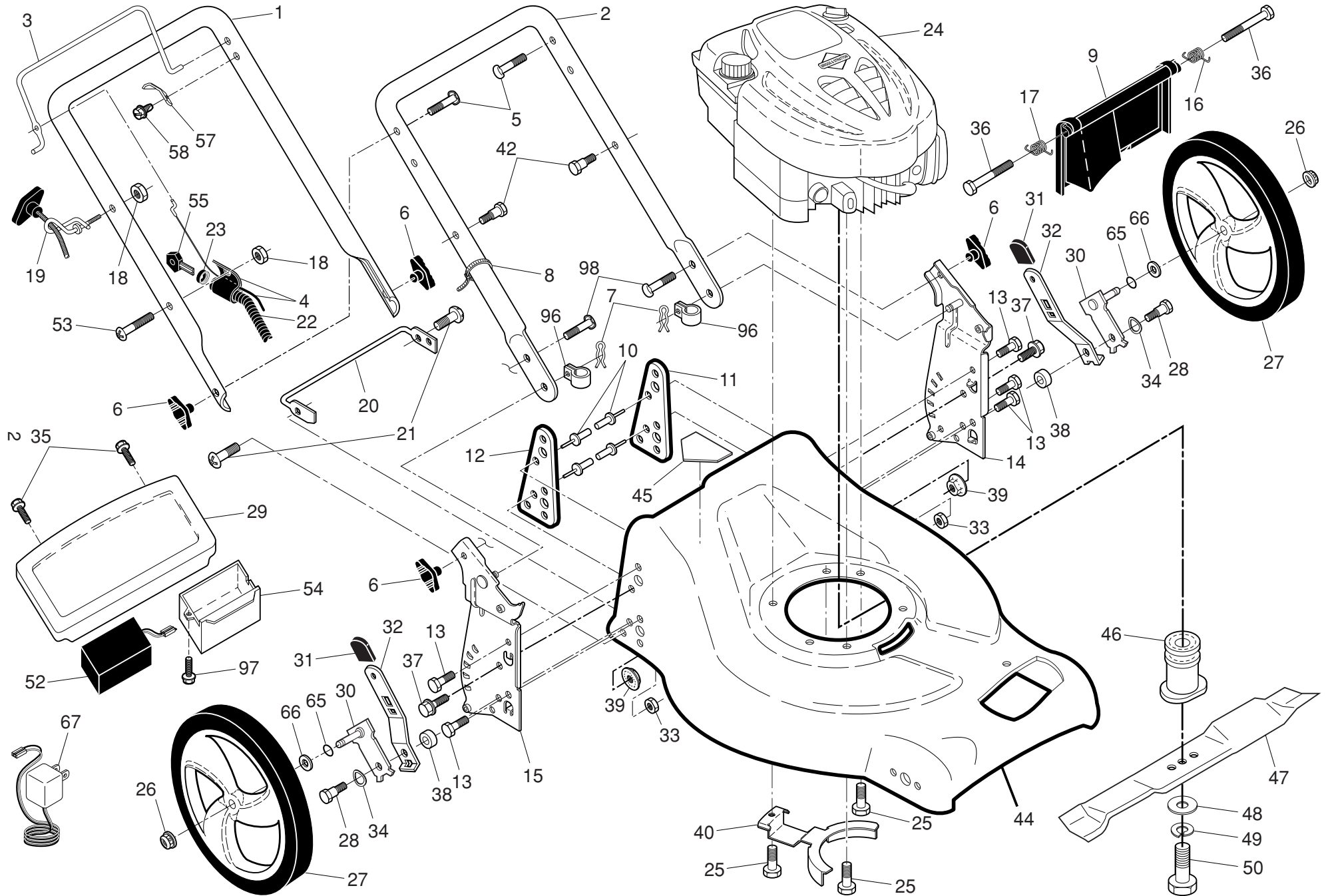
**ILLUSTRATED PARTS LIST**

**MODEL NUMBER M53-625CMDWE**

**PRODUCT NUMBER 961 41 02-52**

**MFG. ID. NUMBER 96141025200**

**ROTARY LAWN MOWER - MODEL NUMBER M53-625CMDWE (96141025200) PRODUCT NO. 961 41 02-52**

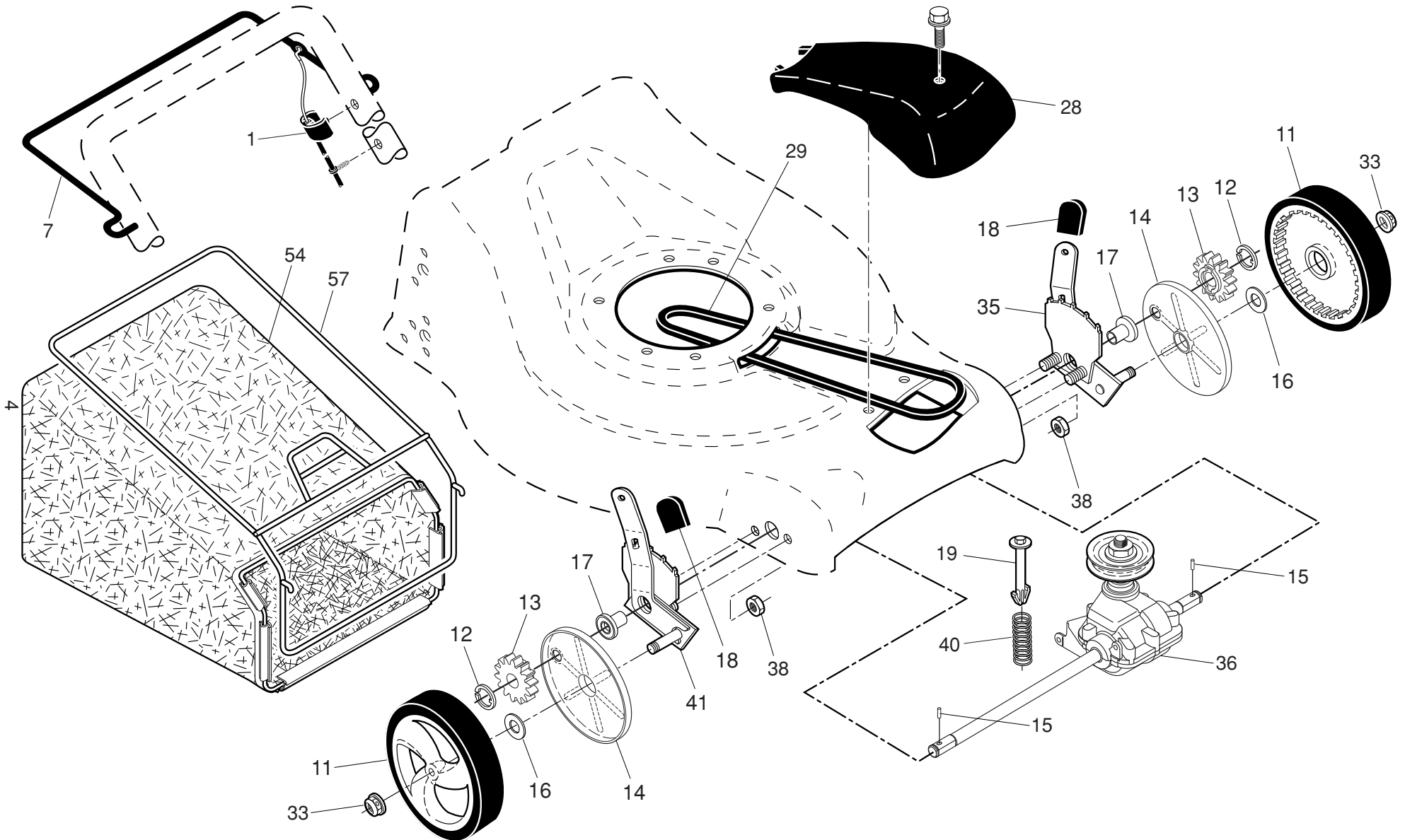


# ROTARY LAWN MOWER - MODEL NUMBER M53-625CMDWE (96141025200) PRODUCT NO. 961 41 02-52

KEY NO.	PART NO.	DESCRIPTION	KEY NO.	PART NO.	DESCRIPTION
1	532 42 77-38	Upper Handle	33	873 80 05-00	Nut, Hex
2	532 43 45-39	Lower Handle	34	532 40 16-30	Washer, Curved, Cylindrical
3	532 19 84-64	Control Bar	35	532 14 18-41	Screw
4	532 40 19-94	Cable, Engine Zone Control (Includes Key Start Switch)	36	532 18 41-93	Bolt
5	532 19 15-74	Handle Bolt	37	874 78 05-12	Screw, Hex Head 5/16-18 x 3/4
6	532 19 19-38	Handle Knob	38	532 40 16-29	Spacer
7	532 05 17-93	Hairpin Cotter	39	532 15 53-77	Locknut, Hex, Flanged, Serrated 5/16-18
8	532 06 64-26	Wire Tie	40	532 42 90-01	Belt Keeper
9	532 40 69-85	Rear Door Assembly	42	532 17 55-51	Bolt, Shoulder
10	532 12 84-15	Pop Rivet	44	532 40 93-64	Kit, Lawn Mower Housing (Includes Key Numbers 10, 11, 12 and 45)
11	532 41 05-40	Support Bracket, LH	45	532 18 21-66	Danger Decal
12	532 41 05-42	Support Bracket, RH	46	532 43 46-25	Blade Adapter / Pulley
13	817 06 04-10	Screw 1/4-20 x 5/8	47	532 19 93-77	Blade, 21"
14	532 43 45-13	Handle Bracket Assembly, LH	48	532 85 10-74	Hardened Washer
15	532 43 45-12	Handle Bracket Assembly, RH	49	532 85 02-63	Helical Washer 3/8-24 x 1-3/8 Grade 8
16	532 40 54-17	Spring, Rear Door, LH	50	532 85 10-84	Hex Head Machine Screw 3/8-24 x 1-3/8 Grade 8
17	532 40 54-18	Spring, Rear Door, RH	52	532 18 95-89	Battery
18	532 13 20-04	Keys Locknut 1/4-20	53	532 18 61-59	Screw
19	532 19 47-88	Rope Guide	54	532 18 62-37	Box, Battery
20	532 43 61-19	Foot Guard	55	532 18 03-31	Key
21	817 49 04-16	Hinge Screw 1/4-20 x 1-1/4	57	532 12 51-62	Bracket, Upstop
22	532 40 95-67	Wiring Harness	58	532 75 06-34	Screw, Threaded, Rolled #10-24 x 1/2
23	532 19 48-48	Nut, Cap	65	532 19 74-80	O-Ring
24	- - -	Engine, Briggs & Stratton, Model Number 122T05-1615-H1 (order parts from engine manufacturer)	66	532 08 83-48	Washer, Flat
25	532 15 04-06	Hex Head Thread Rolling Screw 3/8-16 x 1-1/8	67	532 19 24-36	Charger, Battery
26	532 40 91-49	Hex Flange Nut	96	532 19 79-91	Clip, Cable
27	532 43 31-18	Wheel & Tire Assembly	97	817 41 13-08	Screw
28	532 40 16-38	Shoulder Bolt 5/16-18 x .33	98	872 25 05-05	Bolt, Carriage
29	532 41 11-90	Trimplate Assembly	--	532 18 21-34	Warning Decal (not shown)
30	532 41 31-41	Axle Arm Assembly, Rear	--	532 44 46-62	Operator's Manual, European
31	532 08 78-77	Selector Knob	--	532 44 46-63	Operator's Manual, Scandinavian
32	532 40 98-89	Selector Spring	--	532 44 46-66	Operator's Manual, East Bloc
			--	532 44 46-65	Operator's Manual, Baltic

**NOTE:** All component dimensions given in U.S. inches. 1 inch = 25.4 mm. **IMPORTANT:** Use only Original Equipment Manufacturer (O.E.M.) replacement parts. Failure to do so could be hazardous, damage your lawn mower and void your warranty.

ROTARY LAWN MOWER - MODEL NUMBER **M53-625CMDWE** (96141025200) PRODUCT NO. 961 41 02-52



# ROTARY LAWN MOWER - MODEL NUMBER **M53-625CMDWE** (96141025200) PRODUCT NO. 961 41 02-52

KEY NO.	PART NO.	DESCRIPTION	KEY NO.	PART NO.	DESCRIPTION
1	532 19 46-53	Drive Control Assembly (Includes Cable)	28	532 43 26-63	Drive Cover Assembly (Includes Mounting Screw and Pushnut)
7	532 19 84-53	Bar, Drive Control	29	532 17 54-36	V-Belt
11	532 40 29-36	Wheel & Tire Assembly	33	532 40 91-48	Locknut, Hex
12	812 00 00-58	E-Ring	35	532 43 84-85	Kit, Wheel Adjuster, LH (Includes Knob and Bearing)
13	532 40 38-49	Pinion	36	532 41 52-25	Gearcase Assembly, Complete
14	532 18 94-03	Dust Cover	38	873 80 04-00	Locknut, Hex 1/4-20
15	532 40 48-45	Pawl, Drive	40	532 13 70-90	Spring
16	532 06 77-25	Washer 1/2 x 1-1/2 x .134	41	532 43 84-86	Kit, Wheel Adjuster, RH (Includes Knob and Bearing)
17	532 42 18-36	Bearing Assembly, Wheel Adjuster	54	532 40 19-05	Grassbag Assembly
18	532 08 78-77	Selector Knob	57	532 41 19-50	Frame, Grassbag
19	532 15 04-95	Spring Retainer			

**NOTE:** All component dimensions given in U.S. inches. 1 inch = 25.4 mm. **IMPORTANT:** Use only Original Equipment Manufacturer (O.E.M.) replacement parts. Failure to do so could be hazardous, damage your lawn mower and void your warranty.