

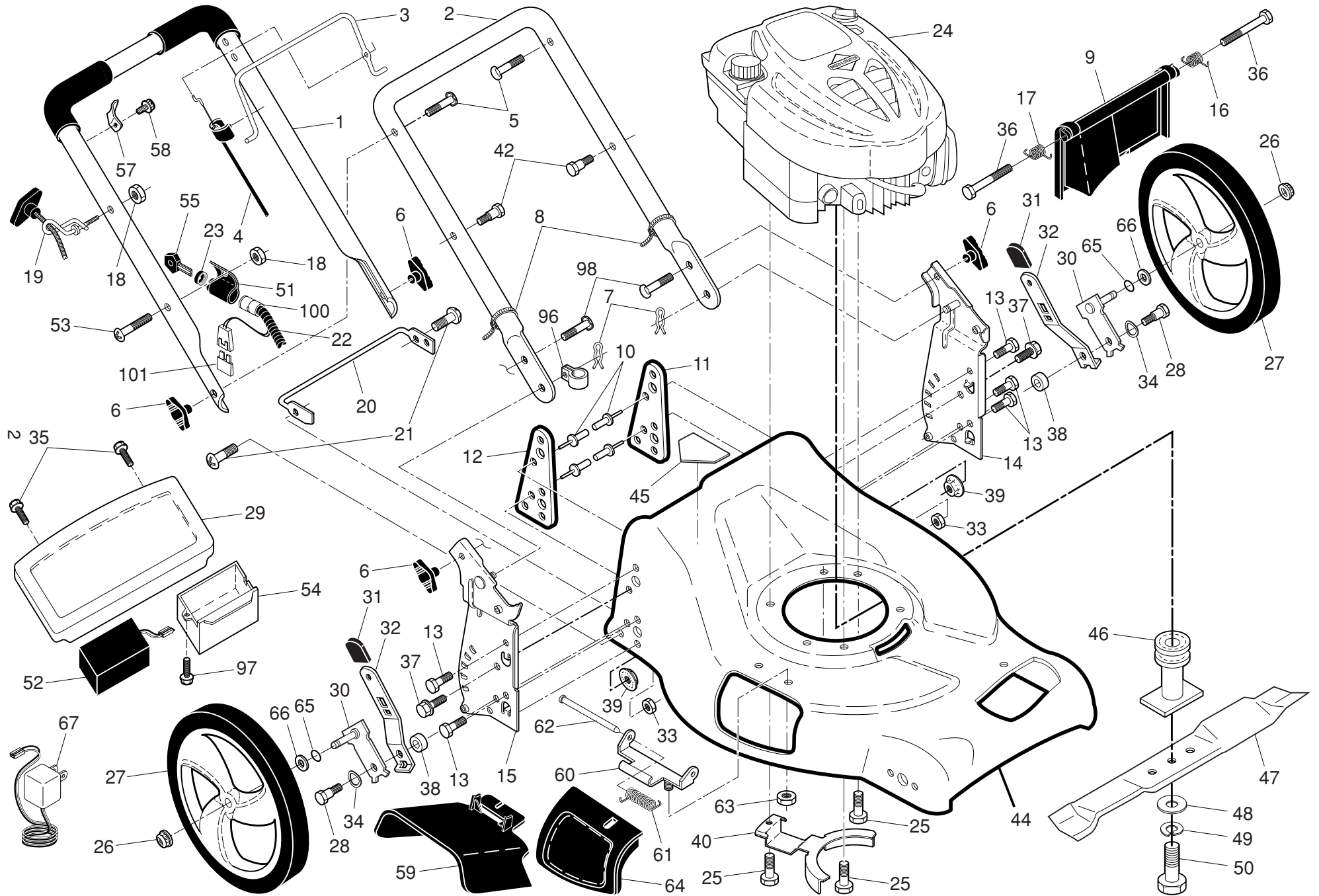
ILLUSTRATED PARTS LIST

MODEL NUMBER M53-675DWAE

PRODUCT NUMBER 961 41 02-49

MFG. ID. NUMBER 96141024900

ROTARY LAWN MOWER - MODEL NUMBER M53-675DVAE (96141024900) PRODUCT NUMBER 961 41 02-49

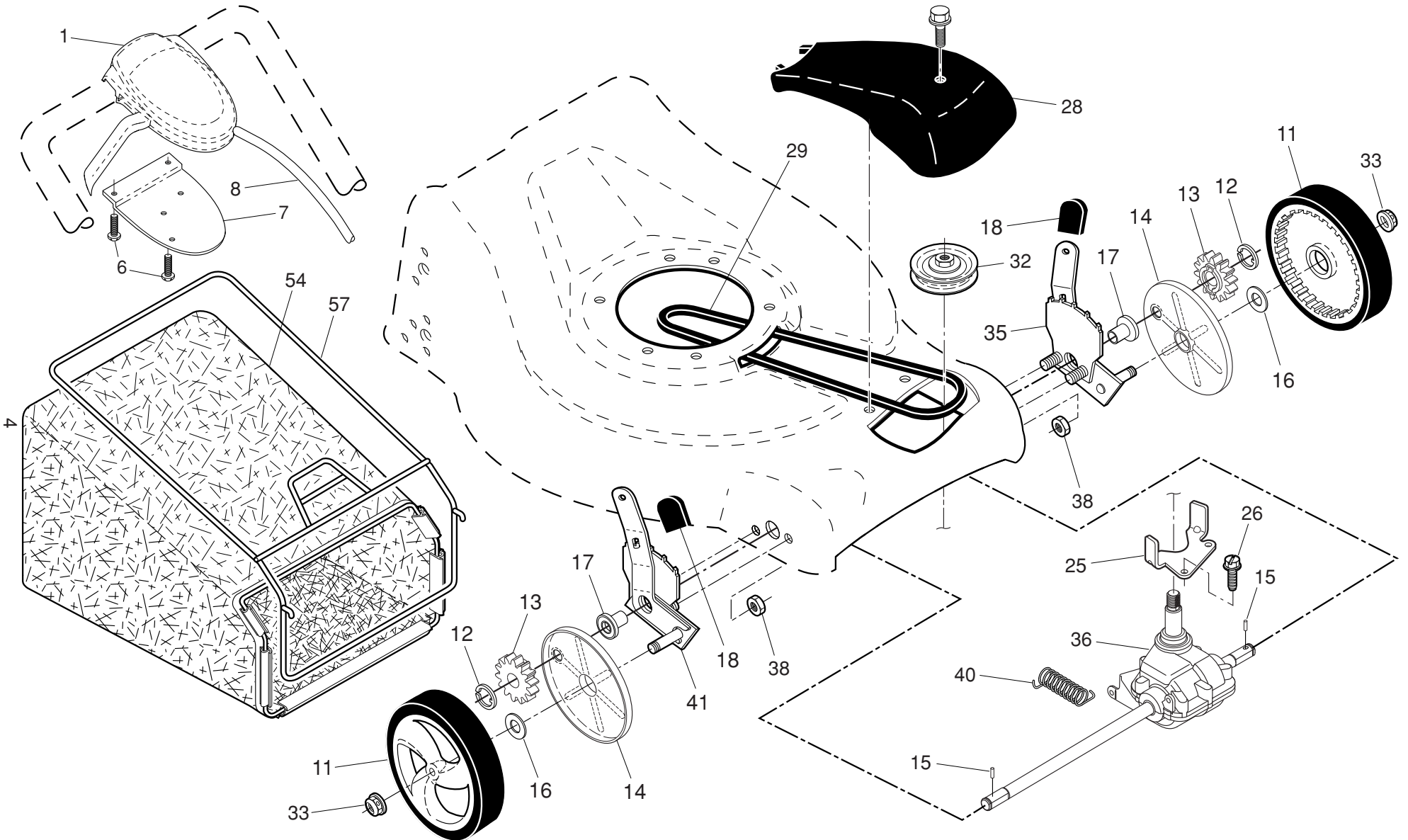


ROTARY LAWN MOWER - MODEL NUMBER M53-675DWAE (96141024900) PRODUCT NUMBER 961 41 02-49

| KEY NO. | PART NO. | DESCRIPTION | KEY NO. | PART NO. | DESCRIPTION |
|---------|--------------|---|---------|--------------|---|
| 1 | 532 18 45-76 | Upper Handle Assembly (Includes Foam Grip) | 38 | 532 40 16-29 | Spacer |
| 2 | 532 43 45-39 | Lower Handle | 39 | 532 15 53-77 | Locknut, Hex, Flanged, Serrated 5/16-18 |
| 3 | 532 42 65-05 | Control Bar | 40 | 532 43 50-59 | Belt Keeper |
| 4 | 532 41 53-50 | Cable, Engine Zone Control | 42 | 532 17 55-51 | Bolt, Shoulder |
| 5 | 532 19 15-74 | Handle Bolt | 44 | 532 40 92-65 | Kit, Housing (Includes Key No. 10, 11, 12 and 45) |
| 6 | 532 19 19-38 | Handle Knob | 45 | 532 18 21-66 | Danger Decal |
| 7 | 532 05 17-93 | Hairpin Cotter | 46 | 532 43 22-79 | Blade Adapter / Pulley |
| 8 | 532 06 64-26 | Wire Tie | 47 | 532 19 93-77 | Blade, 21" |
| 9 | 532 40 69-85 | Rear Door Assembly | 48 | 532 85 10-74 | Hardened Washer |
| 10 | 532 12 84-15 | Pop Rivet | 49 | 532 85 02-63 | Helical Washer 3/8-24 x 1-3/8 Grade 8 |
| 11 | 532 41 05-40 | Support Bracket, LH | 50 | 532 85 10-84 | Hex Head Machine Screw 3/8-24 x 1-3/8 Grade 8 |
| 12 | 532 41 05-42 | Support Bracket, RH | 51 | 532 19 48-47 | Housing, Key Start Switch |
| 13 | 817 06 04-10 | Screw 1/4-20 x 5/8 | 52 | 532 18 95-89 | Battery |
| 14 | 532 43 45-13 | Handle Bracket Assembly, LH | 53 | 532 18 61-59 | Screw |
| 15 | 532 43 45-12 | Handle Bracket Assembly, RH | 54 | 532 18 62-37 | Box, Battery |
| 16 | 532 40 54-17 | Spring, Rear Door, LH | 55 | 532 18 03-31 | Key |
| 17 | 532 40 54-18 | Spring, Rear Door, RH | 57 | 532 43 00-34 | Bracket, Upstop |
| 18 | 532 13 20-04 | Keps Locknut 1/4-20 | 58 | 532 17 88-48 | Screw, Hex Washer Head #10-16 x 5/8 |
| 19 | 532 19 47-88 | Rope Guide | 59 | 532 17 50-71 | Discharge Deflector |
| 20 | 532 43 61-19 | Foot Guard | 60 | 532 17 57-35 | Hinge Bracket |
| 21 | 817 49 04-16 | Hinge Screw 1/4-20 x 1-1/4 | 61 | 532 19 30-00 | Hinge Spring |
| 22 | 532 40 95-67 | Wiring Harness | 62 | 532 17 56-50 | Hinge Rod |
| 23 | 532 19 48-48 | Nut, Cap | 63 | 873 80 04-00 | Nut, Hex |
| 24 | - - - | Engine, Briggs & Stratton, Model Number 126T05-1624-H1 (order parts from engine manufacturer) | 64 | 532 17 50-66 | Mulcher Door |
| 25 | 532 15 04-06 | Hex Head Thread Rolling Screw 3/8-16 x 1-1/8 | 65 | 532 19 74-80 | O-Ring |
| 26 | 532 40 91-49 | Hex Flange Nut | 66 | 532 08 83-48 | Washer, Flat |
| 27 | 532 43 27-49 | Wheel & Tire Assembly | 67 | 532 19 24-36 | Charger, Battery |
| 28 | 532 40 16-38 | Shoulder Bolt 5/16-18 x .33 | 96 | 532 19 79-91 | Clip, Cable |
| 29 | 532 41 11-90 | Trimplate | 97 | 817 41 13-08 | Screw |
| 30 | 532 41 31-41 | Axle Arm Assembly, Rear | 98 | 872 25 05-05 | Bolt, Carriage |
| 31 | 532 08 78-77 | Selector Knob | 100 | 532 18 96-86 | Key Start Switch Assembly |
| 32 | 532 40 98-89 | Selector Spring | 101 | 532 42 59-37 | Fuse |
| 33 | 873 80 05-00 | Nut, Hex | -- | 532 18 21-91 | Warning Decal (not shown) |
| 34 | 532 40 16-30 | Washer, Curved, Cylindrical | -- | 532 18 21-34 | Warning Decal, Self-Propelled (not shown) |
| 35 | 532 14 18-41 | Screw | -- | 532 44 46-57 | Operator's Manual, European |
| 36 | 532 18 41-93 | Bolt | -- | 532 44 46-59 | Operator's Manual, Scandinavian |
| 37 | 874 78 05-12 | Screw | -- | 532 44 46-58 | Operator's Manual, East Bloc |
| | | | -- | 532 44 46-60 | Operator's Manual, Baltic |

NOTE: All component dimensions given in U.S. inches. 1 inch = 25.4 mm. **IMPORTANT:** Use only Original Equipment Manufacturer (O.E.M.) replacement parts. Failure to do so could be hazardous, damage your lawn mower and void your warranty.

ROTARY LAWN MOWER - MODEL NUMBER M53-675DWAE (96141024900) PRODUCT NUMBER 961 41 02-49



ROTARY LAWN MOWER - MODEL NUMBER M53-675DWAE (96141024900) PRODUCT NUMBER 961 41 02-49

| KEY NO. | PART NO. | DESCRIPTION | KEY NO. | PART NO. | DESCRIPTION |
|---------|--------------|--|---------|--------------|---|
| 1 | 532 42 49-23 | Drive Control Assembly (Includes Cable) | 26 | 532 16 34-09 | Screw, Hi-Lo Thread #12 x 5/8 |
| 6 | 532 18 16-98 | Screw #8 x .62 | 28 | 532 43 26-63 | Drive Cover Assembly (Includes Mounting Screw and Pushnut) |
| 7 | 532 40 07-23 | Mounting Bracket, Drive Control | 29 | 532 19 41-49 | V-Belt |
| 8 | 532 40 62-59 | Cable, Drive Control | 32 | 532 44 32-62 | Pulley, Drive |
| 11 | 532 40 29-36 | Wheel & Tire Assembly | 33 | 532 40 91-48 | Locknut, Hex |
| 12 | 812 00 00-58 | E-Ring | 35 | 532 43 84-85 | Kit, Wheel Adjuster, LH (Includes Knob and Bearing) |
| 13 | 532 40 38-49 | Pinion | 36 | 532 40 48-33 | Gear Case Assembly, Complete |
| 14 | 532 18 94-03 | Dust Cover | 38 | 873 80 04-00 | Locknut, Hex 1/4-20 |
| 15 | 532 40 48-45 | Pawl, Drive | 40 | 532 40 65-58 | Spring |
| 16 | 532 06 77-25 | Washer 1/2 x 1-1/2 x .134 | 41 | 532 43 84-86 | Kit, Wheel Adjuster, RH (Includes Knob and Bearing) |
| 17 | 532 42 18-36 | Bearing, Wheel Adjuster | 54 | 532 19 48-53 | Grassbag Assembly |
| 18 | 532 08 78-77 | Selector Knob | 57 | 532 41 19-50 | Frame, Grassbag |
| 25 | 532 43 17-11 | Belt Keeper | | | |

5

NOTE: All component dimensions given in U.S. inches. 1 inch = 25.4 mm. **IMPORTANT:** Use only Original Equipment Manufacturer (O.E.M.) replacement parts. Failure to do so could be hazardous, damage your lawn mower and void your warranty.