

**REPAIR PARTS MANUAL**  
**MODEL NO. M155107H (96041001005)**  
**Lawn Tractor**

---



**McCULLOCH**

[www.mcculloch.biz](http://www.mcculloch.biz)

# HOW TO USE THIS MANUAL

This manual is designed to provide the customer with a means to identify the parts on his/her tractor when ordering repair parts. The illustrations may or may not represent the actual assemblies; therefore, it is not recommended to use this manual as a guide to assemble or disassemble the tractor. Some hardware and parts are drawn larger in order to more readily identify them.

Each tractor has its own model number.

The model number for your tractor can be found on the fender under the seat.

When ordering parts, always give the following information:

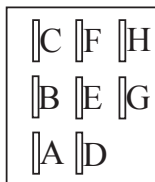
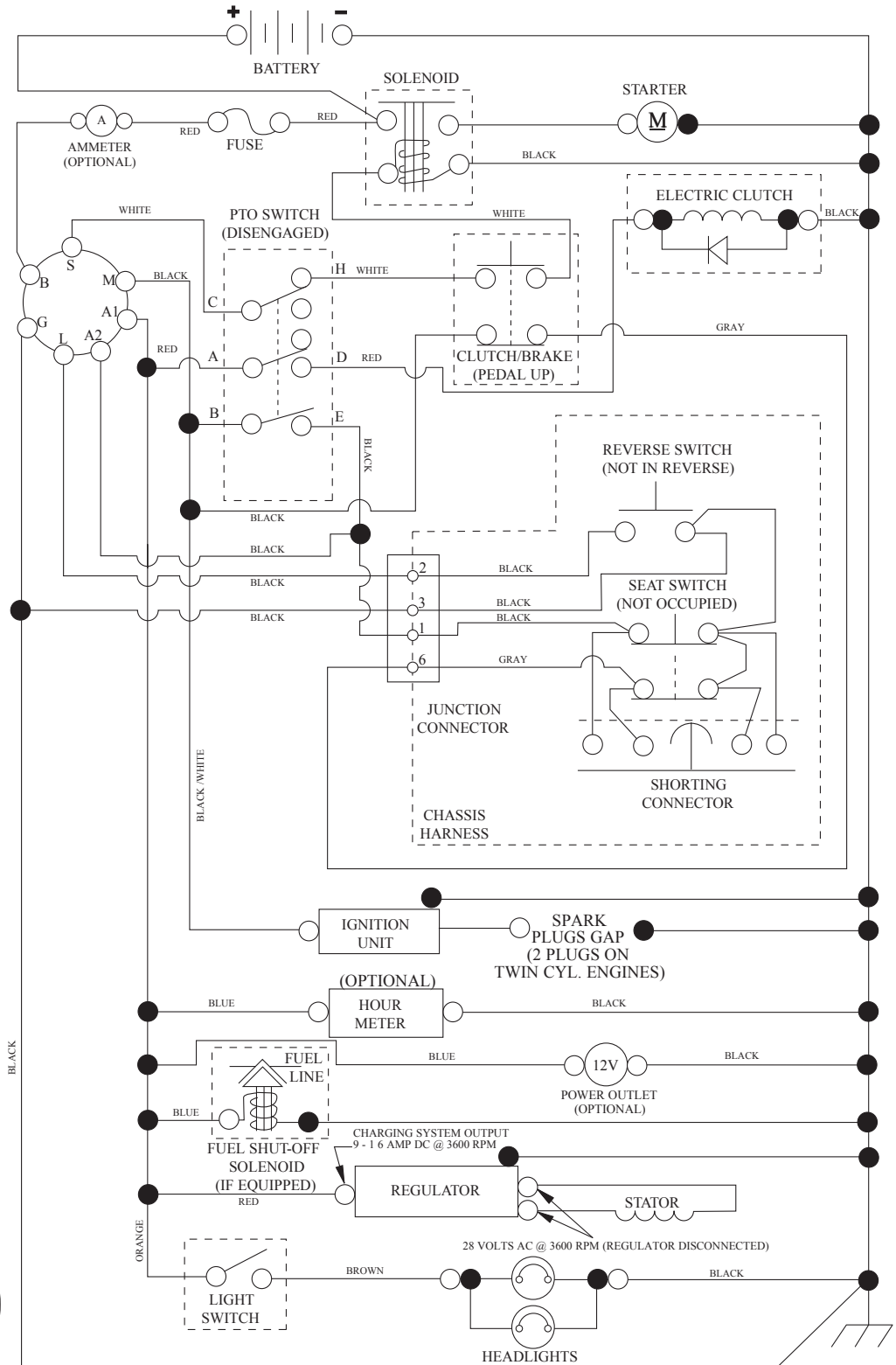
- Product - "Tractor"
- Model Number - "M155107H (96041001005)"
- Part Number
- Part Description

## TABLE OF CONTENTS

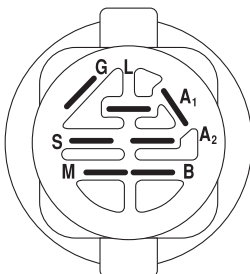
|                         |              |
|-------------------------|--------------|
| <b>SCHEMATIC .....</b>  | <b>3</b>     |
| <b>ELECTRICAL.....</b>  | <b>4-5</b>   |
| <b>CHASSIS .....</b>    | <b>6-7</b>   |
| <b>DRIVE.....</b>       | <b>8-9</b>   |
| <b>STEERING .....</b>   | <b>10-11</b> |
| <b>ENGINE.....</b>      | <b>12-13</b> |
| <b>SEAT .....</b>       | <b>14</b>    |
| <b>DECALS.....</b>      | <b>15</b>    |
| <b>MOWER DECK .....</b> | <b>16-17</b> |
| <b>MOWER LIFT.....</b>  | <b>18</b>    |

# TRACTOR - MODEL NO. M155107H (96041001005), PRODUCT NO. 960 41 00-10 SCHEMATIC

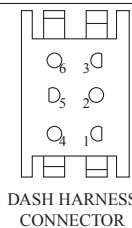
SCH12



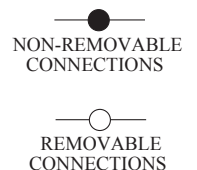
PTO SWITCH (MATING SIDE)



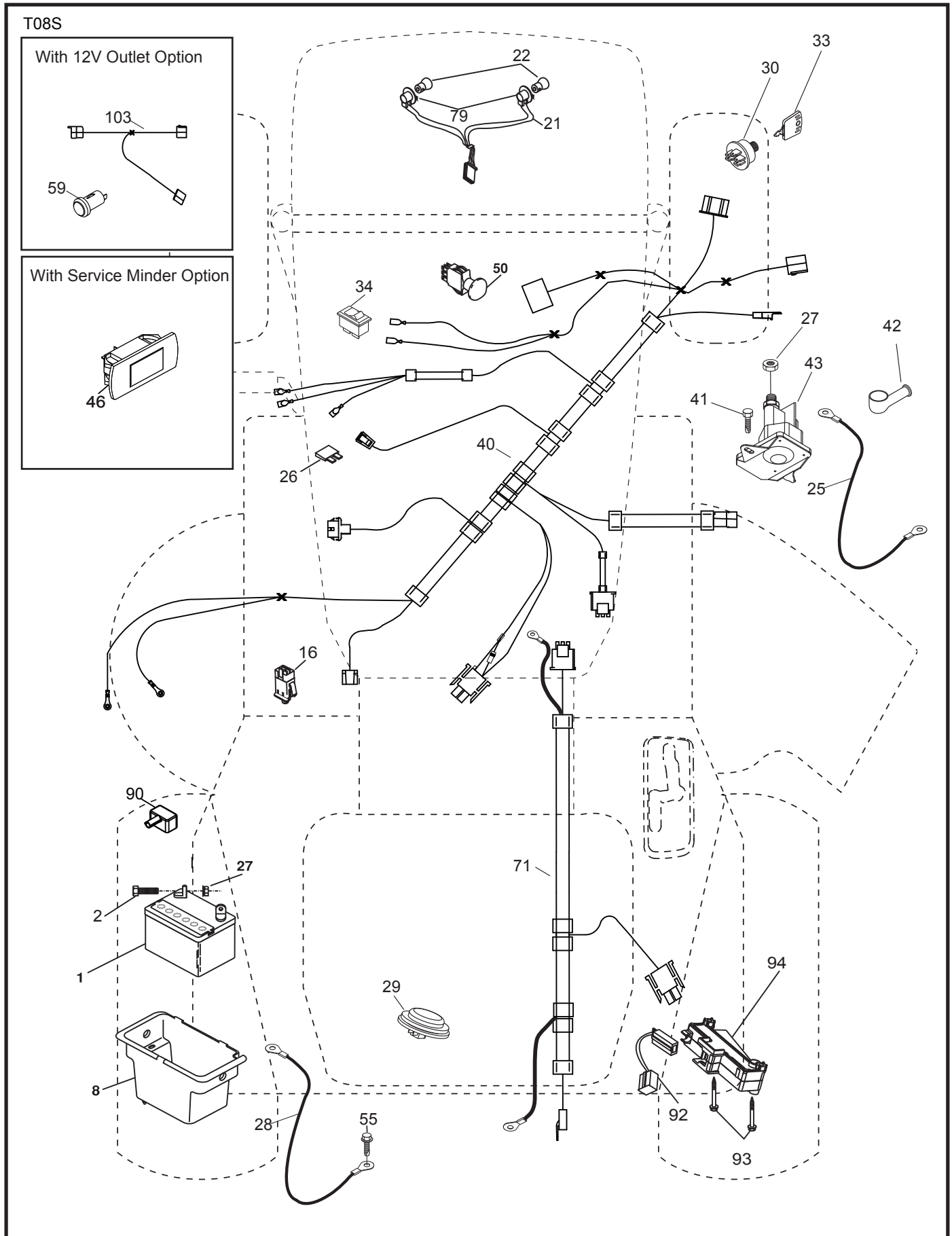
| POSITION     | CIRCUIT | "MAKE" |
|--------------|---------|--------|
| OFF          | M+G+A1  |        |
| RUN/OVERRIDE | B+A1    |        |
| RUN          | B+A1    | L+A2   |
| START        | B+S+A1  |        |



WIRING INSULATED CLIPS  
NOTE: IF WIRING INSULATED CLIPS WERE REMOVED FOR SERVICING OF UNIT, THEY SHOULD BE RE-INSTALLED TO PROPERLY SECURE YOUR WIRING.



**TRACTOR - MODEL NO. M155107H (96041001005), PRODUCT NO. 960 41 00-10  
ELECTRICAL**

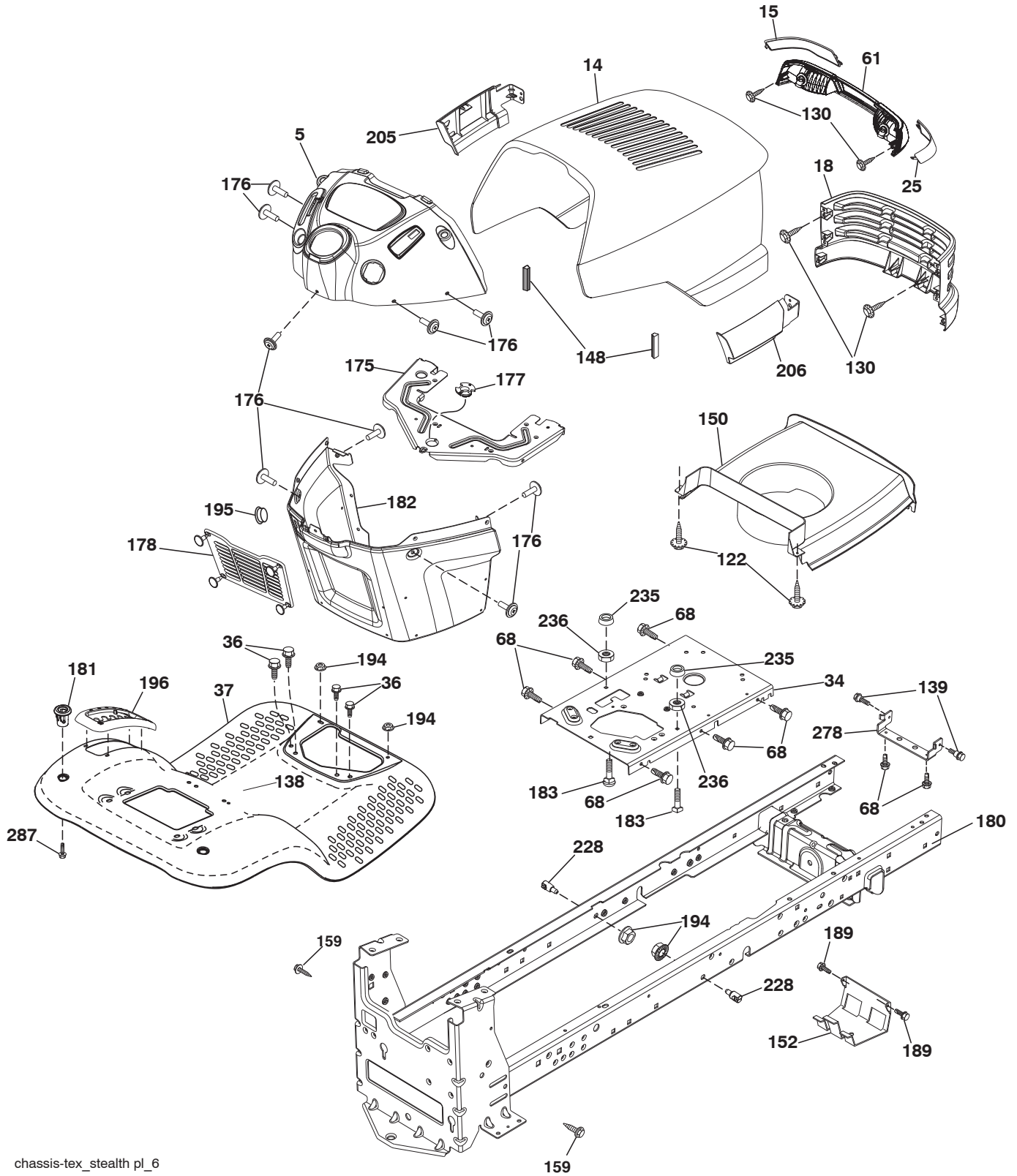


**TRACTOR - MODEL NO. M155107H (96041001005), PRODUCT NO. 960 41 00-10  
ELECTRICAL**

| <b>KEY NO.</b> | <b>PART NO.</b> | <b>DESCRIPTION</b>           |
|----------------|-----------------|------------------------------|
| 1              | 532 16 34-65    | Battery                      |
| 2              | 874 76 04-12    | Bolt Hex Hd 1/4-20 unc x 3/4 |
| 8              | 532 19 32-28    | Battery Box                  |
| 16             | 532 17 61-38    | Switch Interlock             |
| 21             | 532 17 56-88    | Harness Socket Light         |
| 22             | 532 00 41-52    | Bulb, Light #1156            |
| 25             | 532 41 28-95    | Cable Starter                |
| 26             | 532 17 51-58    | Fuse                         |
| 27             | 873 51 04-00    | Nut Keps Hex 1/4-20 unc      |
| 28             | 532 19 88-85    | Cable Ground                 |
| 29             | 532 40 15-45    | Switch Seat                  |
| 30             | 532 19 33-50    | Switch Ign                   |
| 33             | 532 41 19-35    | Key/Chain                    |
| 34             | 532 11 07-12    | Switch Light/Reset           |
| 40             | 532 40 11-04    | Harness Ign. Dash            |
| 41             | 817 72 04-08    | Screw Thd Cut 1/4-20 x 1/2   |
| 42             | 532 13 15-63    | Cover Terminal Red           |
| 43             | 532 19 25-07    | Solenoid                     |
| 50             | 532 17 46-53    | Switch PTO                   |
| 55             | 817 06 05-12    | Screw Thdrol 5/16-18 x 3/4   |
| 71             | 532 40 04-49    | Harness Chassis              |
| 79             | 532 17 52-42    | Socket Asm. Bulb             |
| 90             | 532 43 53-95    | Cover Terminal Battery       |
| 92             | 532 19 66-15    | Harness Pigtail Console ROS  |
| 93             | 532 19 25-40    | Screw Plastite 10-14 x 2.0   |
| 94             | 532 19 18-34    | Module Reverse ROS           |

**NOTE:** All component dimensions given in U.S. inches  
1 inch = 25.4 mm

**TRACTOR - MODEL NO. M155107H (96041001005), PRODUCT NO. 960 41 00-10  
CHASSIS**



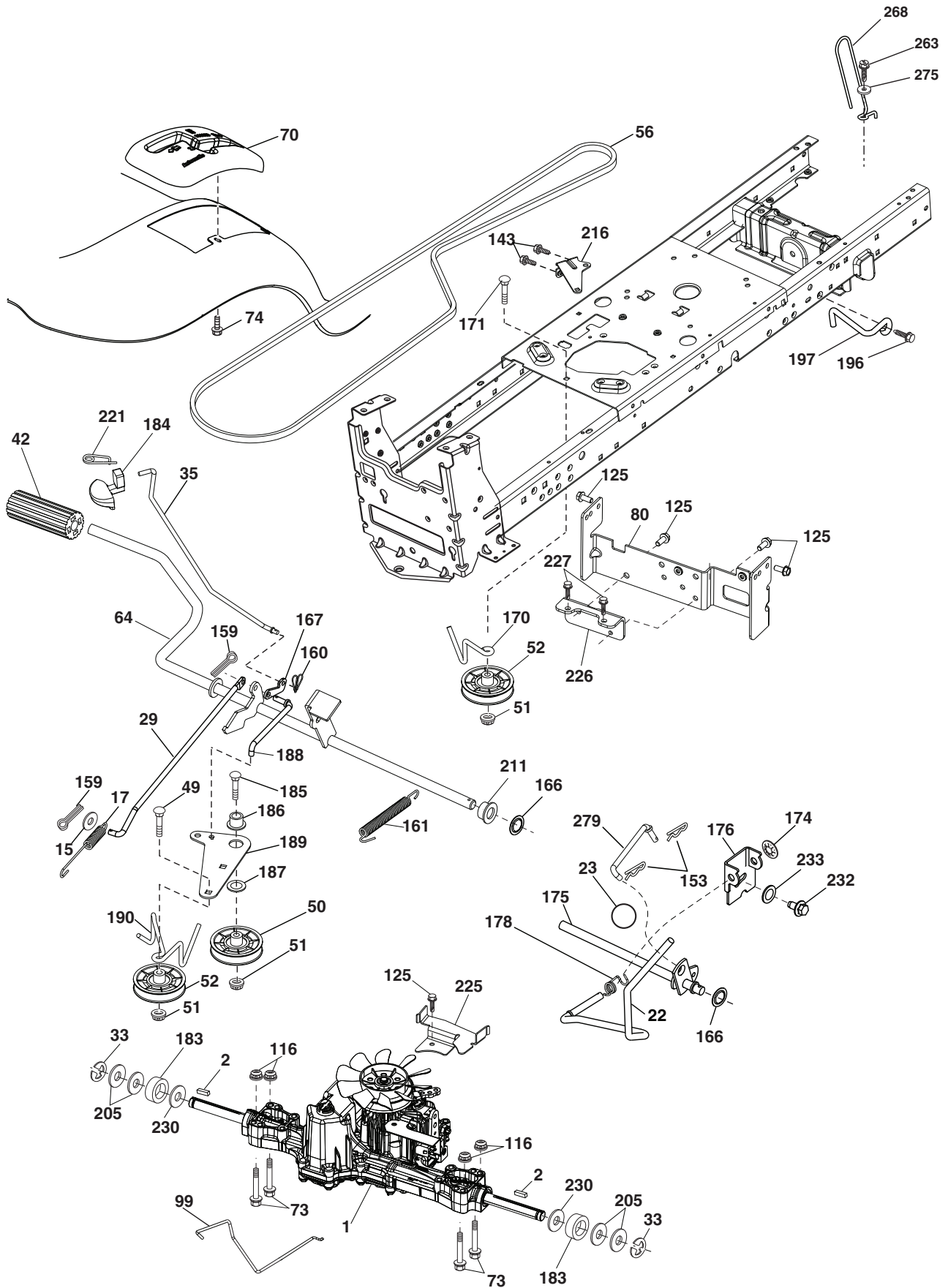
chassis-tex\_stealth pl\_6

**TRACTOR - MODEL NO. M155107H (96041001005), PRODUCT NO. 960 41 00-10  
CHASSIS**

| <b>KEY NO.</b> | <b>PART NO.</b> | <b>DESCRIPTION</b>               |
|----------------|-----------------|----------------------------------|
| 5              | 532 41 14-10    | Dash                             |
| 14             | 532 19 49-77    | Hood                             |
| 15             | 532 16 18-41    | Lens LH                          |
| 18             | 532 18 71-14    | Grille                           |
| 25             | 532 16 18-42    | Lens RH                          |
| 34             | 532 19 61-25    | Plate Engine                     |
| 36             | 817 06 05-12    | Screw 5/16-18 x 3/4              |
| 37             | 532 42 41-80    | Fender                           |
| 61             | 532 43 86-86    | Light Asm Dual                   |
| 68             | 817 49 05-08    | Screw THDROL 5/16-18 x 1/2 TYTT  |
| 122            | 532 19 25-12    | Screw 10-32 x 5/8                |
| 130            | 532 41 63-58    | Screw #10 x .750 BOS Thread      |
| 139            | 532 17 18-73    | Bolt Shoulder 5/16-18            |
| 148            | 532 16 46-55    | Bumper Extrusion                 |
| 150            | 532 19 03-08    | Air Duct                         |
| 152            | 532 19 95-35    | Shield Browning                  |
| 159            | 817 00 06-12    | Screw 3/8-16 x 3/4               |
| 175            | 532 19 32-36    | Crossmember                      |
| 176            | 532 40 07-76    | Screw 10-24 x 5/8                |
| 177            | 532 19 52-27    | Bushing Steering                 |
| 178            | 532 19 56-51    | Cargo Net Asm.                   |
| 180            | 532 19 54-57    | Chassis                          |
| 181            | 532 40 47-96    | Bushing Mtg. Fender Crgo         |
| 182            | 532 19 25-51    | Dash Lower                       |
| 183            | 874 52 05-20    | Bolt Fin Hex 5/16-18 unc x 1-1/4 |
| 189            | 817 00 05-12    | Screw 5/16-18 x 3/4              |
| 194            | 873 90 05-00    | Nut Lock Hex Flange 5/16-18      |
| 195            | 532 40 41-37    | Plug Hole Dash Lower             |
| 196            | 532 41 45-81    | Console Asm. Deck Lift           |
| 205            | 532 18 71-12    | Skirt Hood Side LH               |
| 206            | 532 18 71-11    | Skirt Hood Side RH               |
| 228            | 532 19 51-61    | Stud Fastner                     |
| 235            | 532 40 61-29    | Spacer Fender                    |
| 236            | 873 93 05-00    | Nut Lock 5/16-18 unc             |
| 278            | 532 19 63-94    | Bracket Hood/Muff                |
| 287            | 817 60 04-06    | Screw Hex 1/4-20 x 3/8           |
| --             | 532 41 17-08    | Plug Dash                        |
| --             | 532 41 14-11    | Plug Cruise Control              |

**NOTE:** All component dimensions given in U.S. inches  
1 inch = 25.4 mm

**TRACTOR - MODEL NO. M155107H (96041001005), PRODUCT NO. 960 41 00-10  
DRIVE**



drive-tex\_K46\_fender\_21\_r1

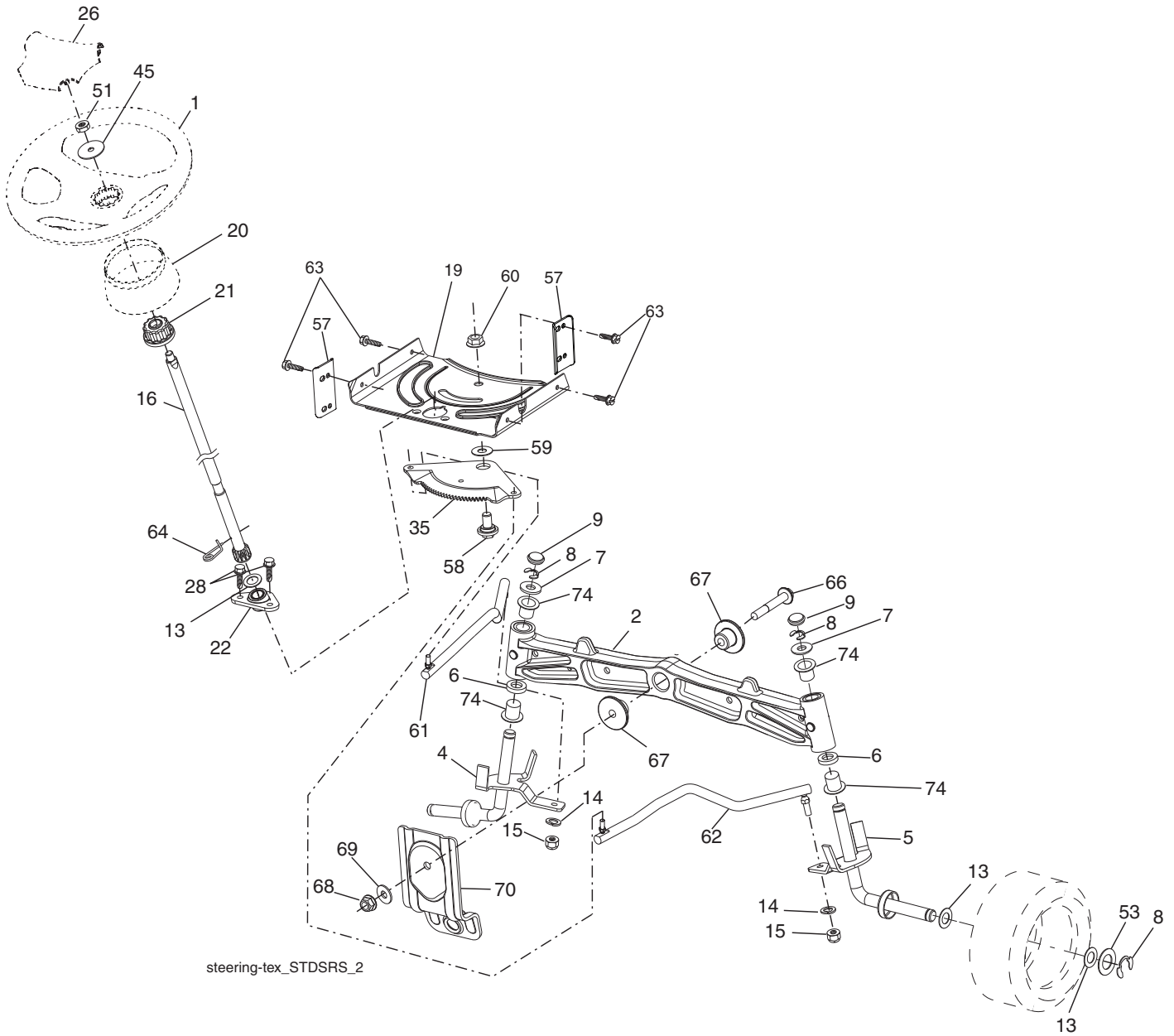


**TRACTOR - MODEL NO. M155107H (96041001005), PRODUCT NO. 960 41 00-10  
DRIVE**

| KEY NO. | PART NO.     | DESCRIPTION  | KEY NO. | PART NO.     | DESCRIPTION                   |
|---------|--------------|--|---------|--------------|-------------------------------|
| 1       | -----        | Transaxle, TUFFTORQ K46<br>(Order parts from transaxle manufacturer) | 174     | 532 19 72-89 | Nut Push                      |
| 2       | 532 12 35-83 | Key  | 175     | 532 40 62-08 | Shaft Asm Shift               |
| 15      | 819 13 13-16 | Washer 13/32 x 13/16 x 16 Ga.  | 176     | 532 19 62-14 | Arm Clevis Rod Shift          |
| 17      | 532 41 36-78 | Spring, Brake  | 178     | 532 19 74-56 | Spring Shift                  |
| 22      | 532 19 76-60 | Rod Shift  | 183     | 532 13 70-57 | Spacer Split                  |
| 23      | 532 41 14-00 | Knob   | 184     | 532 41 17-16 | Handle Parking Brake          |
| 29      | 532 40 38-06 | Rod, Brake   | 185     | 872 11 06-22 | Bolt Rdhd Sqnk 3/8-16 x 2-3/4 |
| 33      | 812 00 00-01 | Ring E   | 186     | 532 19 43-21 | Spacer Retainer               |
| 35      | 532 19 72-75 | Rod, Brake, Park   | 187     | 819 13 32-10 | Washer                        |
| 42      | 532 12 48-72 | Cover, Foot Pedal  | 188     | 532 19 43-23 | Link Clutch Ground Drive      |
| 49      | 872 11 06-14 | Bolt   | 189     | 532 19 43-17 | Bellcrank Ground Drive        |
| 50      | 532 19 43-27 | Pulley Idler Flat  | 190     | 532 19 43-18 | Keeper Bellcrank Ground Drive |
| 51      | 873 90 06-00 | Lock Nut 3/8-16  | 196     | 817 00 06-16 | Screw 3/8-16 x 1              |
| 52      | 532 19 43-26 | Idler V-Groove 910" Offset   | 197     | 532 19 58-04 | Bracket Clutch Anti-Rotation  |
| 56      | 532 13 09-69 | V-Belt, Drive  | 205     | 532 12 17-48 | Washer                        |
| 64      | 532 19 62-00 | Shaft Asm. Pedal Brake Control                                       | 211     | 532 19 62-12 | Bushing Brake Shaft           |
| 70      | 532 41 13-29 | Console  | 216     | 532 19 61-31 | Bracket Pulley Idler          |
| 73      | 874 49 05-40 | Bolt Hex Flghd 5/16-18 2 1/2 G5                                      | 221     | 532 40 31-87 | Retainer Spring Clip Handle   |
| 74      | 532 14 24-32 | Screw 1/4 x 1/2  | 225     | 532 40 33-19 | Keeper Belt Trans.            |
| 80      | 532 41 00-24 | Strap Torque   | 226     | 532 40 15-64 | Bracket Mount Touque          |
| 99      | 532 41 57-42 | Rod Bypass   | 227     | 817 49 05-12 | Screw THDROL 5/16-18 x 3/4    |
| 116     | 873 90 05-00 | Nut Lock Hex Flange 5/16-18  | 230     | 532 18 89-67 | Washer Hardened               |
| 125     | 817 00 05-12 | Screw 5/16-18 x 3/4  | 232     | 874 78 07-16 | Bolt 7/16-14 x 1 Gr. 5        |
| 143     | 817 49 05-08 | Screw Thdrol 5/16-18 x 1/2   | 233     | 532 40 52-96 | Washer Serrated               |
| 153     | 532 12 47-88 | Retainer Spring  | 263     | 817 00 06-12 | Screw 3/8-16 x 3/4            |
| 159     | 876 02 04-12 | Pin Cotter 1/8 x 3/4   | 268     | 532 18 24-02 | Guard Muffler                 |
| 160     | 532 16 94-84 | Retainer Clip  | 275     | 819 13 16-14 | Washer 13/32 x 1 x 14 Ga.     |
| 161     | 532 10 57-09 | Spring, Return, Clutch   | 279     | 532 40 62-07 | Link Shift                    |
| 166     | 532 42 91-64 | Nut Push   |         |              |                               |
| 167     | 532 40 52-57 | Latch Brake Parking  |         |              |                               |
| 170     | 532 19 43-22 | Keeper Belt Centerspan   |         |              |                               |
| 171     | 872 11 06-16 | Bolt RDHD SQNK 3/8-16 unc x 2  |         |              |                               |

NOTE: All component dimensions given in U.S. inches  
1 inch = 25.4 mm

**TRACTOR - MODEL NO. M155107H (96041001005), PRODUCT NO. 960 41 00-10**  
**STEERING ASSEMBLY**

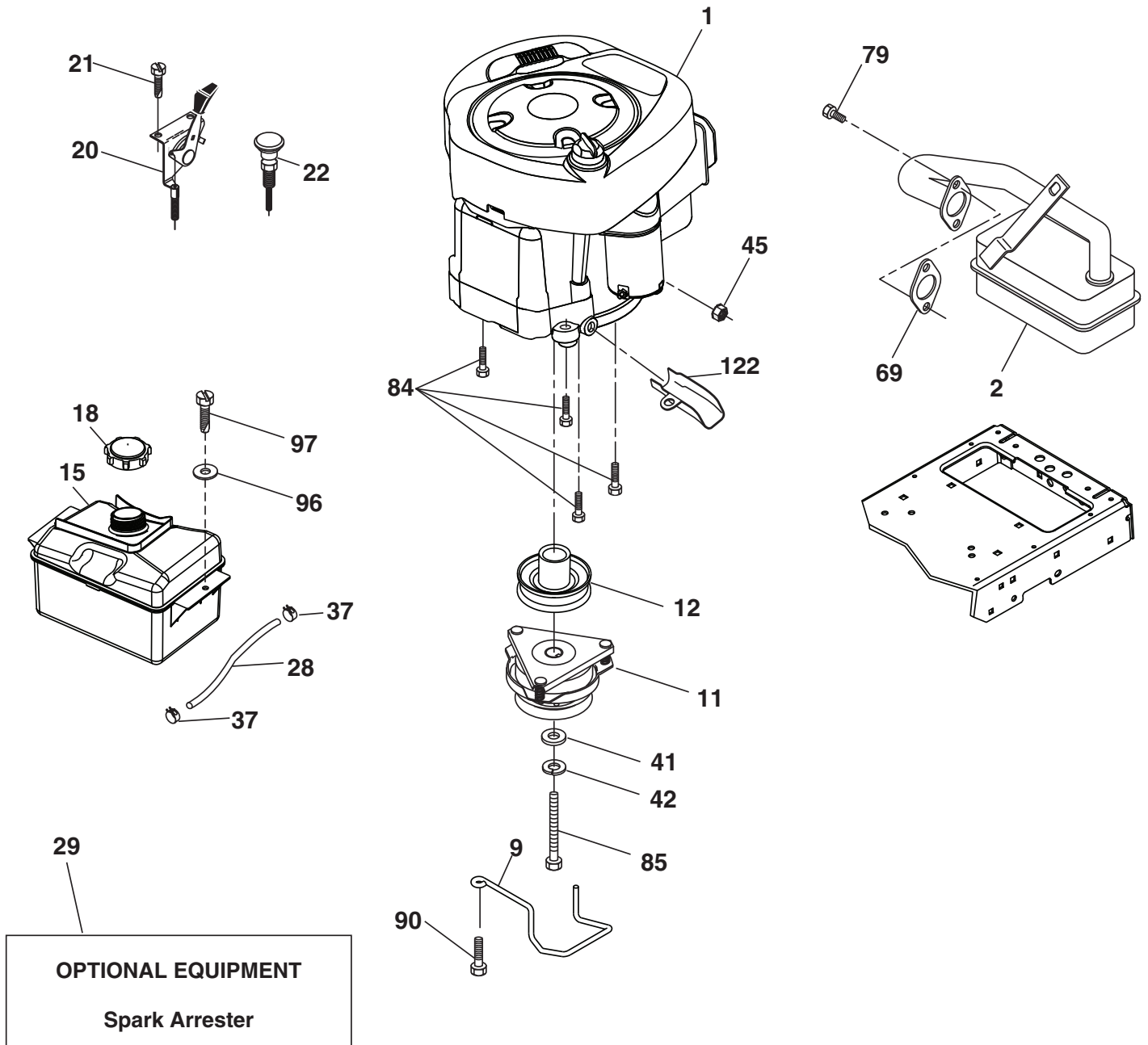


**TRACTOR - MODEL NO. M155107H (96041001005), PRODUCT NO. 960 41 00-10  
STEERING ASSEMBLY**

| <b>KEY NO.</b> | <b>PART NO.</b> | <b>DESCRIPTION</b>                  |
|----------------|-----------------|-------------------------------------|
| 1              | 532 19 46-37    | Wheel, Steering                     |
| 2              | 532 41 81-68    | Axle Asm., Front                    |
| 4              | 532 40 30-87    | Spindle Asm., LH                    |
| 5              | 532 40 30-88    | Spindle Asm., RH                    |
| 6              | 532 12 49-31    | Washer .75 x 1.230 Thrust           |
| 7              | 532 12 17-48    | Washer 25/32 x 1-5/8 x 16 Ga.       |
| 8              | 812 00 00-29    | Ring, Clip #T5304-75                |
| 9              | 532 12 12-32    | Cap, Spindle                        |
| 13             | 532 12 17-49    | Washer 25/32 x 1-1/4 x 16 Ga.       |
| 14             | 810 04 06-00    | Washer, Lock Hvy Hlcl Spr 3/8       |
| 15             | 873 54 06-00    | Nut, Crown Lock 3/8-24 unf          |
| 16             | 532 19 47-46    | Shaft Steering                      |
| 19             | 532 19 47-29    | Plate Steering                      |
| 20             | 532 41 14-25    | Boot Steering                       |
| 21             | 532 18 67-37    | Adapter, Wheel Steering             |
| 22             | 532 42 05-37    | Steering Supt. Lower                |
| 26             | 532 19 46-03    | Insert, Wheel Steering              |
| 28             | 817 00 06-12    | Screw 3/8-16 x 3/4                  |
| 35             | 532 19 47-32    | Gear, Sector Plate                  |
| 45             | 819 18 38-12    | Washer 9/16 ID x 2-3/8 OD 12 GZIN   |
| 51             | 873 94 08-00    | Nut Hex Jam Toplock 1/2-20 unf      |
| 53             | 532 18 89-67    | Washer Hardened .793 x 1.637 x .060 |
| 57             | 532 40 74-65    | Bracket Upstop                      |
| 58             | 532 19 47-47    | Bolt Shoulder Sector Pivot CFM      |
| 59             | 532 19 47-48    | Washer Thrust Sector Steering       |
| 60             | 873 97 10-00    | Nut Flange Lock 5/8-11              |
| 61             | 532 19 47-40    | Draglink, LH                        |
| 62             | 532 19 47-41    | Draglink, RH                        |
| 63             | 817 00 05-12    | Screw 5/16-18 x 3/4                 |
| 64             | 532 19 98-49    | Retainer Clip Spring Steering       |
| 66             | 871 02 07-48    | Bolt Hex Fghd 7/16-14 x 3 Serr      |
| 67             | 532 19 47-37    | Bushing PM Front Axle               |
| 68             | 873 90 07-00    | Nut Lock Flange 7/16-14 Gr. 5       |
| 69             | 532 19 91-62    | Washer 1.5 x .505 x .118            |
| 70             | 532 19 61-97    | Bracket Deck Susp. Front            |
| 74             | 532 12 49-37    | Bearing                             |

**NOTE:** All component dimensions given in U.S. inches  
1 inch = 25.4 mm

**TRACTOR - MODEL NO. M155107H (96041001005), PRODUCT NO. 960 41 00-10  
ENGINE**



engine-tex\_BS\_43

**TRACTOR - MODEL NO. M155107H (96041001005), PRODUCT NO. 960 41 00-10  
ENGINE**

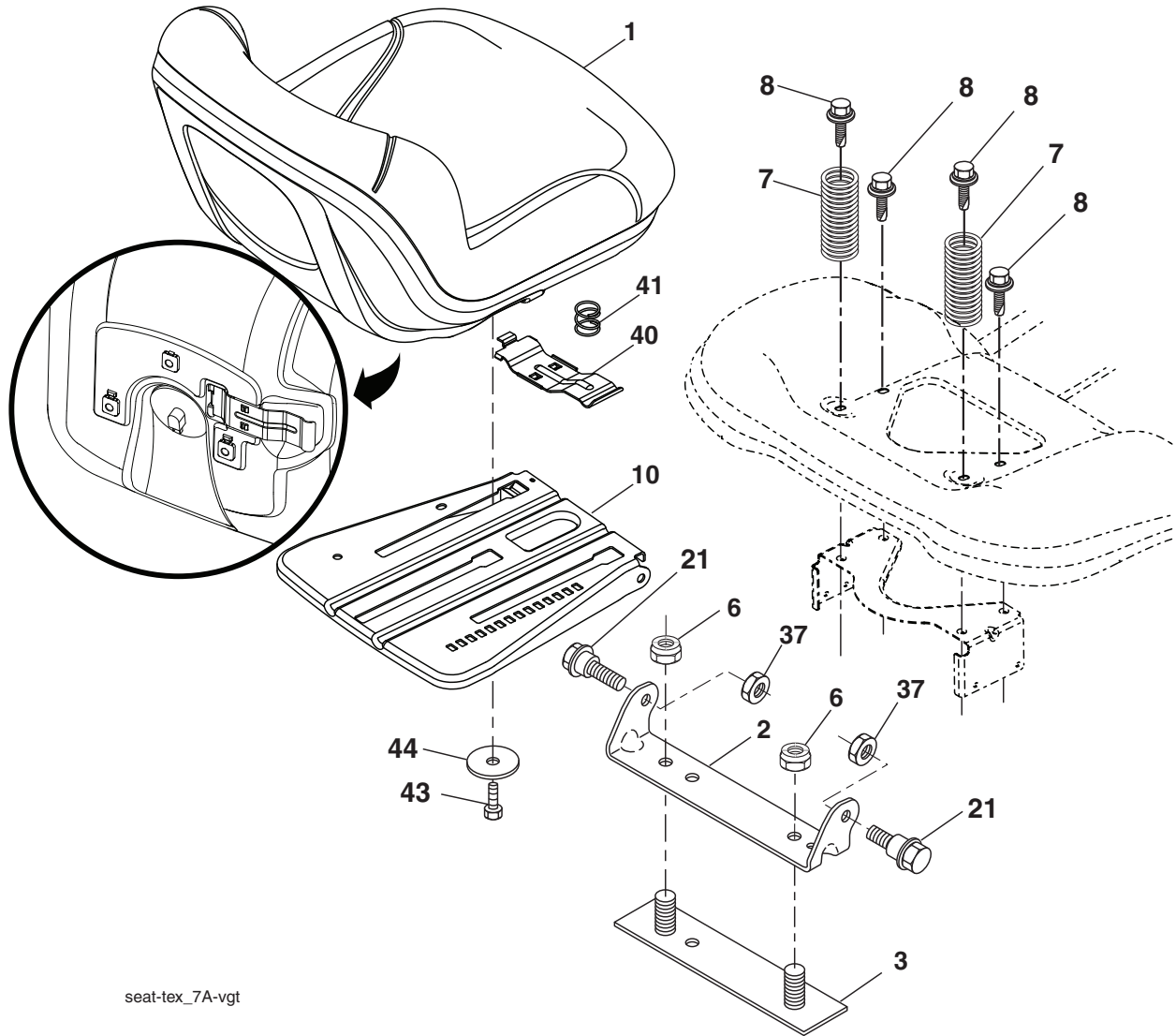
| <b>KEY NO.</b> | <b>PART NO.</b> | <b>DESCRIPTION</b>  |
|----------------|-----------------|---|
| 1              | ---             | Engine Briggs Model No. 31A607-2432-B1 (438621)(Order parts from engine manufacturer) |
| 2              | 532 13 73-52    | Muffler   |
| 9              | 532 19 43-20    | Keeper Belt Engine  |
| 11             | 532 18 05-05    | Clutch Electric   |
| 12             | 532 40 50-97    | Pulley Engine   |
| 15             | 532 40 75-16    | Tank Fuel   |
| 18             | 532 43 02-20    | Cap Asm   |
| 20             | 532 41 17-24    | Control Throttle  |
| 21             | 532 41 63-58    | Screw #10 x .750 BOS Thread   |
| 22             | 53241 17-25     | Control Choke   |
| 28             | 532 13 70-40    | Fuel Line   |
| 29             | 532 13 71-80    | Spark Arrester Kit  |
| 37             | 532 12 34-87    | Clamp Hose  |
| 41             | 532 12 61-97    | Washer 1-1/2 OD x 15/32 ID x .250   |
| 42             | 810 04 07-00    | Washer Lock 7/16  |
| 45             | 873 51 04-00    | Nut Keps Hex 1/4-20 unc   |
| 69             | 532 16 52-91    | Gasket  |
| 79             | 532 19 23-34    | Screw 5/16-18 x .75   |
| 84             | 817 06 06-20    | Screw 3/8-16 x 1-1/4  |
| 85             | 532 17 39-37    | Bolt 7/16-20 x 4  |
| 90             | 817 00 06-16    | Screw 3/8-16 x 1  |
| 96             | 819 09 14-16    | Washer 9/32 x 7/8 x 16 Ga.  |
| 97             | 817 67 04-12    | Screw 1/4 - 20 x 3/4  |
| 122            | 532 42 19-22    | Extension Drain Oil   |

**NOTE:** All component dimensions given in U.S. inches  
1 inch = 25.4 mm

**Engine Power Rating Information**

The gross power rating for individual gas engine models is labeled in accordance with SAE (Society of Automotive Engineers) code J1940 (Small Engine Power & Torque Rating Procedure), and rating performance has been obtained and corrected in accordance with SAE J1995 (Revision 2002-05). Torque values are derived at 3060 RPM; horsepower values are derived at 3600 RPM. Actual gross engine power will be lower and is affected by, among other things, ambient operating conditions and engine-to-engine variability. Given both the wide array of products on which engines are placed and the variety of environmental issues applicable to operating the equipment, the gas engine will not develop the rated gross power when used in a given piece of power equipment (actual "on-site" or net power). This difference is due to a variety of factors including, but not limited to, accessories (air cleaner, exhaust, charging, cooling, carburetor, fuel pump, etc.), application limitations, ambient operating conditions (temperature, humidity, altitude), and engine-to-engine variability. Due to manufacturing and capacity limitations, Briggs & Stratton may substitute an engine of higher rated power for this Series engine.

**TRACTOR - MODEL NO. M155107H (96041001005), PRODUCT NO. 960 41 00-10  
SEAT ASSEMBLY**



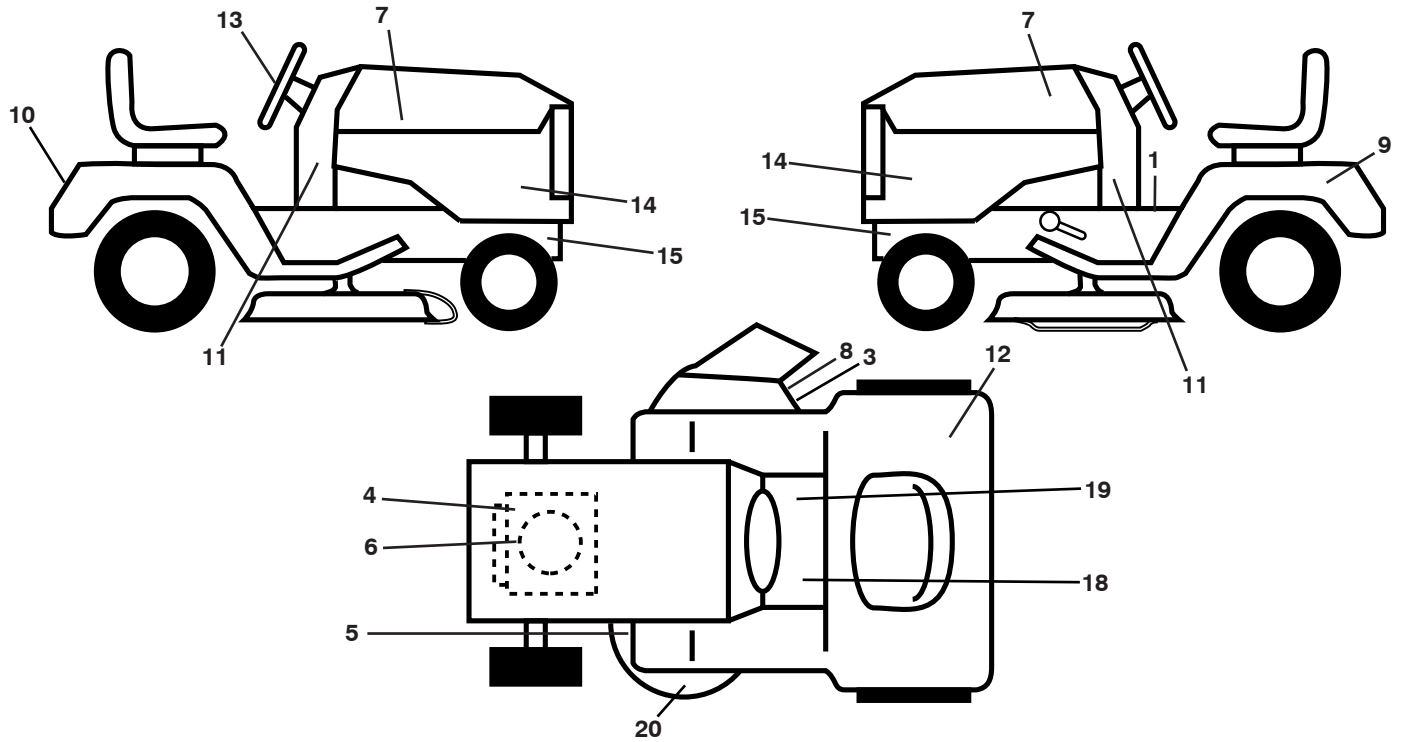
seat-tex\_7A-vgt

| KEY NO. | PART NO.     | DESCRIPTION                   |
|---------|--------------|-------------------------------|
| 1       | 532 19 75-11 | Seat                          |
| 2       | 532 18 01-66 | Bracket Pivot Fender          |
| 3       | 532 14 06-75 | Strap, Asm Fender             |
| 6       | 873 80 06-00 | Nut, Lock w/Ins. 3/8-16 unc   |
| 7       | 532 12 41-81 | Spring, Seat Cprsn            |
| 8       | 532 17 18-77 | Bolt 5/16-18 unc x 3/4 w/Sems |
| 10      | 532 19 69-77 | Pan, Seat                     |
| 21      | 532 17 18-52 | Bolt, Shoulder 5/16-18        |

| KEY NO. | PART NO.     | DESCRIPTION                   |
|---------|--------------|-------------------------------|
| 37      | 873 80 05-00 | Nut, Lock 5/16-18 unc         |
| 40      | 532 19 76-61 | Handle Slide Seat             |
| 41      | 532 19 82-00 | Spring Latch Seat             |
| 43      | 874 76 06-12 | Bolt 3/8-16 x 3/4             |
| 44      | 819 13 38-12 | Washer 13/32 x 2-3/8 x 12 Ga. |

**NOTE:** All component dimensions given in U.S. inches  
1 inch = 25.4 mm

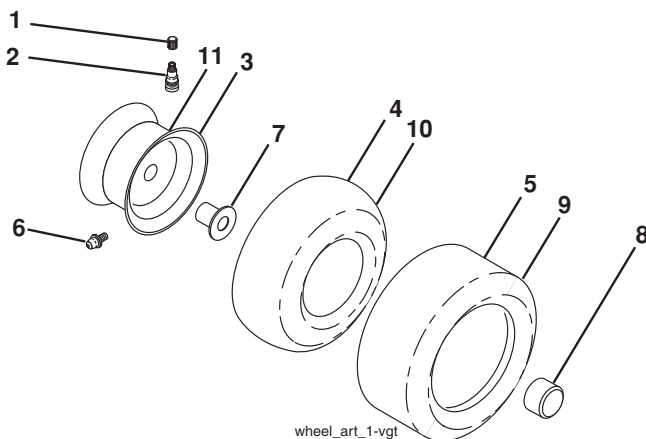
**TRACTOR - MODEL NO. M155107H (96041001005), PRODUCT NO. 960 41 00-10  
DECALS**



| KEY NO. | PART NO.     | DESCRIPTION             |
|---------|--------------|-------------------------|
| 1       | 532 40 03-89 | Decal, Warning Sym.     |
| 3       | 532 19 63-57 | Decal, Warning          |
| 4       | 532 19 68-41 | Decal, Warning Engine   |
| 5       | 532 16 03-96 | Decal, V-Belt Sch.      |
| 6       | 532 43 74-13 | Decal, Eng. HP          |
| 7       | 532 43 80-20 | Decal, Hood LH/RH       |
| 8       | 532 18 21-66 | Decal, Cutfinger        |
| 9       | 532 14 50-05 | Decal, Battery Dnge/Poi |
| 10      | 532 43 78-33 | Decal, Fender           |
| 11      | 532 43 85-32 | Decal, Turbo            |
| 12      | 532 18 04-32 | Decal, Fender DB/CE     |
| 13      | 532 44 26-43 | Decal, Steering Whl     |
| 14      | 532 43 80-23 | Decal, Panel Side       |

| KEY NO. | PART NO.     | DESCRIPTION                 |
|---------|--------------|-----------------------------|
| 15      | 532 15 97-36 | Decal, Hot Muffler          |
| 18      | 532 15 97-37 | Decal, Clutch/Brake         |
| 19      | 532 14 08-37 | Decal, Saddle Brake Parking |
| 20      | 532 13 49-99 | Decal, Enviro               |
| --      | 532 16 69-60 | Decal, Bypass               |
| --      | 532 16 25-98 | Decal, Load Limit           |
| --      | 532 40 95-05 | Pad, Footrest, LH           |
| --      | 532 41 12-73 | Pad, Footrest, RH           |
| --      | 532 43 32-99 | Manual, Oper Euro           |
| --      | 532 43 33-00 | Manual, Oper Scan           |
| --      | 532 43 33-01 | Manual, Oper E-Bloc         |
| --      | 532 43 33-02 | Manual, Oper Baltic         |
| --      | 532 43 80-27 | Manual, Parts               |

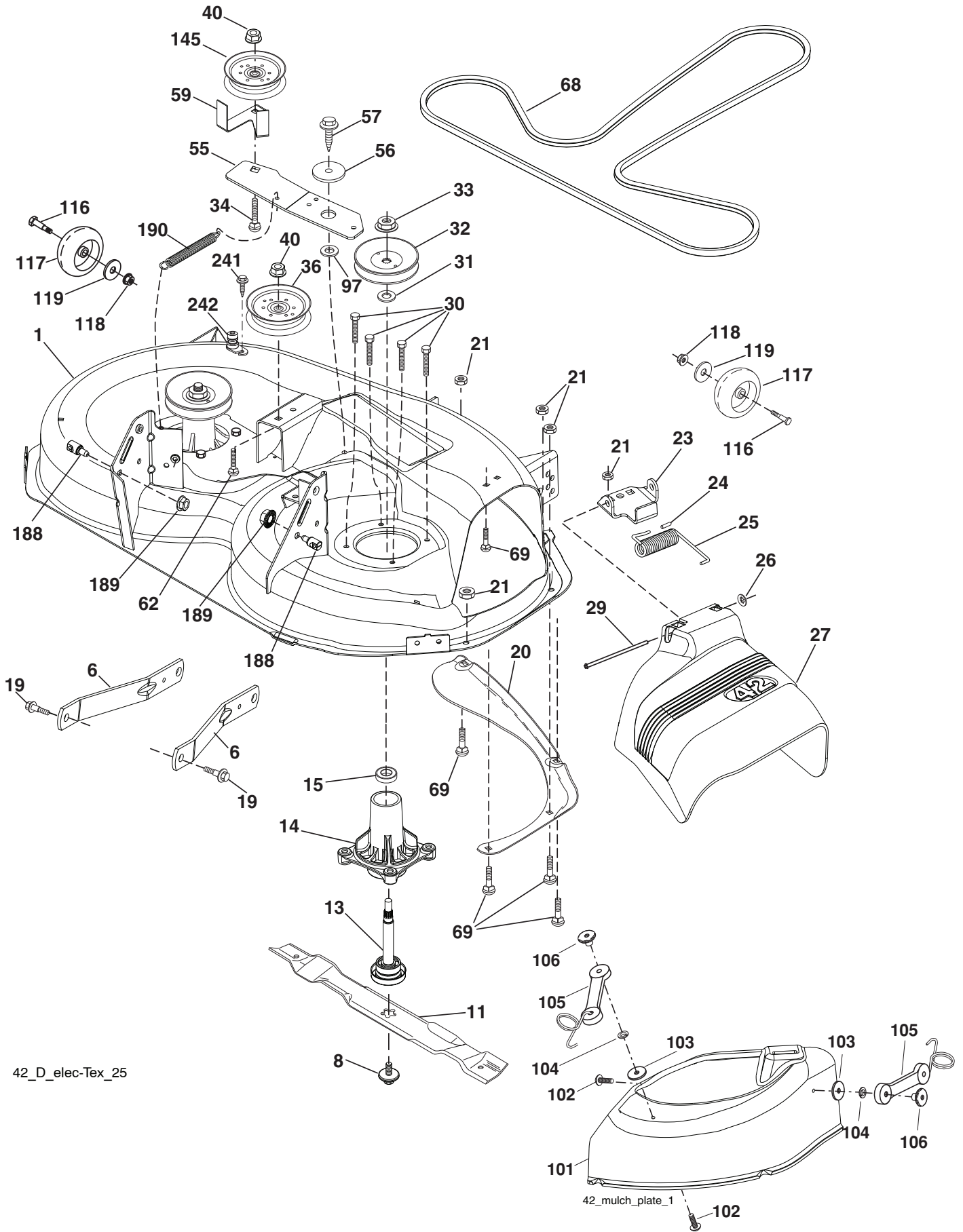
**WHEELS AND TIRES**



| KEY NO. | PART NO.     | DESCRIPTION                        |
|---------|--------------|------------------------------------|
| 1       | 532 05 91-92 | Cap, Valve, Tire                   |
| 2       | 532 06 51-39 | Stem, Valve                        |
| 3       | 532 12 51-21 | Rim Assembly, Front                |
| 4       | 532 05 99-04 | Tube, Front (Service Item Only)    |
| 5       | 532 10 62-22 | Tire, Front                        |
| 6       | 532 12 49-57 | Fitting, Grease (Front Wheel Only) |
| 7       | 532 12 49-59 | Bearing, Flange (Front Wheel Only) |
| 8       | 532 17 50-39 | Cap, Axle                          |
| 9       | 532 13 84-68 | Tire, Rear                         |
| 10      | 532 12 49-26 | Tube, Rear (Service Item Only)     |
| 11      | 532 12 51-22 | Rim Assembly, Rear                 |
| --      | 532 14 43-34 | Sealant, Tire (10 oz. Tube)        |

**NOTE:** All component dimensions given in U.S. inches  
1 inch = 25.4 mm

# TRACTOR - MODEL NO. M155107H (96041001005), PRODUCT NO. 960 41 00-10 MOWER DECK



42\_D\_elec-TeX\_25

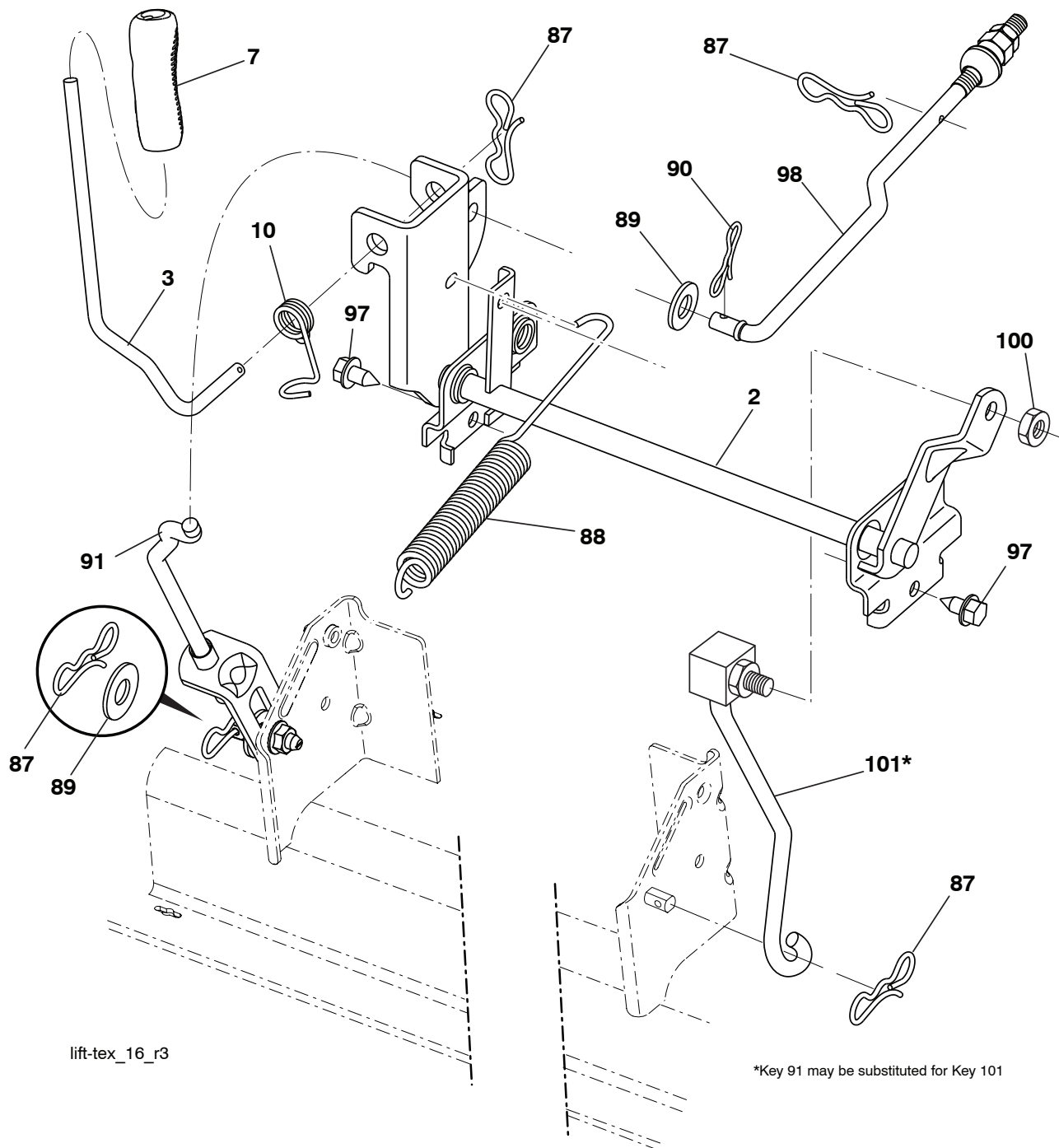


**TRACTOR - MODEL NO. M155107H (96041001005), PRODUCT NO. 960 41 00-10  
MOWER DECK**

| KEY NO. | PART NO.     | DESCRIPTION                        | KEY NO. | PART NO.     | DESCRIPTION   |
|---------|--------------|------------------------------------|---------|--------------|---|
| 1       | 532 19 64-95 | Mower Housing                      | 59      | 532 14 10-43 | Guard, Tuv Idler  |
| 6       | 532 19 51-86 | Arm Suspension                     | 62      | 872 11 06-16 | Bolt RDHD 3/8-16 unc x 2  |
| 8       | 532 19 30-03 | Bolt/Washer Asm 7/16-20 unf        | 68      | 532 14 49-59 | V-Belt  |
| 11      | 532 13 41-49 | Blade                              | 69      | 872 14 05-05 | Bolt  |
| 13      | 532 19 28-72 | Shaft Assembly, Mandrel            | 97      | 532 17 85-15 | Washer, Flat Hardened   |
| 14      | 532 18 72-81 | Housing, Mandrel                   | 101     | 532 19 31-07 | Cover Mulching  |
| 15      | 532 11 04-85 | Bearing, Ball, Mandrel             | 102     | 871 08 10-10 | Screw 10-24 x 5/8   |
| 16      | 532 17 44-93 | Stripper, Mower Deck               | 103     | 819 06 12-16 | Washer #10  |
| 19      | 532 19 65-39 | Bolt, Shoulder                     | 104     | 810 07 10-00 | Washer Lock #10   |
| 20      | 532 15 97-70 | Baffle, Vortex                     | 105     | 532 16 07-93 | Latch Asm   |
| 21      | 873 68 05-00 | Nut, Crownlock 5/16-18 unc         | 106     | 532 12 50-04 | Nut Weld  |
| 23      | 532 19 25-57 | Bracket, Deflector                 | 116     | 532 12 48-42 | Bolt, Shoulder  |
| 24      | 532 10 53-04 | Cap, Sleeve                        | 117     | 532 18 86-06 | Wheel, Gauge  |
| 25      | 532 19 70-26 | Spring, Torsion, Deflector         | 118     | 873 90 06-00 | Nut, Lock 3/8-16 unc  |
| 26      | 532 11 04-52 | Nut, Push                          | 119     | 819 12 14-14 | Washer 3/8 x 7/8 x 14 Ga.   |
| 27      | 532 40 30-04 | Shield, Deflector                  | 145     | 532 19 31-97 | Pulley, Idler, Primary  |
| 29      | 532 13 14-91 | Rod, Hinge                         | 188     | 532 19 51-61 | Stud Fastener   |
| 30      | 532 17 39-84 | Screw Thdrol Rolling Wsh Hd        | 189     | 873 90 05-00 | Nut Lock Hex Flange   |
| 31      | 532 18 76-90 | Washer, Spacer                     | 190     | 532 19 72-51 | Spring Mower Drive Electric   |
| 32      | 532 15 35-35 | Pulley, Mandrel                    | 241     | 532 15 29-27 | Screw #10-325 3/8   |
| 33      | 532 40 02-34 | Nut, Toplock, Flanged              | 242     | 532 41 55-98 | Port Washout  |
| 34      | 872 11 06-12 | Bolt Carr Sh. 3/8-16 x 1-1/2 Gr. 5 | --      | 532 19 28-70 | Mandrel Assembly (Includes housing, shaft and shaft hard ware only-pulley not included) |
| 36      | 532 19 73-79 | Pulley Idler                       | --      | 532 43 33-08 | Replacement Mower, Complete   |
| 40      | 873 90 06-00 | Nut, Lock Flg. 3/8-16 unc          |         |              |   |
| 55      | 532 43 71-10 | Arm, Idler                         |         |              |   |
| 56      | 532 19 90-92 | Spacer, Retainer                   |         |              |   |
| 57      | 817 00 06-16 | Screw 3/8-16 x 1                   |         |              |   |

**NOTE:** All component dimensions given in U.S. inches  
1 inch = 25.4 mm

**TRACTOR - MODEL NO. M155107H (96041001005), PRODUCT NO. 960 41 00-10  
MOWER LIFT**



lift-tex\_16\_r3

\*Key 91 may be substituted for Key 101

| KEY NO. | PART NO.     | DESCRIPTION                  |
|---------|--------------|------------------------------|
| 2       | 532 42 20-27 | Shaft Asm., Lift             |
| 3       | 532 19 52-31 | Lever Asm., Lift             |
| 7       | 532 41 17-42 | Grip, Lever                  |
| 10      | 532 19 63-14 | Spring Torsion               |
| 87      | 532 19 42-09 | Pin Cotter 7/16 Bow Tie Lock |
| 88      | 532 41 07-10 | Spring Lift Assist           |
| 89      | 819 19 19-12 | Washer Clear Zinc            |
| 90      | 532 19 42-08 | Pin Cotter 5/16 Bow Tie Lock |

| KEY NO. | PART NO.     | DESCRIPTION                 |
|---------|--------------|-----------------------------|
| 91      | 532 19 51-81 | Link Lift Susp Mower Rear   |
| 97      | 817 00 06-12 | Screw 3/8-16 x 3/4          |
| 98      | 532 19 52-70 | Link Lift Susp. Front Mower |
| 100     | 873 93 06-00 | Nut Centerlock 3/8-16       |
| 101     | 532 40 70-03 | Link Asm. Lift FXD          |

**NOTE:** All component dimensions given in U.S. inches  
1 inch = 25.4 mm

---

# SERVICE NOTES

---

