



---

IPL, CS 340, CS 380, 966631401, 966631402, 966631403, 966631404, 966631405,  
966631501, 966631502, 966631503, 966631504, 966631505, 966631508, 966631509, 2011-03

# CS 340

# CS 380

**Spare parts**

**Ersatzteile**

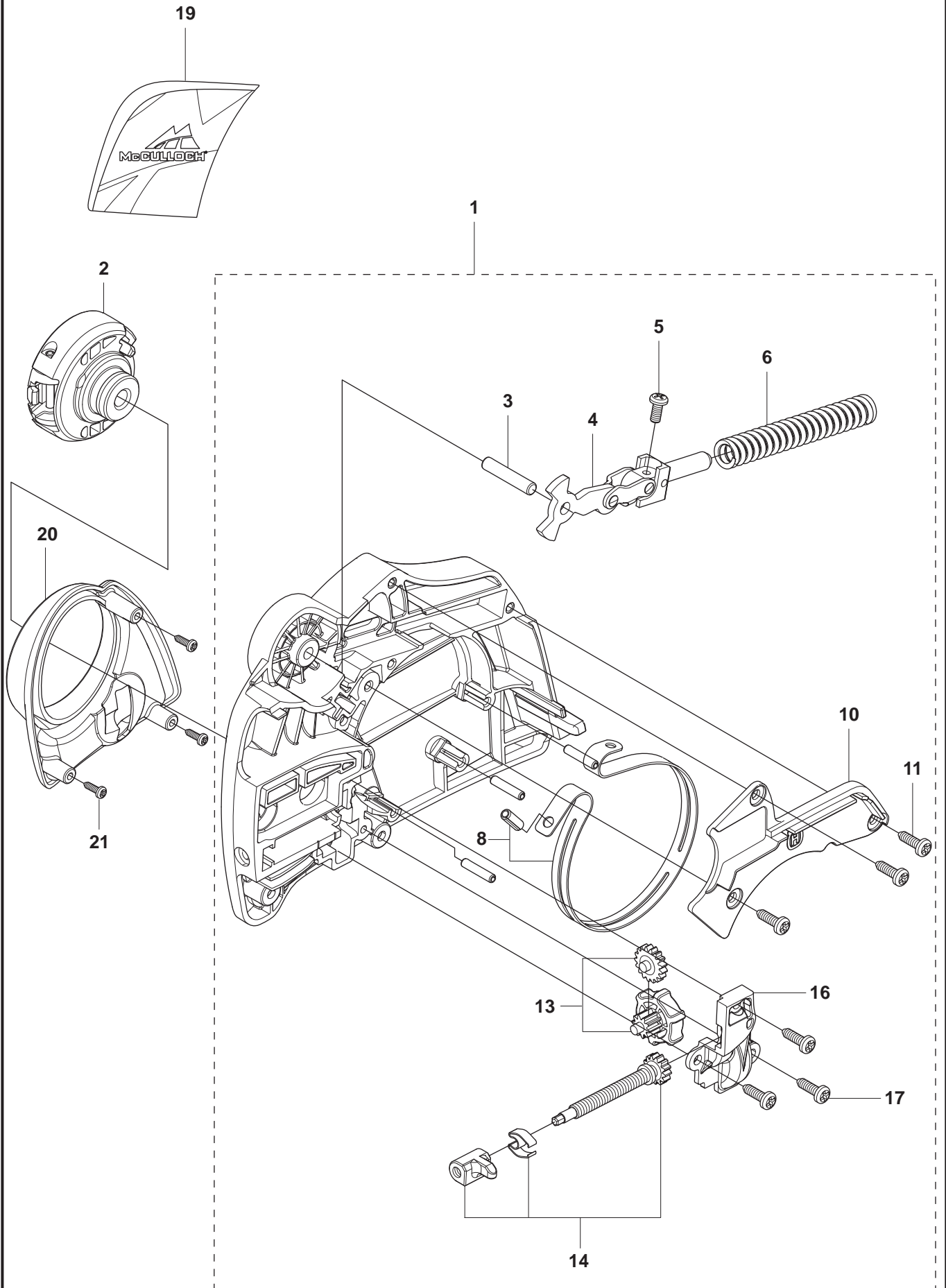
**Pièces détachées**

**Reserve onderdelen**

**Repuestos**

**Reservdelar**

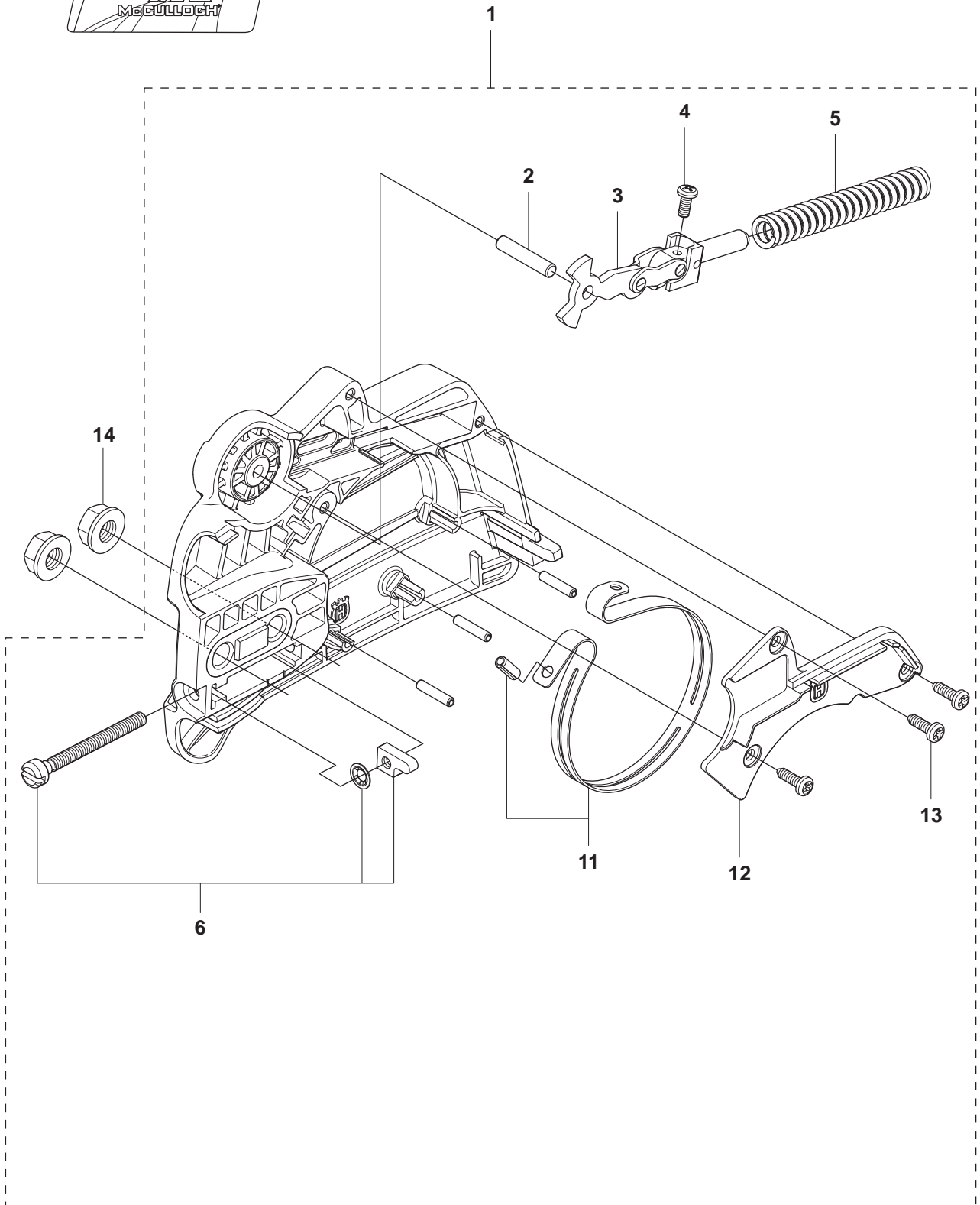
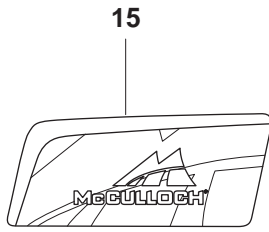
# A1 CS380 CHAIN BRAKE & CLUTCH COVER



## CHAIN BRAKE &amp; CLUTCH COVER

Position	Article	Quantity	Description	Kit
1	576 44 93-01	1	KIT, CHAIN BRAKE ASSEMBLY	
2	579 10 73-01	1	ASSEMBLY KNOB EZT	
3	530 05 79-50	1	PIN, DOWEL	1
4	530 05 79-40	1	ASSY, FRONT LINK	1
5	574 78 03-01	1	M3.63 X 1.34 X 8 TORX	1
6	530 01 64-15	1	SPRING COMPRESSION	1
8	577 83 02-01	1	KIT, BRAKE BAND	1
10	545 07 10-02	1	COVER, BRAKE BAND	1
11	545 22 71-01	3	SCREW 19 X .437 .PL. PAN.	1
13	577 83 03-01	1	KIT, GEARS	1
14	577 83 04-01	1	KIT, BAR ADJUST	1
16	545 05 92-02	1	COVER, GEAR	1
17	545 22 71-01	3	SCREW 19 X .437 .PL. PAN.	1
19	576 80 78-01	1	DECAL, EZT CLUTCH COVER	
20	576 08 23-01	1	HEAT SHIELD	
21	545 22 71-01	3	SCREW 19 X .437 .PL. PAN.	

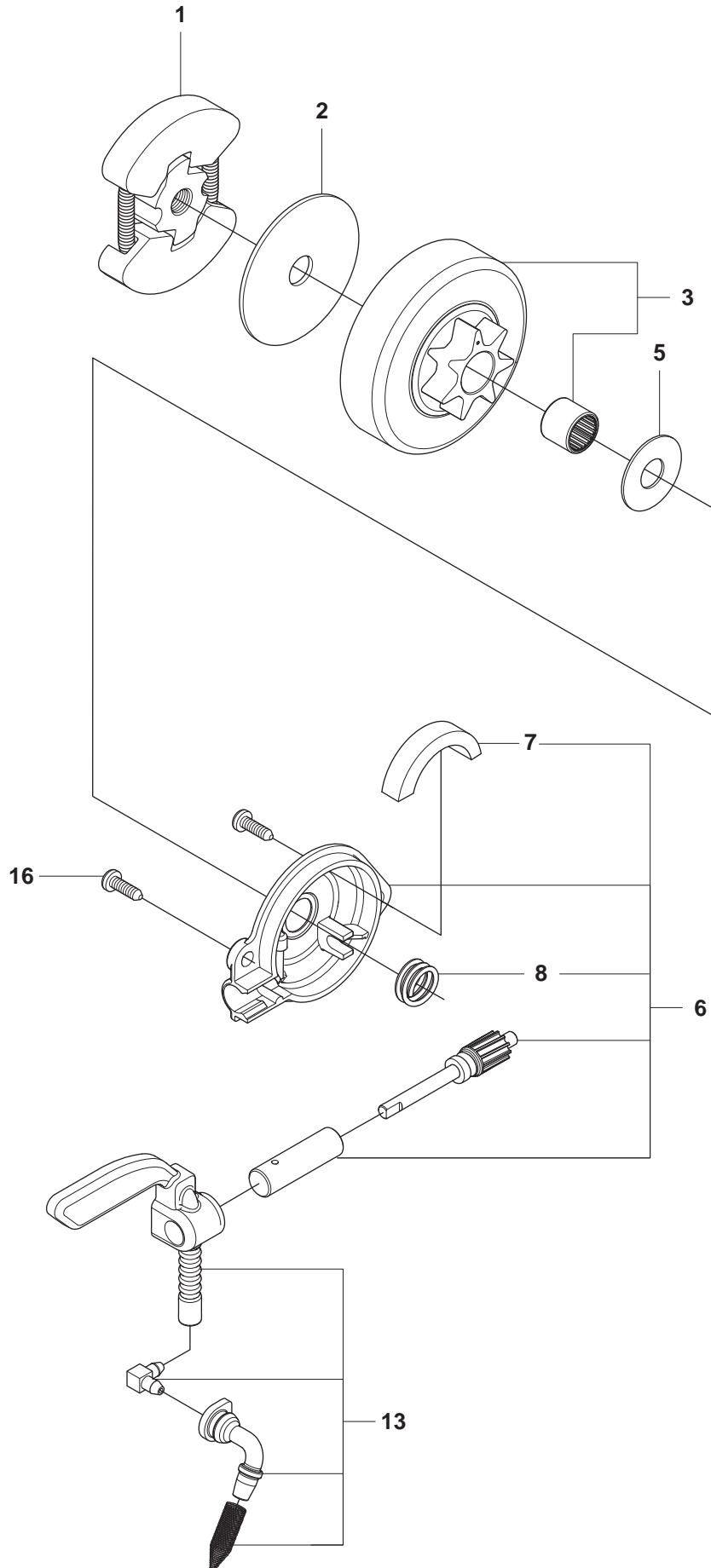
# A2 CS340 CHAIN BRAKE & CLUTCH COVER



## CHAIN BRAKE &amp; CLUTCH COVER

Position	Article	Quantity	Description	Kit
1	577 80 55-01	1	KIT, CHAIN BRAKE ASS'Y FRT ADJ	
2	530 05 79-50	1	PIN, DOWEL	1
3	530 05 79-40	1	ASSY, FRONT LINK	1
4	574 78 03-01	1	M3.63 X 1.34 X 8 TORX	1
5	530 01 64-15	1	SPRING COMPRESSION	1
6	530 06 96-11	1	KIT, BAR ADJUST	1
11	577 83 02-01	1	KIT, BRAKE BAND	1
12	545 07 10-02	1	COVER, BRAKE BAND	1
13	545 22 71-01	3	SCREW 19 X .437 .PL. PAN.	1
14	530 01 59-17	2	NUT, BAR MTG	
15	577 81 53-01	1	DECAL, CLUTCH COVER	

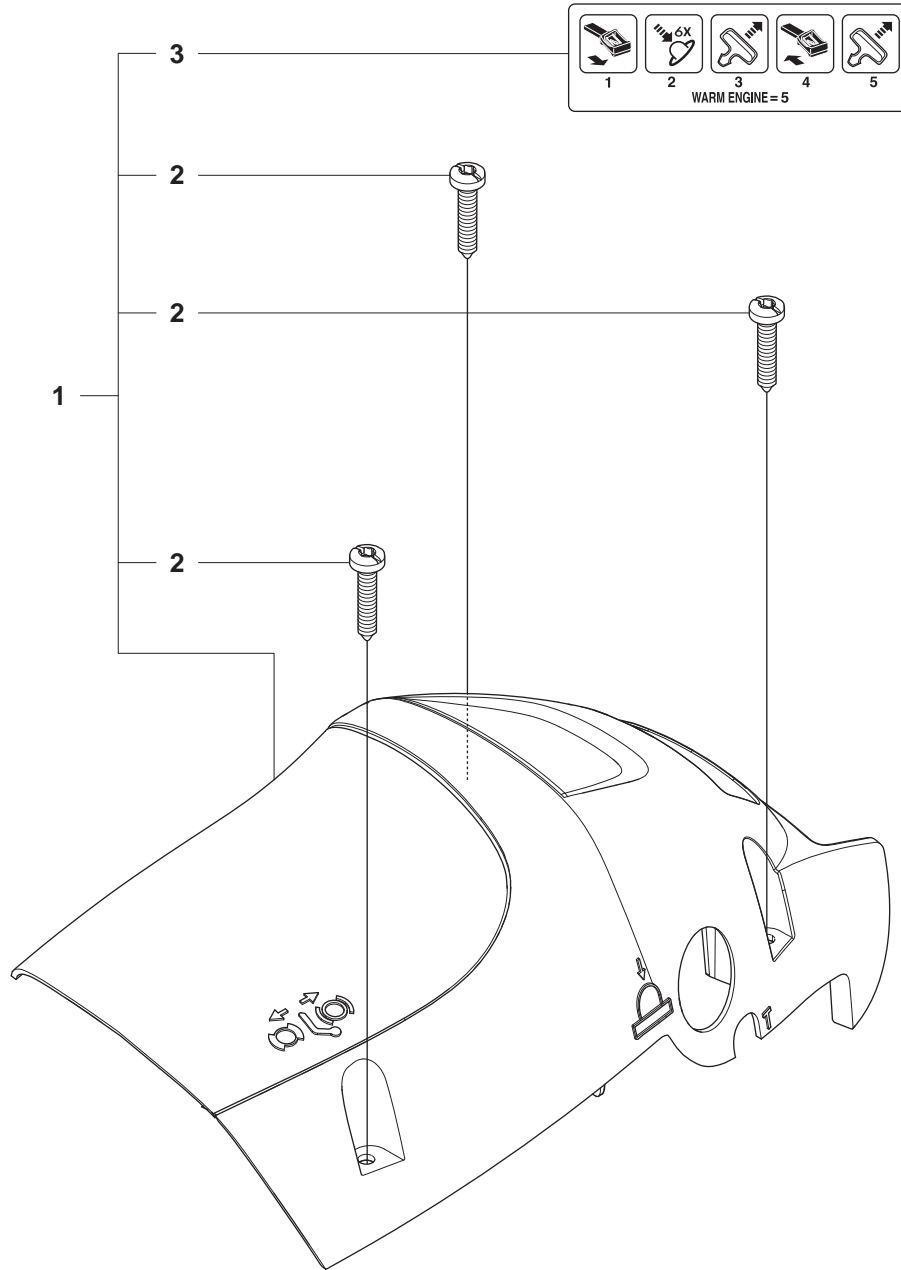
**B** CS340, CS380  
CLUTCH & OIL PUMP



**CLUTCH & OIL PUMP**

<b>Position</b>	<b>Article</b>	<b>Quantity</b>	<b>Description</b>	<b>Kit</b>
1	530 01 49-49	1	ASSY- CLUTCH	
2	530 01 56-11	1	WASHER, CLUTCH (LARGE)	
3	530 04 70-61	1	3/8-6 TOOTH DRUM ASEMBLY	
5	530 01 59-07	1	WASHER, THRUST	
6	574 71 93-01	1	ASSEMBLY OIL PUMP	
7	525 31 84-01	1	DUST SEAL	6
8	530 03 78-20	1	GEAR- WORM	6
13	577 83 05-01	1	KIT, OIL BLOCK AND PICK UP	
16	530 01 60-64	2	SCREW 19 X .437 .PL. PAN.	

**C** CS340, CS380  
CYLINDER COVER



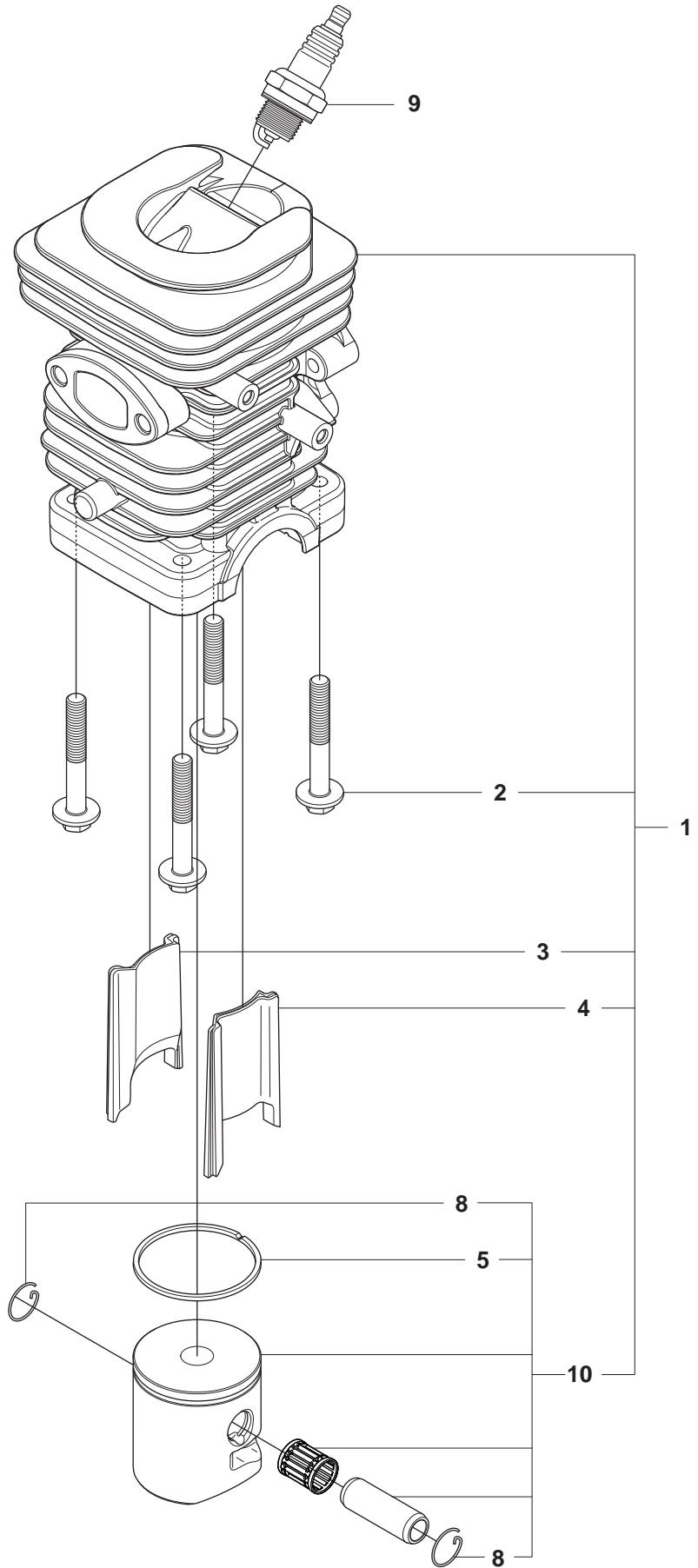


**Page C CS340  
CS380**

**CYLINDER COVER**

<b>Position</b>	<b>Article</b>	<b>Quantity</b>	<b>Description</b>	<b>Kit</b>
1	577 83 15-01	1	CS340, KIT CYLINDER SHIELD	
1	577 83 10-01	1	CS380, KIT CYLINDER SHIELD	
2	574 32 06-01	3	SCREW, CYLINDER SHIELD	1
3	576 80 77-01	1	DECAL, STARTING INSTRUCTION	1

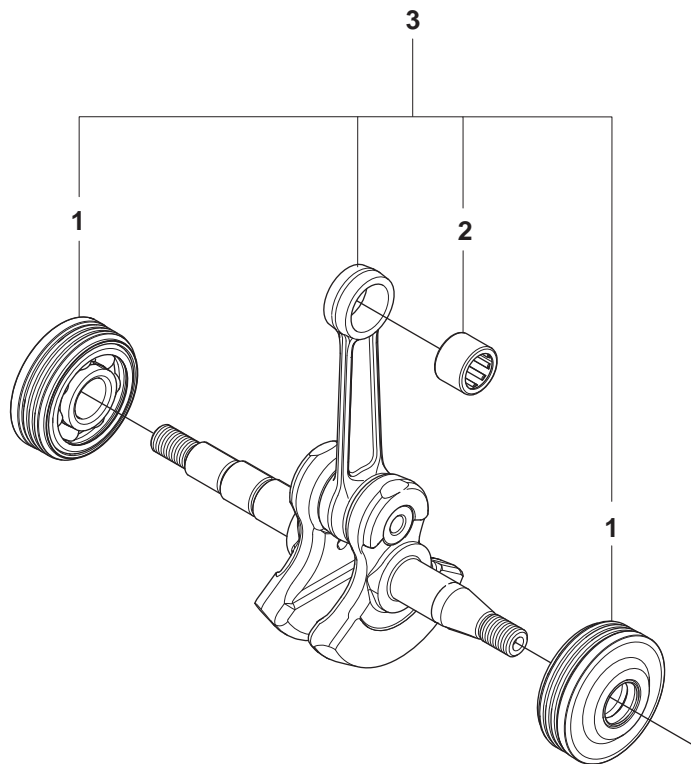
**D** CS340, CS380  
CYLINDER & PISTON



**CYLINDER & PISTON**

<b>Position</b>	<b>Article</b>	<b>Quantity</b>	<b>Description</b>	<b>Kit</b>
1	577 83 11-01	1	KIT, CYLINDER & PISTON CS340	
1	577 83 11-01	1	KIT, CYLINDER & PISTON CS380	
2	545 08 15-01	4	BOLT, CYLINDER	1
3	574 19 09-01	1	INSERT, TRANSFER LEFT	1
4	574 19 08-01	1	INSERT, TRANSFER RIGHT	1
5	530 01 26-08	1	PISTON RING	10
8	530 01 56-97	2	PISTON PIN RETAINER	10
9	503 23 51-08	1	PLUG-SPARK (RCJ-7Y)	
10	577 83 13-01	1	KIT, PISTON CS340	1
10	577 83 13-01	1	KIT, PISTON CS380	1

**E** CS340, CS380  
CRANK SHAFT

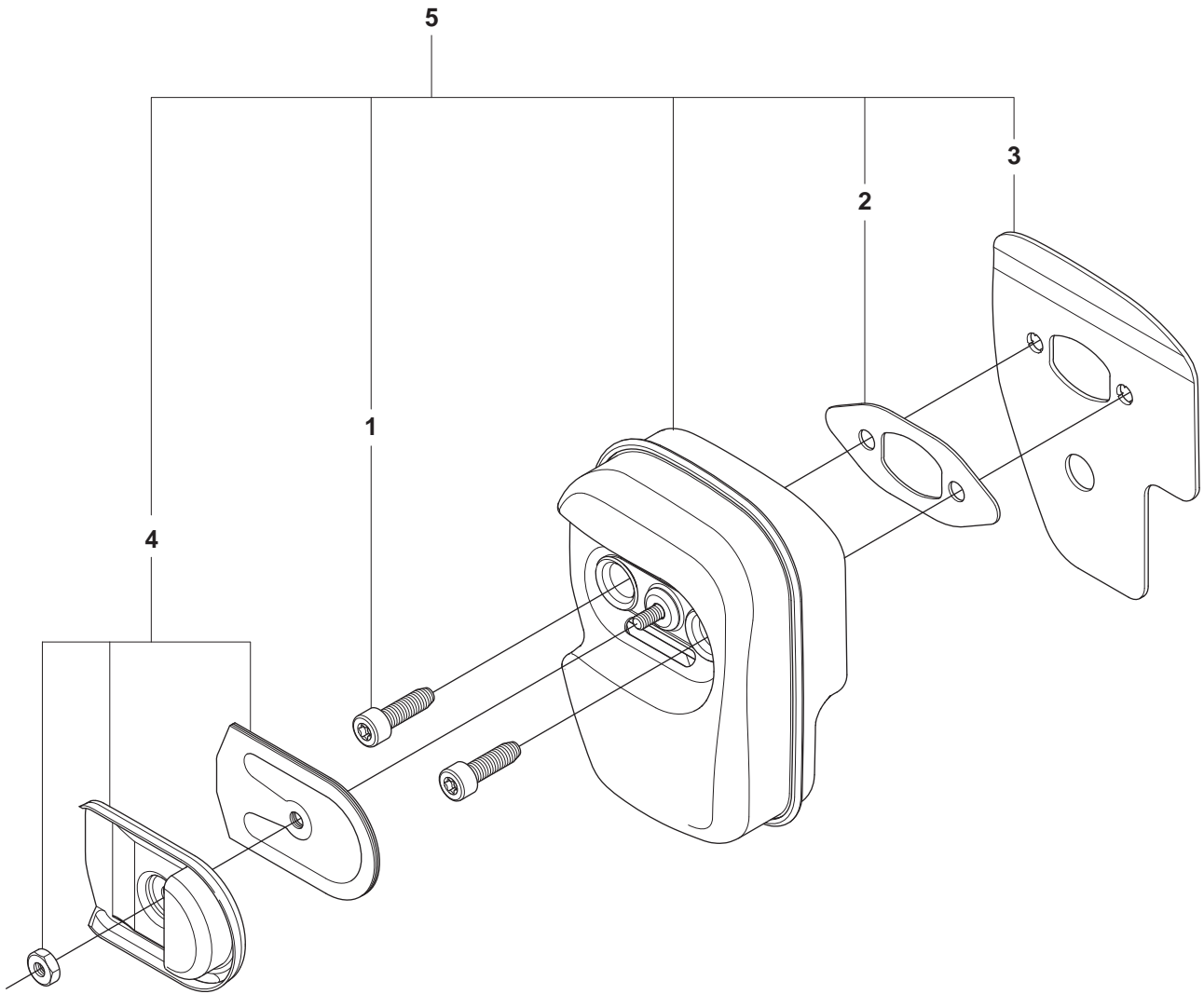


Page E CS340  
CS380

CRANK SHAFT

Position	Article	Quantity	Description	Kit
1	576 24 39-01	2	ASSY MAIN BEARING & SEAL	3
2	574 44 94-01	1	BEARING	3
3	580 30 27-01	1	ASSEMBLY CRANKSHAFT	

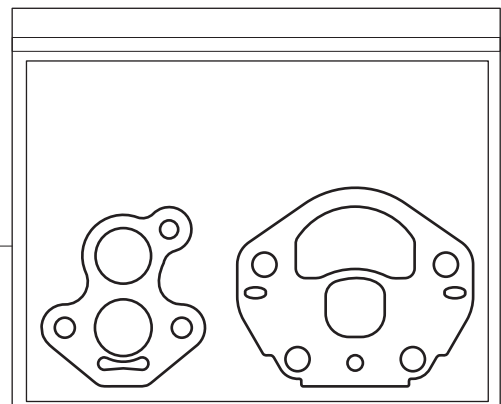
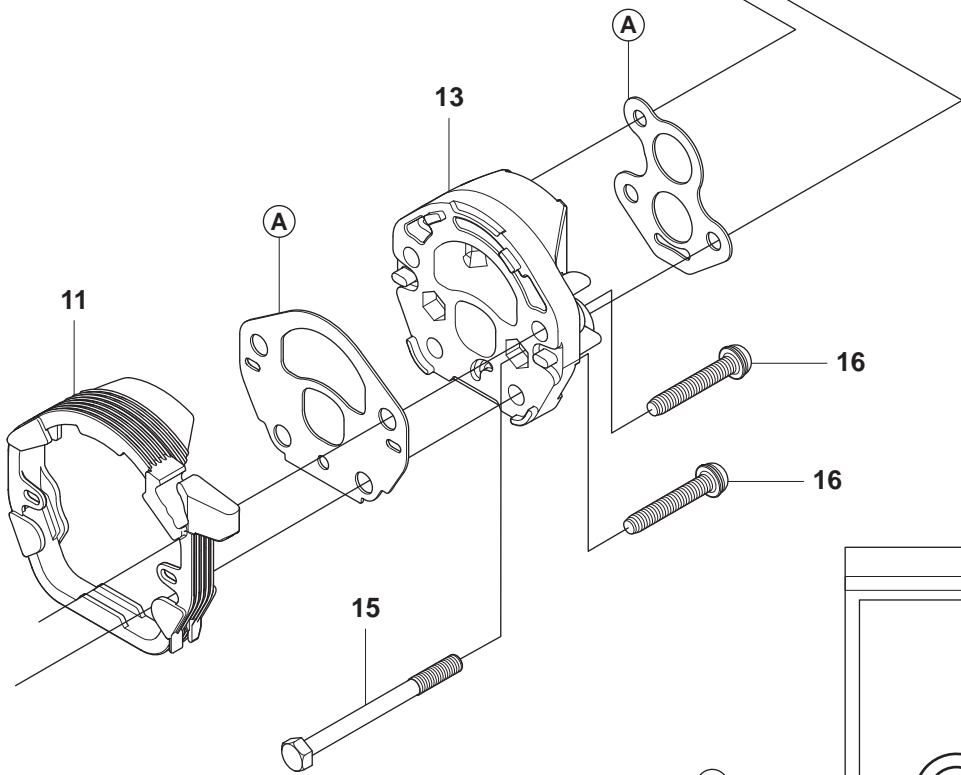
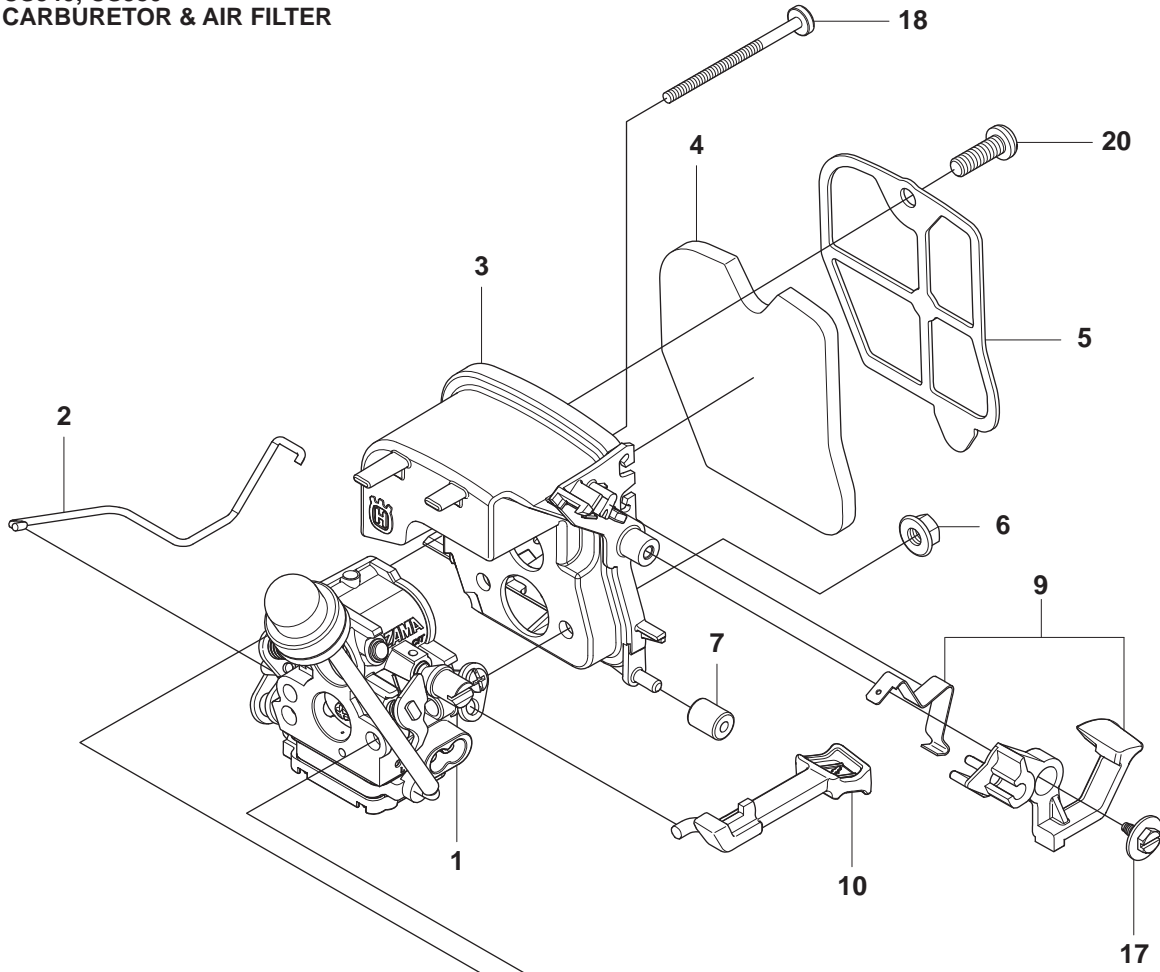
**F** CS340, CS380  
MUFFLER



**MUFFLER**

<b>Position</b>	<b>Article</b>	<b>Quantity</b>	<b>Description</b>	<b>Kit</b>
1	530 01 63-38	2	MUFFLER BOLT	5
2	530 05 48-84	1	MUFFLER GASKET	5
3	545 06 69-01	1	MUFFLER BACK PLATE	5
4	577 16 20-01	1	KIT SPARK ARRESTOR	5
5	577 16 21-01	1	KIT MUFFLER COMPLETE	

**G** CS340, CS380  
CARBURETOR & AIR FILTER



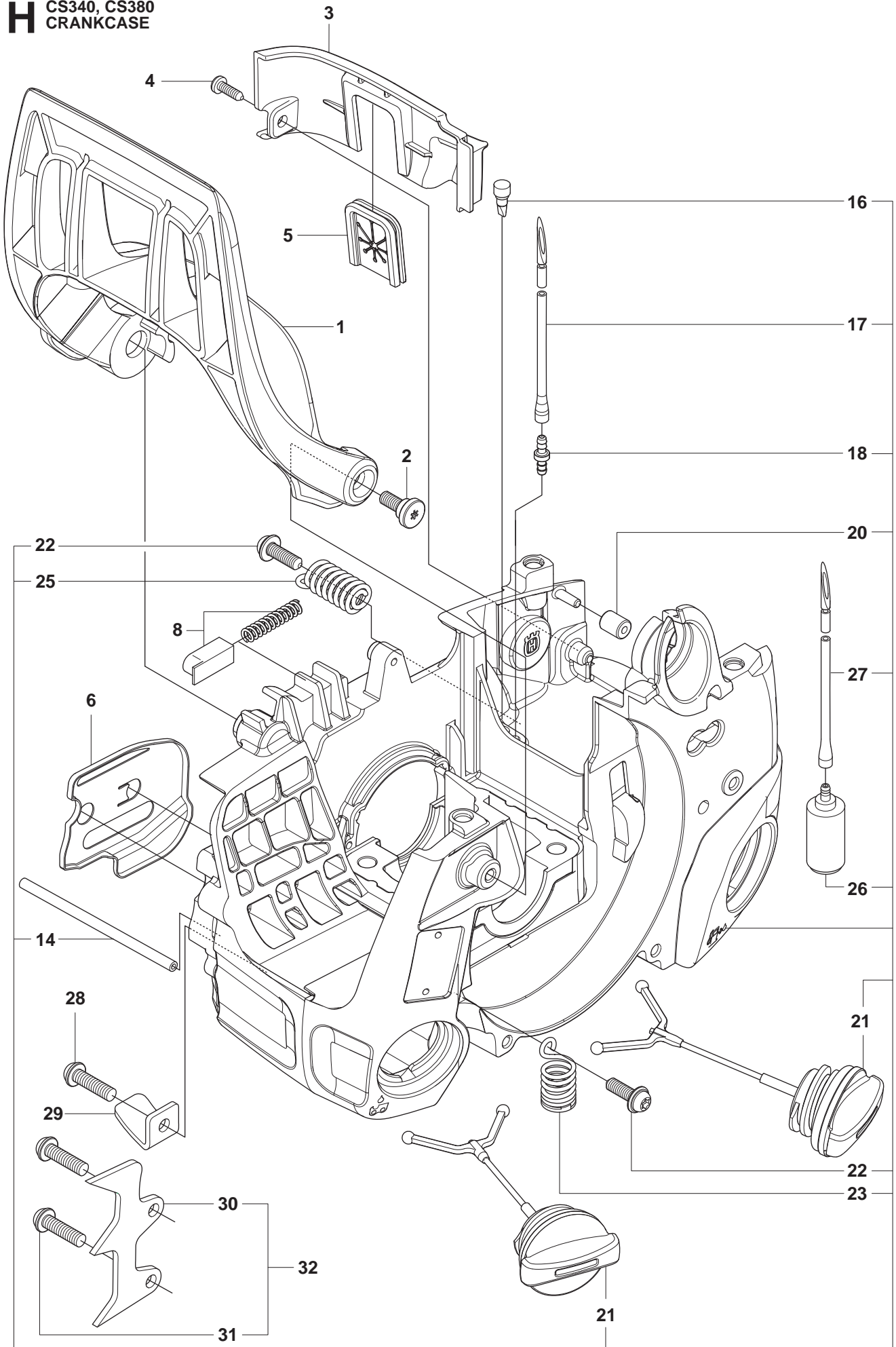
**A** 19



CARBURETOR & AIR FILTER

Position	Article	Quantity	Description	Kit
1	574 71 94-02	1	CARBURETOR (ZAMA) - REF.	
2	577 81 52-01	1	THROTTLE WIRE	
3	575 49 34-01	1	FILTER HOUSING	
4	545 06 18-01	1	AIR FILTER	
5	545 15 18-01	1	FILTER PLATE	
6	530 01 61-01	2	NUT, CARB	
7	545 06 19-01	1	ISOLATOR FILTER HOUSING	
9	577 83 07-01	1	KIT, SWITCH LEVER	
10	545 06 16-01	1	CHOKE KNOB	
11	545 06 15-01	1	CARB ADAPTOR SEAL	
13	577 63 65-01	1	CARB ADAPTOR	
15	545 03 37-01	2	STUD-CARBURETOR	
16	545 15 83-01	4	CARB ADAPTOR SCREW	
17	530 01 60-80	1	SCREW ROPE RETAINER	
18	545 07 49-01	1	TOP STUD-CARBURETOR	
19	545 08 18-92	1	GASKET KIT	
20	530 01 63-49	1	SCREW M5.28X1.81X16MM PLAS	

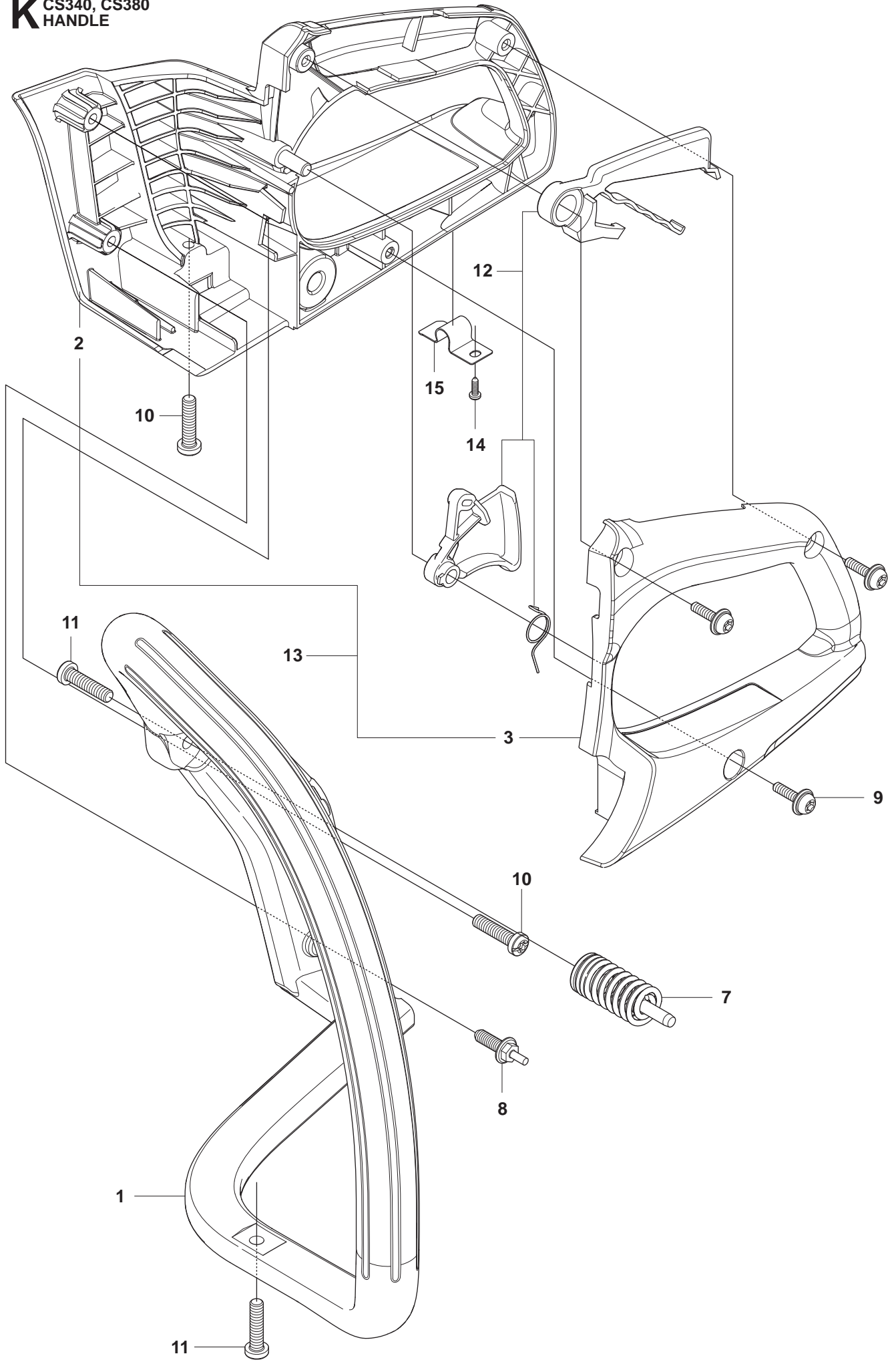
**H** CS340, CS380  
CRANKCASE



CRANKCASE

Position	Article	Quantity	Description	Kit
1	575 94 36-01	1	HANDGUARD	
2	545 12 73-01	1	BOSS SCREW, HANDGUARD	
3	576 14 10-01	1	REAR WALL	
4	545 22 71-01	1	SCREW, MTG REAR WALL	
5	545 07 54-01	1	GROMMET, REAR WALL	
6	545 07 14-01	1	PLATE BAR MOUNTING	
8	577 83 09-01	1	KIT, SPRING, HANDGUARD POSITION	
11	577 83 12-01	1	KIT, CHASSIS ASSEMBLY	
11	577 83 12-02	1	KIT, CHASSIS ASSEMBLY, <b>US/CANADA ONLY</b>	
14	545 03 35-01	1	ASSY, VENT LINE	11
16	530 02 61-19	1	CHECK VALVE (DUCK BILL)	11
17	530 02 11-32	1	LINE-RETURN PURGE	11
18	530 02 38-77	1	FITTING- FUEL LINE	11
20	545 06 19-01	1	ISOLATOR FILTER HOUSING	11
21	544 11 12-02	2	ASSY-OIL/FUEL CAP W/RET.	11
22	530 01 59-06	2	SCREW M5.28X1.81X16MM PLAS	11
23	545 03 38-01	1	ASSY FRONT ISOLATOR	11
25	577 54 06-01	1	REAR ISOLATOR SPRING	11
26	530 09 56-46	1	ASSY- PICK-UP	11
27	530 02 11-06	1	LINE, FUEL	11
27	580 40 31-01	1	LINE, FUEL, <b>US/CANADA ONLY</b>	11
28	530 01 58-14	1	SCREW CHAIN CATCHER	
29	530 02 98-50	2	CHAIN CATCHER	
30	530 03 89-90	1	SPIKE	32
31	530 01 64-39	2	SCREW SPIKE	32
32	530 01 43-81	1	KIT SPIKE	

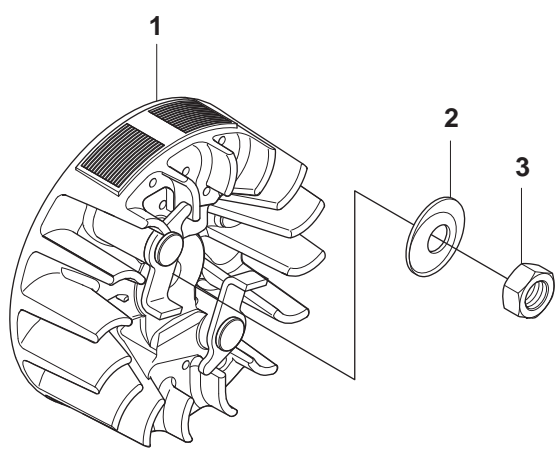
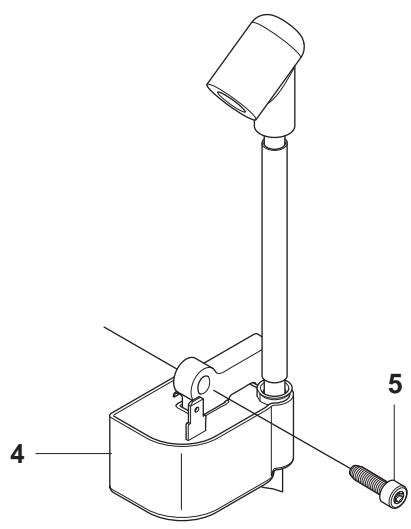
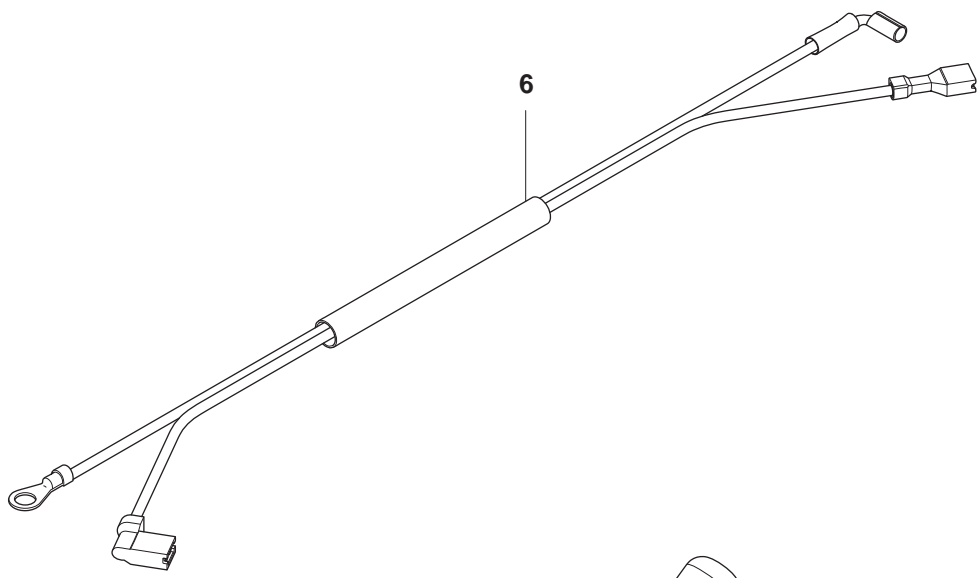
**K** CS340, CS380  
HANDLE



**Page K CS340 HANDLE**  
**CS380**

<b>Position</b>	<b>Article</b>	<b>Quantity</b>	<b>Description</b>	<b>Kit</b>
1	576 02 54-01	1	FRONT HANDLE	
2	576 02 55-01	1	REAR HANDLE W/OVMLD	13
3	576 02 57-01	1	REAR HANDLE COVER	13
7	577 54 07-01	1	ASSY FRONT ISOLATOR	
8	576 80 83-01	1	ISOLATION LIMITER SCREW	
9	530 01 64-33	3	SCREW 8-16X15.1 PL PAN.TRX	
10	530 01 63-49	2	SCREW M5.28X1.81X16MM PLAS	
11	530 01 64-32	2	SCREW M5.38-14X22.225MM	
12	577 82 19-01	1	KIT TRIGGER & LOCKOUT	
13	577 83 00-01	1	KIT HANDLE	
14	545 22 71-01	1	SCREW 19 X .437 .PL. PAN.	
15	576 38 93-01	1	SCRENCH CLIP	

**M** CS340, CS380  
IGNITION SYSTEM

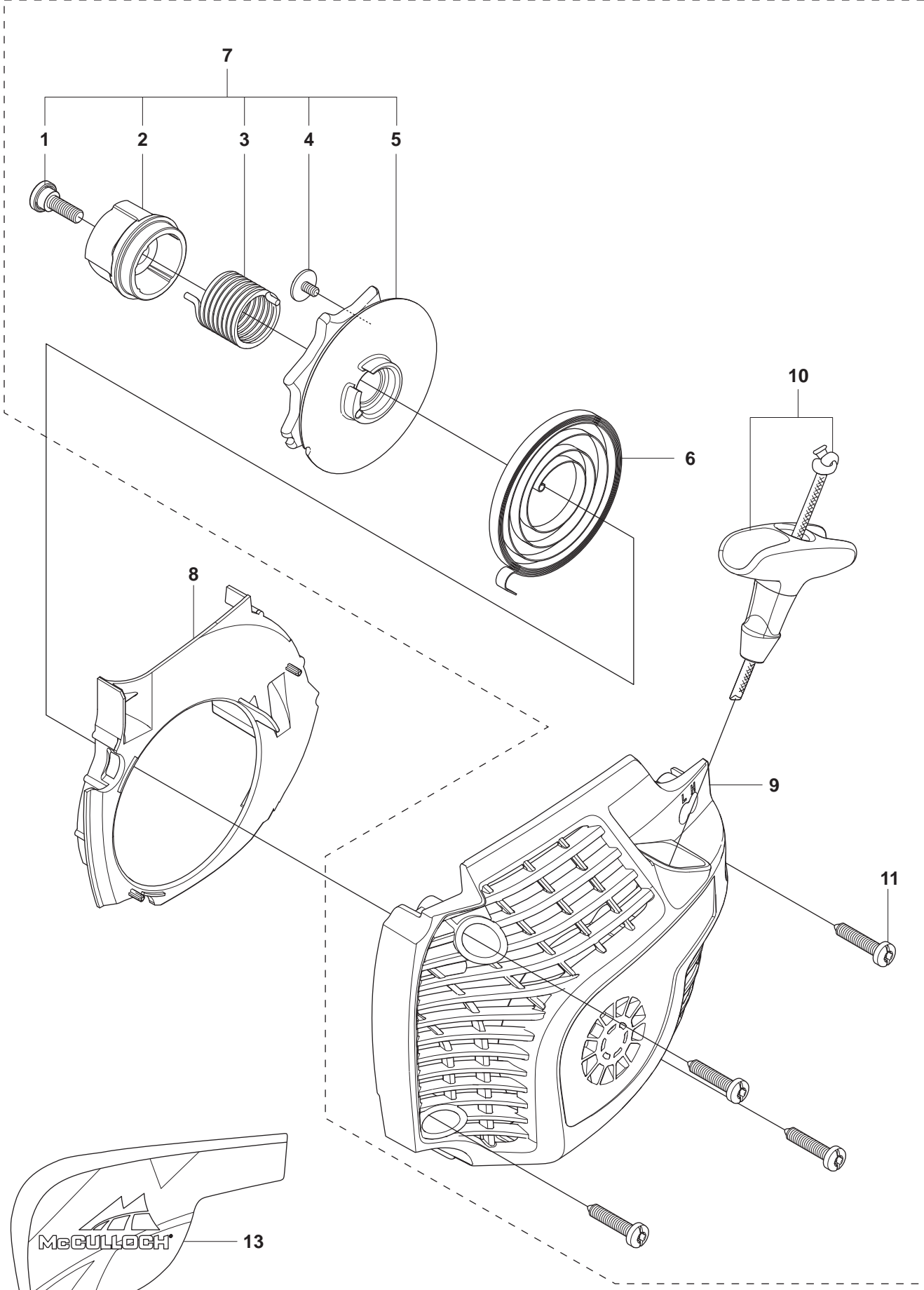


**IGNITION SYSTEM**

<b>Position</b>	<b>Article</b>	<b>Quantity</b>	<b>Description</b>	<b>Kit</b>
1	575 63 55-01	1	FLYWHEEL ASSY	
2	530 01 51-27	1	WASHER, FLYWHEEL	
3	530 01 61-34	1	NUT, FLYWHEEL	
4	575 80 35-01	1	MODULE- IGNITION	
5	545 12 19-01	2	SCREW, IGN MODULE	
6	545 07 99-01	1	ASSY- WIRE HARNESS	

**N** CS340, CS380  
STARTER

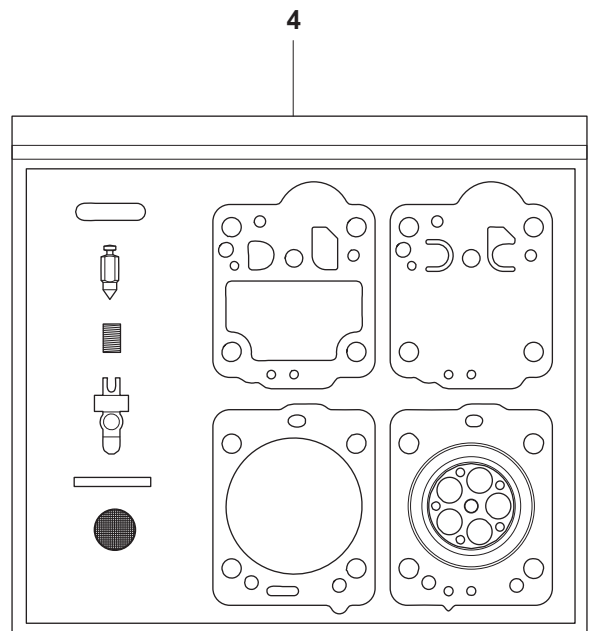
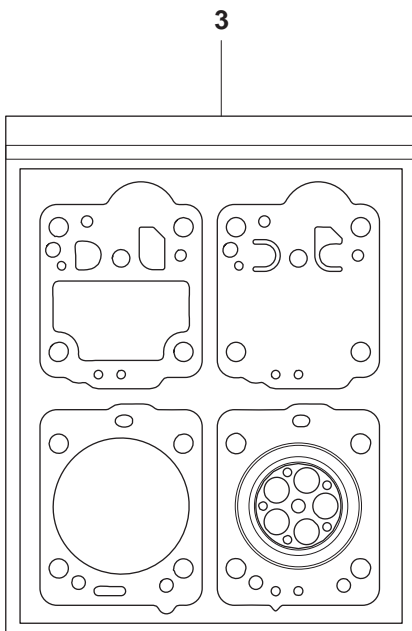
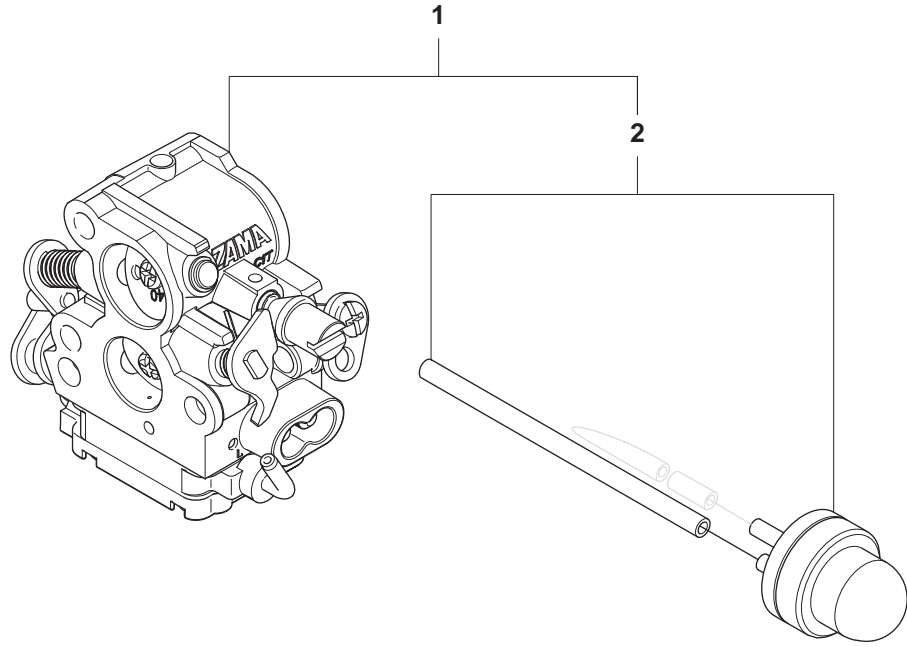
12





Position	Article	Quantity	Description	Kit
1	530 02 11-79	1	SCREW SHOULDER	7,12
2	530 05 96-77	1	STARTER HUB EPS	7,12
3	530 02 11-80	1	SPRING EPS	7,12
4	530 01 60-80	1	SCREW, ROPE RETAINER	7,12
5	545 05 82-01	1	PULLEY- STARTER EPS	7,12
6	530 04 20-95	1	SPRING- RECOIL	12
7	545 18 08-12	1	KIT, EPS STARTER	12
8	575 94 28-01	1	BAFFLE	
9	575 94 23-01	1	FAN HOUSING	12
10	576 43 13-01	1	HANDLE & ROPE assy	12
11	530 01 64-32	4	SCREW M5.38-14X22.225MM	12
12	577 16 25-01	1	KIT, COMPLETE EPS	
13	576 80 75-01	1	DECAL, FAN HOUSING	

**P** CS340, CS380  
CARBURETOR

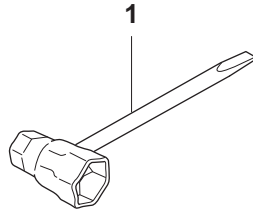


**Page P CS340  
CS380**

**CARBURETOR**

<b>Position</b>	<b>Article</b>	<b>Quantity</b>	<b>Description</b>	<b>Kit</b>
1	545 07 26-01	1	CARB COMPLETE	
2	545 00 80-30	1	PURGE AND LINE ASSEMBLY	1
3	545 00 80-31	1	KIT CARB GASKET	
4	545 00 80-32	1	KIT CARB REPAIR	

**Q** CS340, CS380  
ACCESSORIES



Page Q CS340  
CS380

**ACCESSORIES**

Position	Article	Quantity	Description	Kit
1	576 86 59-01	1	WRENCH	