



MCCULLOCH



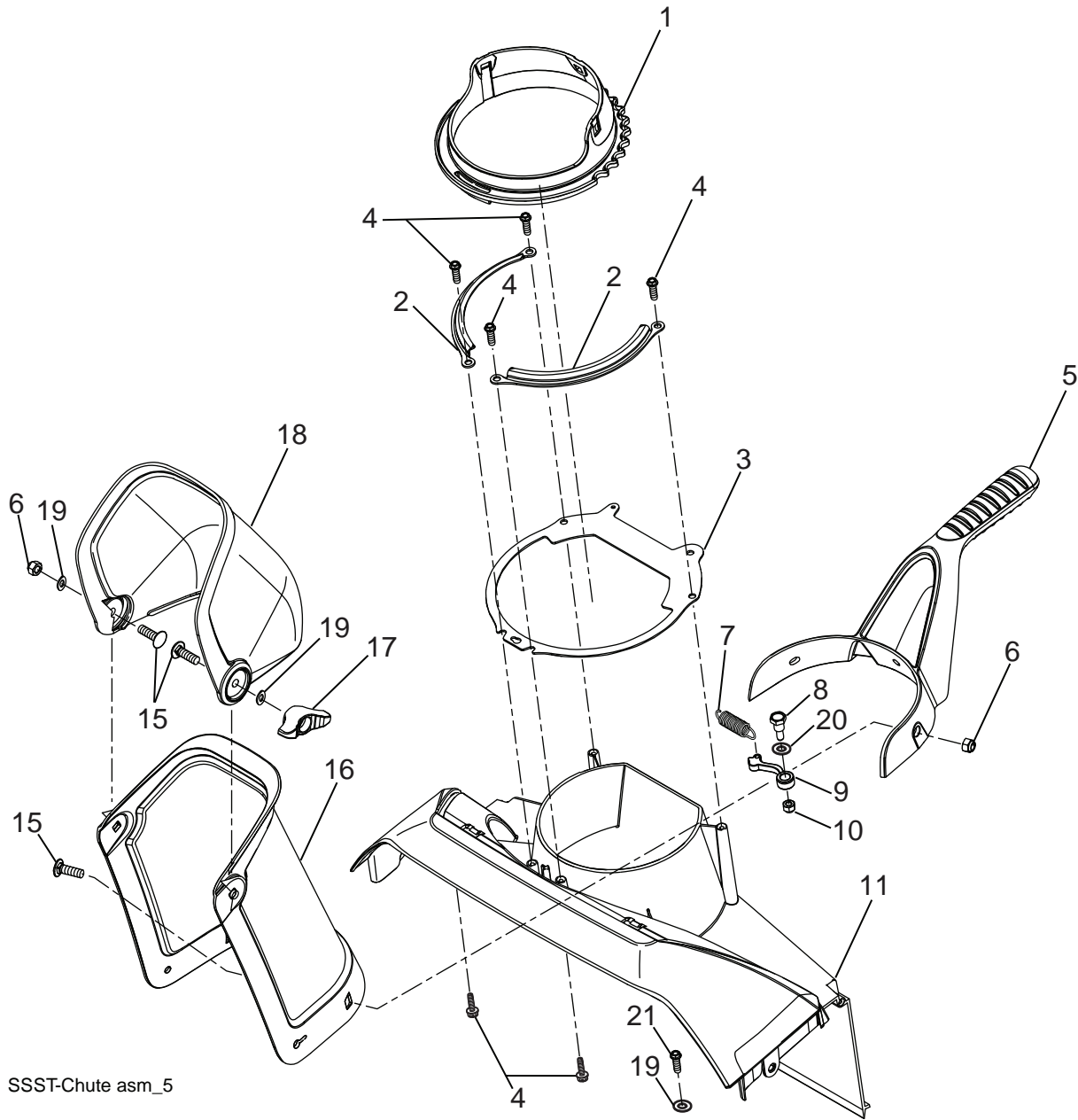
MC621ES

ILLUSTRATED PARTS LIST

Gasoline containing up to 10% ethanol (E10) is acceptable for use in this machine. The use of any gasoline exceeding 10% ethanol (E10) will void the product warranty.

REPAIR PARTS SNOW THROWER -- MODEL NUMBER MC621ES (96182000601)

CHUTE ASSEMBLY



SSST-Chute asm_5

NOTE: All component dimensions given in U.S. inches. 1 inch = 25.4 mm
IMPORTANT: Use only Original Equipment Manufacturer (O.E.M.) replacement parts. Failure to do so could be hazardous, damage your snow thrower and void your warranty.

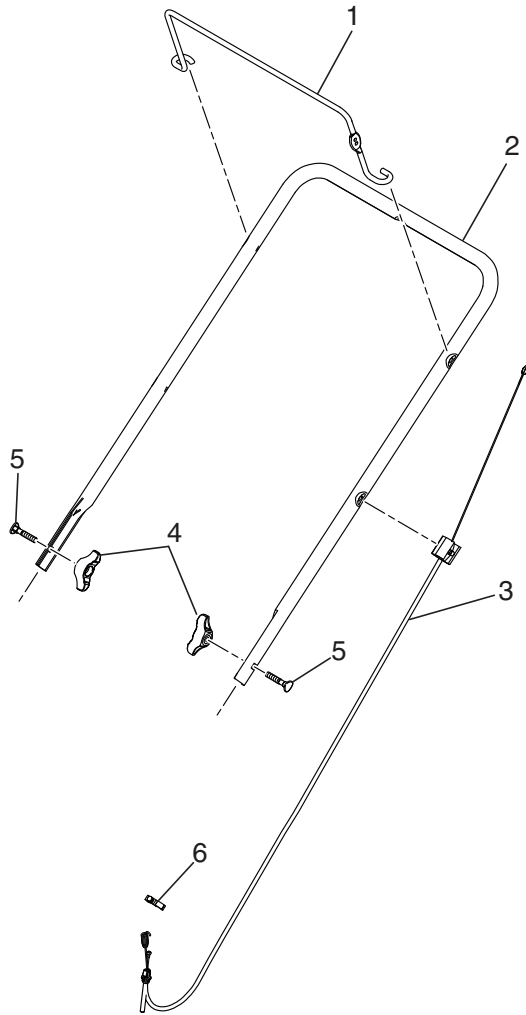
**REPAIR PARTS SNOW THROWER -- MODEL NUMBER MC621ES (96182000601)
CHUTE ASSEMBLY**

KEY NO.	PART NO.	QTY	DESCRIPTION
1	434877	1	CHUTE.RATCHETING.PLASTIC.W/GRV
2	434876X431	2	PLATE.CHUTE.RETAINER
3	434875X431	1	PLATE.CHUTE.BASE
4	17411312	6	BOLT.HEX.WSH.HD.13-16 X 3/4
5	434885X428	1	HANDLE.CHUTE.MS428
6	73970500	4	NUT.LOCK.HX.W/INS 5/16-18 UNC PL
7	434879	1	SPRING.RATCHET.ARM
8	81328	1	BOLT.SHOULDER.1/4-20 UNC X .94
9	434878	1	ARM.CHUTE.RATCHET
10	132004	1	HEX.NUT.1/4-20 NYLON LOCKING
11	441434X428	1	PLENUM
15	437318	5	CARRIAGE.BOLT
16	434884X428	1	CHUTE
17	189713X428	1	HANDLE.KNOB
18	434886X428	1	DEFLECTOR.CHUTE
19	19131316	3	WASHER
20	19132416	1	WASHER.RATCHET.PAWL
21	428867	1	BOLT

NOTE: All component dimensions given in U.S. inches. 1 inch = 25.4 mm
IMPORTANT: Use only Original Equipment Manufacturer (O.E.M.) replacement parts.
 Failure to do so could be hazardous, damage your snow thrower and void your warranty.

REPAIR PARTS SNOW THROWER -- MODEL NUMBER MC621ES (96182000601)

HANDLE ASSEMBLY



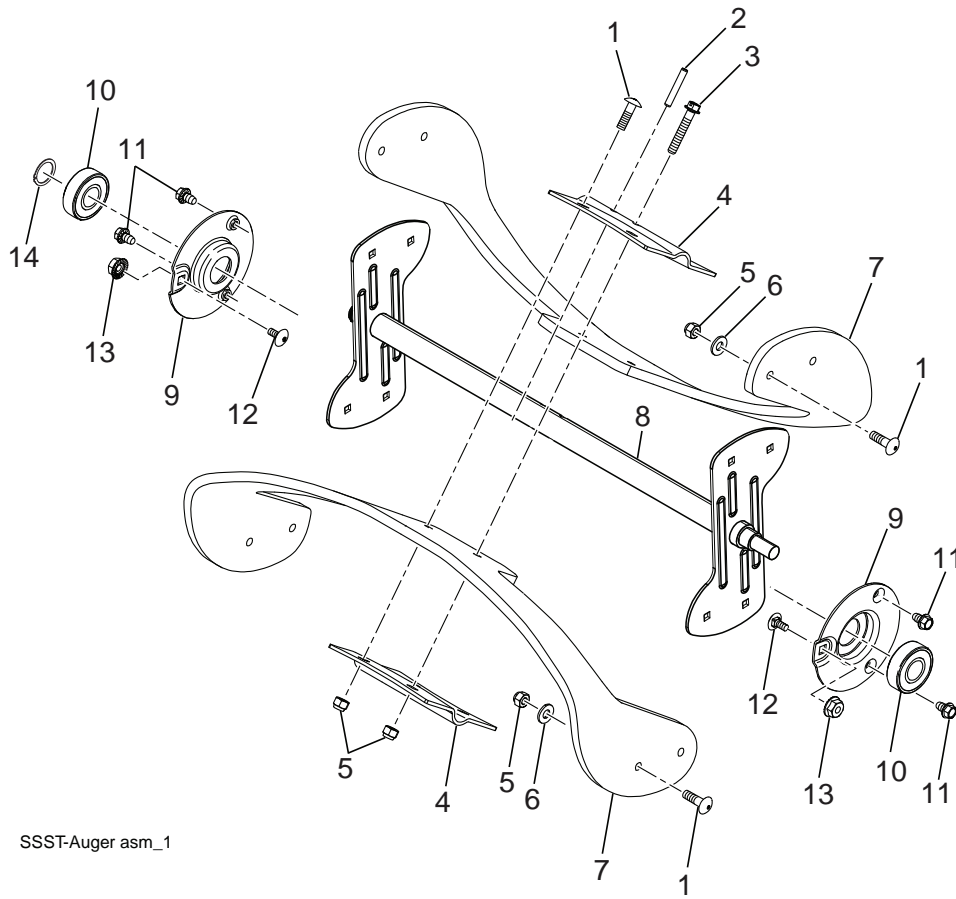
SSST-Handle asm_1

KEY NO.	PART NO.	QTY	DESCRIPTION
1	442888X421	1	BAIL.HANDLE.PAINT.MS431
2	442595X431	1	HANDLE.PNT.UPPER.SSST
3	434806	1	CONTROL.CABLE
4	189713X428	2	KNOB.HANDLE.BLACK
5	191574	2	BOLT.HANDLE.BLACK PATCHED
6	145006	1	CLIP.PUSH-IN.HINGED

NOTE: All component dimensions given in U.S. inches. 1 inch = 25.4 mm
IMPORTANT: Use only Original Equipment Manufacturer (O.E.M.) replacement parts.
 Failure to do so could be hazardous, damage your snow thrower and void your warranty.

REPAIR PARTS SNOW THROWER -- MODEL NUMBER MC621ES (96182000601)

AUGER ASSEMBLY

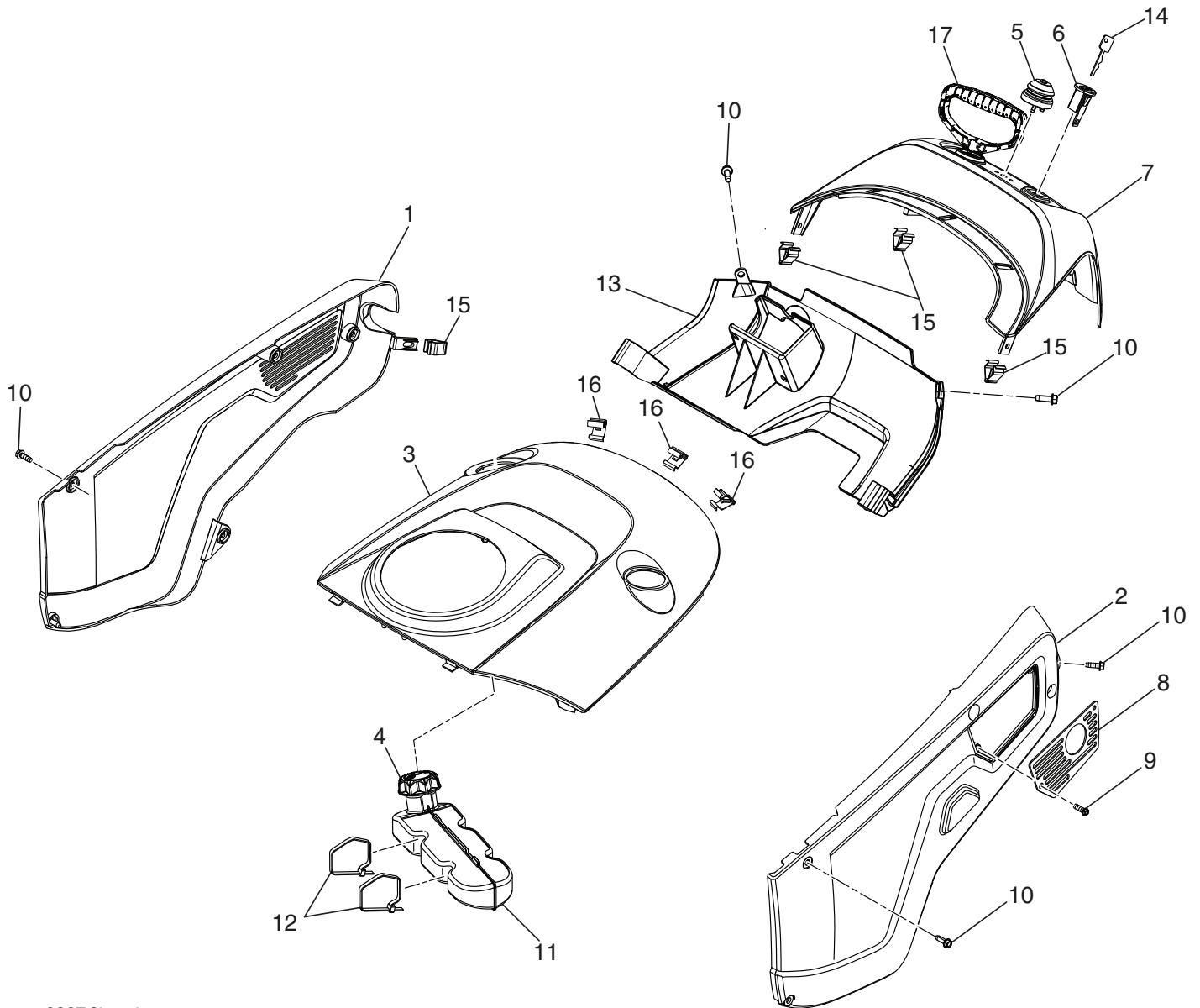


SSST-Auger asm_1

KEY NO.	PART NO.	QTY	DESCRIPTION
1	72110407	12	BOLT.CARRIAGE
2	5142H	1	PIN.ROLL.3/16 X 1-1/4
3	199687	1	BOLT.1/4-20.1.50"
4	434777X431	2	PLATE.CENTER.BLADE
5	132004	13	HEX.NUT.1/4-20 NYLON LOCKING
6	19091016	8	WASHER 9/32 X 5/8 X 16 GA.
7	442759	2	BLADE.AUGER
8	434862X428	1	WELDMENT.AUGER.ASM
9	434010X431	2	SUPPORT.BEARING.SSST.PNT
10	110485X	2	BEARING.BALL.MANDREL
11	17600406	4	SCREW.HEX.WASHEAD.1/4-20 X 3/8
12	72110404	2	BOLT.CARR.SS.1/4-20 UNC X 1/2.GR5
13	438130	2	WHIZ.LOCK.NUTS.BEARING CAPS
14	12000028	1	RETAINING.CLIP

NOTE: All component dimensions given in U.S. inches. 1 inch = 25.4 mm
IMPORTANT: Use only Original Equipment Manufacturer (O.E.M.) replacement parts. Failure to do so could be hazardous, damage your snow thrower and void your warranty.

REPAIR PARTS SNOW THROWER -- MODEL NUMBER MC621ES (96182000601) SHROUD ASSEMBLY



SSST-Shroud asm_17

NOTE: All component dimensions given in U.S. inches. 1 inch = 25.4 mm
IMPORTANT: Use only Original Equipment Manufacturer (O.E.M.) replacement parts.
Failure to do so could be hazardous, damage your snow thrower and void your warranty.

REPAIR PARTS SNOW THROWER -- MODEL NUMBER MC621ES (96182000601)

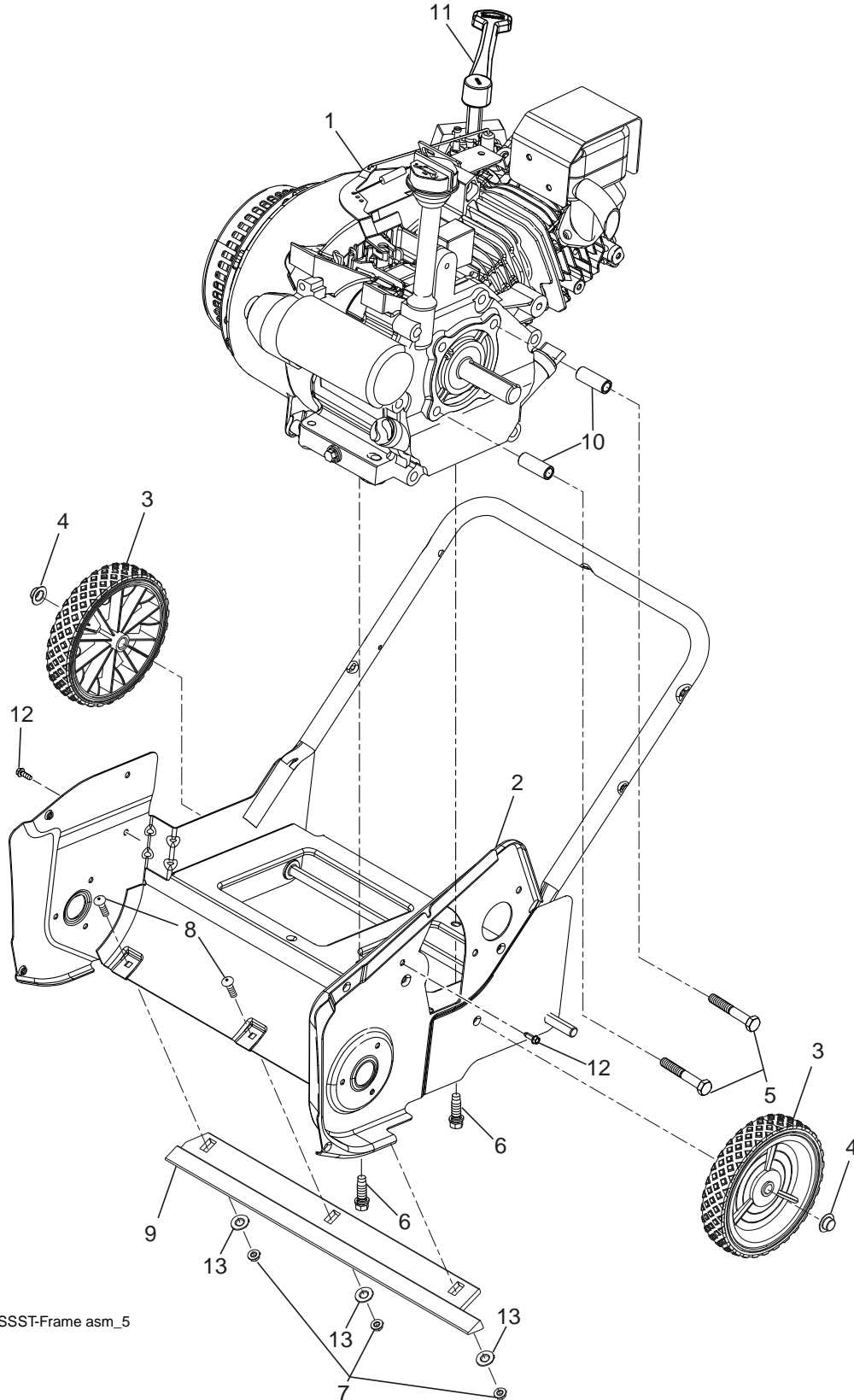
SHROUD ASSEMBLY

KEY NO.	PART NO.	QTY	DESCRIPTION
1	441447X428	1	COVER.NON-DRIVE.SIDE.MS428
2	441440X428	1	COVER.DRIVE.SIDE.MS428
3	441430X428	1	TOPCOVER
4	430220	1	CAP.ASM.FUEL.2.25"FR.N/CB.E10
5	436235	1	BULB.PRIMER
6	435407	1	KEY HOUSING
7	434867X428	1	TOPREAR.COVER
8	434873X431	1	PLATE.EXHAUST.PNT.
9	17411312	4	SCREW
10	442250	12	SCREW.PAN.HD.TORX.1/4-20 X .750
11	434880	1	TANK.FUEL.ASM
12	146848	2	TIE.CABLE.24.5X.29.NYLON.WHITE
13	435529X428	1	COVER.REAR.LOWER
14	435409	2	KEY
15	196688	3	CLIP
16	434868	1	HANDLE.STARTER
17	436276	4	CLIPS

NOTE: All component dimensions given in U.S. inches. 1 inch = 25.4 mm
IMPORTANT: Use only Original Equipment Manufacturer (O.E.M.) replacement parts.
 Failure to do so could be hazardous, damage your snow thrower and void your warranty.

REPAIR PARTS SNOW THROWER -- MODEL NUMBER MC621ES (96182000601)

FRAME ASSEMBLY



SSST-Frame asm_5

NOTE: All component dimensions given in U.S. inches. 1 inch = 25.4 mm
IMPORTANT: Use only Original Equipment Manufacturer (O.E.M.) replacement parts. Failure to do so could be hazardous, damage your snow thrower and void your warranty.

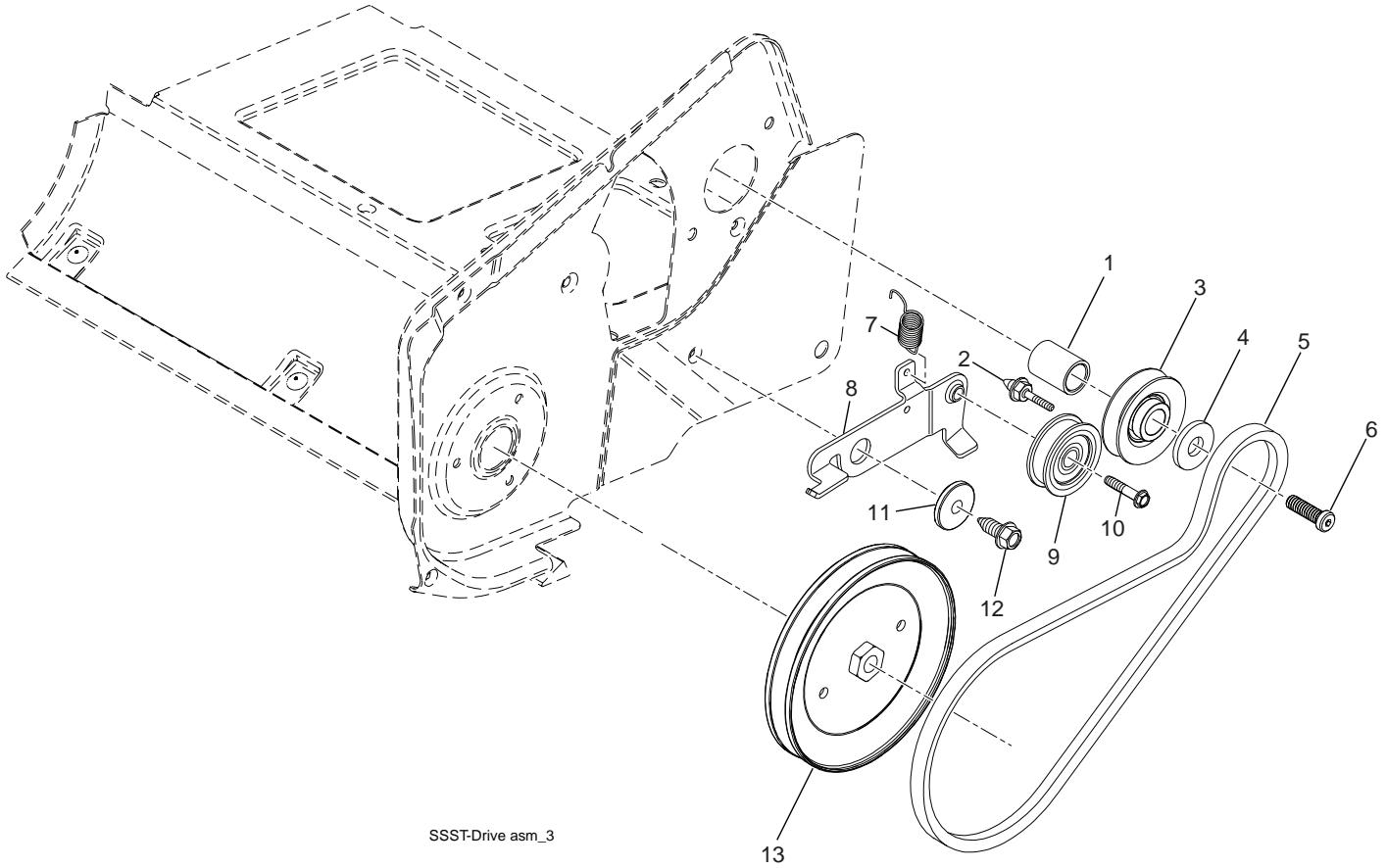
**REPAIR PARTS SNOW THROWER -- MODEL NUMBER MC621ES (96182000601)
FRAME ASSEMBLY**

KEY NO.	PART NO.	QTY	DESCRIPTION
1	444169	1	LCT.ENGINE
2	444387X431	1	FRAME.WELDMENT
3	435528X421	2	WHEEL.8X1.5.BRICK.GS.3SPK.MS421
4	435417	2	NUT.PUSH.AXLE.0.5IN
5	435578	2	SCREW. 5/16-24 X 2.00"HHCS
6	150406	2	BOLT.ENG. 3/8-16 X 1.280
7	191730	3	NUT.HEX.FLANGE.1/4-20.CTR.LOCK
8	72110407	3	BOLT.RDHD.SQNK.1/4 UNC X 5/8
9	442942	1	PLATE.SCRAPER
10	434857	2	SPACER.ENGINE
11	434874	1	LEVER.CHOKE
12	17411312	2	HEX.BOLT
13	19091016	3	WASHER.9/32 X 5/8 X 16 GA.

NOTE: All component dimensions given in U.S. inches. 1 inch = 25.4 mm
IMPORTANT: Use only Original Equipment Manufacturer (O.E.M.) replacement parts.
 Failure to do so could be hazardous, damage your snow thrower and void your warranty.

REPAIR PARTS SNOW THROWER -- MODEL NUMBER MC621ES (96182000601)

DRIVE ASSEMBLY

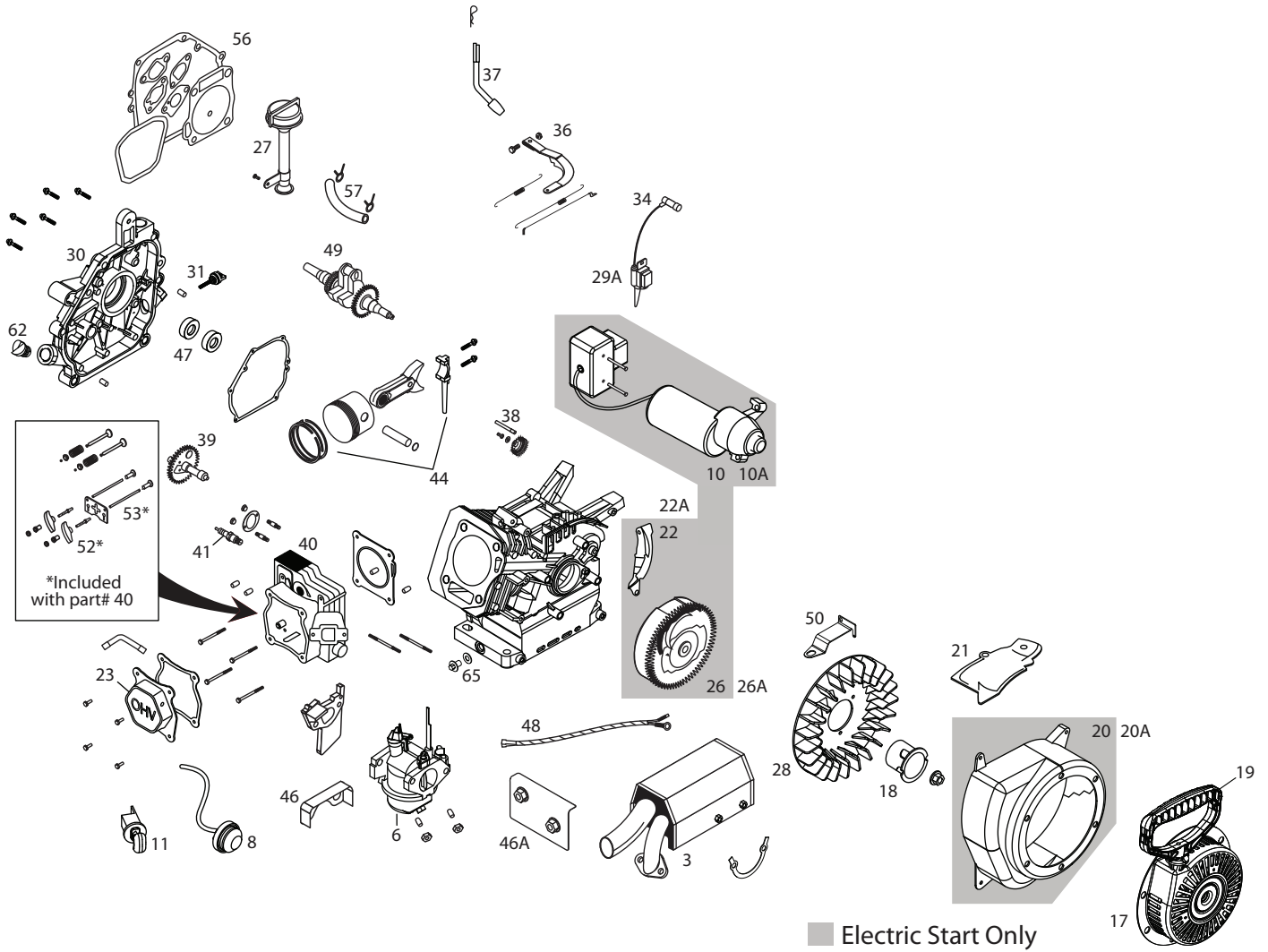


KEY NO.	PART NO.	QTY	DESCRIPTION
1	434860	1	SPACER.ENGINE.CRANK
2	434502	1	KEEPER.ENGINE.BELT
3	426490	1	PULLEY.ENG.TRACTION.3/4
4	851074	1	WASHER.HARDEN
5	437261	1	BELT-V.TRACTION
6	430817	1	SCREW.CAPSCHD.3/8-24 X 1.25
7	434859	1	SPRING.IDLER.PULLEY.RETURN
8	434848X431	1	ARM.IDLER.PNT.MS431
9	166043	1	PULLEY.IDLER.BACKSIDE
10	17060620	1	SCREW.HXWH.THDR.1/4-20X1-1/4
11	199092	1	SPACER.RETAINER
12	17060620	1	SCREW.3/8-16X1.SMGML.TAP/R.BLK
13	435383	1	PULLEY.DRIVEN
--	443614	1	OWNER'S.MANUAL.ENGLISH/FRENCH

NOTE: All component dimensions given in U.S. inches. 1 inch = 25.4 mm
IMPORTANT: Use only Original Equipment Manufacturer (O.E.M.) replacement parts. Failure to do so could be hazardous, damage your snow thrower and void your warranty.

SERVICE NOTES

REPAIR PARTS SNOW THROWER -- MODEL NUMBER MC621ES (96182000601)
ENGINE, LCT **COMPLETE ENGINE-444168,444169,444170,444171**



■ Electric Start Only

REPAIR PARTS SNOWTHROWER -- MODEL NUMBER MC621ES (96182000601)
ENGINE, LCT **COMPLETE ENGINE-444168,444169,444170,444171**

KEY NO.	PART NO.	DESCRIPTION	KEY NO.	PART NO.	DESCRIPTION
3	444277	MUFFLER ASSEMBLY-SNOW	27	444091	HIGH OIL FILL TUBE ASSY
6	437122	SNOW CARBURETOR ASSY	28	420586	FLYWHEEL FAN
8	437123	FUEL PRIMER BULB WITH HOSE	29A	443934	IGNITION COIL (CDI) (USED ON ENGINES WITHOUT REF. 12
10	437124	ELECTRIC STARTER ASSY	30	420606	CRANKCASE COVER ASSY
10A	437125	EUROPEAN 230V ELECTRIC STARTER	31	420961	BLACK OIL DIPSTICK
11	424954	KEY SWITCH ASSY	34	436966	SPARK PLUG BOOT
17	436967	RECOIL STARTER ASSEMBLY-SNOW	36	420601	GOVERNOR ARM ASSY
18	436968	STARTER CUP SMALL	37	420602	GOVERNOR SHAFT
19	424968	SNOW STARTER GRIP	38	429646	GOVERNOR GEAR ASSY
20	424971	BLOWER HOUSING ASSEMBLY	39	420584	CAMSHAFT
		ELECTRIC START - SNOW (BLACK)	40	420578	CYLINDER HEAD ASSY
20A	429230	BLOWER HOUSING ASSEMBLY	41	424939	SPARK PLUG
		MANUAL START - SNOW (BLACK)	44	420582	PISTON AND ROD ASSY
21	437119	SHIELD, CYLINDER	46	429260	VAPOR SHIELD
22	424975	SHIELD, FLYWHEEL - ELECTRIC START (IF EQUIPPED)	46A	444275	INTAKE SHIELD
22A	429596	SHIELD, FLYWHEEL - MANUAL START	47	429599	SEAL KIT
23	420580	VALVE COVER	48	444276	WIRE HARNESS
26	429235	ELECTRIC START FLYWHEEL ASSY	49	429600	CRANKSHAFT
26A	420585	MANUAL START FLYWHEEL ASSY	50	429259	SPEED CONTROL BRACKET
			52	429691	ROCKER ARM KIT
			53	420579	PUSH ROD KIT
			54	436567	CYLINDER ASSEMBLY
			56	429601	GASKET KIT
			57	438014	FUEL HOSE KIT
			62	435495	NON-REMOVABLE OIL PLUG
			65	435495	OIL DRAIN PLUG KIT

LIMITED WARRANTY

The Manufacturer warrants to the original consumer purchaser that this product as manufactured is free from defects in materials and workmanship. For a period of two (2) years from date of purchase by the original consumer purchaser, we will repair or replace, at our option, without charge for parts or labor incurred in replacing parts, any part which we find to be defective due to materials or workmanship. This Warranty is subject to the following limitations and exclusions.

1. This warranty does not apply to the engine, transaxle/transmission components, battery (except as noted below) or components parts thereof. Please refer to the applicable manufacturer's warranty on these items.
2. Transportation charges for the movement of any power equipment unit or attachment are the responsibility of the purchaser. Transportation charges for any parts submitted for replacement under this warranty must be paid by the purchaser unless such return is requested by the manufacturer.
3. Battery Warranty: On products equipped with a Battery, we will replace, without charge to you, any battery which we find to be defective in manufacture, during the first ninety (90) days of ownership. After ninety (90) days, we will exchange the Battery, charging you 1/12 of the price of a new Battery for each full month from the date of the original sale. Battery must be maintained in accordance with the instructions furnished.
4. The Warranty period for any products used for rental or commercial purposes is limited to 90 days from the date of original purchase.
5. This Warranty applies only to products which have been properly assembled, adjusted, operated, and maintained in accordance with the instructions furnished. This Warranty does not apply to any product which has been subjected to alteration, misuse, abuse, improper assembly or installation, delivery damage, or to normal wear of the product.
6. Exclusions: Excluded from this Warranty are belts, blades, blade adapters, normal wear, normal adjustments, standard hardware and normal maintenance.
7. In the event you have a claim under this Warranty, you must return the product to an authorized service dealer.

Should you have any unanswered questions concerning this Warranty, please contact:

HOP
Outdoor Products Customer Service Dept.
9335 Harris Corners Parkway
Charlotte, NC 28269 USA

In Canada contact:
HOP
5855 Terry Fox Way
Mississauga, Ontario
L5V 3E4

giving the model number, serial number and date of purchase of your product and the name and address of the authorized dealer from whom it was purchased.

THIS WARRANTY DOES NOT APPLY TO INCIDENTAL OR CONSEQUENTIAL DAMAGES AND ANY IMPLIED WARRANTIES ARE LIMITED TO THE SAME TIME PERIODS STATED HEREIN FOR OUR EXPRESSED WARRANTIES. Some areas do not allow the limitation of consequential damages or limitations of how long an implied Warranty may last, so the above limitations or exclusions may not apply to you. This Warranty gives you specific legal rights, and you may have other rights which vary from locale to locale.

This is a limited Warranty within the meaning of that term as defined in the Magnuson-Moss Act of 1975.

