

PNC

966531901

ML

00,01,02

Model

M 46-135 CMDWA

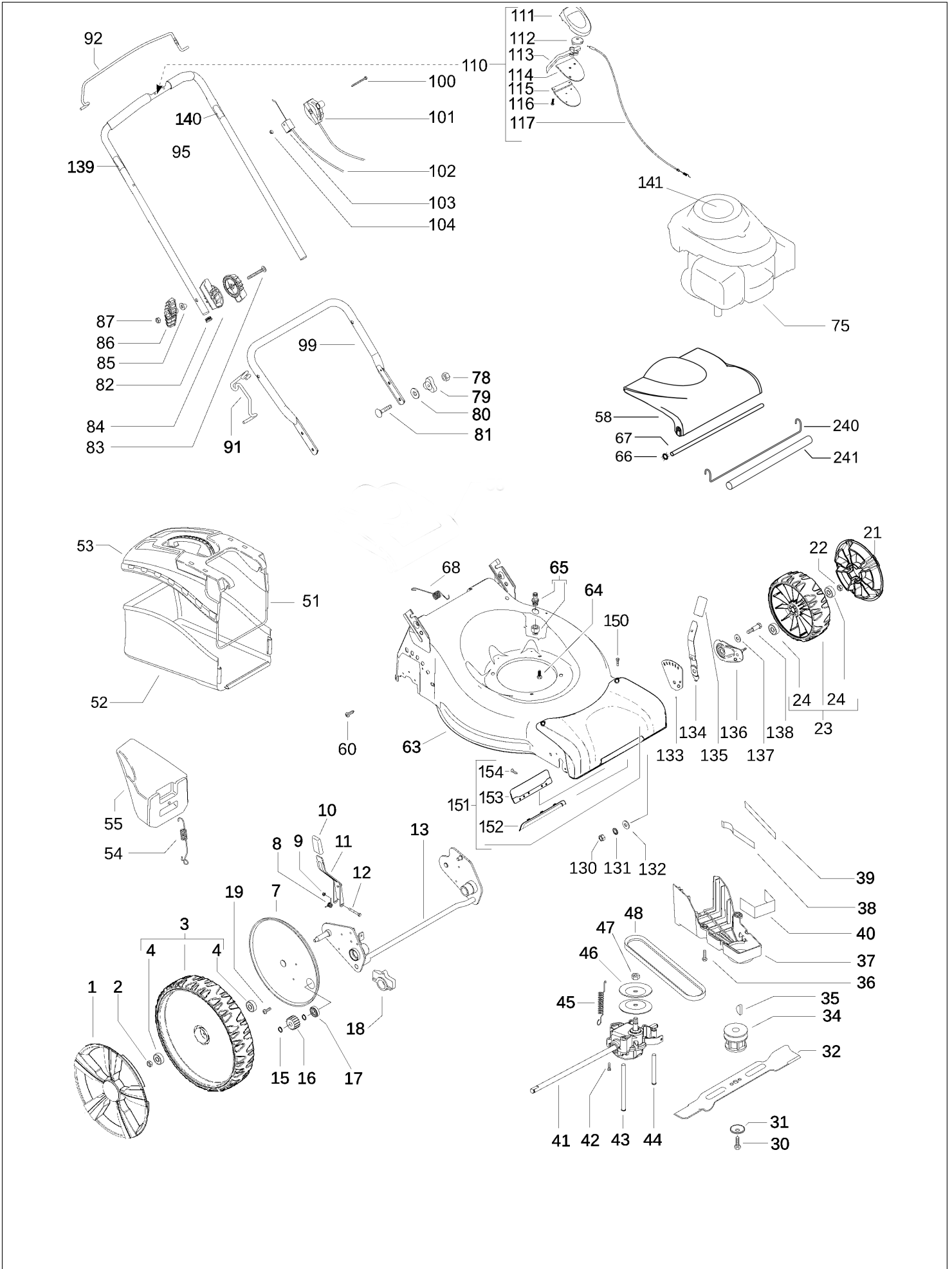
Brand

McCulloch

Number of Pages 1 of 3

Factory:	IIQ - Valmadrera	Product Group:	OP 93
Publication Number:	MIPL2010_V070000007	Petrol Portable	
Publication Date:	18/02/10	Sub Group	1071

HUSQVARNA OUTDOOR PRODUCTS ITALIA SPA



HUSQVARNA OUTDOOR PRODUCTS ITALIA SPA

Item	PN	Description	Qty	Item	PN	Description	Qty
1	574 39 66-01	wheel cover 280	2	78	531 20 79-82	nut M8	2
2	504 85 78-01	nut M8, self locking, flanged	2	79	531 20 49-23	knob	2
3	574 45 12-01	wheel assy 280	2	80	531 20 49-22	washer	2
4	504 54 82-01	ball bearing	2	81	531 20 49-21	screw M8x25	2
7	504 82 73-01	dust shield Ø210	2	82	531 20 89-50	cap	2
8	531 21 08-17	spring, wheel regulator lever	1	83	531 20 58-42	screw 8x75	2
9	531 20 84-92	nut M5, self locking	1	84	531 20 58-39	locking disc, one half	4
10	574 61 05-01	handle, wheel regulator	1	85	531 20 58-41	washer	2
11	501 97 99-01	wheel regulator lever	1	86	531 20 58-40	knob	2
12	538 23 58-07	screw M5x45	1	87	531 20 79-82	nut M8	2
13	510 09 29-01	rear axle	1	91	504 70 86-01	starter cable guide	1
14	531 20 66-53	cotter pin	1	92	544 46 38-04	brake lever	1
15	531 20 87-72	seeger	2	93	544 91 34-01	sheating handle	2
16	544 34 23-01	gear	2	95	504 87 93-01	handle, upper half	1
17	531 20 87-78	ball bearing	2	98	531 20 55-81	binder	2
18	531 20 59-44	rear axle housing	2	99	531 20 51-18	handle, lower half	1
21	574 39 64-01	wheel cover 190	2	100	576 13 60-01	screw M6x65	1
22	504 85 78-01	nut M8, self locking, flanged	2	101	574 36 14-02	accelerator and lever cable	1
23	574 45 09-01	wheel assy 190	2	102	531 21 35-22	brake cable	1
24	504 54 82-01	ball bearing	2	103	531 20 80-43	cable support	1
30	531 20 80-08	screw, 3/8"	1	104	531 20 80-63	nut M6	1
31	531 20 72-37	spring washer	1	110	544 93 29-06	EZ control assy	1
32	531 21 10-17	mulching blade	1	111	532 41 35-42	cover	1
34	504 59 12-01	blade support	1	112	532 18 73-53	pulley	1
35	504 59 14-01	key	1	113	505 53 12-01	lever	1
36	531 20 78-56	screw 5x10	3	114	532 41 35-41	plate	1
37	544 46 22-01	belt cover	1	115	532 18 70-97	holder	1
38	504 04 61-01	belt guide	1	116	532 18 16-98	screw	5
39	544 46 25-01	belt guide	1	117	544 90 79-01	cable	1
40	504 05 66-01	belt guide	1	130	531 20 79-78	nut M10	2
41	504 54 14-02	gear box	1	131	531 20 89-74	washer	2
42	510 03 75-01	screw 4x16 w. washer	2	132	531 20 79-89	washer	2
43	544 93 44-01	belt guide	1	133	544 45 22-01	bracket, wheel adj.	2
44	544 93 43-01	belt guide	1	134	544 45 25-01	wheel regulator lever	2
45	544 93 47-01	gear box spring	1	135	574 61 05-01	handle, wheel regulator lever	2
46	504 54 79-01	pulley plate	2	136	504 85 14-01	wheels support	2
47	504 54 80-01	nut	2	137	531 20 60-20	washer	2
48	504 03 48-01	belt Z28 10X710	1	138	531 20 49-12	screw M10	2
51	574 86 94-01	sack frame	1	139	576 28 37-01	label, clutch handle	1
52	574 86 96-01	sack	1	140	576 28 32-01	label, brake handle	1
53	574 61 03-01	hard top	1	141	576 28 38-01	label, cover engine	1
54	522 85 77-01	spring, mulching plug	1	150	576 04 74-01	screw	2
55	531 21 06-17	mulching plug	1	151	575 56 21-02	front cover	1
58	574 61 02-01	safety flap	1	152	574 37 52-01	frontal plate	1
60	531 20 66-77	screw 4.8x19, self threading	2	153	574 72 17-01	back plate	1
63	575 50 09-02	deck	1	154	575 95 57-01	screw	2
64	531 21 28-51	screw 3/8" + split washer	3	240	578 32 30-01	wire, grass seal	1
65	531 20 58-48	snap on connector	1	241	578 32 18-01	grass seal	1
66	531 20 76-57	star lock washer	2				
67	531 20 50-60	safety flap bar	1				
68	531 20 59-99	spring	1				
75	———	engine, Honda model number GCV135E-A4-G9-SD	1				