

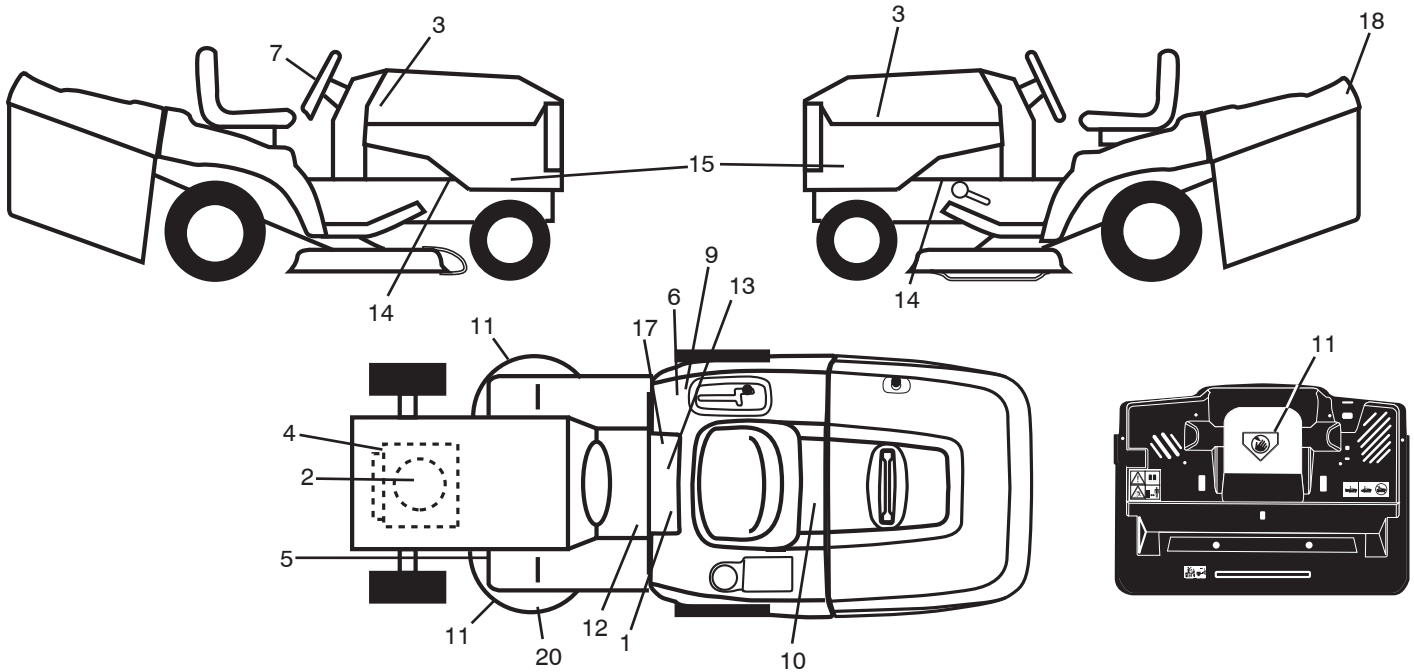
ILLUSTRATED PARTS LIST

MFG. ID NO. 96061030700

CUSTOMER CATALOG NO. M175H38RB

PRODUCT NO. 960 61 03-07

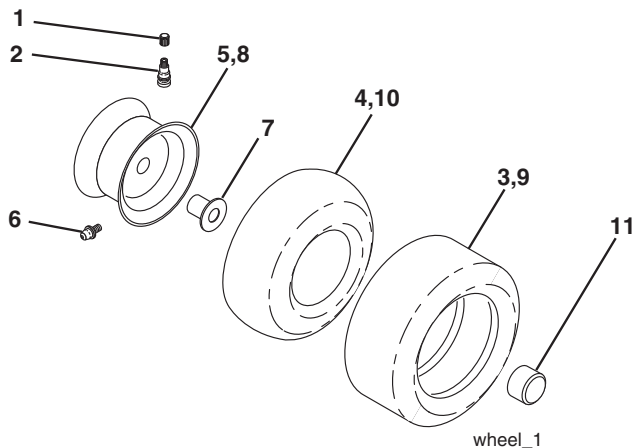
**TRACTOR -- MODEL NO. M175H38RB (96061030700), PRODUCT NO. 960 61 03-07
DECALS 27**



KEY NO.	PART NO.	DESCRIPTION
1	532 40 03-89	Decal, Warning Syms. CE
2	532 43 10-92	Decal, Hp Engine
3	532 43 11-71	Decal, Hood RH/LH
4	532 19 68-41	Decal, Warning Eng. Syms.
5	532 18 78-11	Decal, Deck ENVIRO
6	532 16 88-69	Decal, Tick Mark
7	532 44 26-43	Decal, Ins Strg Whl
8	532 42 87-75	Decal, Dash Lower
9	532 12 44-33	Decal, 80 DBA
10	532 14 50-05	Decal, Bat Dan/Poi P/L Sym Wpn
11	532 18 21-66	Decal, Mower Cut Finger CE
12	532 15 97-37	Decal, Brake/Clutch Symbol Lt

KEY NO.	PART NO.	DESCRIPTION
13	532 16 69-60	Decal, Bypass
14	532 15 97-36	Decal, Chassis Hot Muffler
15	532 43 44-76	Decal, Panel SD
17	532 14 08-37	Decal, Saddle Brake Parking
18	532 43 44-77	Decal, Fender
20	532 16 62-86	Decal, Deck Sch 92 CRD
--	532 13 83-11	Decal, Lift Handle
--	532 18 04-35	Decal, Plate Rear
--	532 18 10-90	Pad Footrest RH
--	532 18 10-91	Pad Footrest LH
--	532 43 45-17	Manual, Owner's English

WHEELS & TIRES

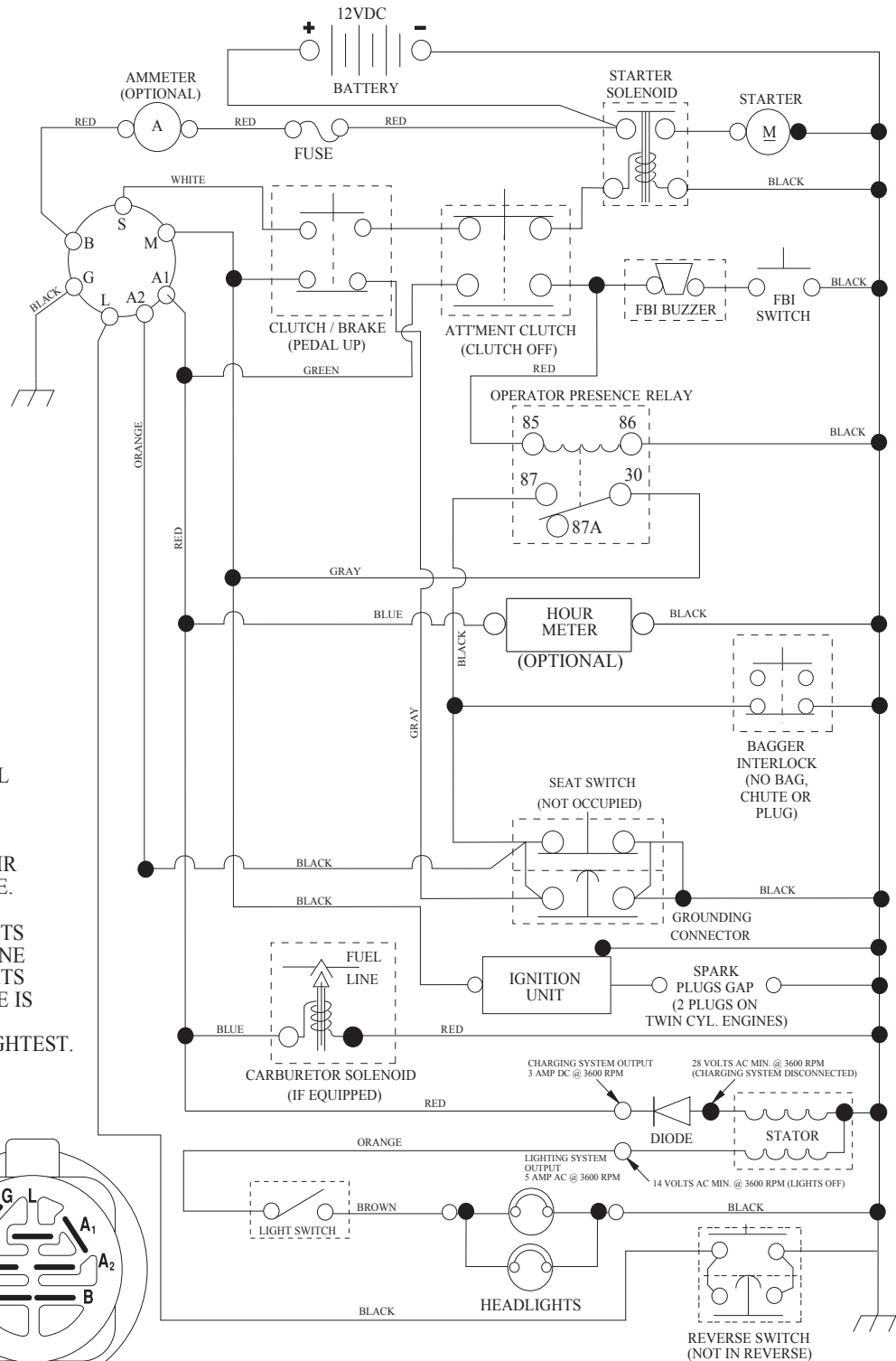


KEY NO.	PART NO.	DESCRIPTION
1	532 05 91-92	Cap Valve Tire
2	532 06 51-39	Stem Valve
3	532 10 62-22	Tire F Ts 15 x 6 0 - 6 Service
4	532 05 99-04	Tube Inner Front #35060
5	532 12 51-21	Rim Asm 6" Front Service
6	532 12 49-57	Fitting Grease
7	532 12 49-59	Bearing Flange
8	532 12 51-22	Rim Asm 8" Rear Service
9	532 13 84-68	Tire R Ts 20 x 8-8 C. Service
10	532 12 49-26	Tube Rear 9 5 x 8 Service
11	532 19 32-68	Cap Axle Blk 1 50 x 1 00
--	532 14 43-34	Sealant, Tire (10 oz. tube)

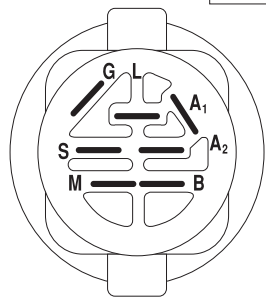
NOTE: All component dimensions given in U.S. inches
1 inch = 25.4 mm

TRACTOR -- MODEL NO. M175H38RB (96061030700), PRODUCT NO. 960 61 03-07 SCHEMATIC **38**

SCH08



NOTE
YOUR TRACTOR IS EQUIPPED WITH A SPECIAL ALTERNATOR SYSTEM. THE LIGHTS ARE NOT CONNECTED TO THE BATTERY, BUT HAVE THEIR OWN ELECTRICAL SOURCE. BECAUSE OF THIS, THE BRIGHTNESS OF THE LIGHTS WILL CHANGE WITH ENGINE SPEED. AT IDLE THE LIGHTS WILL DIM. AS THE ENGINE IS SPEEDED UP, THE LIGHTS WILL BECOME THEIR BRIGHTEST.



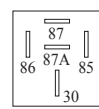
IGNITION SWITCH

POSITION	CIRCUIT "MAKE"
OFF	M+G+A1
RUN/OVERRIDE	B+A1
RUN	B+A1 L+A2
START	B+S+A1

WIRING INSULATED CLIPS
NOTE: IF WIRING INSULATED CLIPS WERE REMOVED FOR SERVICING OF UNIT, THEY SHOULD BE RE-INSTALLED TO PROPERLY SECURE YOUR WIRING.

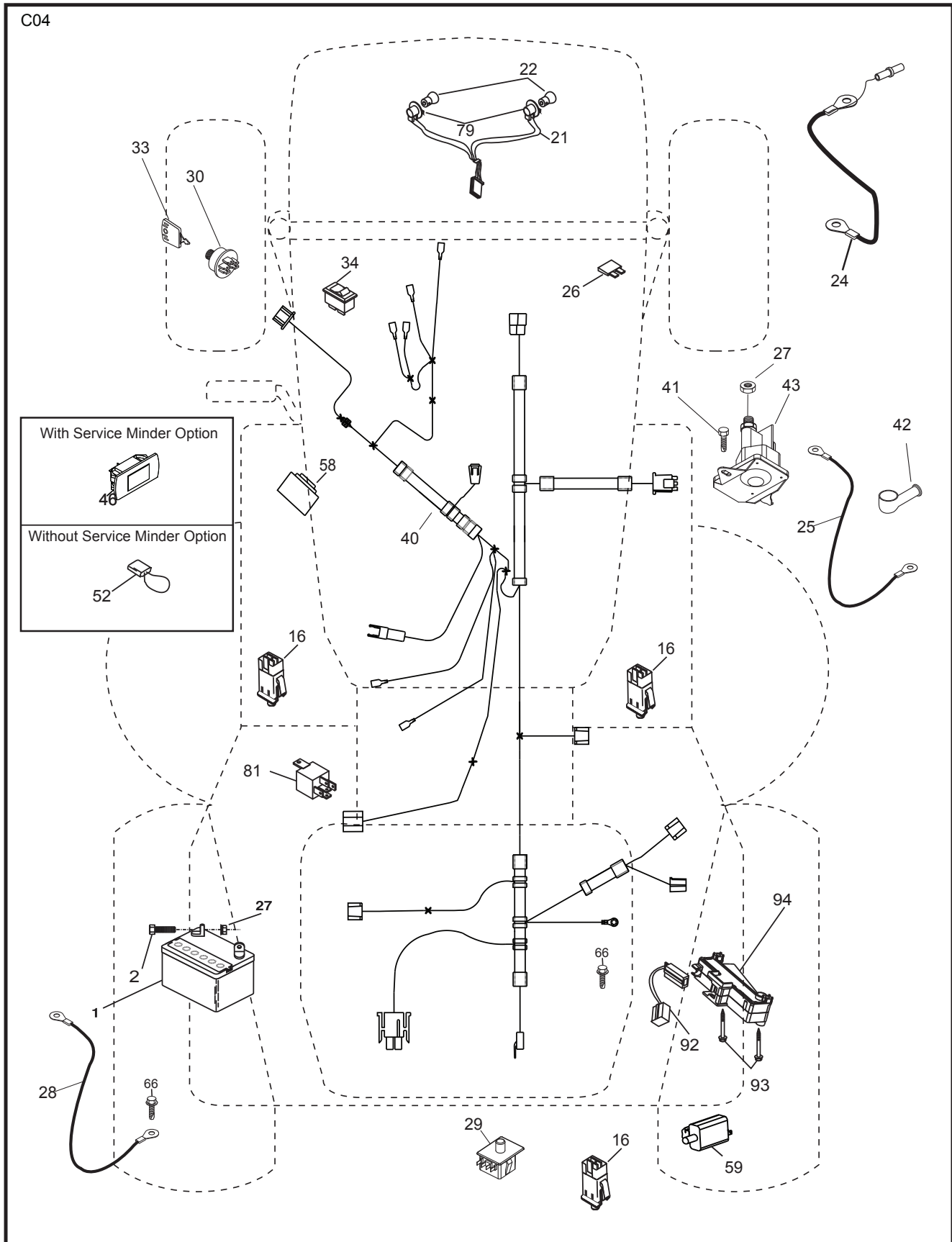
○ REMOVABLE CONNECTIONS

● NON-REMOVABLE CONNECTIONS



RELAY

TRACTOR -- MODEL NO. M175H38RB (96061030700), PRODUCT NO. 960 61 03-07
 ELECTRICAL **32**

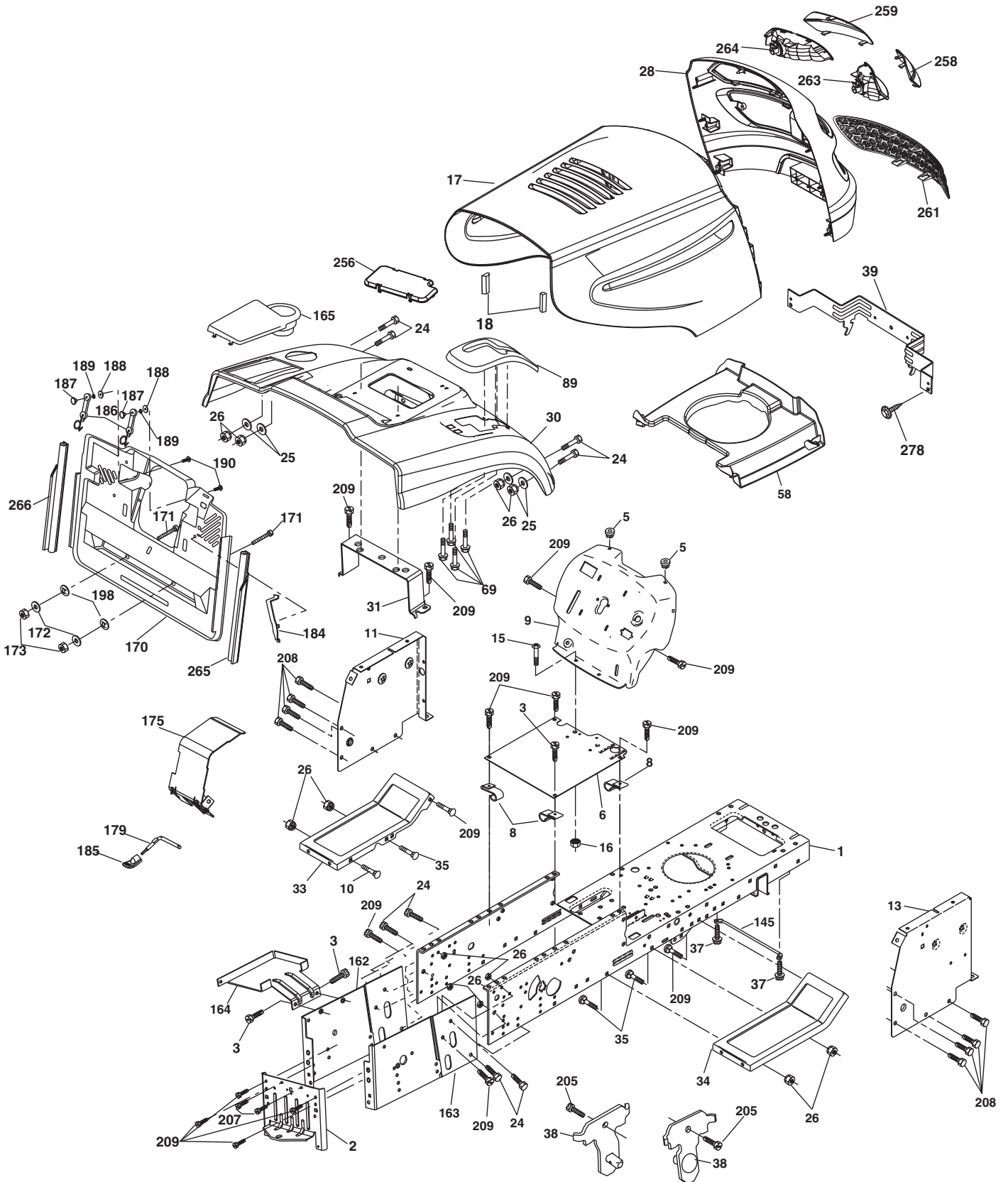


**TRACTOR -- MODEL NO. M175H38RB (96061030700), PRODUCT NO. 960 61 03-07
ELECTRICAL 32**

KEY NO.	PART NO.	DESCRIPTION
1	532 16 34-65	Battery
2	874 76 04-12	Bolt Hex Hd 1/4-20 unc x 3/4
16	532 17 61-38	Switch Interlock
21	532 18 37-59	Harness Asm Light w/4152J
22	532 00 41-52	Bulb Light #1156
24	532 16 59-87	Cable Battery Crd 56" Red
25	532 42 12-99	Cable Starter 6 Ga. 11" Red
26	532 17 51-58	Fuse
27	873 51 04-00	Nut Keps Hex 1/4-20 unc
28	532 12 77-25	Cable Ground 6 Ga. 18" Black
29	532 19 27-49	Switch Seat
30	532 19 33-50	Switch Ignition
33	532 41 19-35	Key/Chain
34	532 11 07-12	Switch Light/Reset B/B/Red
40	532 40 36-20	Harness Ignition
41	871 11 04-08	Bolt Flk Fin Hex 1/4-20 unc x 1/2
42	532 13 15-63	Cover Terminal Red
43	532 19 25-07	Solenoid
46	532 40 17-63	Gauge Service Reminder/Hrmtr Rect
58	532 16 94-19	Buzzer Crd
59	532 18 03-79	Switch FBI CRD
66	817 49 06-08	Screw Thdrol 3/8-16 x 1/2 Ty-Tt
79	532 17 52-42	Socket Asm Bulb Twistlock
81	532 10 97-48	Relay Asm
92	532 19 66-15	Harness Pigtail Console ROS
93	532 19 25-40	Screw Plastite 10-14 x 2.0
94	532 19 18-34	Module Reverse ROS

NOTE: All component dimensions given in U.S. inches
1 inch = 25.4 mm

TRACTOR -- MODEL NO. M175H38RB (96061030700), PRODUCT NO. 960 61 03-07
CHASSIS AND ENCLOSURES **39**



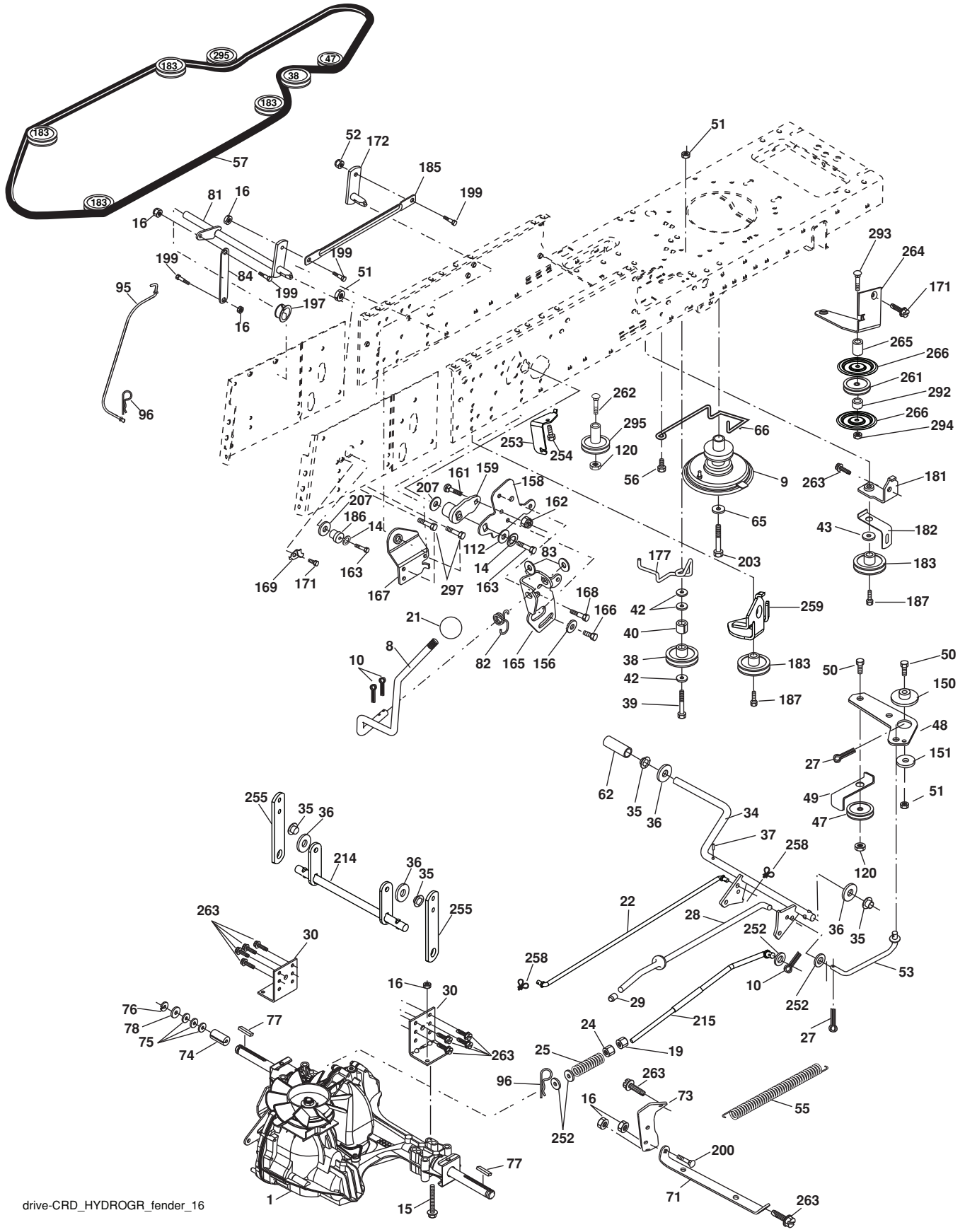
chassis-CRD_Elite SV Pro_1.ai

**TRACTOR -- MODEL NO. M175H38RB (96061030700), PRODUCT NO. 960 61 03-07
CHASSIS AND ENCLOSURES 39**

KEY NO.	PART NO.	DESCRIPTION	KEY NO.	PART NO.	DESCRIPTION
1	532 17 46-20	Chassis	165	532 18 13-56	Cover Battery
2	532 18 03-84	Drawbar	170	532 19 94-88	Backplate CRD
3	817 06 06-12	Screw 3/8-16 x 3/4	171	872 14 06-20	Bolt Rdhd Sqnk 3/8-16 x 2-1/2 Gr. 5
5	532 15 52-72	Bumper Hood/Dash	172	819 13 20-16	Washer 13/32 x 1-1/4 x 16 Ga.
6	532 18 44-19	Saddle	173	873 51 06-00	Nut, Keps Hex 3/8-16 unc
8	532 12 64-71	Clip Insulator 13/32 Mtg. Hole	175	532 18 82-03	Door Trap
9	532 40 51-33	Dash	179	532 18 82-02	Rod Pivot FBI CRD
10	872 14 06-08	Bolt, Carriage 3/8-16 x 3/4	184	532 17 46-62	Bracket Actuator Bagger CRD
11	532 17 49-96	Panel, Dash, LH	185	532 18 11-01	Knob Rod Brake Parking
13	532 18 69-52	Panel, Asm. Dash RH	186	532 16 07-93	Latch Asm Mulch/Bagger
15	874 18 05-12	Screw, Machine, Truss Head 5/16-18 unc x 3/4	187	532 12 50-04	Nut Weld
16	873 51 05-00	Nut	188	819 06 12-16	Washer #10
17	532 19 45-88	Hood	189	810 07 10-00	Washer Lock #10
18	532 18 49-21	Bumper Hood	190	871 08 10-10	Screw Pan Hd Phillip 10-24 x 5/8
24	874 78 06-16	Bolt	198	532 16 89-37	Nut, Push
25	819 13 13-12	Washer 13/32 x 13/16 x 12 Ga.	205	817 49 06-08	Screw Thdrol 3/8-16 x 1/2
26	873 80 06-00	Nut	207	817 67 05-08	Screw Thdrol 5/16-18 x 1/2
28	532 18 97-48	Grille	208	817 67 06-08	Screw Thdrol 3/8-16 x 1/2
30	532 19 73-64	Fender	209	817 00 06-12	Screw Hex Wsh Thdrol 3/8-16
31	532 16 51-56	Bracket, Fender Support	256	532 18 13-61	Cover Fender Rack
33	532 17 97-16	Footrest, L.H.	258	532 18 97-55	Lens Grille RH
34	532 17 97-17	Footrest, R.H.	259	532 18 97-54	Lens Grille LH
35	872 11 06-06	Bolt	261	532 18 97-53	Insert Grille
37	817 49 05-08	Screw Thdrol 5/16-18 x 1/2 TYT	263	532 18 38-33	Bezel Grille RH
38	532 18 17-48	Bracket Asm Pivot Mower Rear	264	532 18 38-32	Bezel Grille LH
39	532 40 78-07	Bracket Pivot	265	532 18 57-04	Seal Side RH Bagger
58	532 18 43-22	Duct Intake	266	532 18 57-03	Seal Side LH Bagger
69	532 14 24-32	Screw Hx Wsh Hi-Lo 1/4-1/2	278	532 41 63-58	Screw #10 x 0.750 BOS Thread
89	532 19 73-66	Console Crd Auto	--	532 00 54-79	Plug, Button
145	532 40 91-67	Rod Pivot Chassis/Hood	--	532 18 78-01	Plug Switch Light
162	532 18 03-82	Bracket Exten Chassis LH CRD			
163	532 18 03-83	Bracket Exten Chassis RH CRD			
164	532 16 56-05	Support Battery CRD			

NOTE: All component dimensions given in U.S. inches
1 inch = 25.4 mm

TRACTOR -- MODEL NO. M175H38RB (96061030700), PRODUCT NO. 960 61 03-07
DRIVE **40**

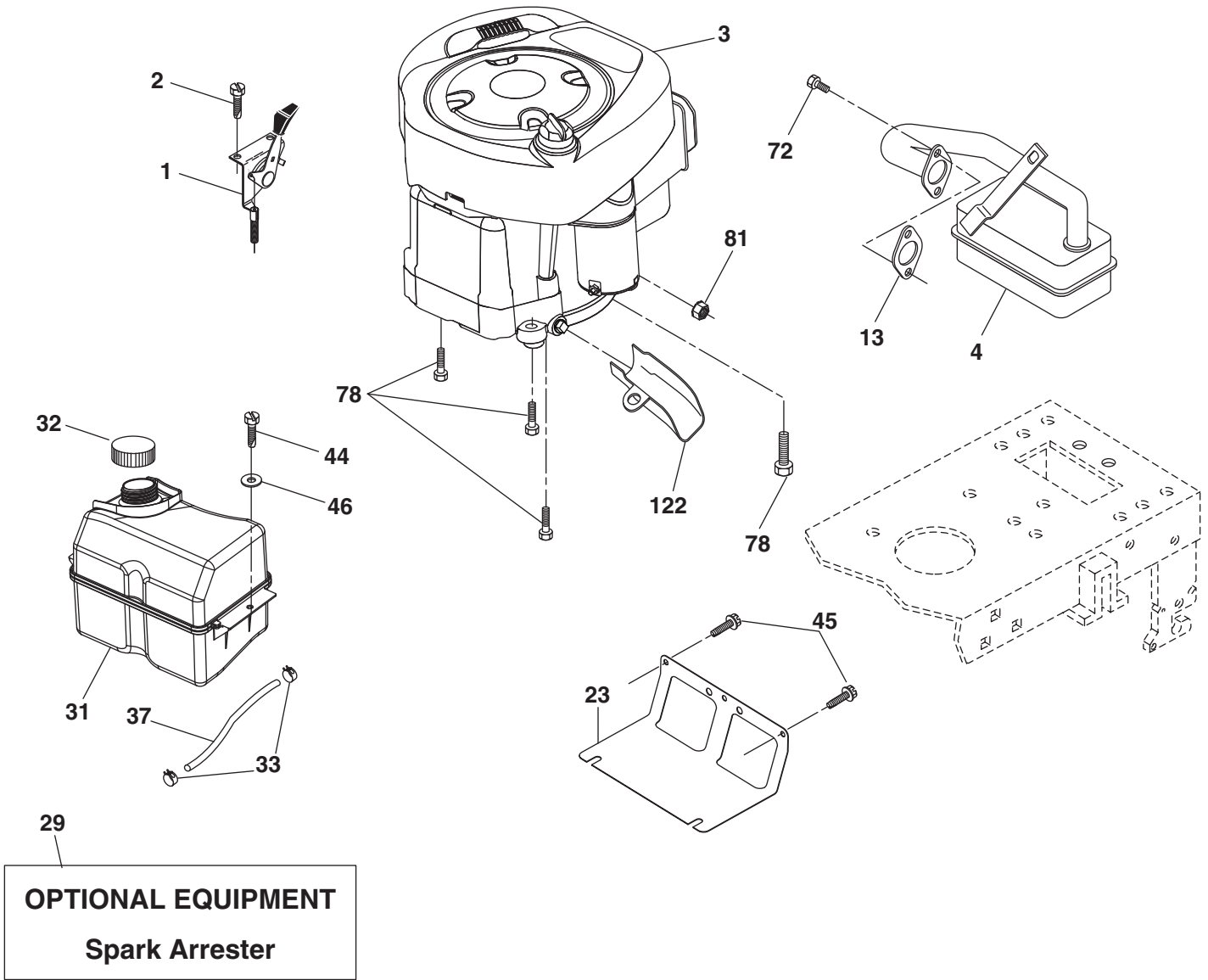


drive-CRD_HYDROGR_fender_16

**TRACTOR -- MODEL NO. M175H38RB (96061030700), PRODUCT NO. 960 61 03-07
DRIVE 40**

KEY NO.	PART NO.	DESCRIPTION	KEY NO.	PART NO.	DESCRIPTION
1	-----	Transaxle Hydro Gear 321-0510	120	873 90 06-00	Nut Lock Flg. 3/8-16 unc
8	532 19 27-06	Rod, Shift Fender Adjust Lt	150	532 16 58-50	Bushing, Bellcrank Grnd Dr
9	532 40 85-79	Clutch Noram	151	819 13 32-10	Washer 13/32 x 2 x 10 Ga.
10	876 02 04-16	Pin, Cotter 1/8 x 1	156	532 16 60-02	Washer Srrted 5/16 ID x 1.125
14	810 04 04-00	Washer, Lock Hvy Helical	158	532 16 55-89	Bracket Shift Mount
15	874 49 05-44	Bolt Hex FGHD 5/16-18 x Gr. 5	159	532 18 39-00	Hub Shift
16	873 80 05-00	Nut Lock Hex W/Ins 5/16-18 unc	161	872 14 04-06	Bolt Rdhd Sqnk 1/4-20 x 3/4 Gr. 5
19	873 80 06-00	Nut Lock Hex w/Insert 3/8-16 unc	162	873 68 04-00	Nut Crownlock 1/4-20 unc
21	532 12 66-39	Knob	163	874 78 04-16	Bolt Hex Fin 1/4-20 unc x 1 Gr 5
22	532 17 56-07	Rod, Brake	165	532 16 56-23	Bracket Pivot Lever
24	873 35 06-00	Nut	166	817 49 05-10	Screw 5/16-18 x 5/8
25	532 19 20-36	Spring, Rod, Brake	167	532 16 55-88	Bracket Support Shift CRD
27	876 02 04-12	Pin, Cotter 1/8 x 3/4	168	532 16 54-92	Bolt Shoulder 5/16-18 x .561
28	532 17 57-65	Rod, Parking Brake	169	532 16 55-80	Plate Fastening Lt
29	532 07 16-73	Cap, Parking Brake	171	817 49 06-08	Screw Thdrol 3/8-16 x 1/2 Ty-Tt
30	532 16 95-92	Bracket, Mfg. Transaxle	172	532 17 02-71	Shaft Asm Shifter Frt CRD
34	532 17 55-78	Shaft, Asm Pedal Foot CRD	177	532 16 59-32	Keeper Flat Idler 3.06" CRD
35	532 12 01-83	Bearing, Nylon	181	532 18 02-11	Bracket Idler Ground Drive CRD
36	819 21 16-16	Washer 21/32 x 1 x 16 Ga.	182	532 18 26-82	Keeper Belt 2.5" Od V-Idler CRD
37	532 12 49-63	Pin, Roll 3/16 x 1"	183	532 19 95-34	Pulley V-Idler 2.50" Od CRD
38	532 16 59-36	Pulley Flat Composite 3.06"	185	532 17 00-08	Link Shift
39	874 76 06-44	Bolt Fin Hex 3/8-16 unc x 2-3/4	186	532 16 56-14	Hub Tapered Round CRD
40	532 12 49-65	Spacer, Split 395 x 59 Bzp	187	817 58 05-20	Screw Thdrol 5/16-18 x 1.25
42	819 13 13-12	Washer 13/32 x 13/16 x 12 Ga.	197	532 16 96-13	Nyliner Snap-In 5/8
43	819 11 10-12	Washer 11/32 x 5/8 x 12 Ga.	199	532 16 96-12	Bolt Shoulder 5/16-18 unc
47	532 12 77-83	Pulley, Idler, V Groove Plasic	200	872 14 05-08	Bolt RDHD SQNK 5/16-18 x 1
48	532 15 44-07	Bellcrank Clutch Grnd Drv	203	871 17 07-80	Bolt Hex 7/16-20 x 5
49	532 12 32-05	Retainer, Belt Style Spring	207	532 16 98-45	Washer Nylon Rear
50	872 11 06-12	Bolt 3/8-16 x 1-1/2 Gr. 5	214	532 17 56-09	Shaft Asm. Brake
51	873 68 06-00	Nut, Crownlock 3/8-16 unc	215	532 17 56-52	Rod Brake Hydro
52	873 68 05-00	Nut Crownlock 5/16-18	252	819 13 16-16	Washer 13/32 x 1 x 16 Ga.
53	532 19 96-52	Link, Clutch 7.66	253	532 17 50-28	Bracket Cable Chassis
55	532 10 57-09	Spring, Return, Clutch	254	817 00 06-16	Screw 3/8-16 x 1
56	817 06 06-20	Screw 3/8-16 x 1-1/4	255	532 17 56-08	Brace Shaft Brake Mtg.
57	532 17 01-40	V-Belt Kev 112" 0650 CRD	258	532 17 80-62	Clip Retainer
62	532 12 48-72	Cover, Pedal	259	532 18 02-12	Bracket Pulley
65	810 04 07-00	Washer	261	532 13 14-94	Pulley Idler
66	532 15 47-78	Keeper, Belt Engine F-Proof	262	872 11 06-22	Bolt Rdhd 3/8-16 unc x 2-3/4 Gr. 5
71	532 16 91-83	Strap, Torque, Lh	263	817 00 06-12	Screw 3/8-16 x 3/4
73	532 16 91-82	Strap, Torque, Rh	264	532 43 11-74	Bracket Idler Chass.
74	532 13 70-57	Spacer, Split	265	532 40 46-07	Spacer
75	532 12 17-49	Washer 25/32 x 1-1/4 x 16 Ga.	266	532 18 20-61	Shield Idler Mower
76	812 00 00-01	Ring, E	292	532 40 02-71	Spacer Noram
77	532 12 35-83	Key, Square	293	872 14 06-28	Bolt Rdhd Sqnk 3/8-16 x 3-1/2
78	532 12 17-48	Washer 25/32 x 1-5/8 x 16 Ga.	294	532 19 70-33	Nut Jam 3/8-16
81	532 17 00-06	Asm, Shaft, Cross Rear	295	532 17 91-14	Pulley Idler Composite
82	532 16 57-11	Spring, Torsion	297	817 49 06-10	Screw Hxwsh Thdr 3/8-16 x 5/8
83	819 17 12-16	Washer 17/32 x 3/4 x 16 Ga.			
84	532 17 00-07	Link, Transaxle			
95	532 17 00-15	Control Asm Bypass Hydro			
96	532 12 47-88	Spring, Retainer 1"			
112	819 09 12-10	Washer 9/32 x 3/4 x 10 Ga.			

NOTE: All component dimensions given in U.S. inches
1 inch = 25.4 mm



engine-CRD_bs_26

**TRACTOR - - MODEL NO. M175H38RB (96061030700), PRODUCT NO. 960 61 03-07
ENGINE 24**

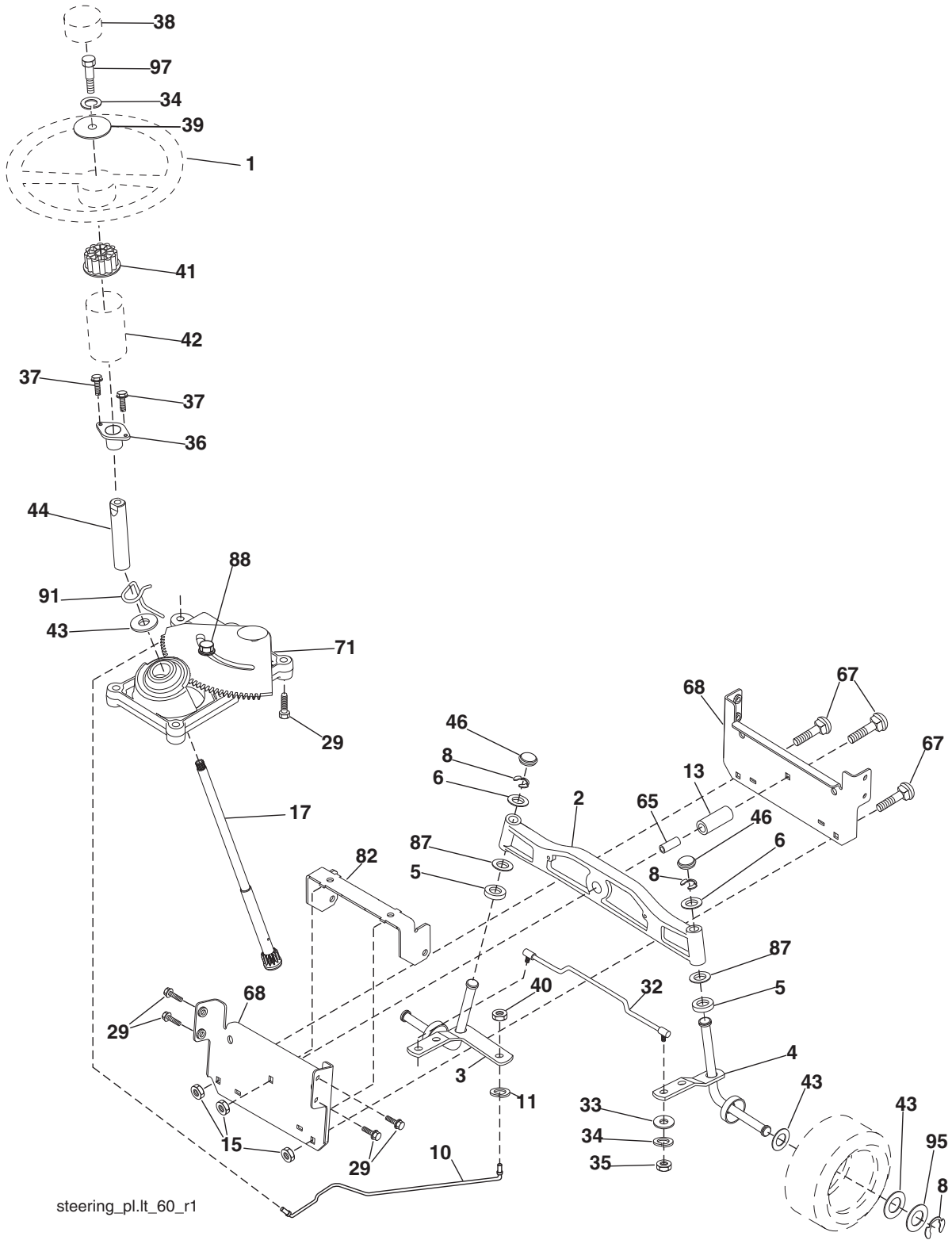
KEY NO.	PART NO.	DESCRIPTION
1	532 17 05-51	Control Throt/Ck
2	817 72 04-08	Screw Hex Thd Cut 1/4-20 x 1/2
3	-----	Engine B&S Model 31C707-0603-B1
4	532 13 73-52	Muffler
13	532 16 52-91	Gasket Muffler
23	532 16 98-37	Shield Brn/Dbr Guard
29	532 13 71-80	Kit Spark Arrestor (Flat Scrn)
31	532 40 75-51	Tank Fuel
32	532 43 02-20	Cap Asm Fuel Top
33	532 12 34-87	Clamp Hose Blk
37	532 13 70-40	Line Fuel
44	817 67 04-12	Screw Hexwsh Thdrol 1/4-20 x 3/4
45	817 00 06-12	Screw Hexwsh Thdr 3/8-16 x 3/4
46	819 09 14-16	Washer 9/32 x 7/8 x 16 Ga.
72	532 19 23-34	Screw Socket Hd 5/16-18 x .75
78	817 06 06-20	Screw 3/8-16 x 1/4
81	873 51 04-00	Nut Keps Hex 1/4-20 unc
122	532 42 19-22	Extension Drain Oil

NOTE: All component dimensions given in U.S. inches
1 inch = 25.4 mm

Engine Power Rating Information

The gross power rating for individual gas engine models is labeled in accordance with SAE (Society of Automotive Engineers) code J1940 (Small Engine Power & Torque Rating Procedure), and rating performance has been obtained and corrected in accordance with SAE J1995 (Revision 2002-05). Torque values are derived at 3060 RPM; horsepower values are derived at 3600 RPM. Actual gross engine power will be lower and is affected by, among other things, ambient operating conditions and engine-to-engine variability. Given both the wide array of products on which engines are placed and the variety of environmental issues applicable to operating the equipment, the gas engine will not develop the rated gross power when used in a given piece of power equipment (actual “on-site” or net power). This difference is due to a variety of factors including, but not limited to, accessories (air cleaner, exhaust, charging, cooling, carburetor, fuel pump, etc.), application limitations, ambient operating conditions (temperature, humidity, altitude), and engine-to-engine variability. Due to manufacturing and capacity limitations, Briggs & Stratton may substitute an engine of higher rated power for this Series engine.

TRACTOR -- MODEL NO. M175H38RB (96061030700), PRODUCT NO. 960 61 03-07
STEERING ASSEMBLY **41**



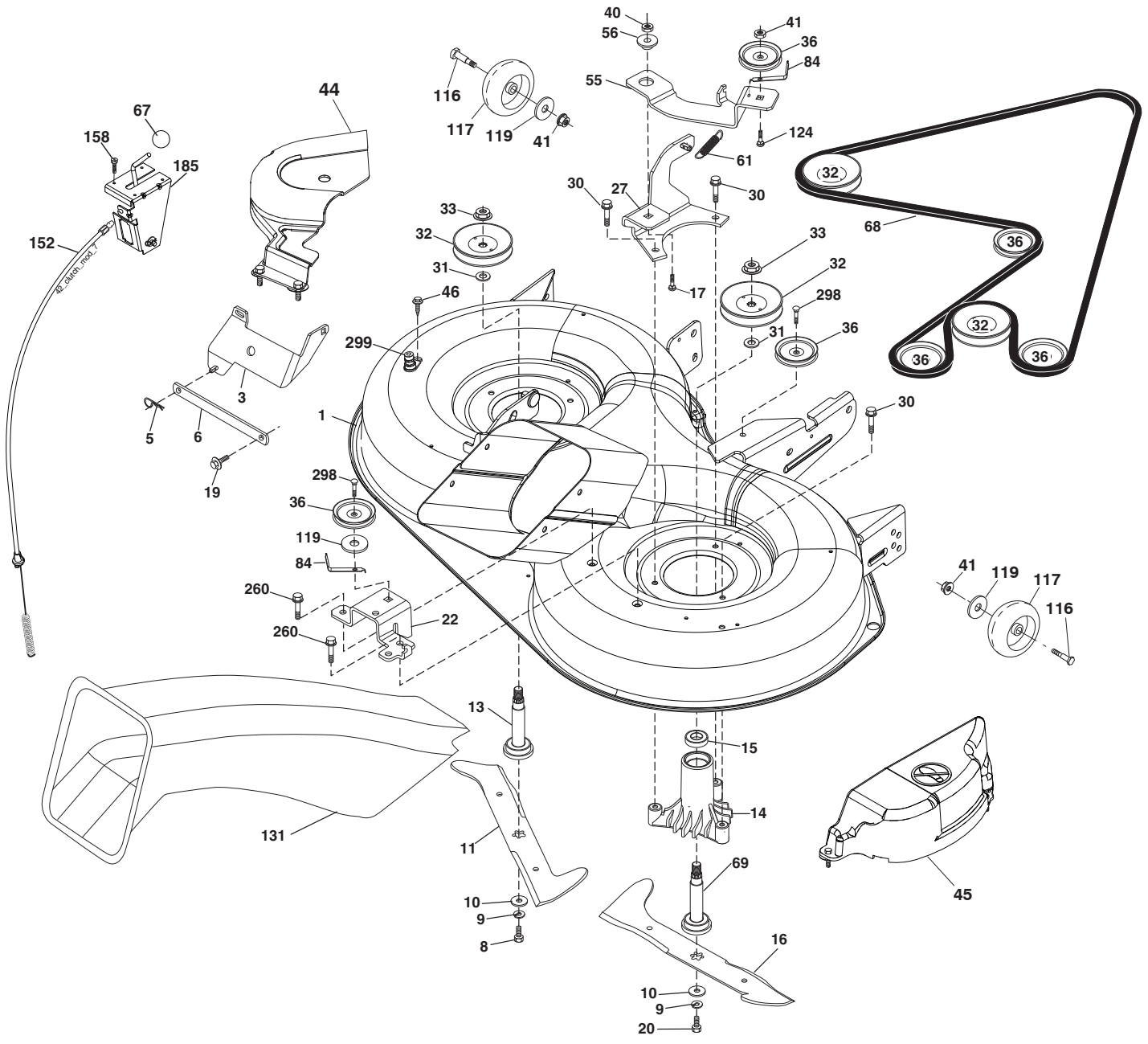
steering_pl.lt_60_r1

**TRACTOR -- MODEL NO. M175H38RB (96061030700), PRODUCT NO. 960 61 03-07
STEERING ASSEMBLY 41**

KEY NO.	PART NO.	DESCRIPTION
1	532 19 46-37	Steering Wheel
2	532 18 47-06	Front Axle Assembly
3	532 16 98-40	Spindle Assembly, LH
4	532 16 98-39	Spindle Assembly, RH
5	532 12 49-31	Bearing, Race, Thrust, Hardened
6	532 12 17-48	Washer 25/32 x 1-5/8 x 16 Ga.
8	812 00 00-29	Ring, Clip
10	532 17 51-21	Link, Drag
11	810 04 06-00	Washer, Lock
13	532 13 65-18	Spacer Axle
15	873 90 06-00	Nut Flange Lock
17	532 19 07-53	Shaft Assembly, Steering
29	817 00 06-12	Screw 3/8-16 x 3/4
32	532 17 01-62	Rod, Tie
33	819 11 12-16	Washer 11/32 x 3/4 x 16 Ga.
34	810 04 05-00	Washer Lock Hvy Hlcl Spr 5/16
35	873 54 05-00	Crownlock Nut 5/16-24 unf
36	532 15 50-99	Bushing, Steering
37	532 15 29-27	Screw TT #10-32 x 5 x 3/8 Flange
38	532 19 46-03	Cap Wheel Steering
39	819 11 38-12	Washer 11/32 ID x 2-3/8 OD 12 Ga.
40	873 54 06-00	Nut Crownlock 3/8-24
41	532 18 67-37	Adaptor, Steering Wheel
42	532 16 96-33	Boot, Steering Dash P/L Mtl
43	532 12 17-49	Washer 25/32 x 1-1/4 x 16 Ga.
44	532 19 07-52	Extension Steering
46	532 12 12-32	Cap, Spindle
65	532 41 47-36	Spacer Axle Brace
67	872 11 06-18	Bolt Rdhd Sq 3/8-16 x 2-1/4
68	532 16 98-27	Brace Axle
71	532 17 51-46	Steering Asm.
82	532 19 99-78	Bracket Susp. Chassis Front
87	532 17 39-66	Washer Flat .781 x 1-1/2 x .14
88	532 17 51-18	Bolt Shoulder 7/16-20 unc
91	532 17 55-53	Clip Steering
95	532 18 89-67	Washer Hardened .739 x 1.637 x 060
97	532 42 89-82	Bolt 5/16-18 x 4 w/Patch

NOTE: All component dimensions given in U.S. inches
1 inch = 25.4 mm

TRACTOR -- MODEL NO. M175H38RB (96061030700), PRODUCT NO. 960 61 03-07
MOWER DECK 44



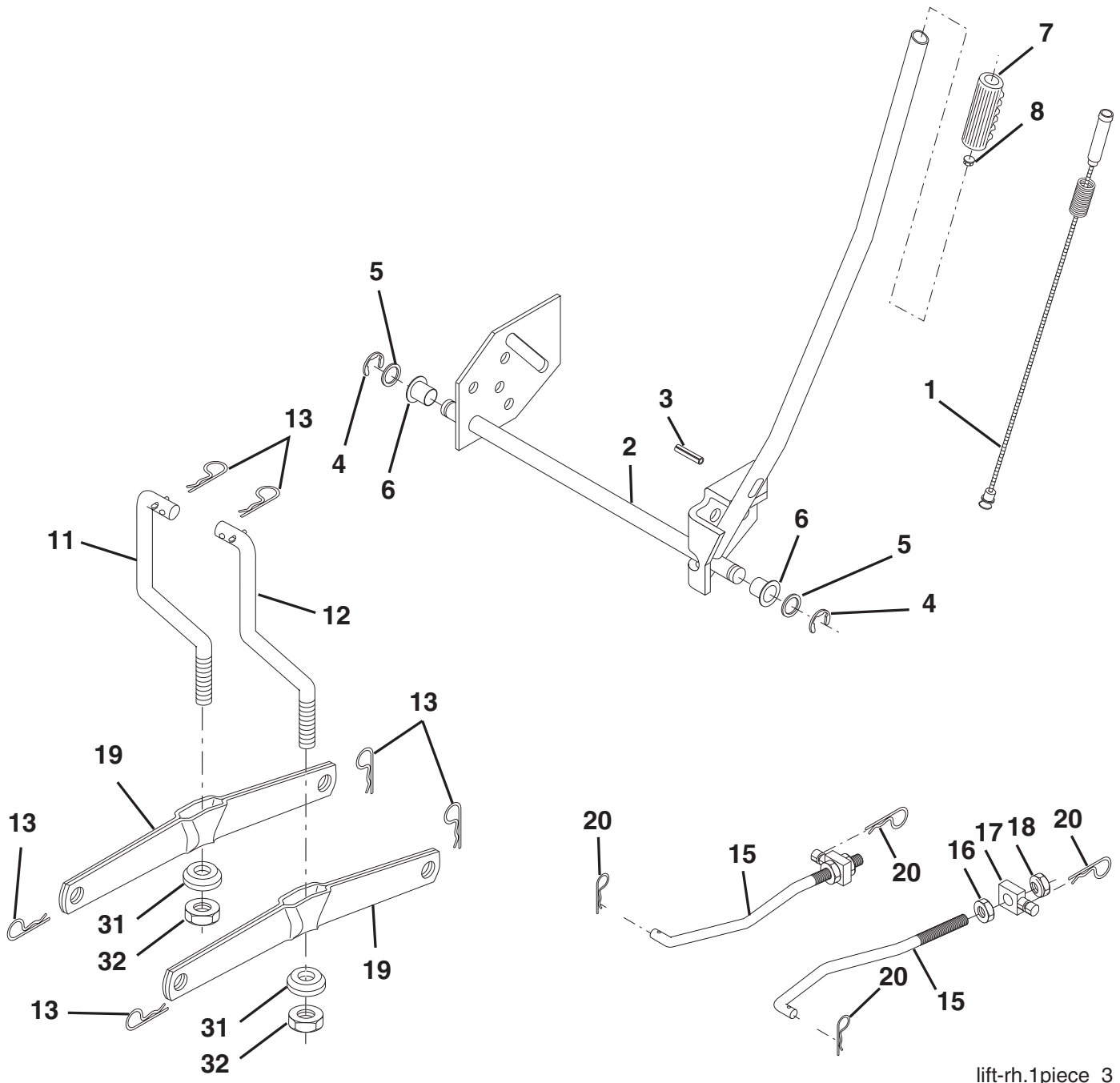
Deck-CRD_97cm_Elect_1_r5

**TRACTOR -- MODEL NO. M175H38RB (96061030700), PRODUCT NO. 960 61 03-07
MOWER DECK 44**

KEY NO.	PART NO.	DESCRIPTION	KEY NO.	PART NO.	DESCRIPTION
1	532 42 91-21	Housing Asm. Mower	61	532 19 94-86	Spring Tension
3	532 43 18-64	Bracket Asm. S-Bar Chass	67	532 10 69-32	Knob
5	532 12 46-70	Retainer Spring	68	532 42 95-32	Belt Mower
6	532 16 55-57	Bar Sway	69	532 16 54-82	Shaft Asm w/Lwr Brg RH Thd
8	532 18 17-12	Bolt 3/8-24 x 1.25 Gr. 8 Patched	84	532 15 60-85	Keeper Belt Idler
9	810 03 06-00	Washer Lock Hvy 3/8 Unplated	116	532 19 34-06	Bolt Shoulder 3/8-16 x 3-5/8 Gr. 5
10	532 14 02-96	Washer Hard Blade	117	532 17 48-73	Wheel Gage
11	532 42 79-84	Blade 3-1 LH	119	819 13 20-12	Washer 13/32 x 1-1/4 x 12 Ga.
13	532 13 76-45	Shaft Asm. w/Lower Bearing	124	872 11 06-12	Bolt Carr Sh 3/8-16 x 1-1/2 Gr. 5
14	532 12 87-74	Housing Mandrel Vented (Machd)	131	532 16 56-61	Chute Bagger CRD 92cm
15	532 11 04-85	Bearing Ball Mandrel	152	532 17 60-74	Cable Clutch
16	532 42 79-85	Blade 3-1 RH	158	817 72 04-08	Screw 1/4-20 x 1/2
17	872 14 06-10	Bolt Carriage 3/8-16 x 1-1/4	185	532 18 82-34	Head Asm Cable Clutch
19	532 13 28-27	Bolt Shoulder 5/16-18 Thd Form	260	817 67 06-08	Screw Thdrol 3/8-16 x 1/2
20	532 18 17-13	Bolt 3/8-24 x 1.25 Gr. 8 Ptch	298	817 49 06-28	Nut Lock Flg 3/8-16 unc
22	532 43 11-69	Bracket Idler Sprt RR	299	532 41 55-98	Port Washout
27	532 42 79-81	Bracket Asm. Susp RR	--	532 18 18-57	Mandrel Assembly (Includes hous- ing, shaft assembly, and bearing only - pulley/nut/washer and blade bolt/washers not included)
30	532 17 39-84	Screw Thd Rolling Dod.PT Hex	--	532 18 18-58	Mandrel Asm CRD LH Threads VC
31	532 18 76-90	Washer Spacer Mower Vented	--	532 43 34-84	Replacement Mower Complete
32	532 15 35-32	Mandrel Pulleys			
33	532 40 02-34	Nut Flg Top Lock			
36	532 14 67-63	Pulley Idler V-Groove Dim 4.25			
40	873 68 06-00	Nut Crownlock 3/8-16 unc			
41	873 90 06-00	Nut Flangelock 3/8-16 unc			
44	532 43 49-46	Cover Mandrel LH			
45	532 44 14-79	Cover Mandrel RH			
46	532 13 77-29	Screw			
55	532 19 94-98	Arm Idler			
56	532 16 57-23	Spacer Retainer			

NOTE: All component dimensions given in U.S. inches
1 inch = 25.4 mm

**TRACTOR -- MODEL NO. M175H38RB (96061030700), PRODUCT NO. 960 61 03-07
MOWER LIFT 45**



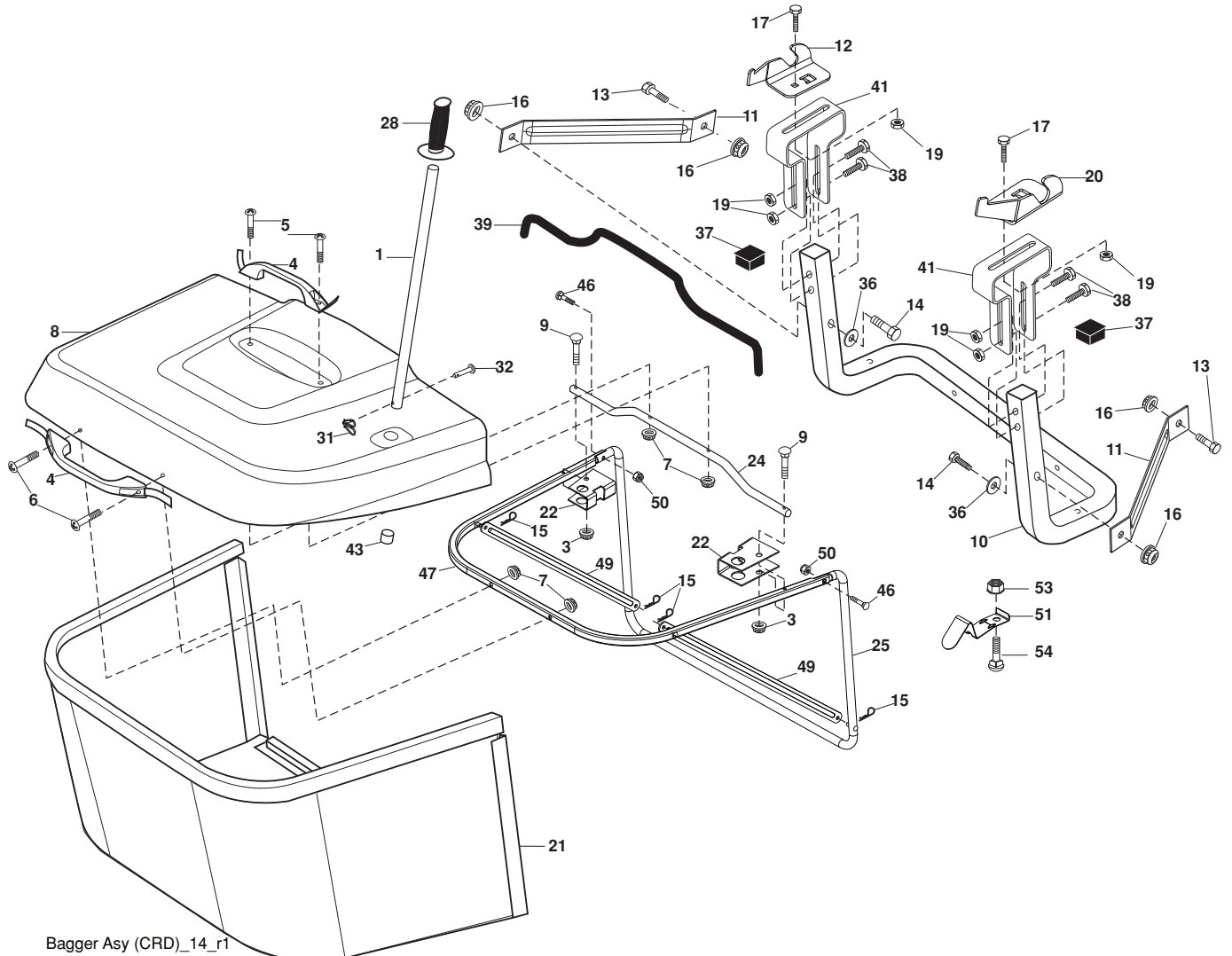
lift-rh.1piece_3

KEY NO.	PART NO.	DESCRIPTION
1	532 40 50-07	Plunger Asm. Lift LVR
2	532 19 80-70	Shaft Asm. Lift
3	532 18 88-22	Pin Groove
4	812 00 00-02	E Ring #5133-62
5	819 21 16-21	Washer 21/32 x 1 x 21 Ga.
6	532 12 01-83	Bearing Nylon
7	532 10 94-13	Grip Handle Bicycle
8	532 17 07-70	Button Plunger Yellow
11	532 13 98-65	Link Asm Lift L.H.
12	532 13 98-66	Link Asm Lift R.H.
13	532 12 46-70	Retainer Spring

KEY NO.	PART NO.	DESCRIPTION
15	532 17 32-88	Link Front
16	873 35 08-00	Nut Jam Hex 1/2-13 unc
17	532 17 56-89	Trunnion Blk Zinc
18	873 80 08-00	Nut Lock w/wsh 1/2-13 unc
19	532 13 98-68	Arm Suspension Mower
20	532 19 42-09	Retainer Spring
31	532 16 98-65	Bearing, Pvt. Lift.
32	873 54 06-00	Nut Crownlock 3/8-24

NOTE: All component dimensions given in U.S. inches
1 inch = 25.4 mm

**TRACTOR -- MODEL NO. M175H38RB (96061030700), PRODUCT NO. 960 61 03-07
BAGGER 46**

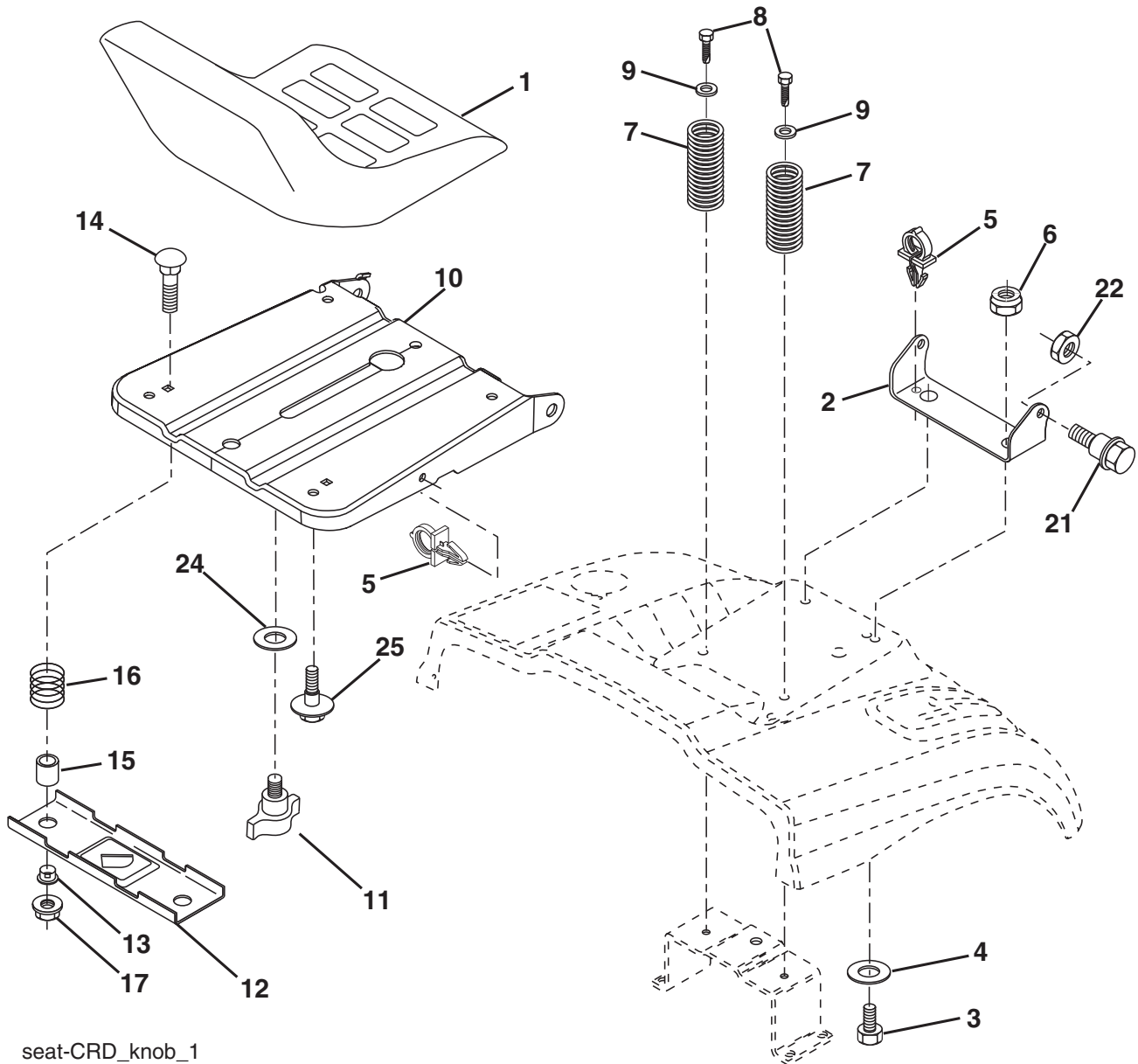


Bagger Asy (CRD)_14_r1

KEY NO.	PART NO.	DESCRIPTION	KEY NO.	PART NO.	DESCRIPTION
1	532 42 86-10	Tube Handle Bagger CRD	25	532 19 37-05	Tube Front Bagger CRD
3	532 12 39-76	Nut Lock 1/4 Lge Flg Gr. 5 Zinc	28	532 16 57-87	Grip Handle
4	532 16 99-16	Handle Bagger w/Lvrs Blk CRD	31	532 16 94-84	Retainer Clip
5	874 98 10-24	Screw Pan Head #10-24 x 1.50	32	532 12 68-75	Rivet Rd Hd Drilled 3/8 Dia.
6	874 98 10-32	Screw Pan Hd	36	819 13 20-12	Washer 13/32 x 1-1/4 x 12 Ga.
7	873 40 10-00	Nut Wiz Lock Hex Serr/Hd 10-24	37	532 17 54-01	Plug Support Bagger CRD
8	532 18 25-14	Cover Bagger	38	872 01 05-20	Bolt 5/16-18 x 2-1/2
9	872 14 04-18	Bolt Carr. 1/4-20 x 2.25d x Gr. 5	39	532 41 62-57	Seal
10	532 18 12-82	Tube Support Bagger CRD	41	532 43 27-55	Bracket Pnt Adj Pvt Bagger CRD
11	532 16 57-19	Bracket Support Upper Bag CRD	43	532 17 40-83	Plug Tubing End
12	532 18 88-48	Bracket Pivot LH	46	872 11 05-10	Bolt carr 5/16-18 x 1-1/4 Gr. 5
13	874 76 06-12	Bolt Fin Hex 3/8-16 unc x 3/4	47	532 19 37-04	Tube Upper
14	874 52 06-36	Bolt RDHD SQNK 3/8-16x2-1/4 Gr. 5	49	532 19 33-05	Bar Spreader
15	532 12 46-70	Retainer Spring	50	873 80 05-00	Nut Lock Hx w/Insert 5/16-18 unc
16	873 90 06-00	Nut Lock Flg 3/8-16 unc	51	532 19 99-03	Latch Spring
17	872 14 05-06	Bolt Rdhd Sht Sqnk 5/16-18 unc x 3/4	53	873 51 04-00	Nut Keps Hex 1/4-20 unc
19	873 90 05-00	Nut Lock Hex Flange 5/16-18	54	872 14 04-06	Bolt Rdhd Sqnk 1/4-20 x 3/4 Gr. 5
20	532 18 88-47	Bracket Pivot RH			
21	532 40 61-80	Bag Asm CRD			
22	532 42 82-36	Bracket Side Bagger CRD			
24	532 16 57-83	Tube Pivot Bagger CRD			

NOTE: All component dimensions given in U.S. inches
1 inch = 25.4 mm

TRACTOR -- MODEL NO. M175H38RB (96061030700), PRODUCT NO. 960 61 03-07
SEAT ASSEMBLY 42



seat-CRD_knob_1

KEY NO.	PART NO.	DESCRIPTION
1	532 18 87-13	Seat
2	532 14 05-51	Bracket Pnt Pivot Seat (blk)
3	871 11 06-16	Bolt Fin Hex 3/8-16 x 1
4	819 13 16-10	Washer Flat 13/32 x 1 x 10 Ga.
5	532 14 50-06	Clip Push In Hinged
6	873 80 06-00	Nut Lock Hex W/Ins 3/8-16
7	532 12 41-81	Spring Seat Cprsn 2 250 Blk Zi
8	817 00 06-16	Screw 3/8-16 x 1.5
9	819 13 16-14	Washer 13/32 x 1 x 14 Ga.
10	532 19 55-30	Pan Pnt Seat (blk)
11	532 16 63-69	Knob Seat
12	532 17 46-48	Bracket Pnt Mounting Switch

KEY NO.	PART NO.	DESCRIPTION
13	532 12 12-48	Bushing Snap Blk Nyl 50 Id
14	872 05 04-12	Bolt Rdhd Sht Nk 1/4-20 x 1-1/2
15	532 13 43-00	Spacer Split
16	532 12 12-50	Spring Cprsn
17	532 12 39-76	Nut Lock 1/4 Lge Flg Gr. 5 Zinc
21	532 17 18-52	Bolt Shoulder 5/16-18 unc-2A
22	873 80 05-00	Nut Hex Lock w/Ins 5/16-18
24	819 17 19-12	Washer 17/32 x 1-3/16 x 12 Ga.
25	532 12 70-18	Bolt Shoulder 5/16-18 x .62

NOTE: All component dimensions given in U.S. inches.
 1 inch = 25.4 mm

