

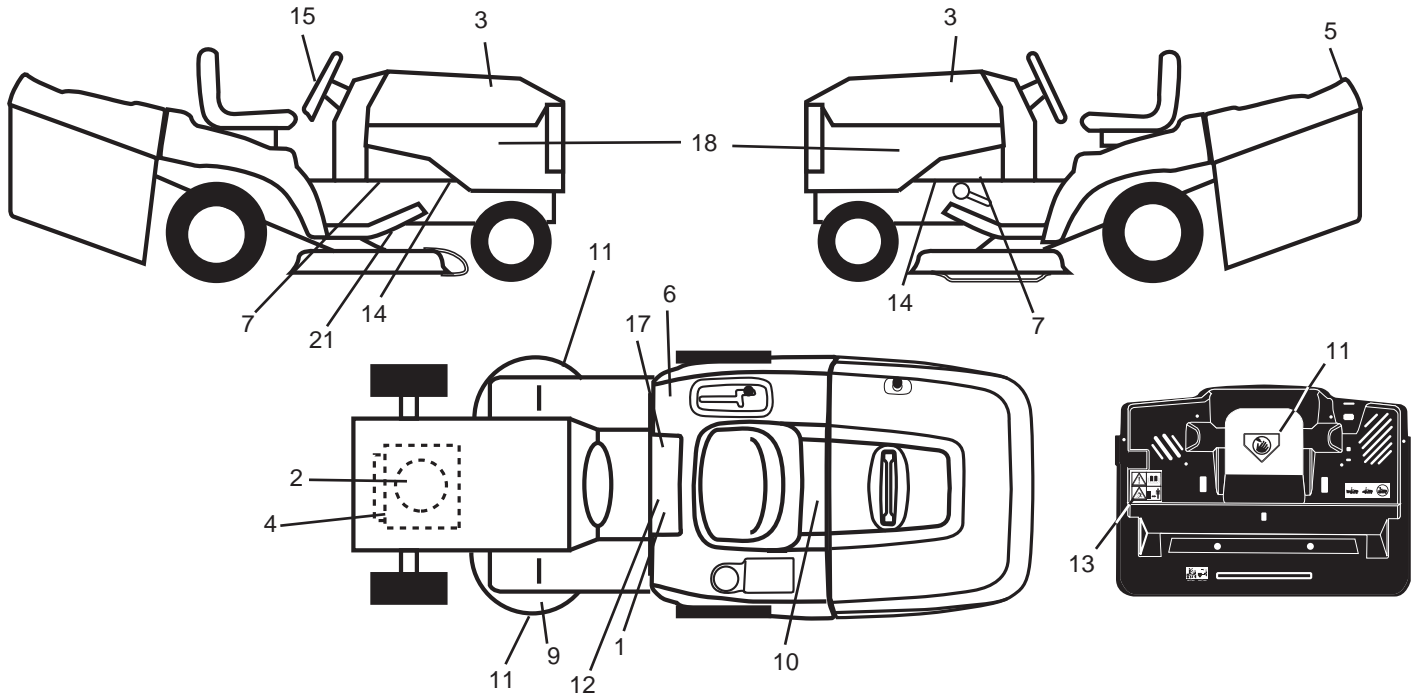
# **ILLUSTRATED PARTS LIST**

**MODEL NO. 96061010105**

**CUSTOMER CATALOG NO. M13592RB**

**PRODUCT NO. 960 61 01-01**

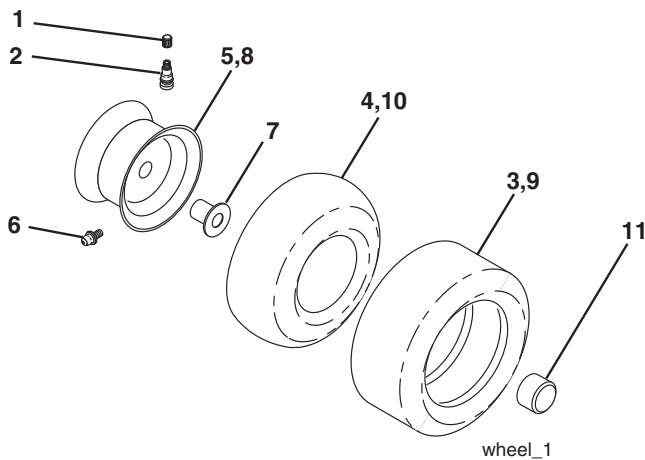
**TRACTOR -- MODEL NO. M13592RB (96061010105), PRODUCT NO. 960 61 01-01  
DECALS 27**



| KEY NO. | PART NO.     | DESCRIPTION                    |
|---------|--------------|--------------------------------|
| 1       | 532 40 03-89 | Decal, Warning Syms. CE        |
| 2       | 532 41 79-28 | Decal, Hp Engine               |
| 3       | 532 43 11-71 | Decal, Hood RH/LH              |
| 4       | 532 19 68-41 | Decal, Warning Eng. Syms.      |
| 5       | 532 40 84-57 | Decal, Fndr                    |
| 6       | 532 18 04-32 | Decal, 100 DBA/CE              |
| 7       | 532 40 11-46 | Decal, Warning Service Fire    |
| 9       | 532 18 78-11 | Decal, Mower Enviro            |
| 10      | 532 14 50-05 | Decal, Bat Dan/Poi P/L Sym Wpn |
| 11      | 532 18 21-66 | Decal, Mower Cut Finger CE     |
| 12      | 532 15 97-37 | Decal, Brake/Clutch Symbol LT  |

| KEY NO. | PART NO.     | DESCRIPTION                 |
|---------|--------------|-----------------------------|
| 13      | 532 18 04-35 | Decal, Warn Back Plate CRD  |
| 14      | 532 15 97-36 | Decal, Chassis Hot Muffler  |
| 15      | 532 40 82-02 | Decal, Steering Wheel       |
| 17      | 532 14 08-37 | Decal, Saddle Brake Parking |
| 18      | 532 40 84-58 | Decal, Side Panel           |
| 21      | 532 16 62-86 | Decal, Hex Belt Sch 92 CRD  |
| --      | 532 13 83-11 | Decal, Lift Handle          |
| --      | 532 18 10-91 | Pad Footrest LH             |
| --      | 532 18 10-90 | Pad Footrest RH             |
| --      | 532 41 08-91 | Manual Operator's (Euro)    |

**WHEELS & TIRES**



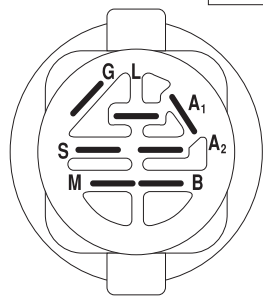
| KEY NO. | PART NO.     | DESCRIPTION                          |
|---------|--------------|--------------------------------------|
| 1       | 532 05 91-92 | Cap Valve Tire                       |
| 2       | 532 06 51-39 | Stem Valve                           |
| 3       | 532 10 62-22 | Tire F Ts 15 x 6 0 - 6               |
| 4       | 532 05 99-04 | Tube Inner Front #35060              |
| 5       | 532 12 51-21 | Rim Asm 6" Front                     |
| 6       | 532 12 49-57 | Fitting Grease                       |
| 7       | 532 12 49-59 | Bearing Flange                       |
| 8       | 532 12 51-22 | Rim Asm 8" Rear                      |
| 9       | 532 42 05-31 | Tire Rear 18 x 9.5-8 "Turf Saver LT" |
| 10      | 532 12 49-26 | Tube Rear 9 5 x 8                    |
| 11      | 532 17 50-39 | Cap Axle Blk 1 50 x 1 00             |
| --      | 532 14 43-34 | Sealant, Tire (10 oz. Tube)          |

**NOTE:** All component dimensions given in U.S. inches  
1 inch = 25.4 mm

# TRACTOR - - MODEL NO. M13592RB (96061010105), PRODUCT NO. 960 61 01-01 SCHEMATIC **38**

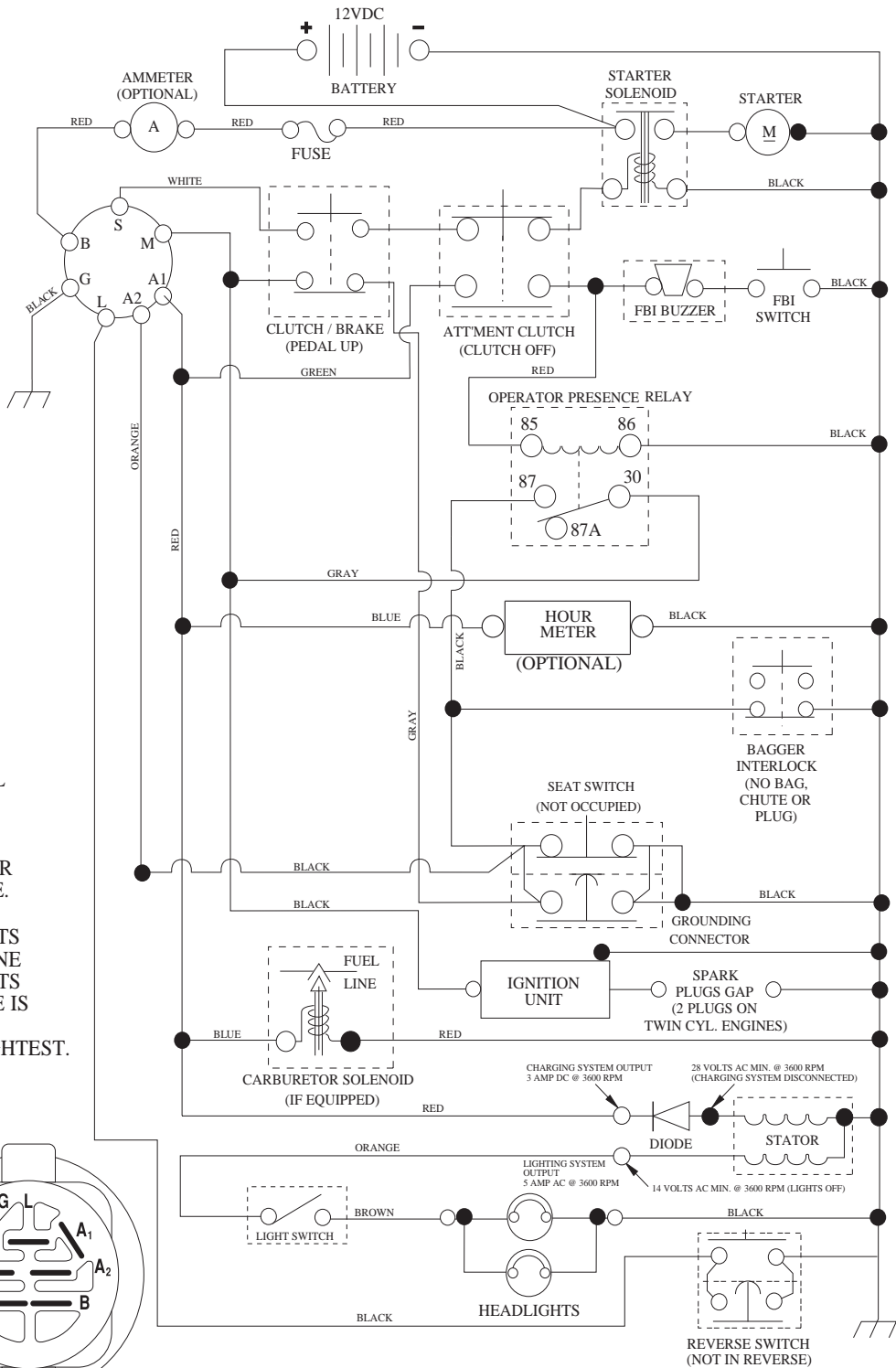
SCH08

**NOTE**  
YOUR TRACTOR IS EQUIPPED WITH A SPECIAL ALTERNATOR SYSTEM. THE LIGHTS ARE NOT CONNECTED TO THE BATTERY, BUT HAVE THEIR OWN ELECTRICAL SOURCE. BECAUSE OF THIS, THE BRIGHTNESS OF THE LIGHTS WILL CHANGE WITH ENGINE SPEED. AT IDLE THE LIGHTS WILL DIM. AS THE ENGINE IS SPEEDED UP, THE LIGHTS WILL BECOME THEIR BRIGHTEST.

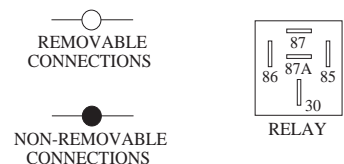


IGNITION SWITCH

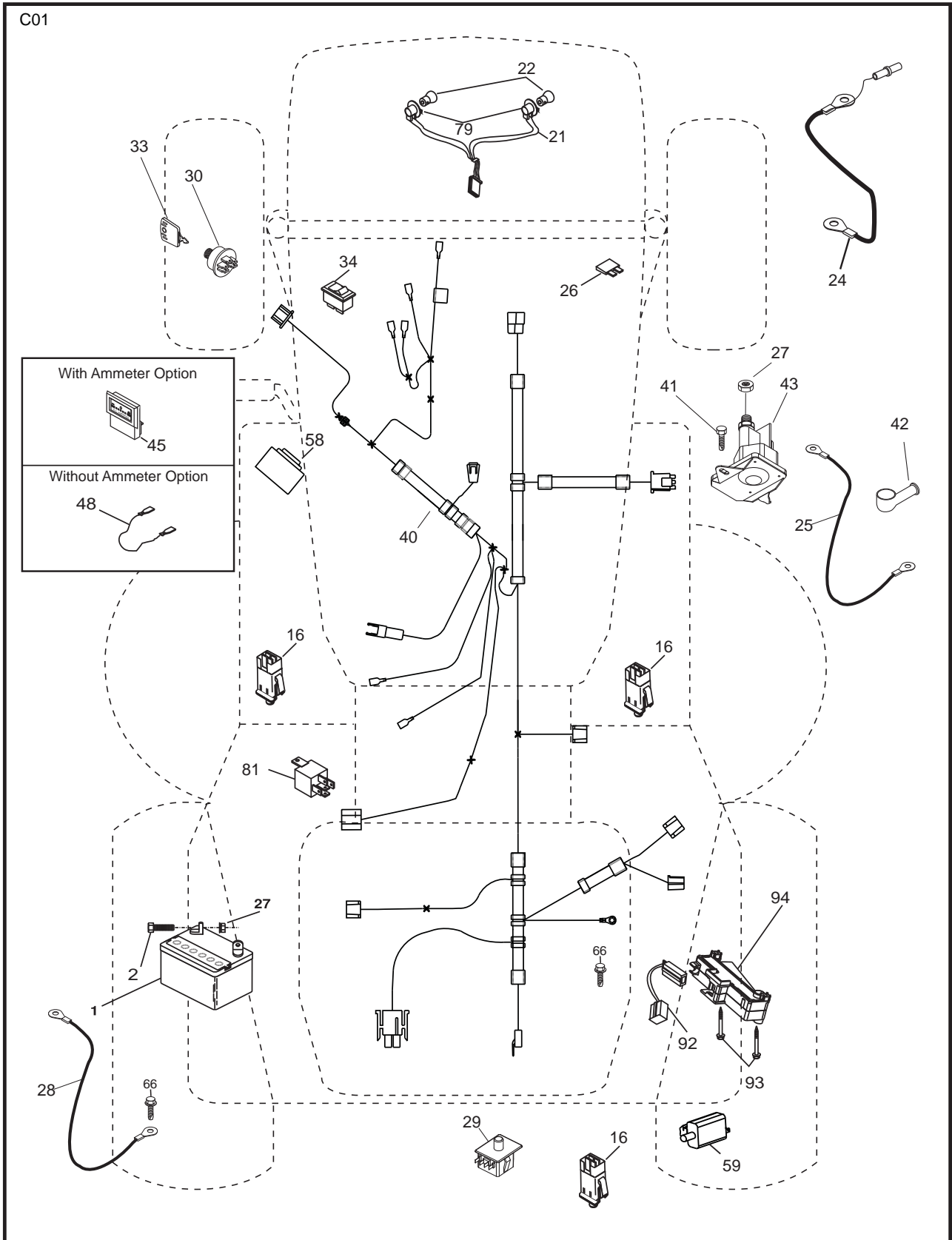
| POSITION     | CIRCUIT    | "MAKE" |
|--------------|------------|--------|
| OFF          | M+G+A1     |        |
| RUN/OVERRIDE | B+A1       |        |
| RUN          | B+A1       | L+A2   |
| START        | B + S + A1 |        |



**WIRING INSULATED CLIPS**  
NOTE: IF WIRING INSULATED CLIPS WERE REMOVED FOR SERVICING OF UNIT, THEY SHOULD BE RE-INSTALLED TO PROPERLY SECURE YOUR WIRING.



TRACTOR -- MODEL NO. M13592RB (96061010105), PRODUCT NO. 960 61 01-01  
 ELECTRICAL **32**



**TRACTOR - - MODEL NO. M13592RB (96061010105), PRODUCT NO. 960 61 01-01  
ELECTRICAL 32**

| <b>KEY NO.</b> | <b>PART NO.</b>     | <b>DESCRIPTION</b>                |
|----------------|---------------------|-----------------------------------|
| 1              | 532 16 34-65        | Battery                           |
| 2              | 874 76 04-12        | Bolt Hex Hd 1/4-20 unc x 3/4      |
| 16             | 532 17 61-38        | Switch Interlock Push-In          |
| 21             | 532 18 37-59        | Harness Asm. Light                |
| 22             | 532 00 41-52        | Bulb Light #1156                  |
| 24             | <b>532 42 12-99</b> | Cable Starter 6 Ga. 11" Red       |
| 25             | 532 16 59-87        | Cable Battery CRD 56" Red         |
| 26             | 532 17 51-58        | Fuse 20 Amp                       |
| 27             | 873 51 04-00        | Nut Keps Hex 1/4-20 unc           |
| 28             | 532 12 77-25        | Cable Ground 6 Ga. 18" Black      |
| 29             | 532 19 27-49        | Switch Seat                       |
| 30             | 532 19 33-50        | Switch Ignition                   |
| 33             | 532 41 19-35        | Key/Chain                         |
| 34             | 532 11 07-12        | Switch Light/Reset                |
| 40             | 532 19 74-36        | Harness Ign                       |
| 41             | 871 11 04-08        | Bolt Flk Fin Hex 1/4-20 unc x 1/2 |
| 42             | 532 13 15-63        | Cover Terminal Red                |
| 43             | 532 19 25-07        | Solenoid                          |
| 48             | 532 14 08-44        | Adapter Ammeter                   |
| 58             | 532 16 94-19        | Buzzer CRD                        |
| 59             | 532 18 03-79        | Switch FBI CRD                    |
| 66             | 817 49 06-08        | Screw Thdrol 3/8-16 x 1/2 Ty-Tt   |
| 79             | 532 17 52-42        | Socket Asm Bulb                   |
| 81             | 532 10 97-48        | Relay Asm                         |
| 92             | 532 19 66-15        | Harness Pigtail                   |
| 93             | 532 19 25-40        | Screw Plastite 10-14 x 2.0        |
| 94             | 532 19 18-34        | Module Reverse ROS                |

**NOTE:** All component dimensions given in U.S. inches.  
1 inch = 25.4 mm.

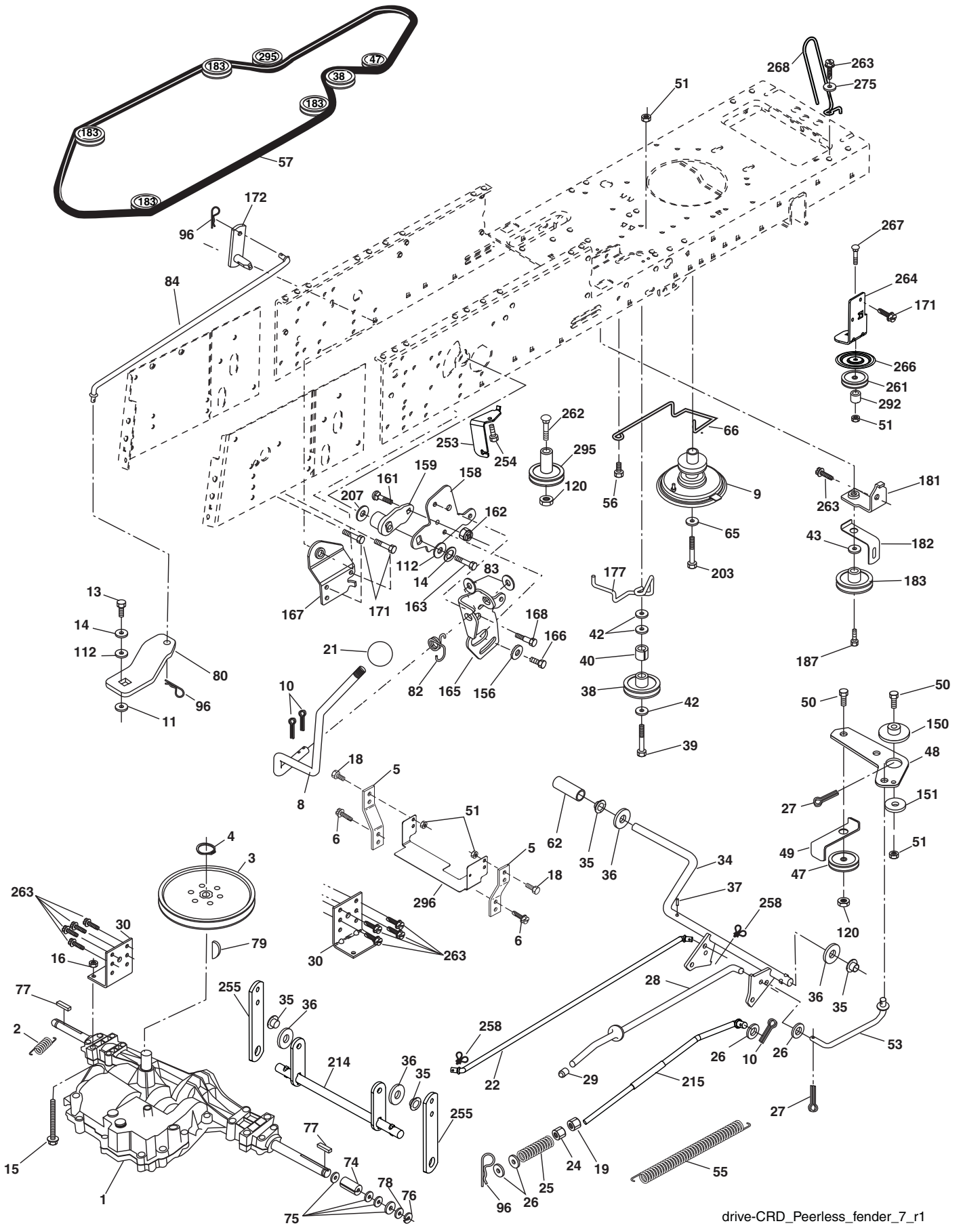


**TRACTOR - - MODEL NO. M13592RB (96061010105), PRODUCT NO. 960 61 01-01  
CHASSIS AND ENCLOSURES **39****

| <b>KEY NO.</b> | <b>PART NO.</b>     | <b>DESCRIPTION</b>                                  | <b>KEY NO.</b> | <b>PART NO.</b> | <b>DESCRIPTION</b>                  |
|----------------|---------------------|---|----------------|-----------------|-------------------------------------|
| 1              | 532 17 46-20        | Chassis   | 165            | 532 18 13-56    | Cover Battery CRD LT                |
| 2              | 532 18 03-84        | Drawbar   | 170            | 532 19 94-88    | Backplate CRD                       |
| 3              | 817 06 06-12        | Screw 3/8-16 x .75                                  | 171            | 872 14 06-20    | Bolt Rdhd Sqnk 3/8-16 x 2-1/2 Gr. 5 |
| 5              | 532 15 52-72        | Bumper Hood/Dash                                    | 172            | 819 13 20-16    | Washer 13/32 x 1-1/4 x 16 Ga.       |
| 6              | 532 18 44-19        | Saddle  | 173            | 873 51 06-00    | Nut, Keps Hex 3/8-16 unc            |
| 8              | 532 12 64-71        | Clip Insulator 13/32 Mtg. Hole                      | 175            | 532 18 82-03    | Trap Door CRD                       |
| 9              | 532 19 46-88        | Dash  | 179            | 532 18 82-02    | Rod Pivot FBI CRD                   |
| 10             | 872 14 06-08        | Bolt, Carriage 3/8-16 x 3/4                         | 184            | 532 17 46-62    | Bracket Actuator Bagger CRD         |
| 11             | 532 17 49-96        | Panel, Dash, L.H.                                   | 185            | 532 18 11-01    | Knob Rod                            |
| 13             | 532 18 69-52        | Panel, Asm. Dash R.H.                               | 186            | 532 16 07-93    | Latch Asm Multch Bagger             |
| 15             | 874 18 05-12        | Screw, Machine, Truss Head<br>5/16-18 unc x 3/4     | 187            | 532 12 50-04    | Nut Weld .327/.304 #10-24           |
| 16             | 873 51 05-00        | Nut   | 188            | 819 06 12-16    | Washer #10                          |
| 17             | 532 18 65-80        | Hood Assembly                                       | 189            | 810 07 10-00    | Washer Lock #10                     |
| 18             | 532 18 49-21        | Bumper Hood   | 190            | 871 08 10-10    | Screw Pan Hd Phillips 10-24 x 5/8   |
| 24             | 874 78 06-16        | Bolt  | 198            | 532 16 89-37    | Nut Push                            |
| 25             | 819 13 13-12        | Washer 13/32 x 13/16 x 12 Ga.                       | 205            | 817 49 06-08    | Screw 3/8-16 x 1/2                  |
| 26             | 873 80 06-00        | Nut   | 207            | 817 67 05-08    | Screw THDROL 5/16-18 x 1/2          |
| 28             | 532 40 82-98        | Grille Lens Asm<br>(Key#'s 258, 259, 261, 263, 264) | 208            | 817 67 06-08    | Screw Thdrol 3/8-16 x 1/2           |
| 30             | 532 19 73-64        | Fender  | 209            | 817 00 06-12    | Screw Hex Wsh Thdrol 3/8-16 x 3/4   |
| 31             | 532 16 51-56        | Bracket, Fender Support                             | 256            | 532 18 13-61    | Cover Fender Rack CRD               |
| 33             | 532 18 25-07        | Footrest, L.H.                                      | 258            | 532 18 97-55    | Lens Grille RH                      |
| 34             | 532 18 25-08        | Footrest, R.H.                                      | 259            | 532 18 97-54    | Lens Grille LH                      |
| 35             | 872 11 06-06        | Bolt  | 261            | 532 18 97-53    | Insert Grille                       |
| 37             | 817 49 05-08        | Screw Thdrol 5/16-18 x 1/2 TYT                      | 263            | 532 18 38-33    | Bezel Grille RH                     |
| 38             | 532 18 17-48        | Bracket Asm Pivot Mower Rear                        | 264            | 532 18 38-32    | Bezel Grille LH                     |
| 39             | 532 40 78-07        | Bracket Pivot                                       | 265            | 532 18 57-04    | Seal Side RH Bagger                 |
| 69             | 532 14 24-32        | Screw Hex 1/4-1/2                                   | 266            | 532 18 57-03    | Seal Side LH Bagger                 |
| 89             | 532 19 73-39        | Console   | 278            | 532 41 63-58    | Screw #10 x 0.750                   |
| 141            | <b>873 90 06-00</b> | Nut Lock Flg. 3/8-16 unc                            | 307            | 532 42 09-19    | Shield Chassis Front                |
| 145            | 532 40 91-67        | Rod Pivot Hood                                      | --             | 532 00 54-79    | Plug, Button                        |
| 162            | 532 18 03-82        | Bracket Exten Chassis LH CRD                        |                |                 |                                     |
| 163            | 532 18 03-83        | Bracket Exten Chassis RH CRD                        |                |                 |                                     |
| 164            | 532 16 56-05        | Support Battery CRD                                 |                |                 |                                     |

**NOTE:** All component dimensions given in U.S. inches.  
1 inch = 25.4 mm.

TRACTOR -- MODEL NO. M13592RB (96061010105), PRODUCT NO. 960 61 01-01  
DRIVE **40**



drive-CRD\_Peerless\_fender\_7\_r1

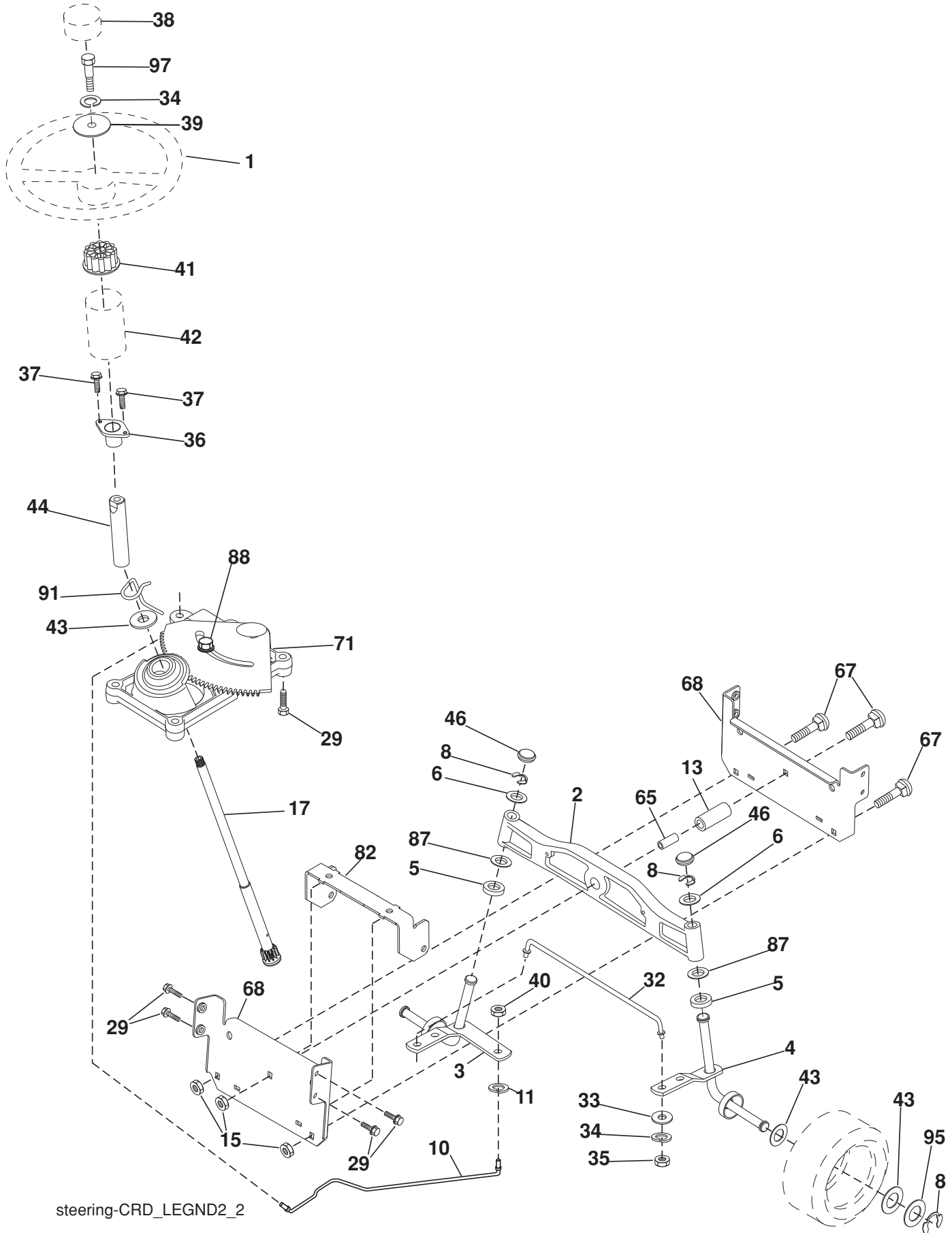


**TRACTOR - - MODEL NO. M13592RB (96061010105), PRODUCT NO. 960 61 01-01  
DRIVE **40****

| KEY NO. | PART NO.            | DESCRIPTION   | KEY NO. | PART NO.            | DESCRIPTION                        |
|---------|---------------------|---|---------|---------------------|------------------------------------|
| 1       | -----               | Transaxle <b>Peerless 206-546</b> (Order parts from transaxle manufacturer) | 78      | 532 12 17-48        | Washer 25/32 x 1-5/8 x 16 Ga.      |
| 2       | 532 14 66-82        | Spring Brake Return   | 79      | 532 12 50-96        | Key Woodruff                       |
| 3       | 532 16 59-99        | Pulley Transaxle  | 80      | 532 14 50-90        | Arm Shift PMST 20" Tires           |
| 4       | 812 00 00-28        | Ring Retainer #5100-62  | 82      | 532 16 57-11        | Spring, Torsion                    |
| 5       | 532 12 15-20        | Strap Torque 30 Degrees   | 83      | 819 17 12-16        | Washer 17/32 x 3/4 x 16 Ga.        |
| 6       | 817 06 05-12        | Screw 5/16-18 x 3/4   | 84      | <b>532 16 56-21</b> | Link Shift                         |
| 8       | 532 19 27-06        | Rod Shift Fender  | 96      | 532 12 47-88        | Spring, Retainer 1"                |
| 9       | 532 40 85-79        | Clutch Noram  | 112     | 819 09 12-10        | Washer 9/32 x 3/4 x 10 Ga.         |
| 10      | 876 02 04-16        | Pin, Cotter 1/8 x 1   | 120     | 873 90 06-00        | Nut Lock 3/8-16                    |
| 11      | 532 10 57-01        | Washer Plate Shf .3888 sq. Hole   | 150     | 532 16 58-50        | Bushing, Bellcrank Grnd Dr         |
| 13      | 874 55 04-12        | Bolt 1/4-28 unf Gr. 8 w/Patch   | 151     | 819 13 32-10        | Washer 13/32 x 2 x 10 Ga.          |
| 14      | 810 04 04-00        | Washer, Lock Hvy Helical  | 156     | 532 16 60-02        | Washer Srrd 5/16 ID x 1.125        |
| 15      | 874 49 05-44        | Bolt Hex FGHD 5/16-18 x Gr. 5   | 158     | 532 16 55-89        | Bracket Shift Mount                |
| 16      | 873 80 05-00        | Nut, Lock Hex w/Ins 5/16-18 unc   | 159     | 532 18 39-00        | Hub Tapered Flange Shift Lt        |
| 18      | 874 78 06-16        | Bolt Hex 3/8-16 unc x 1 Gr. 5   | 161     | 872 14 04-06        | Bolt Rdhd Sqnk 1/4-20 x 3/4 Gr. 5  |
| 19      | 873 80 06-00        | Nut, Lock Hex w/Wsh 3/8-16 unc  | 162     | 873 68 04-00        | Nut Crownlock 1/4-20 unc           |
| 21      | 532 10 69-33        | Knob Round 1/2-13 unc Blk   | 163     | 874 78 04-16        | Bolt Hex Fin 1/4-20 unc x 1 Gr. 5  |
| 22      | 532 17 56-07        | Rod, Brake CRD Main   | 165     | 532 16 56-23        | Bracket Pivot Lever                |
| 24      | 873 35 06-00        | Nut   | 166     | 817 49 05-10        | Screw 5/16-18 x 5/8                |
| 25      | 532 10 68-88        | Spring, Rod, Brake  | 167     | 532 16 55-88        | Bracket Support Shift CRD          |
| 26      | 819 13 13-16        | Washer 13/32 x 13/16 x 16 Ga.   | 168     | 532 16 54-92        | Bolt Shoulder 5/16-18 x .561       |
| 27      | 876 02 04-12        | Pin, Cotter 1/8 x 3/4   | 171     | 817 49 06-08        | Screw Thdrol 3/8-16 x 1/2 Ty-Tt    |
| 28      | 532 17 57-65        | Rod, Parking Brake  | 172     | <b>532 16 56-35</b> | Shaft Asm Shift                    |
| 29      | 532 07 16-73        | Cap, Parking Brake  | 177     | 532 16 59-32        | Keeper Flat Idler 3.06" CRD        |
| 30      | 532 17 49-73        | Bracket, Mfg. Transaxle   | 181     | 532 18 02-11        | Bracket Idler Ground Drive CRD     |
| 34      | 532 17 55-78        | Shaft, Asm Pedal Foot CRD   | 182     | 532 18 26-82        | Keeper Belt 2.5" Od V-Idler CRD    |
| 35      | 532 12 01-83        | Bearing, Nylon  | 183     | 532 19 95-32        | Pulley V-Idler CRD                 |
| 36      | 819 21 16-16        | Washer 21/32 x 1 x 16 Ga.   | 187     | 817 58 05-20        | Screw 5/16-18 x 1.25               |
| 37      | 532 12 49-63        | Pin, Roll 3/16 x 1"   | 203     | 871 17 07-80        | Bolt Hex 7/16-20 x 5               |
| 38      | 532 16 59-36        | Pulley, Flat  | 207     | 532 16 98-45        | Washer Nylon                       |
| 39      | 874 76 06-44        | Bolt Fin Hex 3/8-16 unc x 2-3/4   | 214     | 532 17 56-09        | Shaft Asm. Brake                   |
| 40      | 532 12 49-65        | Spacer, Split 395 x 59 Bzp  | 215     | 532 41 01-42        | Rod Brake Secondary                |
| 42      | 819 13 13-12        | Washer 13/32 x 13/16 x 12 Ga.   | 253     | 532 17 50-28        | Bracket Cable Chassis              |
| 43      | 819 11 10-12        | Washer 11/32 x 5/8 x 12 Ga.   | 254     | 817 00 06-16        | Screw 3/8-16 x 1.0                 |
| 47      | 532 12 77-83        | Pulley, Idler, V Groove Plastic   | 255     | 532 17 56-08        | Brace Shaft Brake                  |
| 48      | 532 15 44-07        | Bellcrank Clutch Grnd Drv   | 258     | 532 17 80-62        | Clip Retainer                      |
| 49      | 532 12 32-05        | Retainer, Belt Style Spring   | 261     | 532 13 14-94        | Pulley Idler Flat                  |
| 50      | 872 11 06-12        | Bolt Carr SH 3/8-16 x 1-1/2 Gr. 5   | 262     | 872 11 06-22        | Bolt RDHD 3/8-16 unc x 2-2/4 Gr. 5 |
| 51      | 873 68 06-00        | Nut, Crownlock 3/8-16 unc   | 263     | 817 00 06-12        | Screw Hxwsh Thdr 3/8-16 x 3/4      |
| 53      | 532 19 96-52        | Link, Clutch 7.66   | 264     | 532 19 76-08        | Bracket Clutch Mtg.                |
| 55      | 532 10 57-09        | Spring, Return, Clutch  | 266     | 532 18 20-61        | Shield Idler                       |
| 56      | 817 06 06-20        | Screw 3/8-16 x 1-1/4  | 267     | <b>872 14 06-26</b> | Bolt RDHD SQNK 3/8-16 x 3-1/4      |
| 57      | <b>532 16 56-31</b> | V-Belt, Drive   | 268     | 532 18 24-02        | Guard Muffler OHV B&S RH           |
| 62      | 532 12 48-72        | Cover, Pedal  | 275     | 819 13 16-14        | Washer 13/32 x 1 x 14 Ga.          |
| 65      | 810 04 07-00        | Washer  | 292     | <b>532 40 46-07</b> | Spacer Noram                       |
| 66      | 532 15 47-78        | Keeper, Belt Engine F-Proof   | 295     | 532 17 91-14        | Pulley Idler composite Ext. Hub    |
| 74      | <b>532 13 70-57</b> | Spacer Axle   | 296     | 532 42 09-20        | Shield Chassis Rear                |
| 75      | 532 12 17-49        | Washer 25/32 x 1-1/4 x 16 Ga.   |         |                     |                                    |
| 76      | 812 00 00-01        | Ring, E   |         |                     |                                    |
| 77      | 532 12 35-83        | Key, Square   |         |                     |                                    |

NOTE: All component dimensions given in U.S. inches  
1 inch = 25.4 mm

TRACTOR -- MODEL NO. M13592RB (96061010105), PRODUCT NO. 960 61 01-01  
STEERING ASSEMBLY **41**



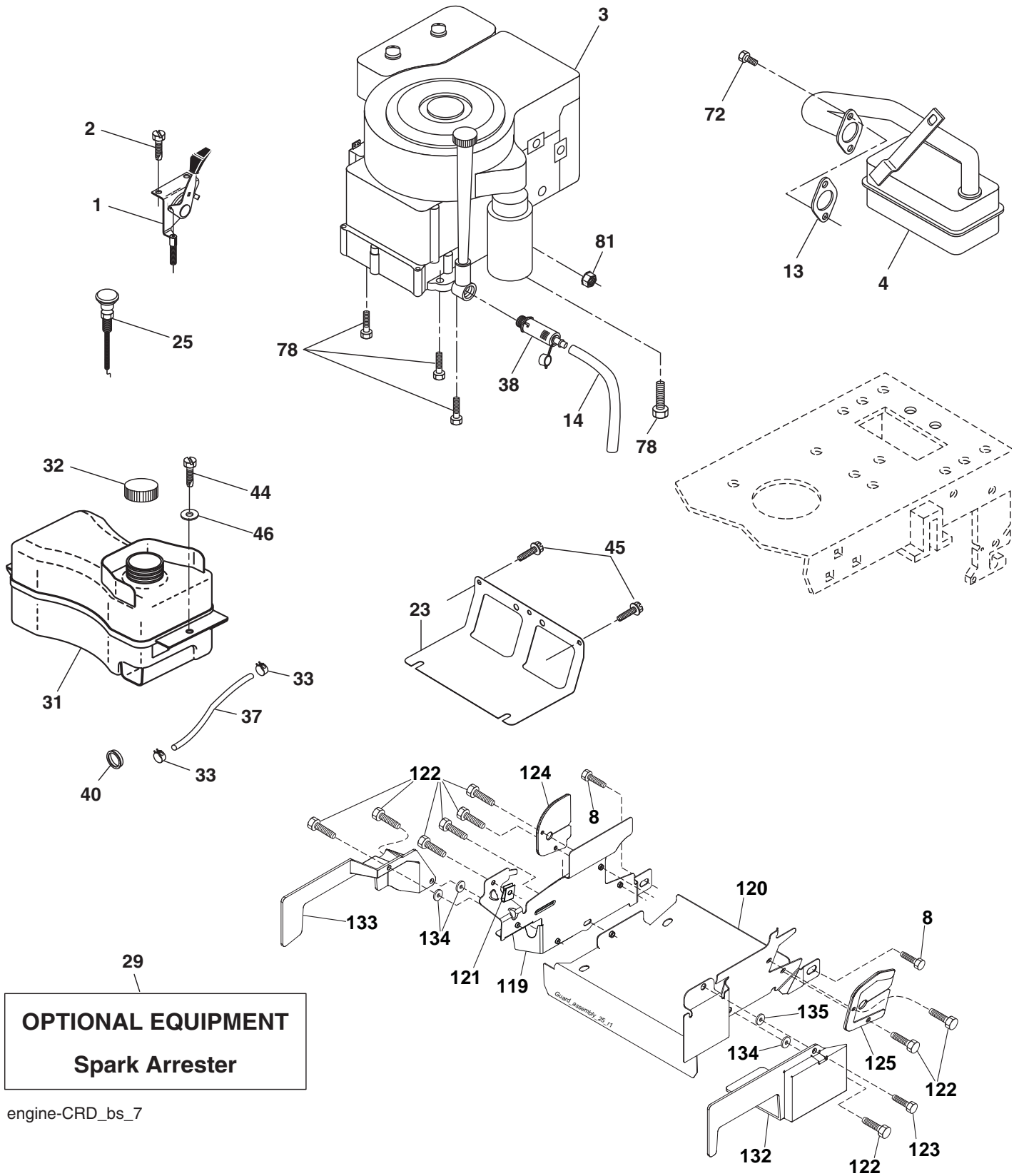
steering-CRD\_LEGND2\_2

**TRACTOR - - MODEL NO. M13592RB (96061010105), PRODUCT NO. 960 61 01-01  
STEERING ASSEMBLY **41****

| <b>KEY NO.</b> | <b>PART NO.</b> | <b>DESCRIPTION</b>                |
|----------------|-----------------|-----------------------------------|
| 1              | 532 19 45-95    | Steering Wheel                    |
| 2              | 532 18 47-06    | Cast Iron Axle Assembly           |
| 3              | 532 16 98-40    | Spindle Assembly, L.H.            |
| 4              | 532 16 98-39    | Spindle Assembly, R.H.            |
| 5              | 532 12 49-31    | Washer Thrust                     |
| 6              | 532 12 17-48    | Washer 25/32 x 1-5/8 x 16 Ga.     |
| 8              | 812 00 00-29    | Ring, Clip                        |
| 10             | 532 17 51-21    | Link, Drag                        |
| 11             | 810 04 06-00    | Washer, Lock                      |
| 13             | 532 13 65-18    | Spacer Brg Axle Front             |
| 15             | 532 14 52-12    | Nut, Hexflange Lock               |
| 17             | 532 19 07-53    | Shaft Assembly, Steering          |
| 29             | 817 00 06-12    | Screw, 3/8-16 x 3/4               |
| 32             | 532 17 01-62    | Rod, Tie                          |
| 33             | 819 11 12-16    | Washer 11/32 x 3/4 x 16 Ga.       |
| 34             | 810 04 05-00    | Washer Lock Hvy Hlcl Spr 5/16     |
| 35             | 873 54 05-00    | Nut Crownlock 5/16-24 unf         |
| 36             | 532 15 50-99    | Bushing, Steering                 |
| 37             | 532 15 29-27    | Screw TT #10-32 x 5 x 3/8 Flange  |
| 38             | 532 19 46-03    | Cap Wheel Steering                |
| 39             | 819 11-38-12    | Washer 11/32 ID x 2-3/8 OD 12 Ga. |
| 40             | 873 54 06-00    | Nut Crownlock 3/8-24              |
| 41             | 532 18 67-37    | Adaptor, Steering Wheel           |
| 42             | 532 16 96-33    | Boot, Steering Dash P/L Mtl       |
| 43             | 532 12 17-49    | Washer 25/32 x 1-1/4 x 16 Ga.     |
| 44             | 532 19 07-52    | Extension Steering                |
| 46             | 532 12 12-32    | Cap, Spindle                      |
| 65             | 532 41 47-36    | Spacer Brace Axle                 |
| 67             | 872 11 06-18    | Bolt Rdhd Sq 3/8-16 unc x 2-1/4   |
| 71             | 532 17 51-46    | Steering Asm.                     |
| 68             | 532 16 98-27    | Brace Axle                        |
| 82             | 532 19 99-78    | Bracket Susp Chassis Front        |
| 87             | 532 17 39-66    | Washer Flat .781 x 1-1/2 x .14    |
| 88             | 532 17 51-18    | Bolt Shoulder 7/16-20 unc         |
| 91             | 532 17 55-53    | Clip Steering                     |
| 95             | 532 18 89-67    | Washer Harden .793 x 1.637 x 060  |
| 97             | 874 78 05-64    | Bolt 5/16-18 unc x 4" L Gr. 5     |

**NOTE:** All component dimensions given in U.S. inches.  
1 inch = 25.4 mm.

TRACTOR -- MODEL NO. M13592RB (96061010105), PRODUCT NO. 960 61 01-01  
 ENGINE **24**



**TRACTOR - - MODEL NO. M13592RB (96061010105), PRODUCT NO. 960 61 01-01  
ENGINE 24**

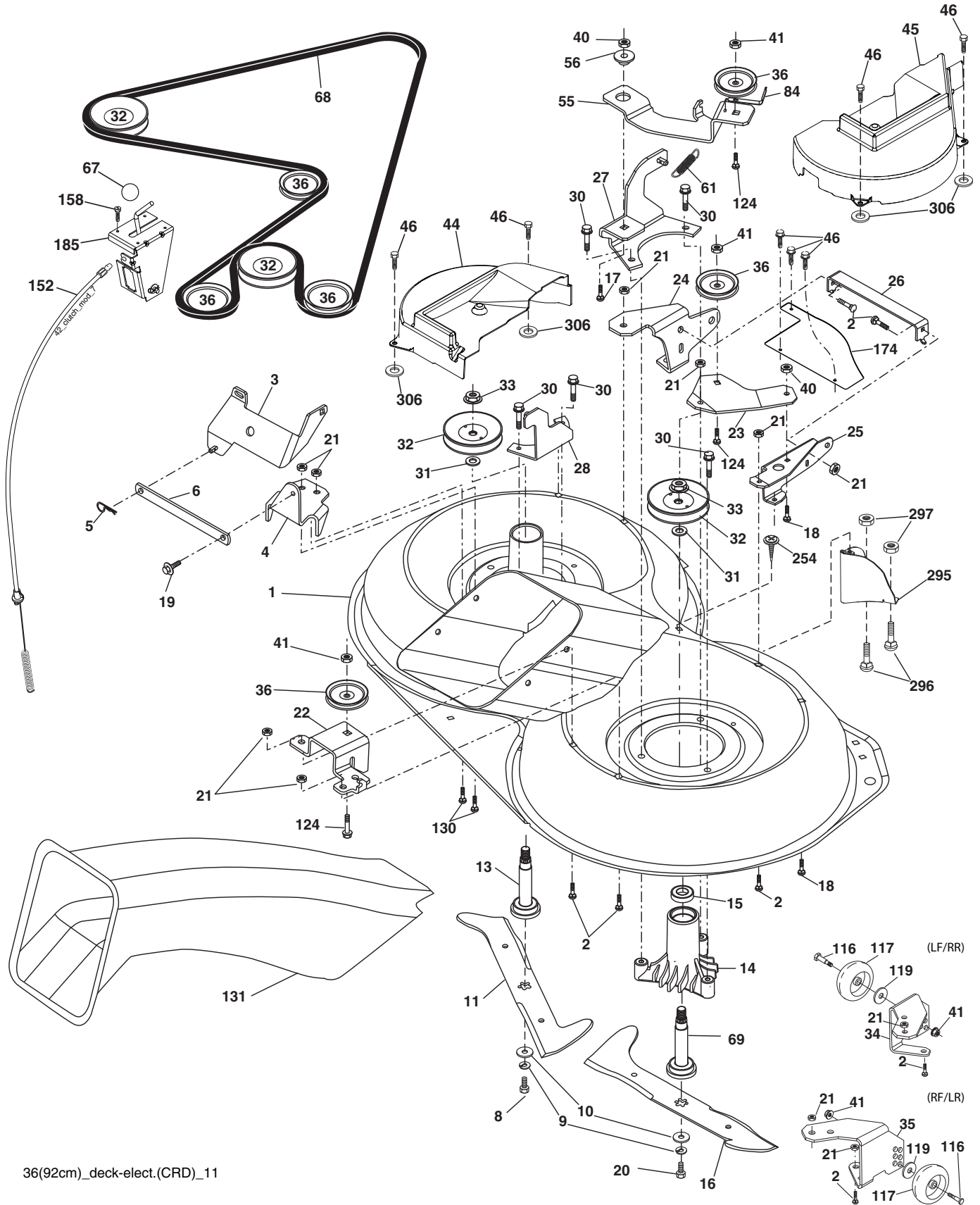
| KEY NO. | PART NO.     | DESCRIPTION   |
|---------|--------------|---|
| 1       | 532 17 05-51 | Control Throt /Ch   |
| 2       | 817 72 04-08 | Screw Hex Thd Cut 1/4-20 x 5/8 T                                  |
| 3       | -----        | Engine B&S Model 21B807<br>(Order Parts from Engine Manufacturer) |
| 4       | 532 17 97-58 | Muffler Exhaust B&S LT  |
| 8       | 532 17 18-77 | Bolt 5/16-18 unc x 3/4 w/Sems                                     |
| 13      | 532 16 52-91 | Gasket 1 313 Id Tin Plated  |
| 14      | 532 14 84-56 | Tube Drain Oil Easy   |
| 23      | 532 16 98-37 | Shield Browning/Debris Guard                                      |
| 25      | 532 19 06-95 | Control Choke 1 Cyl.  |
| 29      | 532 13 71-80 | Arrester Spark  |
| 31      | 532 40 75-16 | Tank Fuel   |
| 32      | 532 19 77-25 | Cap Asm Fuel Top  |
| 33      | 532 12 34-87 | Clamp Hose Blk  |
| 37      | 532 13 70-40 | Line Fuel 20"   |
| 38      | 532 18 16-54 | Plug Drain Oil Easy   |
| 40      | 532 12 40-28 | Bushing Snap  |
| 44      | 817 67 04-12 | Screw Hexwsh Thdrol 3/8-16 x 3/4                                  |
| 45      | 817 00 06-12 | Screw 3/8-16 x 3/4  |
| 46      | 819 09 14-16 | Washer 9/32 x 7/8 x 16 Ga.  |
| 72      | 532 19 23-34 | Screw Socket Head 5/16-18 x 3/4                                   |
| 78      | 817 06 06-20 | Screw 3/8-16 x 1-1/4  |
| 81      | 873 51 04-00 | Nut Keps Hex 1/4-20 unc   |
| 119     | 532 19 97-68 | Guard Asm Engine LH CRD   |
| 120     | 532 19 97-67 | Guard Asm Engine RH CRD   |
| 121     | 532 19 66-88 | Clips Threaded  |
| 122     | 532 13 77-29 | Screw THD ROLL 1/4-20 x 5/8                                       |
| 123     | 817 67 05-08 | Screw THDROL 5/16-18 x 1/2  |
| 124     | 532 19 97-72 | Rod Tie Guard LH  |
| 125     | 532 19 97-73 | Rod Tie Guard RH  |
| 132     | 532 42 07-57 | Shield Side RH  |
| 133     | 532 42 07-56 | Shield Side LH  |
| 134     | 532 42 30-62 | 1/4 PAL Nut   |
| 135     | 532 42 30-63 | 5/16 PAL Nut  |

NOTE: All component dimensions given in U.S. inches  
1 inch = 25.4 mm

**Engine Power Rating Information**

The gross power rating for individual gas engine models is labeled in accordance with SAE (Society of Automotive Engineers) code J1940 (Small Engine Power & Torque Rating Procedure), and rating performance has been obtained and corrected in accordance with SAE J1995 (Revision 2002-05). Torque values are derived at 3060 RPM; horsepower values are derived at 3600 RPM. Actual gross engine power will be lower and is affected by, among other things, ambient operating conditions and engine-to-engine variability. Given both the wide array of products on which engines are placed and the variety of environmental issues applicable to operating the equipment, the gas engine will not develop the rated gross power when used in a given piece of power equipment (actual "on-site" or net power). This difference is due to a variety of factors including, but not limited to, accessories (air cleaner, exhaust, charging, cooling, carburetor, fuel pump, etc.), application limitations, ambient operating conditions (temperature, humidity, altitude), and engine-to-engine variability. Due to manufacturing and capacity limitations, Briggs & Stratton may substitute an engine of higher rated power for this Series engine.

TRACTOR -- MODEL NO. M13592RB (96061010105), PRODUCT NO. 960 61 01-01  
MOWER DECK **44**



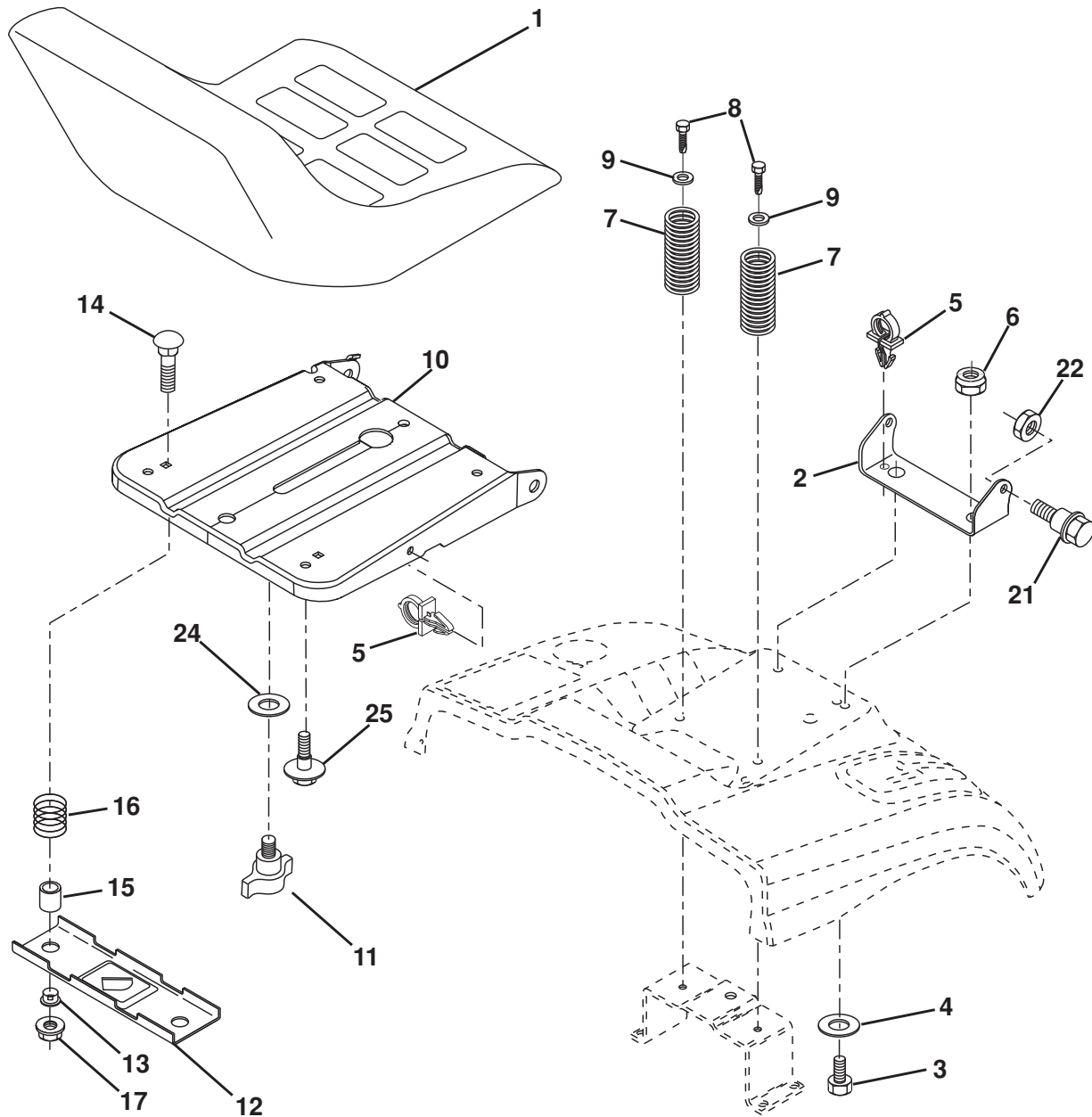
36(92cm)\_deck-elect.(CRD)\_11

**TRACTOR - - MODEL NO. M13592RB (96061010105), PRODUCT NO. 960 61 01-01  
MOWER DECK 44**

| KEY<br>NO. | PART<br>NO.  | DESCRIPTION                         | KEY<br>NO. | PART<br>NO.  | DESCRIPTION  |
|------------|--------------|-------------------------------------|------------|--------------|--|
| 1          | 532 40 01-08 | Housing Asm. Mower                  | 44         | 532 42 07-52 | Cover Mandrel LH   |
| 2          | 872 14 05-06 | Bolt Rdhd Sqnk 5/16-18 unc x 3/4    | 45         | 532 42 07-53 | Cover Mandrel RH   |
| 3          | 532 43 18-64 | Bracket Asm. S-Bar Chass            | 46         | 532 13 77-29 | Screw Thd Roll 1/4-20 x 5/8  |
| 4          | 532 16 55-58 | Bracket Bar Sway Deck               | 55         | 532 19 94-98 | Arm Idler  |
| 5          | 532 12 46-70 | Retainer Spring                     | 56         | 532 16 57-23 | Spacer Retainer PM Mower   |
| 6          | 532 16 55-57 | Bar Sway                            | 61         | 532 19 94-86 | Spring Tension Belt  |
| 8          | 532 18 17-12 | Bolt 3/8-24 x 1.25 Gr. 8 Patched    | 67         | 532 10 69-32 | Knob Rd 3/8-16 Plstc Thds Blk  |
| 9          | 810 03 06-00 | Washer Lock Hvy 3/8 Unplated        | 68         | 532 40 20-08 | Hex-Belt 92 Mower  |
| 10         | 532 14 02-96 | Washer Hard Blade Mower Vented      | 69         | 532 16 54-82 | Shaft Asm w/Lwr Brg RH Thd CRD   |
| 11         | 532 18 63-85 | Blade 3-1 LH                        | 84         | 532 15 60-85 | Keeper Belt Idler  |
| 13         | 532 13 76-45 | Shaft Asm. w/Lower Bearing          | 116        | 532 19 34-06 | Bolt Shoulder  |
| 14         | 532 12 87-74 | Housing Mandrel Vented (Machd)      | 117        | 532 17 48-73 | Wheel Gauge Donut Wide   |
| 15         | 532 11 04-85 | Bearing Ball Mandrel                | 119        | 819 13 20-12 | Washer 13/32 x 1-1/4 x 12 Ga.  |
| 16         | 532 18 63-86 | Blade 3-1 RH                        | 124        | 872 11 06-12 | Bolt Carr Sh 3/8-16 x 1-1/2 Gr. 5  |
| 17         | 872 14 06-10 | Bolt Carriage 3/8-16 x 1-1/4        | 130        | 872 11 05-06 | Bolt Rdhdsqnk 5/16-18 unc x 3/4  |
| 18         | 872 11 06-06 | Bolt Rdhd Sqnk 3/8-16 x 3/4         | 131        | 532 16 56-61 | Chute Bagger CRD   |
| 19         | 532 13 28-27 | Bolt Shoulder 5/16-18 Thd Form      | 152        | 532 17 60-74 | Cable Clutch CRD   |
| 20         | 532 18 17-13 | Bolt 3/8-24 x 1.25 Gr. 8 Ptch Lhthd | 158        | 817 72 04-08 | Screw Hex Thdcut 1/4-20 x 5/8  |
| 21         | 873 68 05-00 | Nut Crown Lock 5/16-18              | 174        | 532 40 02-41 | Guard Susp. Front  |
| 22         | 532 19 95-90 | Bracket Idler Sprt RR               | 185        | 532 18 82-34 | Head Asm. Cable Clutch   |
| 23         | 532 16 54-46 | Bracket Idler Sprt RF               | 254        | 817 00 06-16 | Screw 3/8-16 x 1   |
| 24         | 532 16 52-42 | Bracket Suspension LF               | 295        | 532 41 21-71 | Baffle Front   |
| 25         | 532 16 52-44 | Bracket Suspension RF               | 296        | 872 14 04-06 | Bolt 1/4-20 x 3/4 Gr. 5  |
| 26         | 532 40 01-10 | Brace Support Susp Frt CRD          | 297        | 873 93 04-00 | Nut 1/4-20 unc   |
| 27         | 532 16 55-68 | Bracket Asm. Susp RR                | 306        | 532 42 30-62 | 1/4" Pal Nut   |
| 28         | 532 16 55-67 | Bracket Asm. Susp LR                | ---        | 532 18 18-57 | Mandrel Assembly (Includes hous-<br>ing, shaft assembly, and bearing<br>only - pulley/nut/washer and blade<br>bolt/washers not included) |
| 30         | 532 17 39-84 | Screw Thd Rolling Washer Head       | ---        | 532 18 18-58 | Mandrel Asm CRDLH Threads SVC  |
| 31         | 532 18 76-90 | Washer Spacer                       | ---        | 532 42 27-85 | Replacement Mower Complete   |
| 32         | 532 15 35-32 | Mandrel Pulley                      |            |              |  |
| 33         | 532 40 02-34 | Nut Flg Top Lock                    |            |              |  |
| 34         | 532 40 01-07 | Bracket Gauge Wheel LF              |            |              |  |
| 35         | 532 40 01-06 | Bracket Gauge Wheel RF              |            |              |  |
| 36         | 532 14 67-63 | Pulley Idler V-Groove Dim 4.25      |            |              |  |
| 40         | 873 68 06-00 | Nut Crownlock 3/8-16 unc            |            |              |  |
| 41         | 873 90 06-00 | Nut Lock Flg 3/8-16 unc             |            |              |  |

**NOTE:** All component dimensions given in U.S. inches  
1 inch = 25.4 mm

**TRACTOR -- MODEL NO. M13592RB (96061010105), PRODUCT NO. 960 61 01-01**  
**SEAT ASSEMBLY 42**



seat-CRD\_knob\_1

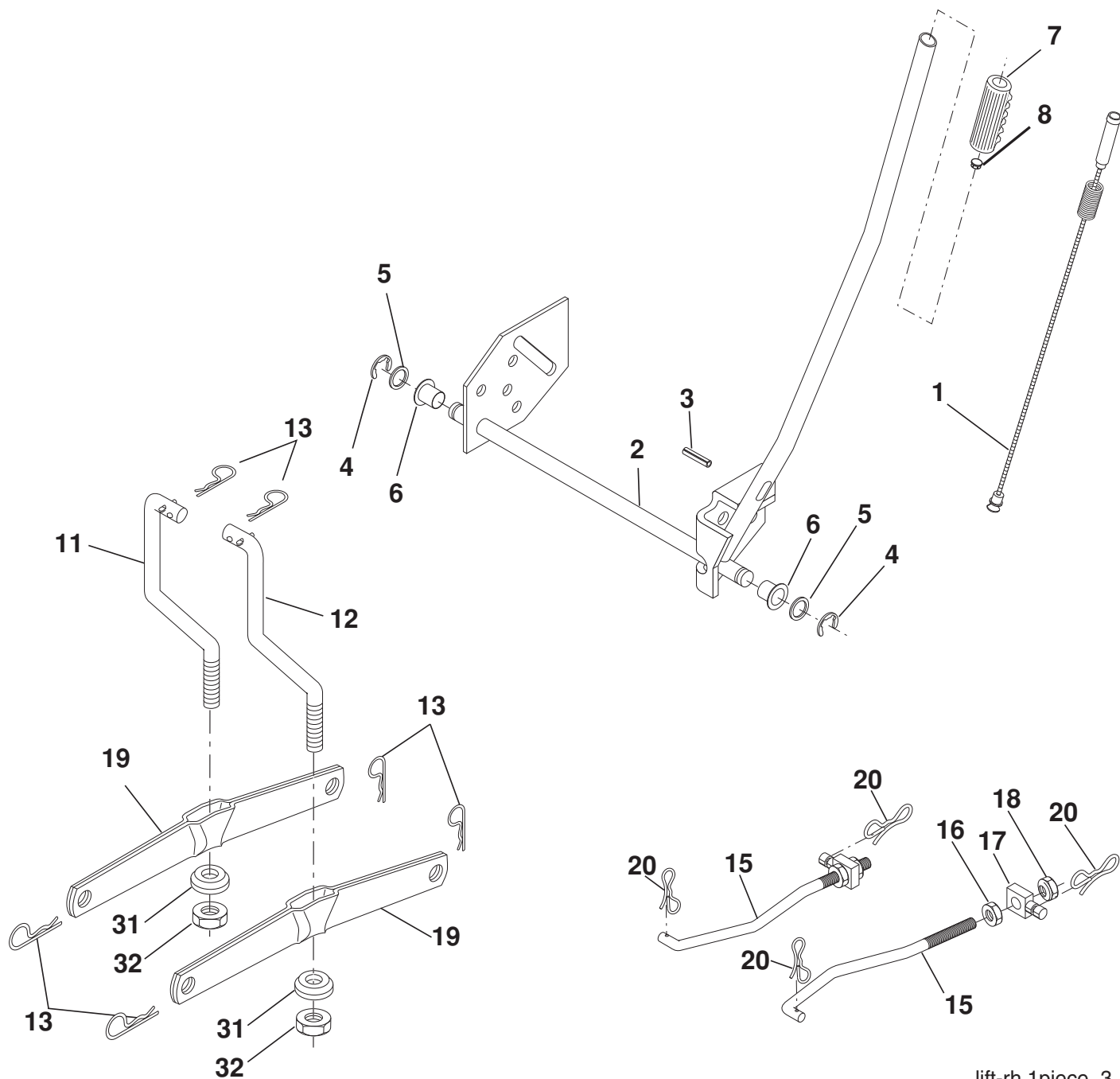
| KEY NO. | PART NO.     | DESCRIPTION                      |
|---------|--------------|----------------------------------|
| 1       | 532 18 87-13 | Seat                             |
| 2       | 532 14 05-51 | Bracket Pnt Pivot Seat (blk)     |
| 3       | 871 11 06-16 | Bolt Fin Hex 3/8-16 unc x 1      |
| 4       | 819 13 16-10 | Washer Flat 13/32 x 1 x 10 Ga.   |
| 5       | 532 14 50-06 | Clip Push In Hinged              |
| 6       | 873 80 06-00 | Nut Lock Hex 3/8-16 unc          |
| 7       | 532 12 41-81 | Spring Seat Cprsn 2 250 (blk) Zi |
| 8       | 817 00 06-16 | Screw 3/8-16 x 1-1/2             |
| 9       | 819 13 16-14 | Washer 13/32 x 1 x 14 Ga.        |
| 10      | 532 19 55-30 | Pan Pnt Seat (blk)               |
| 11      | 532 16 63-69 | Knob Seat                        |

| KEY NO. | PART NO.     | DESCRIPTION                     |
|---------|--------------|---------------------------------|
| 12      | 532 17 46-48 | Bracket Pnt Mounting Switch     |
| 13      | 532 12 12-48 | Bushing Snap Blk Nyl 50 Id      |
| 14      | 872 05 04-12 | Bolt Rdhd Sht Nk 1/4-20 x 1-1/2 |
| 15      | 532 13 43-00 | Spacer Split                    |
| 16      | 532 12 12-50 | Spring Cprsn                    |
| 17      | 532 12 39-76 | Nut Lock 1/4 Lge Flg Gr. 5 Zinc |
| 21      | 532 17 18-52 | Bolt Shoulder 5/16-18 unc-2A    |
| 22      | 873 80 05-00 | Nut Hex Lock w/Ins 5/16-18      |
| 24      | 819 17 19-12 | Washer 17/32 x 1-3/16 x 12 Ga.  |
| 25      | 532 12 70-18 | Bolt Shoulder 5/16-18 x .62     |

**NOTE:** All component dimensions given in U.S. inches.  
 1 inch = 25.4 mm



**TRACTOR - - MODEL NO. M13592RB (96061010105), PRODUCT NO. 960 61 01-01  
MOWER LIFT 45**



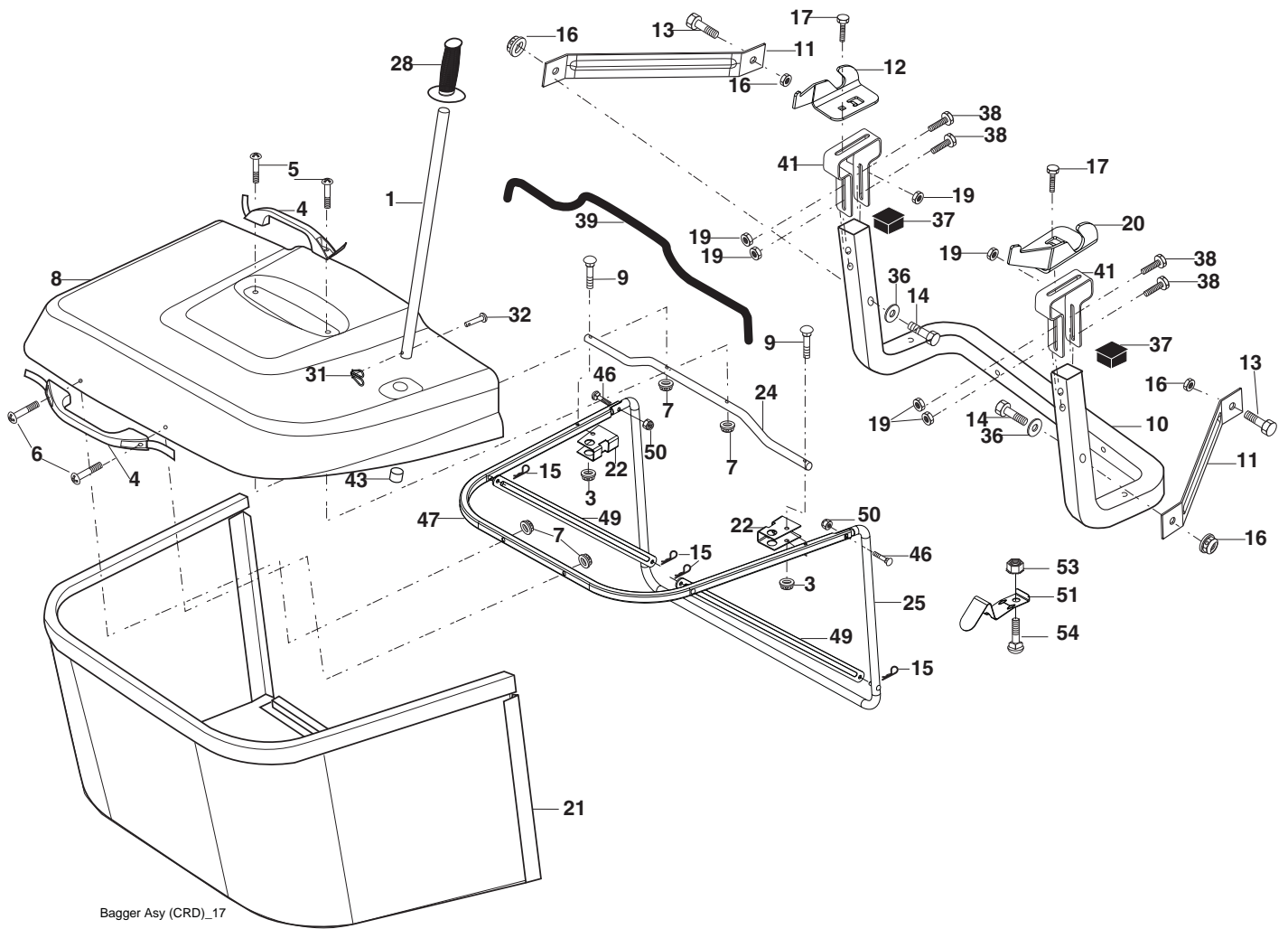
lift-rh.1piece\_3

| KEY NO. | PART NO.     | DESCRIPTION               |
|---------|--------------|---------------------------|
| 1       | 532 40 50-07 | Plunger Asm. Lift Lever   |
| 2       | 532 19 80-70 | Shaft Asm. Lift           |
| 3       | 532 18 88-22 | Pin Groove                |
| 4       | 812 00 00-02 | E Ring #5133-62           |
| 5       | 819 21 16-21 | Washer 21/32 x 1 x 21 Ga. |
| 6       | 532 12 01-83 | Bearing Nylon             |
| 7       | 532 10 94-13 | Grip Handle Bicycle       |
| 8       | 532 12 45-26 | Button Plunger Black      |
| 11      | 532 16 58-29 | Link Asm Lift L.H.        |
| 12      | 532 16 58-31 | Link Asm Lift R.H.        |
| 13      | 532 12 46-70 | Retainer Spring           |
| 15      | 532 17 32-88 | Link Front                |

| KEY NO. | PART NO.     | DESCRIPTION                 |
|---------|--------------|-----------------------------|
| 16      | 873 35 08-00 | Nut Jam Hex 1/2-13 unc      |
| 17      | 532 17 56-89 | Trunnion Blk Zinc           |
| 18      | 873 80 08-00 | Nut Lock w/Wsh 1/2-13 unc   |
| 19      | 532 13 98-68 | Arm Suspension Mower        |
| 20      | 532 19 42-09 | Pin Cotter 7/16 Bowtie Lock |
| 31      | 532 16 98-65 | Bearing, Pvt. Lift.         |
| 32      | 873 54 06-00 | Nut Crownlock 3/8-24        |

**NOTE:** All component dimensions given in U.S. inches  
1 inch = 25.4 mm

TRACTOR - - MODEL NO. M13592RB (96061010105), PRODUCT NO. 960 61 01-01  
BAGGER **46**



Bagger Asy (CRD)\_17

**TRACTOR - - MODEL NO. M13592RB (96061010105), PRODUCT NO. 960 61 01-01  
BAGGER 46**

| <b>KEY NO.</b> | <b>PART NO.</b> | <b>DESCRIPTION</b>                   |
|----------------|-----------------|--------------------------------------|
| 1              | 532 16 52-49    | Tube Handle Bagger CRD               |
| 3              | 532 12 39-76    | Nut Lock 1/4 Lge Flg Gr. 5 Zinc      |
| 4              | 532 16 99-16    | Handle Bagger w/Lvrs Gr. 5 Zinc      |
| 5              | 874 98 10-24    | Screw Pan Head #10-24 x 1.50 Blk     |
| 6              | 874 98 10-32    | Screw Pan Hd                         |
| 7              | 873 40 10-00    | Nut Wiz Lock Hex Serr/Hd #10-24      |
| 8              | 532 18 25-14    | Cover Bagger Steel                   |
| 9              | 872 14 04-18    | Bolt Carriage 1/4-20 x 2.25d x Gr. 5 |
| 10             | 532 18 12-82    | Tube Support Bagger CRD              |
| 11             | 532 16 57-19    | Bracket Support Upper Bag CRD        |
| 12             | 532 18 88-48    | Bracket Pivot LH                     |
| 13             | 874 76 06-12    | Bolt Hex 3/8-16 unc x 3/4            |
| 14             | 874 52 06-36    | Bolt Fin Hex 3/8-16 x 2 x 1/4 Gr. 5  |
| 15             | 532 12 46-70    | Retainer Spring                      |
| 16             | 873 90 06-00    | Nut Fock Flg 3/8-16 unc              |
| 17             | 872 14 05-06    | Bolt Rdhd Sht Sqnk 5/16-18 unc x 3/4 |
| 19             | 873 90 05-00    | Nut Lock Hex Flange 5/16-18          |
| 20             | 532 18 88-47    | Bracket Pivot RH                     |
| 21             | 532 40 61-80    | Bag Asm CRD                          |
| 22             | 532 16 57-81    | Bracket Side Bagger CRD              |
| 24             | 532 16 57-83    | Tube Pivot Bagger CRD                |
| 25             | 532 19 37-05    | Tube Front Bagger CRD                |
| 28             | 532 16 57-87    | Grip Handle Black                    |
| 31             | 532 16 94-84    | Retainer Clip                        |
| 32             | 532 12 68-75    | Rivet Rd Hd Drilled 3/8 Dia.         |
| 36             | 819 13 20-12    | Washer 13/32 x 1-1/4 x 12 Ga.        |
| 37             | 532 17 54-01    | Plug Support Bagger CRD              |
| 38             | 872 01 05-20    | Bolt 5/16-18 x 2-1/2                 |
| 39             | 532 41 62-57    | Seal Trim 37"                        |
| 41             | 532 16 96-83    | Bracket Vert Adj Bagger CRD          |
| 43             | 532 17 40-83    | Plug Tubing End                      |
| 46             | 872 11 05-10    | Bolt Carr. 5/16-18 x 1-1/4 Gr. 5     |
| 47             | 532 19 37-04    | Tube Upper Bagger                    |
| 49             | 532 19 33-05    | Bar Spreader Bagger                  |
| 50             | 873 80 05-00    | Nut Lock Hex w/Insert 5/16-18 unc    |
| 51             | 532 19 99-03    | Latch Spring Bagger                  |
| 52             | 872 14 04-06    | Bolt RDHD SQNK 1/4-20 x 3/4 Gr. 5    |
| 54             | 873 51 04-00    | Nut Keps Hex 1/4-20 unc              |

**NOTE:** All component dimensions given in U.S. inches  
1 inch = 25.4 mm

