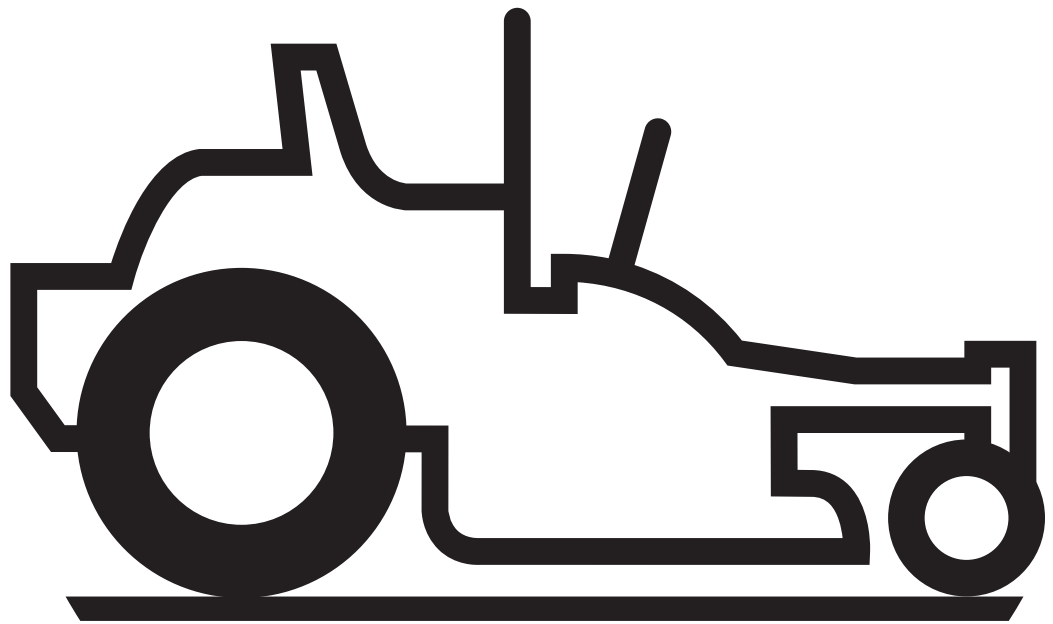


Parts Manual

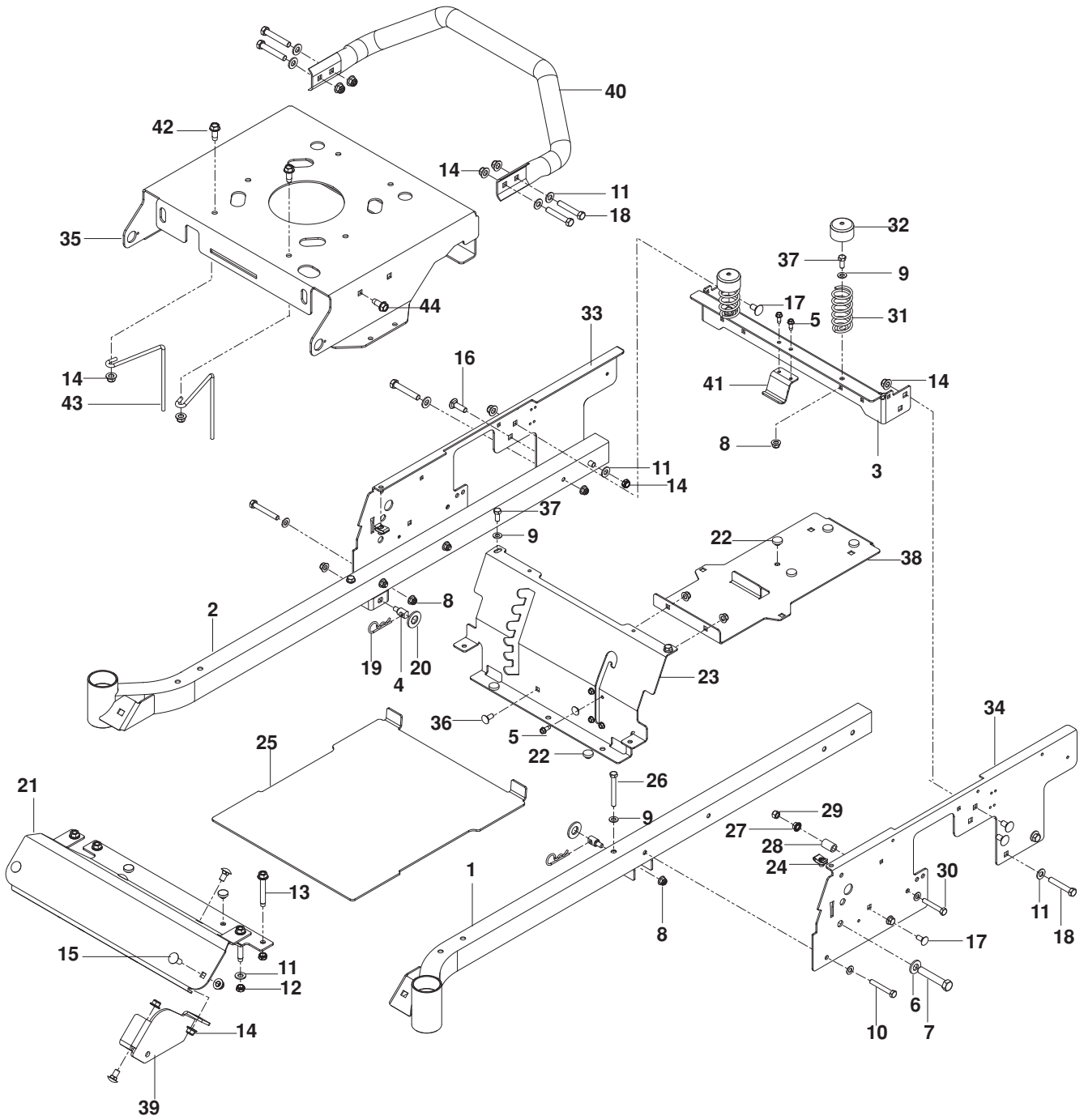
ZM3016 BF / 966564001

Only for US and AUS/NZ



Please read the operator's manual carefully and make sure you understand the instructions before using the machine.

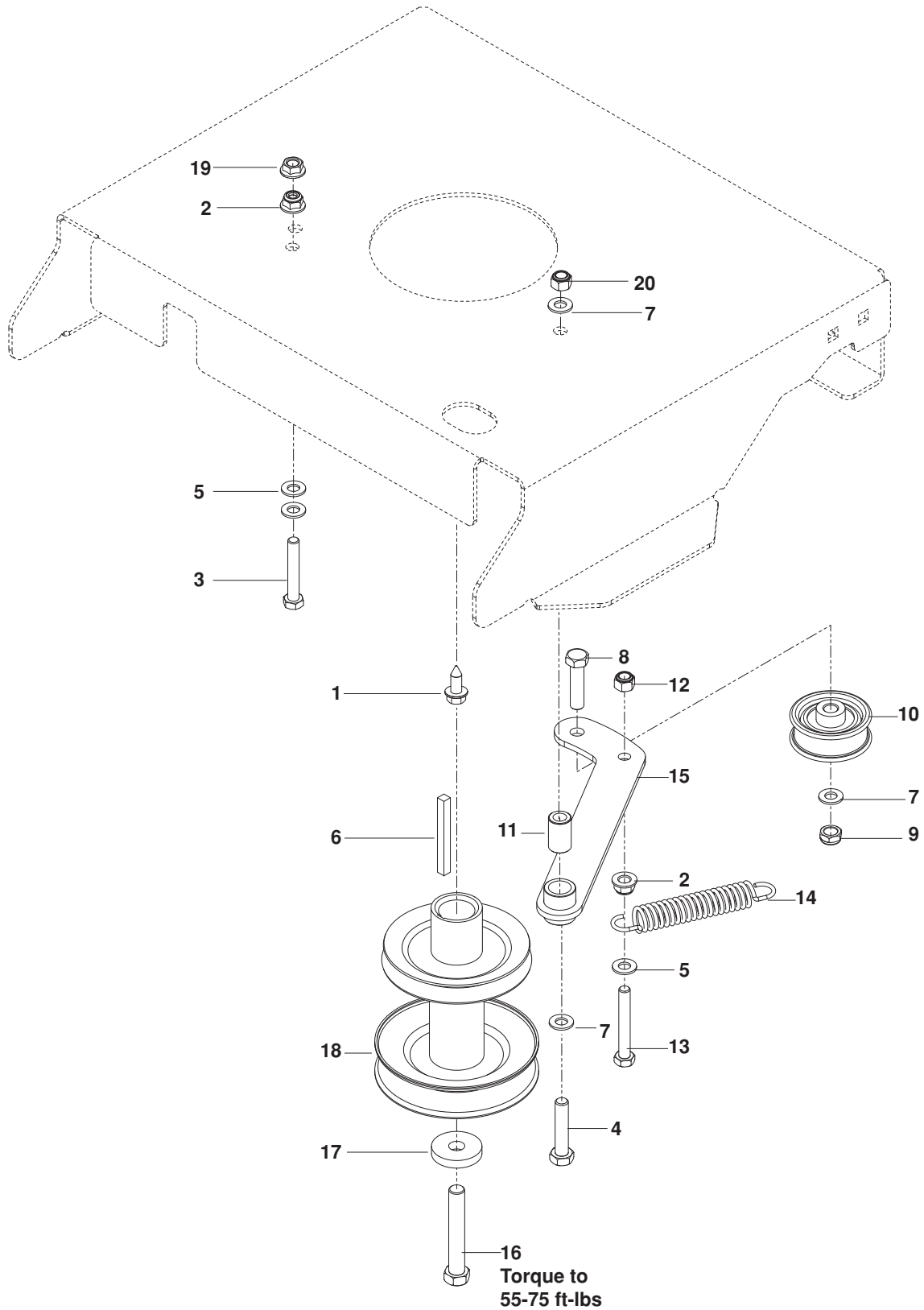
FRAME



FRAME

ITEM	PART NO.	QTY.	DESCRIPTION	ITEM	PART NO.	QTY.	DESCRIPTION
1..	525 454705....	1 FRAME TUBE, LH BLK	23..	575 852104....	1 PANEL, SEAT SUPPORT BLK
2..	525 454905....	1 FRAME TUBE, RH BLK	24..	539 104763....	4 RETAINER, U TYPE
3..	525 464604....	1 SUPPORT, REAR SEAT BLK	25..	576 452403....	1 FOOT PLATE w/ DECALS
4..	532 195161....	2 STUD w/ ANTI-ROTATE	26..	539 101721....	2 HCS $\frac{5}{16}$ -18 x $2\frac{3}{4}$
5..	539 990362....	6 SCREW $\frac{1}{4}$ -20 x $\frac{5}{8}$ SLF TAP	27..	539 990585....	4 NUT $\frac{5}{16}$ -18 HEX WHIZLK
6..	539 990250....	6 WASHER $\frac{1}{2}$ SAE	28..	539 119087....	2 BUSHING
7..	539 101332....	2 HCS $\frac{1}{2}$ -13 x $2\frac{3}{4}$	29..	539 990717....	8 NUT $\frac{5}{16}$ -18 HEX NYLOC
8..	539 112899..	14 NUT $\frac{5}{16}$ -18 FLANGE NYLOC	30..	539 976937....	2 HCS $\frac{5}{16}$ -18 x 2
9..	539 990188..	12 WASHER $\frac{5}{16}$ SAE FLT	31..	539 122632....	2 SPRING, SEAT
10..	539 976938....	4 HCS $\frac{5}{16}$ -18 x $2\frac{1}{4}$	32..	539 119884....	2 CAP, SPRING
11..	539 990122....	6 WASHER $\frac{3}{8}$ SAE FLT	33..	575 328405....	1 PLATE, RH BLK
12..	539 200282....	8 NUT $\frac{3}{8}$ -16 HEX JAM NYLOC	34..	575 328305....	1 PLATE, LH BLK
13..	539 111976....	4 BOLT $\frac{3}{8}$ -16 x $2\frac{5}{8}$ THD FRM	35..	525 462608....	1 PLATE, ENGINE BLK
14..	521 996501..	14 NUT $\frac{3}{8}$ -16 FLANGE NYLOC	36..	539 990316....	4 RHSNB $\frac{5}{16}$ -18 x $\frac{3}{4}$
15..	539 990645....	2 RHSNB $\frac{3}{8}$ -16 x 1	37..	539 976934....	4 HCS $\frac{5}{16}$ -18 x $\frac{3}{4}$
16..	539 100413....	1 RHSNB $\frac{3}{8}$ -16 x $1\frac{1}{4}$	38..	525 798402....	1 SUPPORT, TANK
17..	539 111785....	6 RHSNB $\frac{3}{8}$ -16 x $\frac{3}{4}$	39..	525 605502....	1 BRACKET, FRONT DECK
18..	539 990629....	8 HCS $\frac{3}{8}$ -16 x $2\frac{1}{4}$	40..	525 865904....	1 GUARD, REAR BLK
19..	539 976989....	2 HAIRPIN	41..	525 864502....	1 BRACKET, FUEL TANK
20..	539 976982....	2 WASHER $\frac{5}{8}$ SAE FLT	42..	539 107476....	2 BOLT $\frac{3}{8}$ -16 x 1 THD FRM
21..	522 740707....	1 FOOT REST BLK	43..	574 172901....	2 GUIDE, BELT
22..	539 102587....	8 GROMMET,BUMPER	44..	539 990369....	2 BOLT $\frac{5}{16}$ -18 x 1 THD FRM

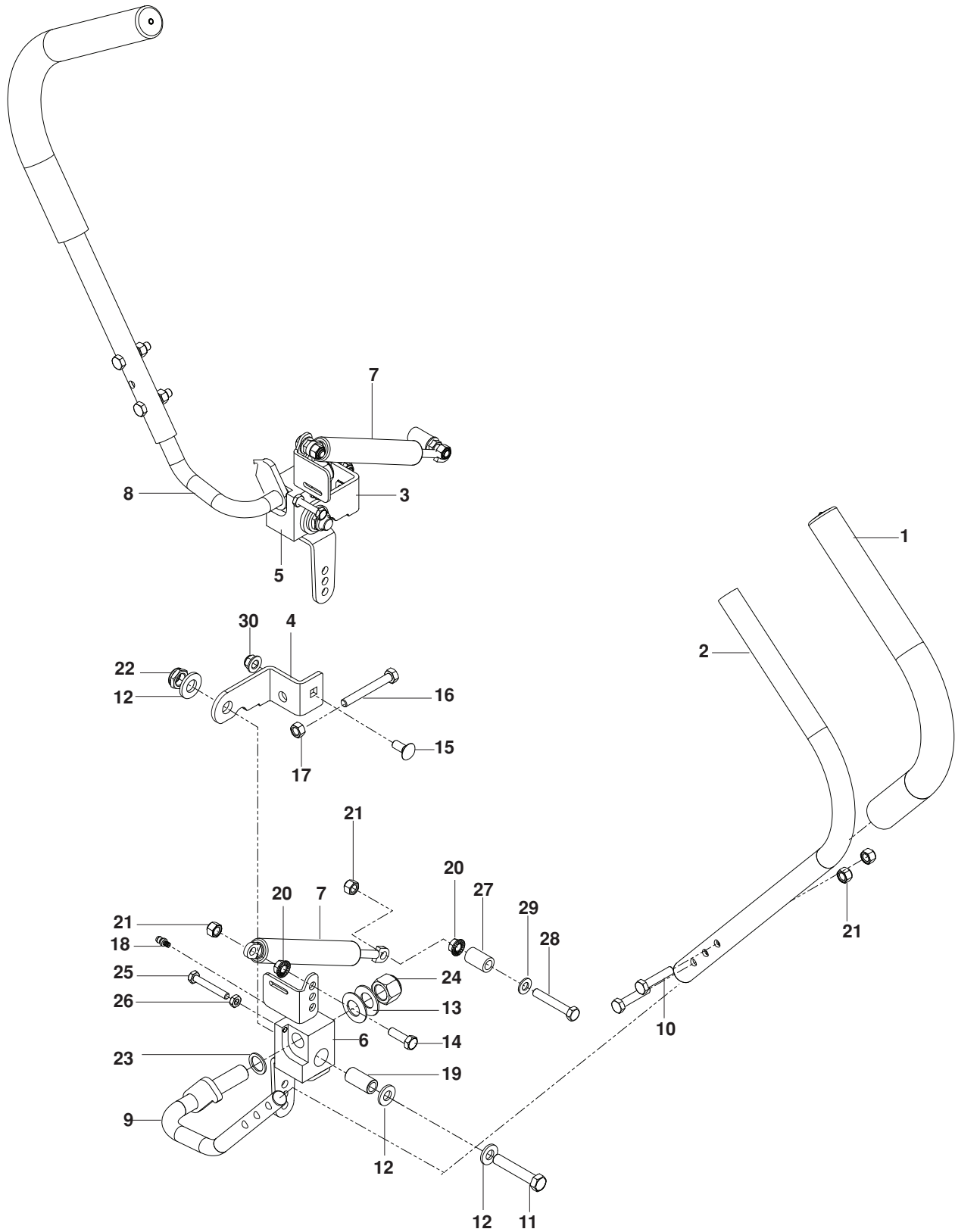
ENGINE PLATE



ENGINE PLATE

ITEM	PART NO.	QTY.	DESCRIPTION	ITEM	PART NO.	QTY.	DESCRIPTION
1..	532 120616....	3 HHFS 3/8-16 x 1 THD FRM	12..	539 990717....	1 NUT 5/16-18 HEX NYLOC
2..	539 112899....	2 NUT 5/16-18 FLANGE NYLOC	13..	539 976938....	1 HCS 5/16-18 x 2 1/4
3..	539 976937....	1 HCS 5/16-18 x 2	14..	539 116350....	1 SPRING 3 1/2
4..	539 990588....	1 HCS 3/8-16 x 2	15..	539 120990....	1 ARM, IDLER
5..	539 990188....	3 WASHER 5/16 SAE FLT	16..	539 110065....	1 HCS 7/16-20 x 2 3/4
6..	539 917033....	1 KEY 1/4 SQ x 2 1/2 LG	17..	539 115546....	1 WASHER
7..	539 990517....	3 WASHER 3/8 FLT STD	18..	574 872801 ...	1 PULLEY, ENGINE
8..	539 990655....	1 HCS 3/8-16 x 1 1/2	19..	539 990585....	1 NUT 5/16-18 HEX WHIZLK
9..	539 200282....	1 NUT 3/8-16 HEX JAM NYLOC	20..	539 976979....	3 NUT 3/8-16 HEX NYLOC
10..	539 120812....	1 PULLEY, IDLER	NOT SHOWN			
11..	539 115270....	1 BUSHING, METAL		576 014301 ...	1 PIGTAIL, B&S

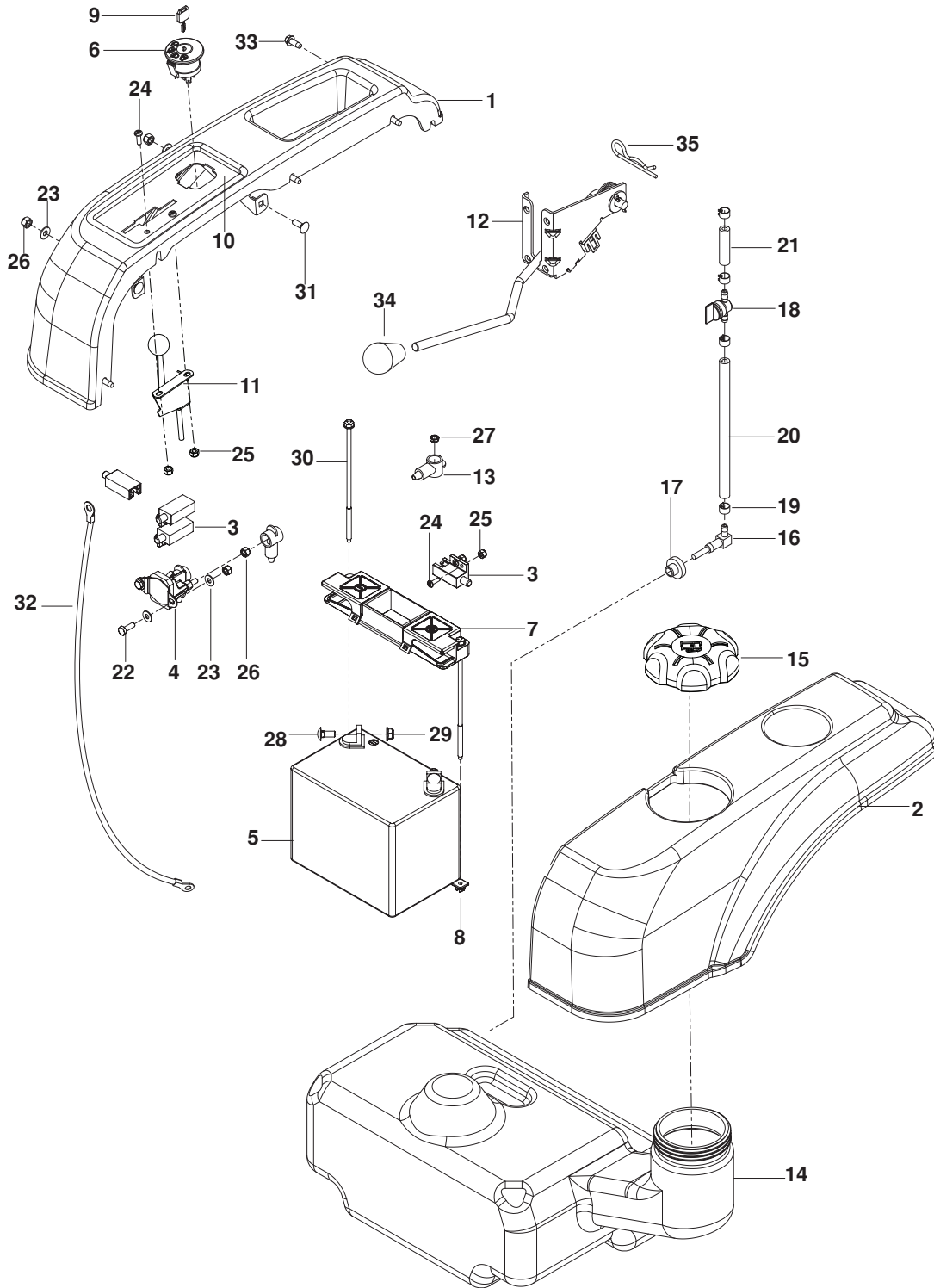
STEERING



STEERING

ITEM	PART NO.	QTY.	DESCRIPTION	ITEM	PART NO.	QTY.	DESCRIPTION
1..	539 120899....2	GRIP	16..	539 108396....2	BOLT, HEX $\frac{5}{16}$ -18 x $2\frac{1}{2}$ TPBLT
2..	539 120160....2	LEVER, UPPER	17..	539 990196....2	NUT, $\frac{5}{16}$ -18 HEX
3..	539 117949....1	STOP, STEER CNTRL RH	18..	539 115638....2	ZERK
4..	539 117950....1	STOP, STEER CNTRL LH	19..	539 120956....2	BUSHING $\frac{1}{2}$ ID x $\frac{3}{4}$ OD
5..	539 120984....1	PIVOT, RH	20..	539 990585....2	NUT $\frac{5}{16}$ -18 HEX WHIZLK
6..	539 120983....1	PIVOT, LH	21..	539 990717....6	NUT $\frac{5}{16}$ -18 HEX NYLOC
7..	539 114453....2	DAMPENER	22..	539 108010....2	NUT $\frac{1}{2}$ -13 JAM NYLOC GR 2
8..	539 120159....1	LOWER LEVER, RH	23..	539 115570....2	WASHER, SPECIAL
9..	539 120162....1	LOWER LEVER, LH	24..	539 110340....2	NUT $\frac{5}{8}$ -11 NYLOC
10..	539 976935....4	HCS $\frac{5}{16}$ -18 x $1\frac{1}{2}$	25..	539 991003....2	HCS $\frac{1}{4}$ -20 x $1\frac{3}{4}$
11..	539 101332....2	HCS $\frac{1}{2}$ -13 x $2\frac{3}{4}$	26..	539 991112....2	NUT $\frac{1}{4}$ -20 JAM
12..	539 990250....6	WASHER $\frac{1}{2}$ SAE	27..	539 119087....2	BUSHING
13..	539 911121....4	WASHER $\frac{5}{8}$ BELLEVILLE	28..	539 976937....2	HCS $\frac{5}{16}$ -18 x 2
14..	539 990209....2	HCS $\frac{5}{16}$ -18 x 1	29..	539 990188....2	WASHER $\frac{5}{16}$ SAE FLT
15..	539 990316....2	RHSNB $\frac{5}{16}$ -18 x $\frac{3}{4}$	30..	539 112899....2	NUT $\frac{5}{16}$ -18 FLG HEX NYLOC

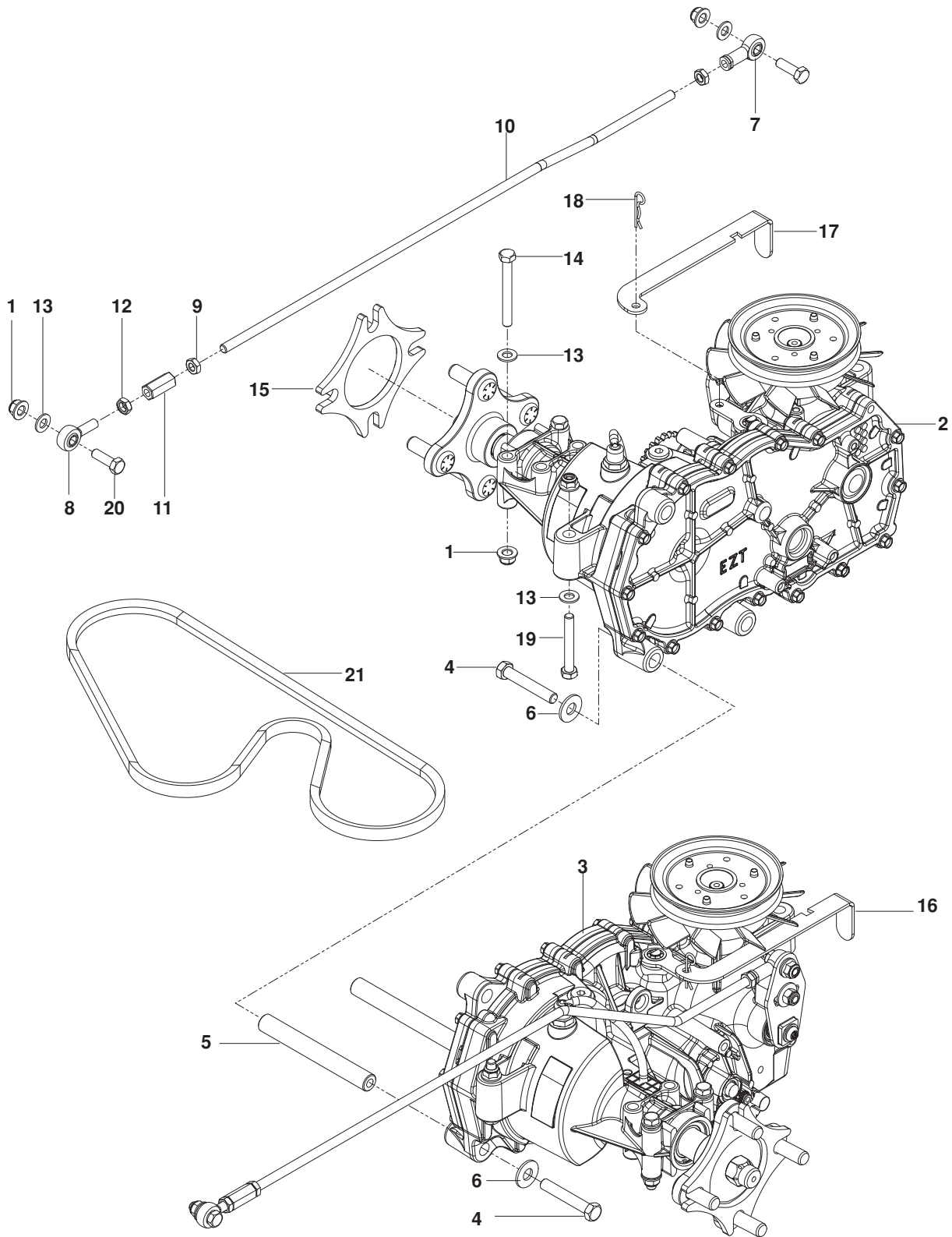
IGNITION SYSTEM



IGNITION SYSTEM

ITEM	PART NO.	QTY.	DESCRIPTION	ITEM	PART NO.	QTY.	DESCRIPTION
1..	539 120193....	1	FENDER, RH	21..	539 121486....	1	HOSE, 1/4 x 2
2..	539 120192....	1	FENDER, LH	22..	539 990580....	2	HCS 1/4-20 x 3/4
3..	539 101080....	4	SWITCH	23..	539 990055....	2	WASHER 1/4 FLT SAE
4..	539 101714....	1	SOLENOID	24..	539 976952....	4	SCREW #10-24 x 5/8
5..	539 102436....	1	BATTERY	25..	539 976977....	4	NUT #10-24 HEX NYLOC
6..	539 107541....	1	SWITCH, IGNITION	26..	539 976978....	4	NUT 1/4-20 HEX NYLOC
7..	539 107628....	1	BATTERY HOLD DOWN	27..	539 108120....	1	NUT 1/4-20 HEX THIN NYLOC
8..	539 107629....	2	NUT 1/4 PUSH NYLON	28..	539 990316....	2	RHSNB 5/16-18 x 3/4
9..	539 107544....	1	KEY, IGNITION	29..	539 112899....	2	NUT 5/16-18 FLANGE NYLOC
10..	575 962901....	1	PANEL, CONTROLS BLK	30..	539 107632....	2	BOLT 1/4 x 7 1/2
11..	522 730101....	1	CABLE, THROTTLE	31..	539 990074....	2	RHSNB 1/4-20 x 3/4 GR2
12..	575 661501....	1	CLUTCH ASSY w/ CABLE	32..	539 110068....	1	BATTERY CABLE, NEGATIVE
	532 193235 ...	1	CABLE, CLUTCH	33..	539 990362....	9	SCREW 1/4-20 x 5/8 SLF TAP
13..	539 116400....	3	TERMINAL COVER, SM	34..	539 132624....	1	GRIP, CLUTCH
14..	574 790702....	1	TANK, FUEL	35..	532 165898....	1	RETAINER, SPRING
15..	539 130393....	1	CAP, FUEL	NOT SHOWN			
16..	539 124804....	1	ELBOW w/ FILTER	539 104974 ...	1	CABLE, POSITIVE	
17..	539 126217....	1	FITTING, TANK	539 103306 ...	1	CABLE, POSITIVE LONG	
18..	539 916325....	1	VALVE, FUEL	525 744301 ...	1	WIRING HARNESS	
19..	539 912222....	4	CLAMP, HOSE	539 110290 ...	2	FOAM STRIP, TANK	
20..	539 115736....	1	HOSE 1/4 x 8				

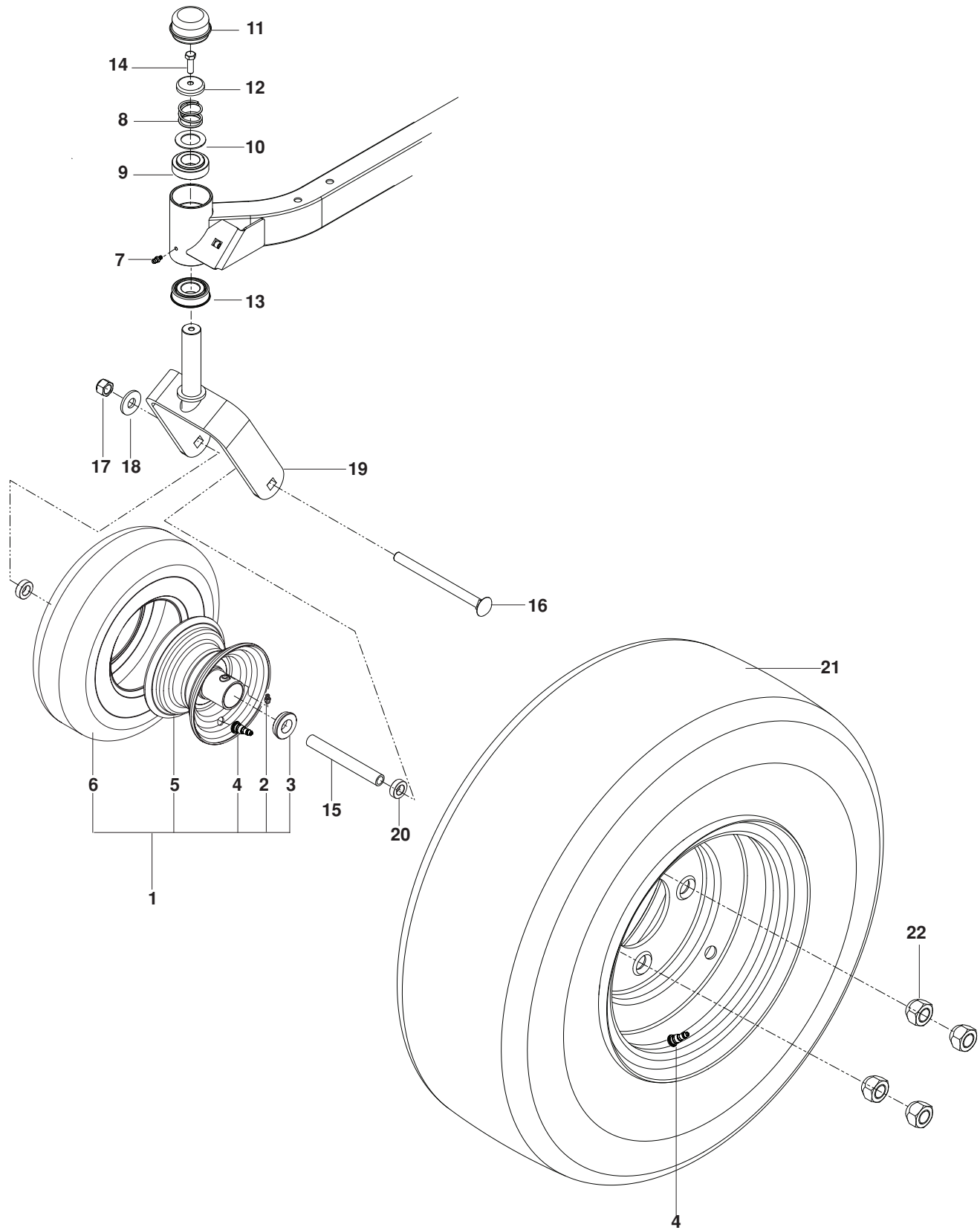
HYDRAULIC PUMP / MOTOR



HYDRAULIC PUMP / MOTOR

ITEM	PART NO.	QTY.	DESCRIPTION	ITEM	PART NO.	QTY.	DESCRIPTION
1..	539 112899..	10	NUT $5/16$ -18 FLANGE NYLOC	12..	539 991073....	2	NUT $5/16$ -24 HEX JAM LH
2..	539 120152....	1	HYDRO, RH	13..	539 990188..	10	WASHER $5/16$ SAE FLT
3..	539 120153....	1	HYDRO, LH	14..	539 101721....	4	HCS $5/16$ -18 x $2\frac{3}{4}$
4..	539 990629....	4	HCS $3/8$ -16 x $2\frac{1}{4}$	15..	539 114804....	2	SPACER, WHEEL
5..	539 120154....	2	SPACER, HYDRO	16..	539 120156....	1	RELEASE HANDLE, LH
6..	539 990517....	4	WASHER $3/8$ FLT STD	17..	539 120157....	1	RELEASE HANDLE, RH
7..	539 115729....	2	ROD END, RH	18..	539 976988....	2	HAIRPIN COTTER
8..	539 116690....	2	ROD END, MALE LH	19..	539 976938....	2	HCS $5/16$ -18 x $2\frac{1}{4}$
9..	539 115502....	4	NUT $5/16$ -24 HEX JAM	20..	539 990209....	4	HCS $5/16$ -18 x 1
10..	539 120169....	2	ROD, CONTROL	21..	539 120806....	1	BELT, EZT
11..	539 116689....	2	ROD END COUPLER				

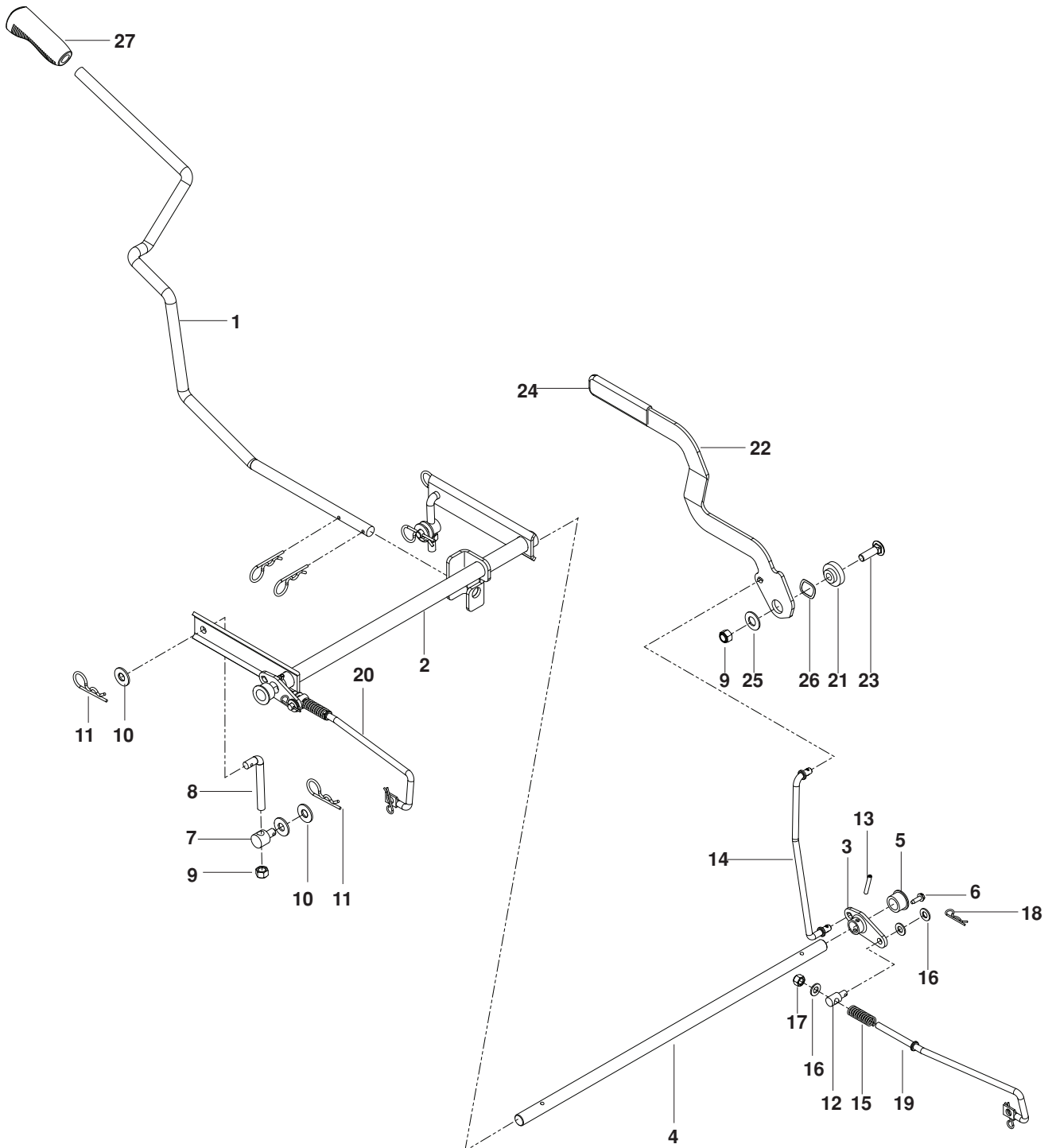
WHEELS / TIRES



WHEELS / TIRES

ITEM	PART NO.	QTY.	DESCRIPTION	ITEM	PART NO.	QTY.	DESCRIPTION
1..	516 001902....	2 CASTER TIRE ASSY	12..	539 115749....	2 PLUG, CASTER
2..	539 976998....	2 ZERK	13..	539 112660....	2 BEARING, FLANGED
3..	539 102484....	4 BEARING, FLANGED	14..	539 115566....	2 HHB $\frac{5}{16}$ -18 x 1 NYLOC
4..	539 912234....	4 VALVE	15..	539 105543....	2 SPACER
5..	539 110183....	2 RIM	16..	539 121159....	2 RHSNB $\frac{1}{2}$ -13 x 6 $\frac{1}{2}$
6..	539 114697....	2 TIRE	17..	539 101331....	2 NUT $\frac{1}{2}$ HEX NYLOC
7..	539 115638....	2 ZERK	18..	539 109554....	2 WASHER $\frac{1}{2}$ FLT
8..	539 115747....	2 SPRING, CASTER	19..	510 186502....	2 YOKE, CASTER BLK
9..	539 117901....	2 BUSHING, CASTER	20..	539 114805....	4 SPACER $\frac{5}{16}$
10..	539 115675....	2 WASHER	21..	575 812402....	2 WHEEL ASSY REAR
11..	539 102535....	2 CAP, GREASE	22..	539 101173....	8 NUT $\frac{1}{2}$ LUG

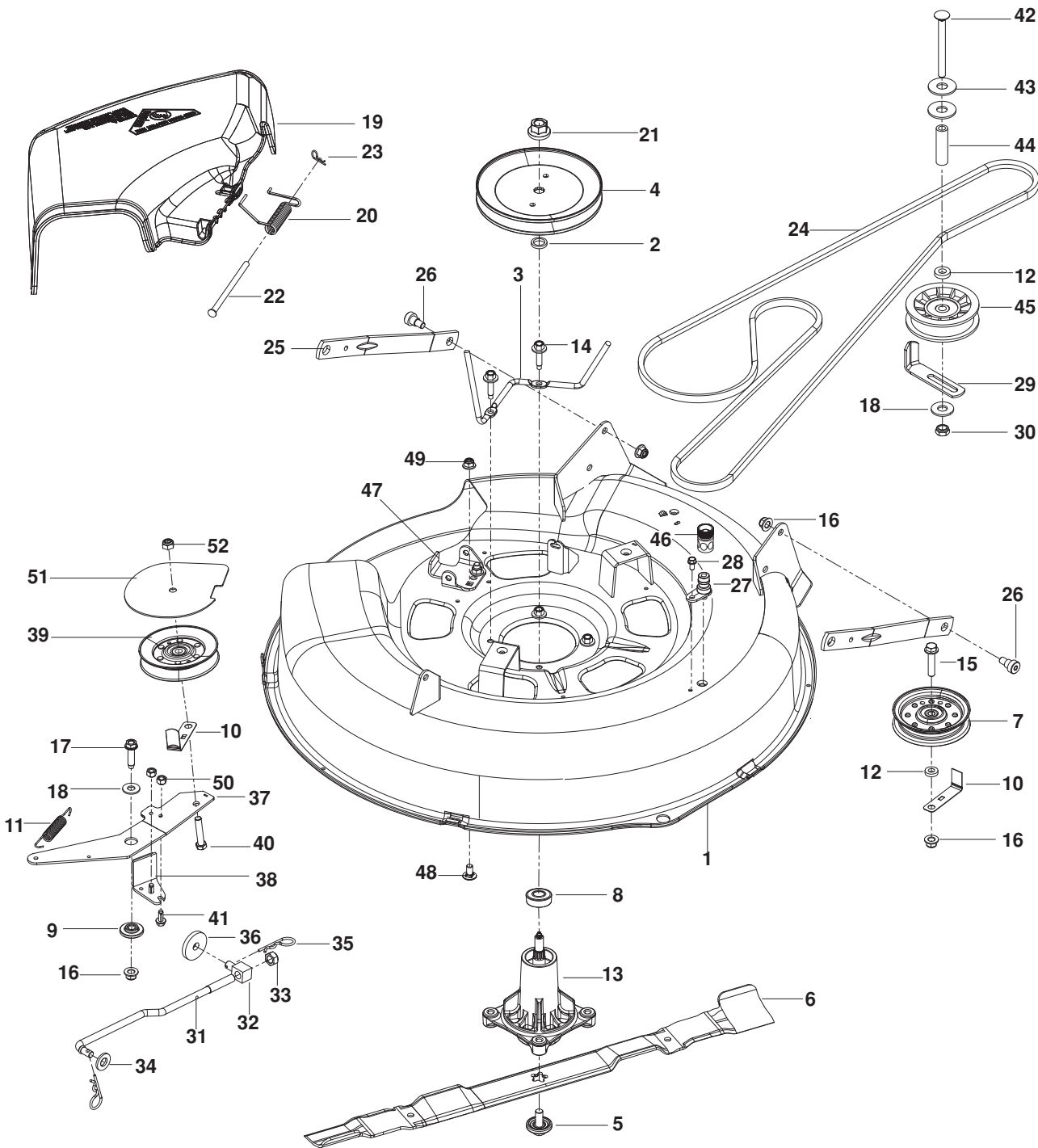
BRAKE / DECK LIFT



BRAKE / DECK LIFT

ITEM	PART NO.	QTY.	DESCRIPTION	ITEM	PART NO.	QTY.	DESCRIPTION
1..	525 580402....	1	HANDLE, LIFT	15..	539 101224....	2	SPRING
2..	525 580604....	1	SHAFT, LIFT	16..	539 990188....	6	WASHER ⁵ / ₁₆ SAE FLT
3..	525 580201....	2	BELLCRANK, BRAKE	17..	539 990717....	2	NUT ⁵ / ₁₆ -18 HEX NYLOC
4..	525 580301....	1	ROD, BRAKE	18..	539 976988....	4	HAIRPIN COTTER
5..	539 109368....	2	BUSHING, PLASTIC	19..	525 583601....	1	LINKAGE, BRAKE RT
6..	539 991034....	2	SCREW 10-24 x ⁵ / ₈ " WSH HD	20..	525 583701....	1	LINKAGE, BRAKE LT
7..	539 118179....	2	SWIVEL	21..	539 120220....	1	PIVOT, BRAKE ARM
8..	539 115658....	2	L-ROD 3 ¹ / ₂ "	22..	525 485602....	1	HANDLE, BRAKE
9..	539 976979....	3	NUT ³ / ₈ -16 HEX NYLOC	23..	539 100413....	1	RHSNB ³ / ₈ -16 x 1 ¹ / ₄
10..	539 990517....	7	WASHER ³ / ₈ FLT STD	24..	539 120921....	1	GRIP, BRAKE HANDLE
11..	539 976989....	6	HAIRPIN	25..	539 102843....	1	WASHER ⁷ / ₁₆ SPRING DISK
12..	539 112308....	2	SWIVEL, BRAKE	26..	539 133007....	1	WASHER, .825
13..	539 101082....	2	ROLL PIN ³ / ₁₆ "	27..	532 196492....	1	GRIP, LIFT HANDLE
14..	525 735701....	1	LINKAGE, UPPER				

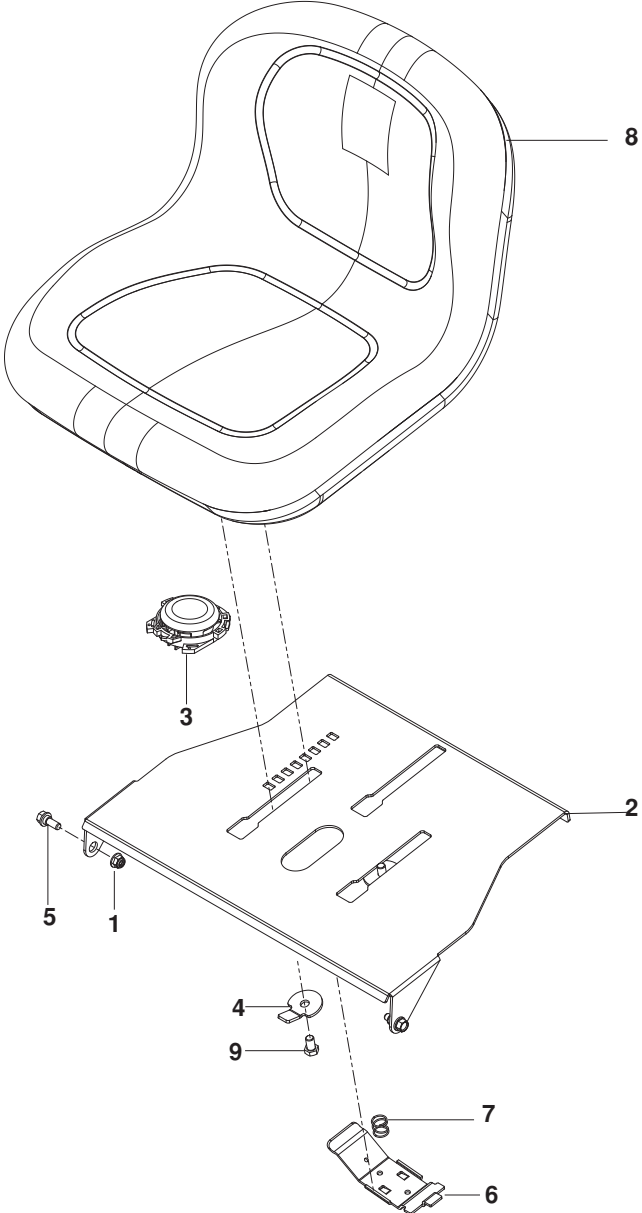
30" DECK



30" DECK

ITEM	PART NO.	QTY.	DESCRIPTION	ITEM	PART NO.	QTY.	DESCRIPTION
1..	574 453403....	1 DECK w/ DECALS BLK	28..	539 108461....	1 BOLT 1/4-20 x 1/2 HWST
2..	539 107520....	1 WASHER/SPACER	29..	525 851801....	1 GUIDE, BELT
3..	532 400140....	1 KEEPER, BELT	30..	539 200282....	1 NUT 3/8-16 HEX JAM NYLOC
4..	532 199791....	1 PULLEY, MANDREL	31..	532 195740....	1 LINK, SUSPENSION
5..	532 193003....	1 BOLT/WASHER ASSY	32..	539 114789....	1 SWIVEL
6..	532 419274....	1 BLADE, MOWER/MULCH	33..	573 975201....	1 NUT 7/16-20 HEX NYLOC
7..	532 175820....	1 PULLEY, IDLER	34..	539 990250....	1 WASHER 1/2 SAE
8..	539 112050....	1 BEARING, BALL	35..	539 976989....	2 HAIRPIN
9..	532 199092....	1 SPACER RETAINER	36..	539 106504....	1 WASHER 1 3/4 x 1/4 HEAVY
10..	529 311701....	2 KEEPER, BELT	37..	574 172804....	1 ARM, IDLER
11..	532 401872....	1 SPRING RETURN	38..	529 311801....	1 ARM, LH BRAKE
12..	539 109562....	2 WASHER 3/8 x 3/4	39..	532 173902....	1 IDLER V-GROOVE
13..	539 112057....	1 MANDREL ASSY	40..	539 990655....	1 HCS 3/8-16 x 1 1/2
14..	539 107630....	4 SCREW 5/16-18 WASHER HD	41..	539 107631....	2 SCREW 1/4-20 x 5/8 THDROLL
15..	539 990701....	1 BOLT 3/8-16 x 1 3/4 WHIZLK	42..	525 848601....	1 RHSNB 3/8-16 x 4
16..	521 996501....	5 NUT 3/8-16 FLANGE NYLOC	43..	539 104864....	2 WASHER 7/16 FLT
17..	539 110025....	1 BOLT 3/8-16 x 1 1/2 THD FRM	44..	525 848801....	1 SPACER .390 ID x 2 1/4
18..	539 990517....	2 WASHER 3/8 FLT STD	45..	539 110311....	1 PULLEY, DECK IDLER
19..	532 417344....	1 CHUTE, DISCHARGE	46..	532 416405....	1 COUPLING, QUICK DISC
20..	539 107609....	1 SPRING, TORSION	47..	532 192557....	1 BRACKET, DEFLECTOR
21..	539 107590....	1 NUT 9/16 TOP CENTER LOCK	48..	539 990799....	2 RHSNB 5/16-18 x 5/8
22..	539 110736....	1 PIN, CLEVIS	49..	539 112899....	2 NUT 5/16-18 FLANGE NYLOC
23..	539 976988....	1 HAIRPIN	50..	539 976978....	2 NUT 1/4-20 HEX NYLOC
24..	574 173002....	1 BELT, DECK	51..	573 970402....	1 COVER, PULLEY
25..	532 195185....	2 ARM, DECK SUSPENSION	52..	539 109332....	1 NUT 3/8-16 HEX JAM
26..	539 113621....	2 BOLT 3/8-16 x 3/8 SKT HD				
27..	532 415598....	1 WASHOUT PORT				

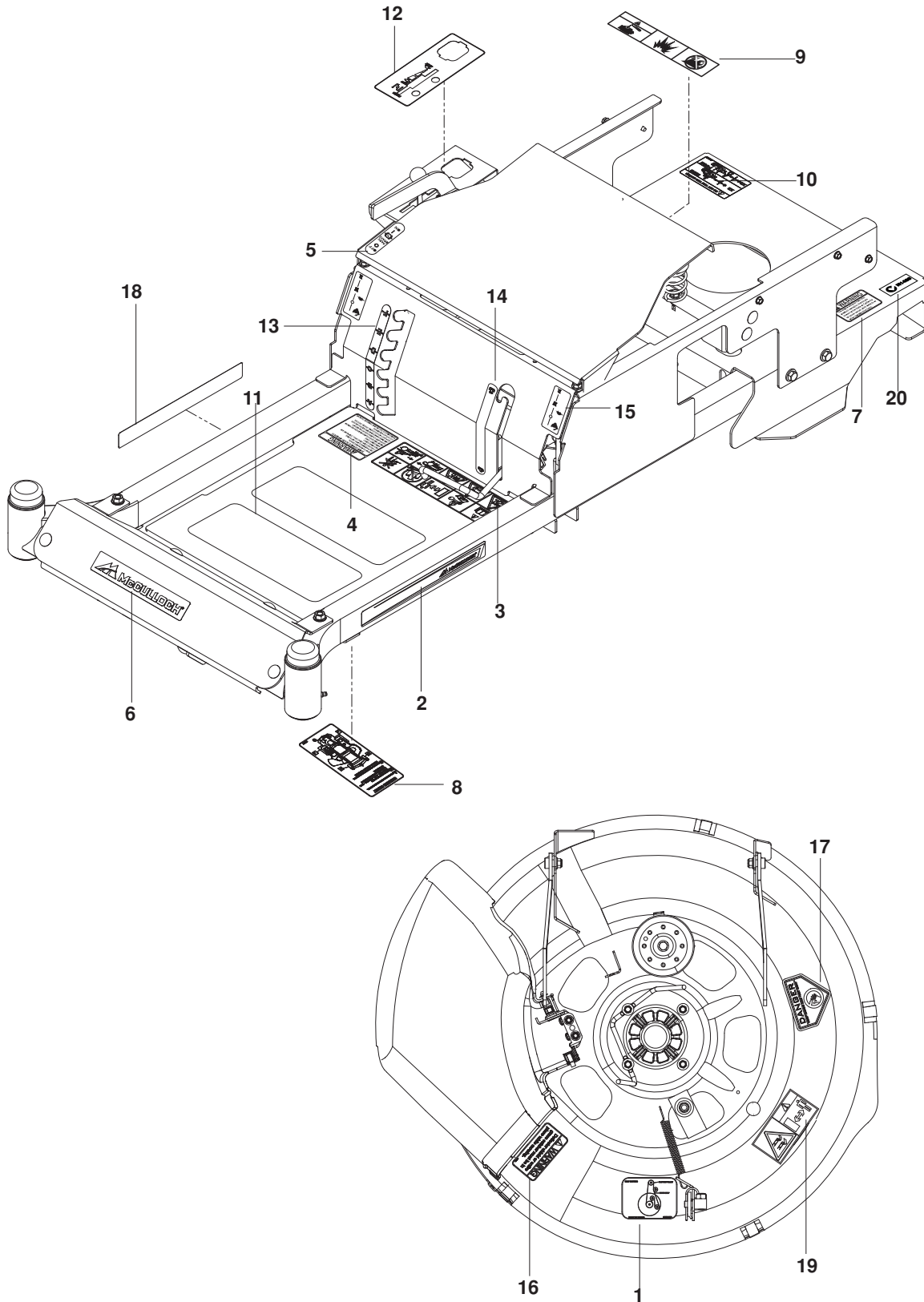
SEAT



SEAT

ITEM	PART NO.	QTY.	DESCRIPTION	ITEM	PART NO.	QTY.	DESCRIPTION
1..	539 112899....	2	NUT $\frac{5}{16}$ -18 FLANGE NYLOC	6..	532 197661....	1	HANDLE, SEAT SLIDE
2..	525 580004....	1	PLATE, SEAT BLK	7..	532 198200....	1	SPRING, SEAT SLIDE
3..	539 132140....	1	SWITCH, SEAT N/C	8..	532 424068....	1	SEAT
4..	574 191002....	1	STOP, SEAT	9..	539 108503....	3	HCS $\frac{3}{8}$ -16 x $\frac{5}{8}$
5..	539 110303....	2	BOLT $\frac{5}{16}$ -SHOULDER				

DECALS



DECALS

ITEM	PART NO.	QTY.	DESCRIPTION	ITEM	PART NO.	QTY.	DESCRIPTION
1..	525 798501....	1	DECAL, BELT ROUTING	12..	575 927001....	1	DECAL, CONTROL PANEL
2..	575 926802....	2	DECAL, LOGO LT	13..	525 814201....	1	DECAL, DECK HEIGHT
3..	539 109908....	1	DECAL, SAFETY WARNING	14..	525 814301....	1	DECAL, BLADE ENGAGE
4..	539 113213....	1	DECAL, WARNINGS	15..	575 927201....	2	DECAL, MOTION CONTROL
5..	539 120006....	1	DECAL, PARK BRAKE	16..	539 113224....	1	DECAL, WARNING
6..	575 926701....	1	DECAL, LOGO FRONT	17..	539 913010....	1	DECAL, BLADE WARN
7..	539 101881....	1	DECAL, PROP 65	18..	575 926801....	1	DECAL, LOGO, RT
8..	539 109897....	1	DECAL, SERVICE	19..	539 105746....	1	DECAL, SEVERING
9..	575 927001....	1	DECAL, BATTERY WARNING	20..	539 110279....	1	DECAL, ECM
10..	539 108385....	1	DECAL, DO NOT TOW				
11..	539 977778....	2	PAD, ABRASIVE				

