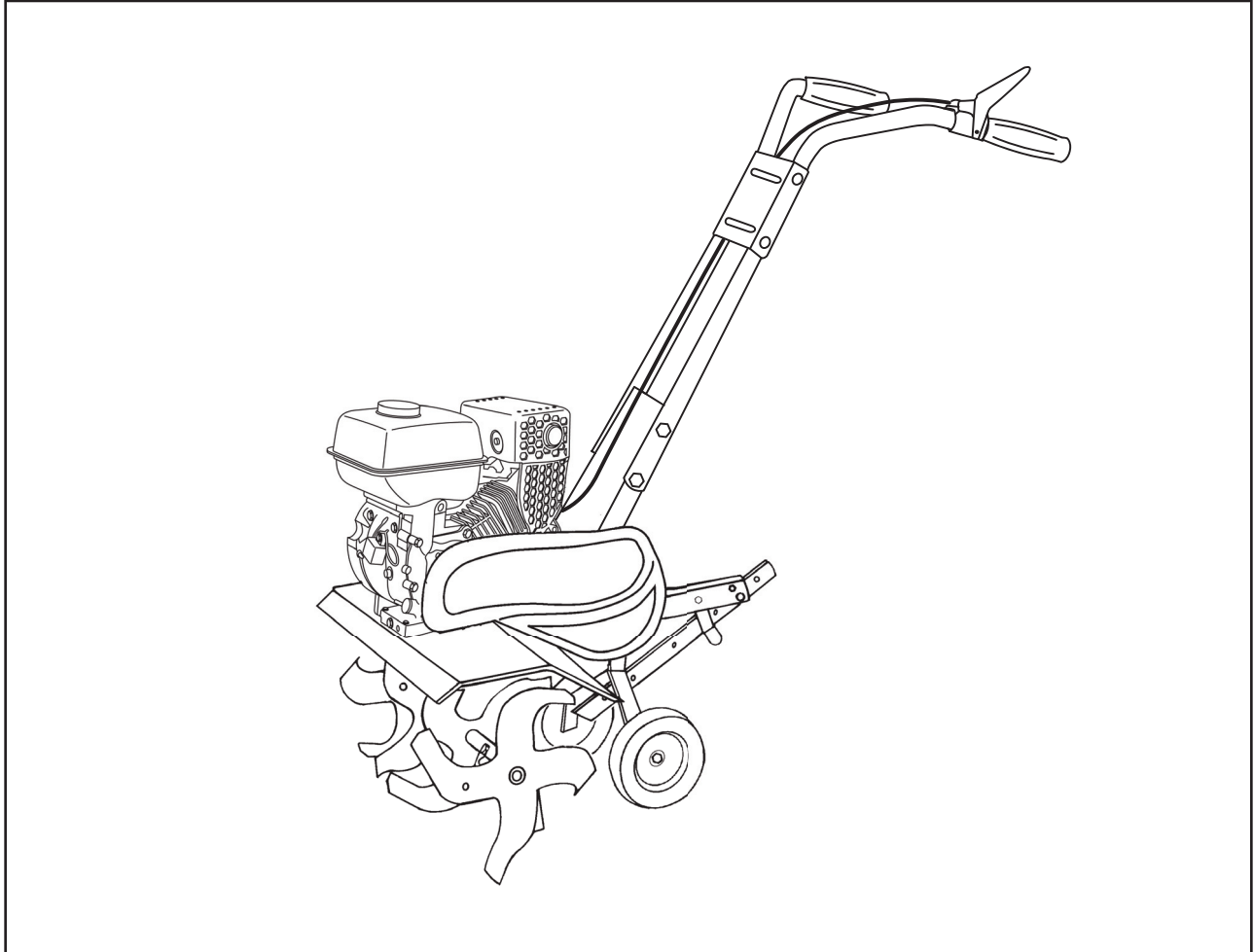




MCCULLOCH



REPAIR PARTS MANUAL

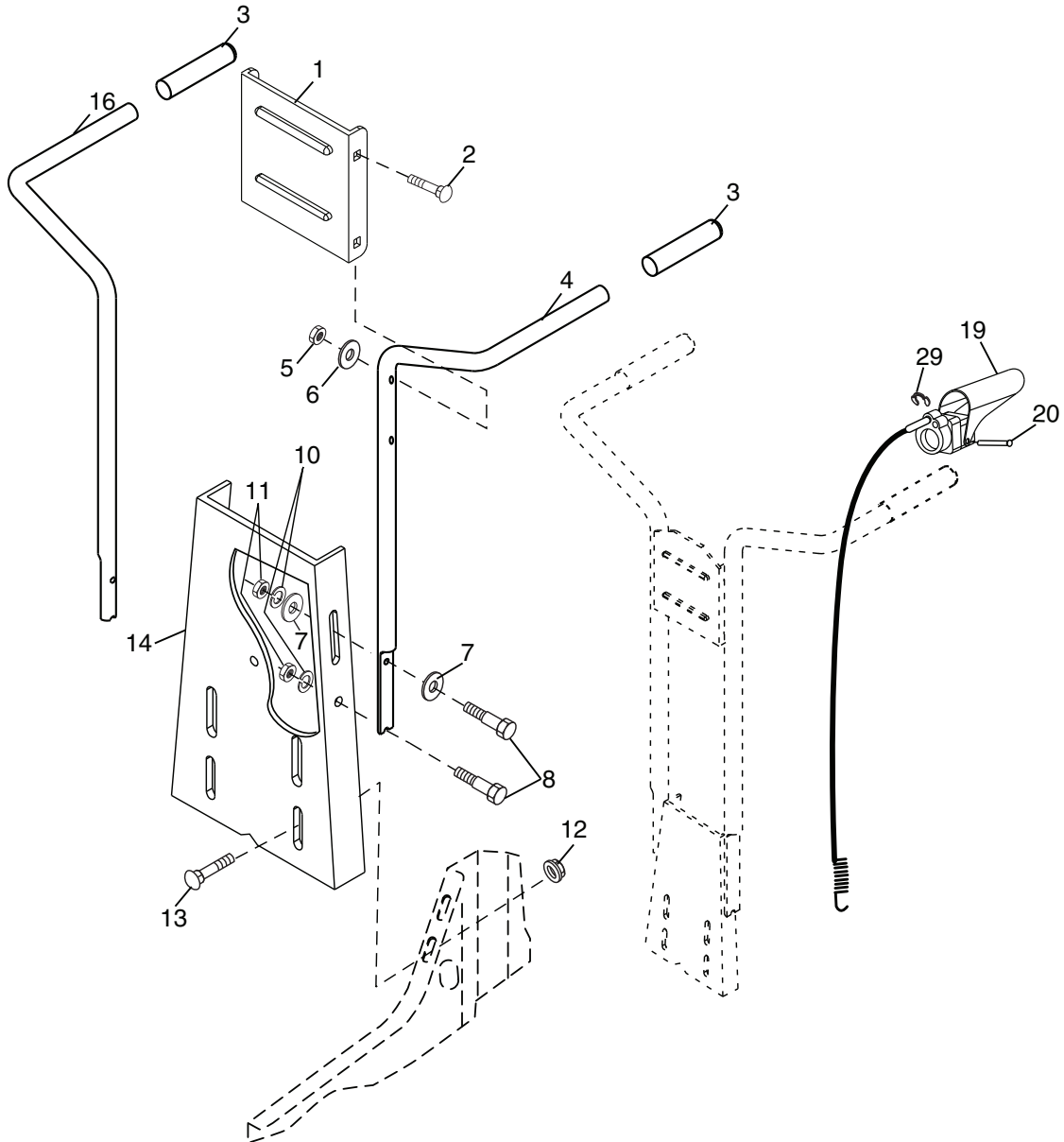
MODEL:

MC900

FRONT TINE TILLER

ALWAYS WEAR EYE PROTECTION DURING OPERATION

**FRONT TINE TILLER - MODEL NUMBER MC900 (96083000401) PRODUCT NO. 960 83 00-04
HANDLE ASSEMBLY**

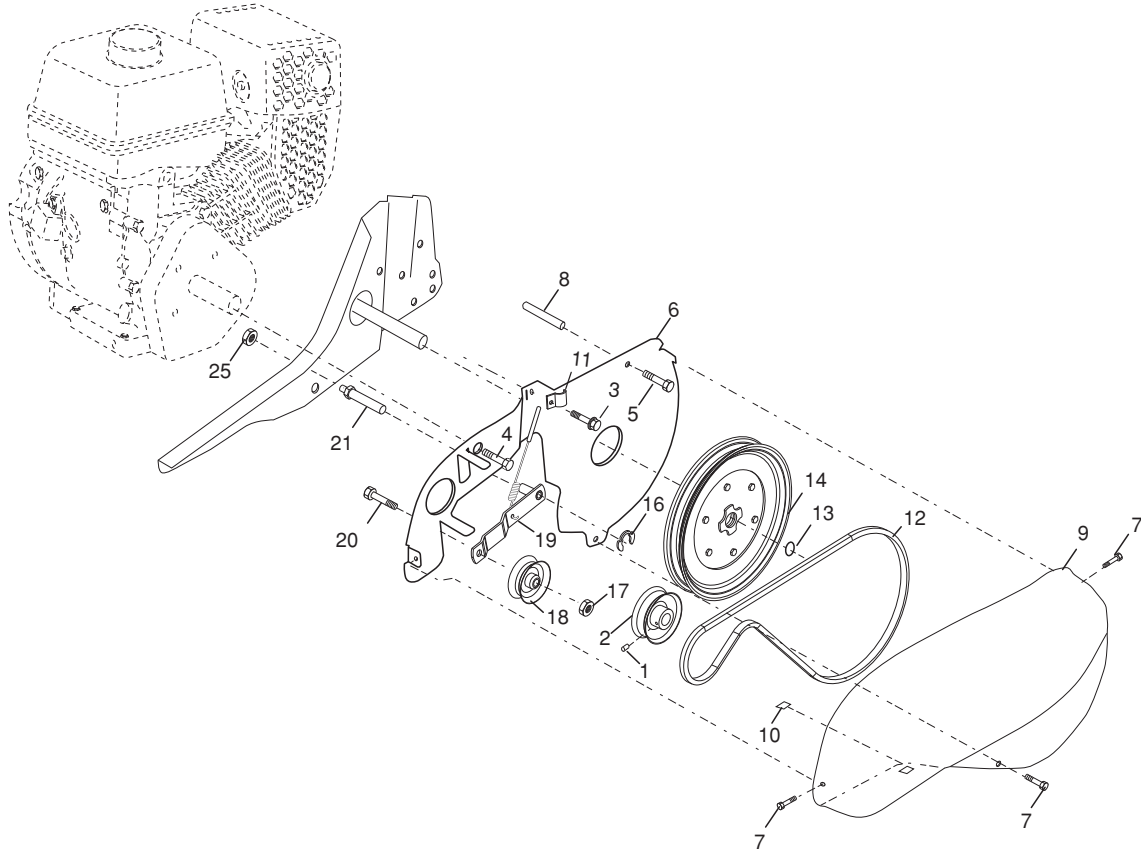


FT-handle_assy_2_r1

ITEM NO.	MFG. NO.	ARIENS PART NO.	DESCRIPTION	ITEM NO.	MFG. NO.	ARIENS PART NO.	DESCRIPTION
1	137176	21546089	Bracket, Handle	13	180847	21546218	Bolt, Carriage, Gr. 5 5/16-18 x 3/4
2	72140512	21546771	Bolt, Carriage 5/16-18 x 1-1/2	14	9209R	21546838	Panel, Handle
3	165787	21546171	Grip, Handle	16	166377	21546176	Handle, R.H.
4	166376	21546175	Handle, L.H.	19	188562	21546266	Tine Control Lever Assembly (Includes Cable)
5	73680500	21546784	Nut, Hex, Crownlock 5/16-18	20	188555	21546265	Pin, Pivot
6	19111116	21546279	Washer 11/32 x 11/16 x 16 Ga.	29	12000059	21546059	Retaining Ring
7	19121414	21546281	Washer 3/8 x 7/8 x 14 Ga.				
8	74760520	21546806	Bolt, Hex Head 5/16- 18 x 1-1/4				
10	10040500	21546002	Washer, Lock 5/16				
11	73220500	21546775	Nut, Hex 5/16-18				
12	98000129	21546840	Nut, Hex, Flanged 5/16-18				

NOTE: All component dimensions are given in U.S. inches.
1 inch = 25.4 mm

**FRONT TINE TILLER - MODEL NUMBER MC900 (96083000401) PRODUCT NO. 960 83 00-04
BELT GUARD AND PULLEY ASSEMBLY**



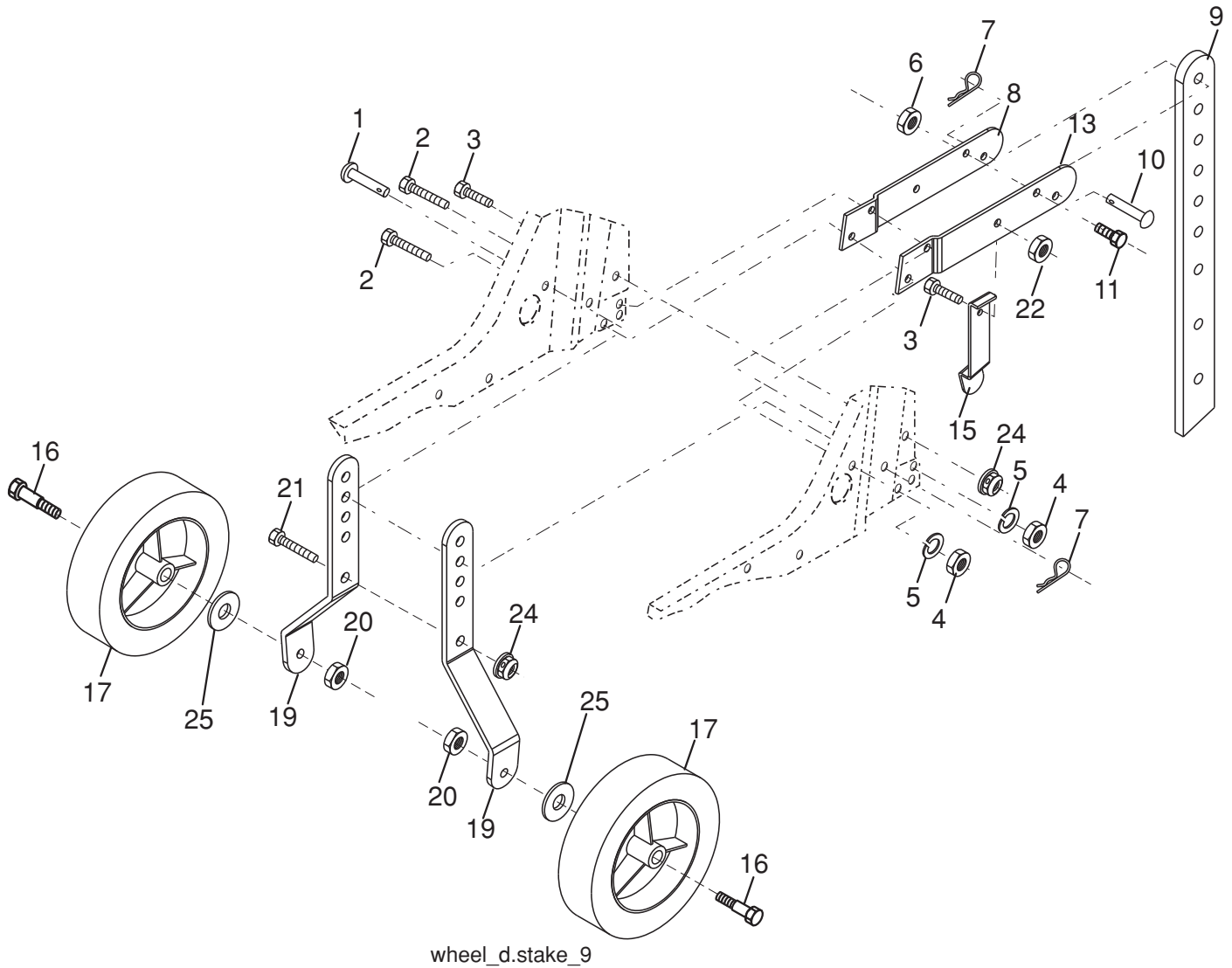
belt_guard_LCT_1

KEY NO.	PART NO.	DESCRIPTION
1	823 23 05-06	Screw Set 5/16-18 x 3/8 Patch
2	532 13 08-12	Sheave, Engine
3	532 08 67-77	Screw, Tap Hex Head
4	874 77 05-08	Bolt, Hex Head 5/16-24 unf x 1/2
5	817 49 04-40	Bolt, Thd Roller 1/4-20 x 2-1/2
6	532 42 29-20	Shield, Inner Belt Guard
7	532 17 04-88	Screw Hex Wsh Hd #8-18 x 1/2
8	532 13 91-55	Spacer Split
9	532 43 29-28	Guard, Belt
10	532 10 92-27	Pad, Idler
11	532 00 94-84	Clip, Cable
12	532 00 91-80	V-Belt

KEY NO.	PART NO.	DESCRIPTION
13	812 00 00-28	Ring, Retainer
14	532 15 12-23	Sheave, Transmisison
16	812 00 00-36	Ring, Klip
17	873 35 06-00	Nut, Hex, Jam 3/8-16
18	532 16 18-06	Pulley, Idler
19	532 17 53-77	Arm, Idler
20	874 76 06-20	Bolt, Hex Head 3/8-16 x 1-1/4
21	532 10 69-68	Shaft, Idler Arm
25	873 35 05-00	Nut, Hex, Jam 5/16-18

NOTE: All component dimensions given in U.S. inches.
1 inch = 25.4 mm

**FRONT TINE TILLER - MODEL NUMBER MC900 (96083000401) PRODUCT NO. 960 83 00-04
WHEEL AND DEPTH STAKE ASSEMBLY**



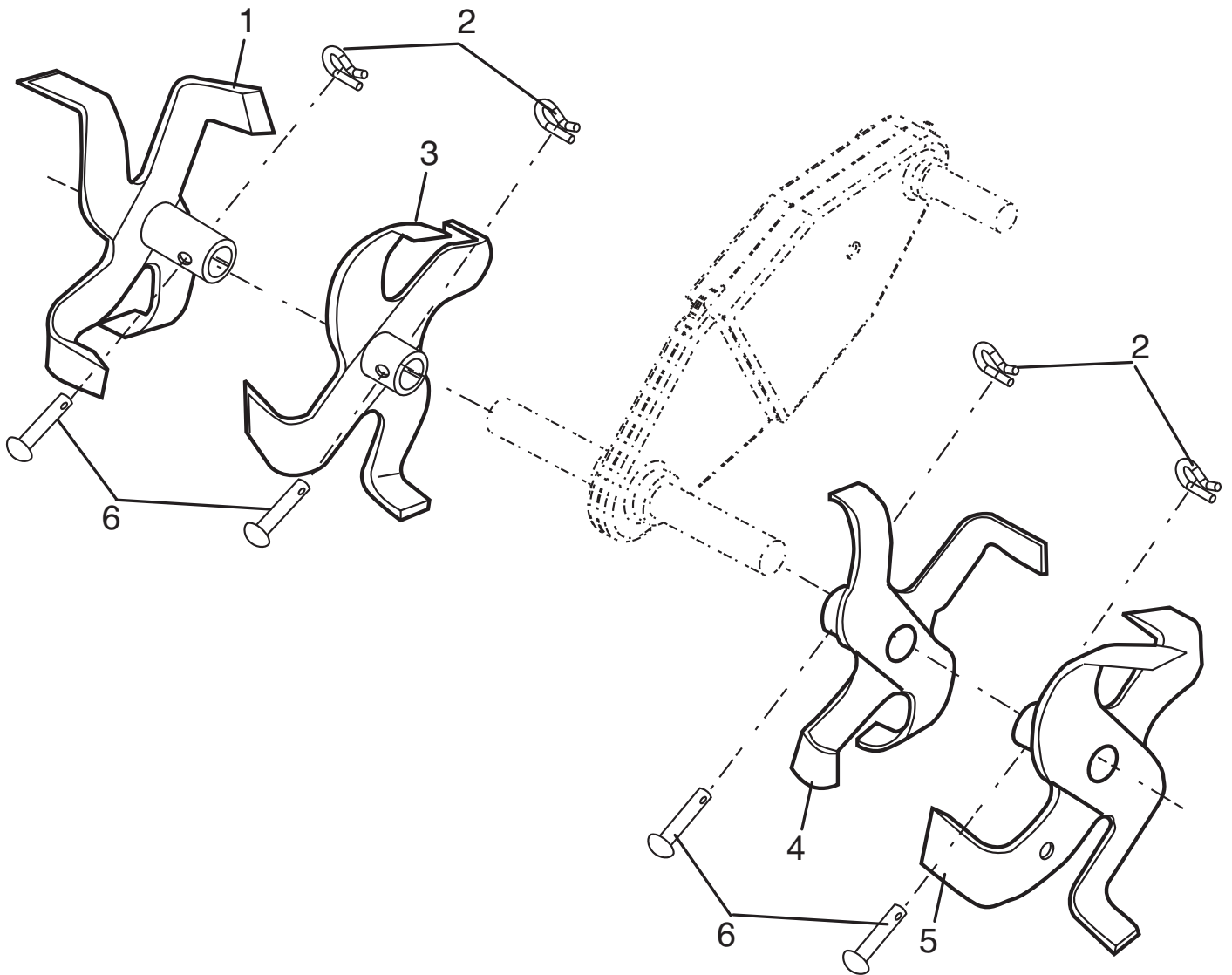
wheel_d.stake_9

KEY NO.	PART NO.	DESCRIPTION
1	532 00 91-94	Pin, Clevis
2	874 76 05-20	Bolt, Hex Head 5/16-18 x 1-1/4
3	874 76 05-12	Bolt, Hex Head 5/16-18 x 3/4
4	873 22 05-00	Nut, Hex 5/16-18
5	810 04 05-00	Washer, Lock 5/16
6	873 80 06-00	Locknut, Washer Insert 3/8-16
7	532 12 49-61	Clip, Hairpin
8	532 00 19-52	Support, Depth Stake, R.H.
9	532 12 22-33	Stake, Depth
10	532 00 03-26	Pin, Clevis
11	874 78 06-28	Bolt, Hex Head 3/8-16 x 1-3/4
13	532 00 19-51	Support, Depth Stake, L.H.

KEY NO.	PART NO.	DESCRIPTION
15	532 00 53-88	Spring, Stake
16	532 12 11-17	Bolt, Shoulder
17	532 40 61-55	Wheel
19	532 00 91-90	Bracket, Wheel
20	873 68 06-00	Nut, Hex, Crownlock 3/8-16
21	874 76 05-16	Bolt, Hex Head 5/16-18 x 1
22	873 80 05-00	Locknut, Washer Insert 5/16-18
24	873 97 05-00	Nut, Hex, Flangelock
25	819 17 14-16	Washer, 17/32 x 7/8 x 16 Ga.

NOTE: All component dimensions are given in U.S. inches.
1 inch = 25.4 mm

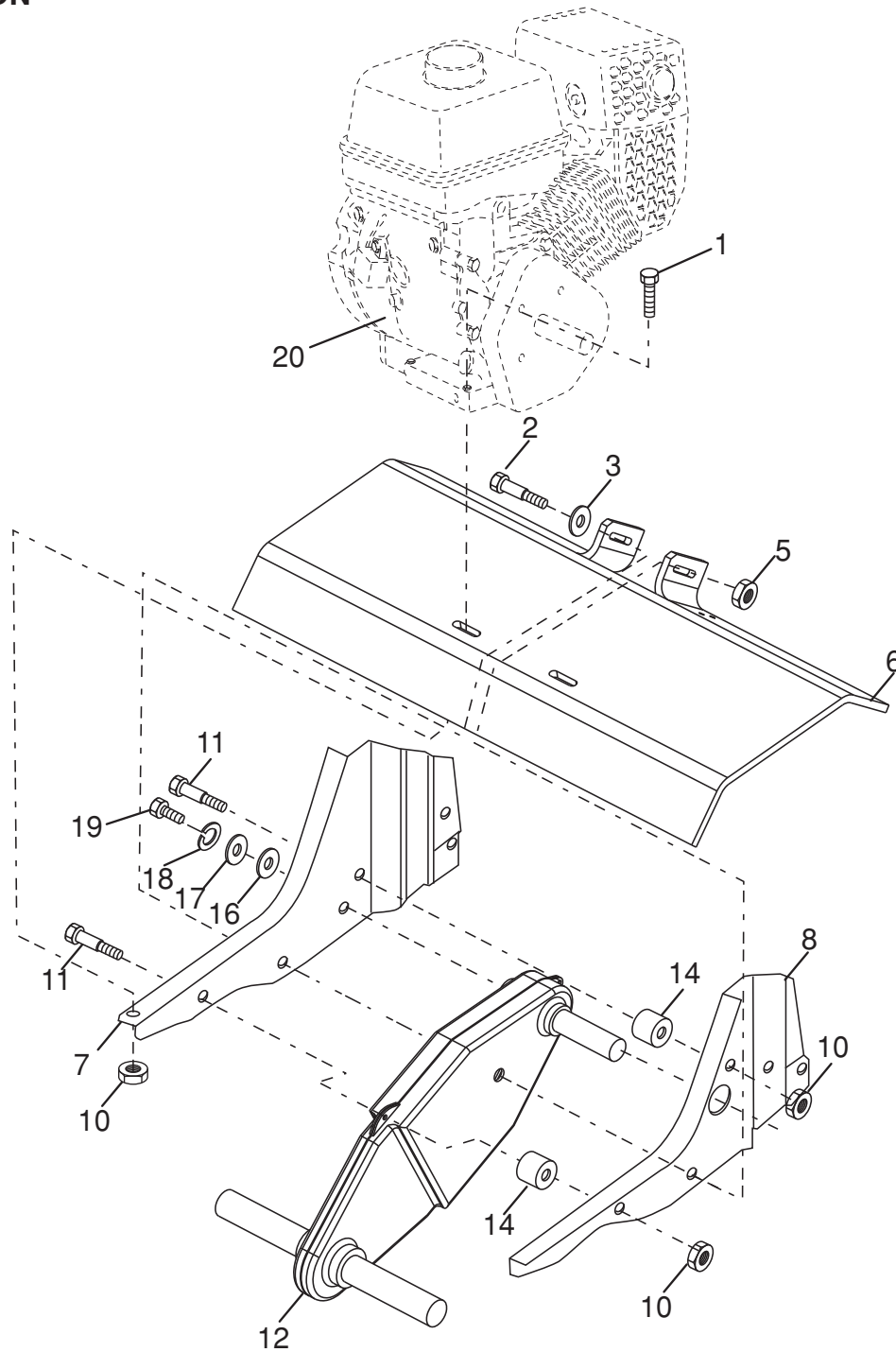
**FRONT TINE TILLER - MODEL NUMBER MC900 (96083000401) PRODUCT NO. 960 83 00-04
TINE ASSEMBLY**



tine_ipb_3

KEY NO.	PART NO.	DESCRIPTION
1	532 15 69-26	Tine, Outer, R.H.
2	532 12 46-60	Retainer, Spring
3	532 15 69-24	Tine, Inner, R.H.
4	532 15 69-23	Tine, Inner, L.H.
5	532 15 69-25	Tine, Outer, L.H.
6	532 00 49-29	Pin, Clevis

**FRONT TINE TILLER - MODEL NUMBER MC900 (96083000401) PRODUCT NO. 960 83 00-04
TRANSMISSION**



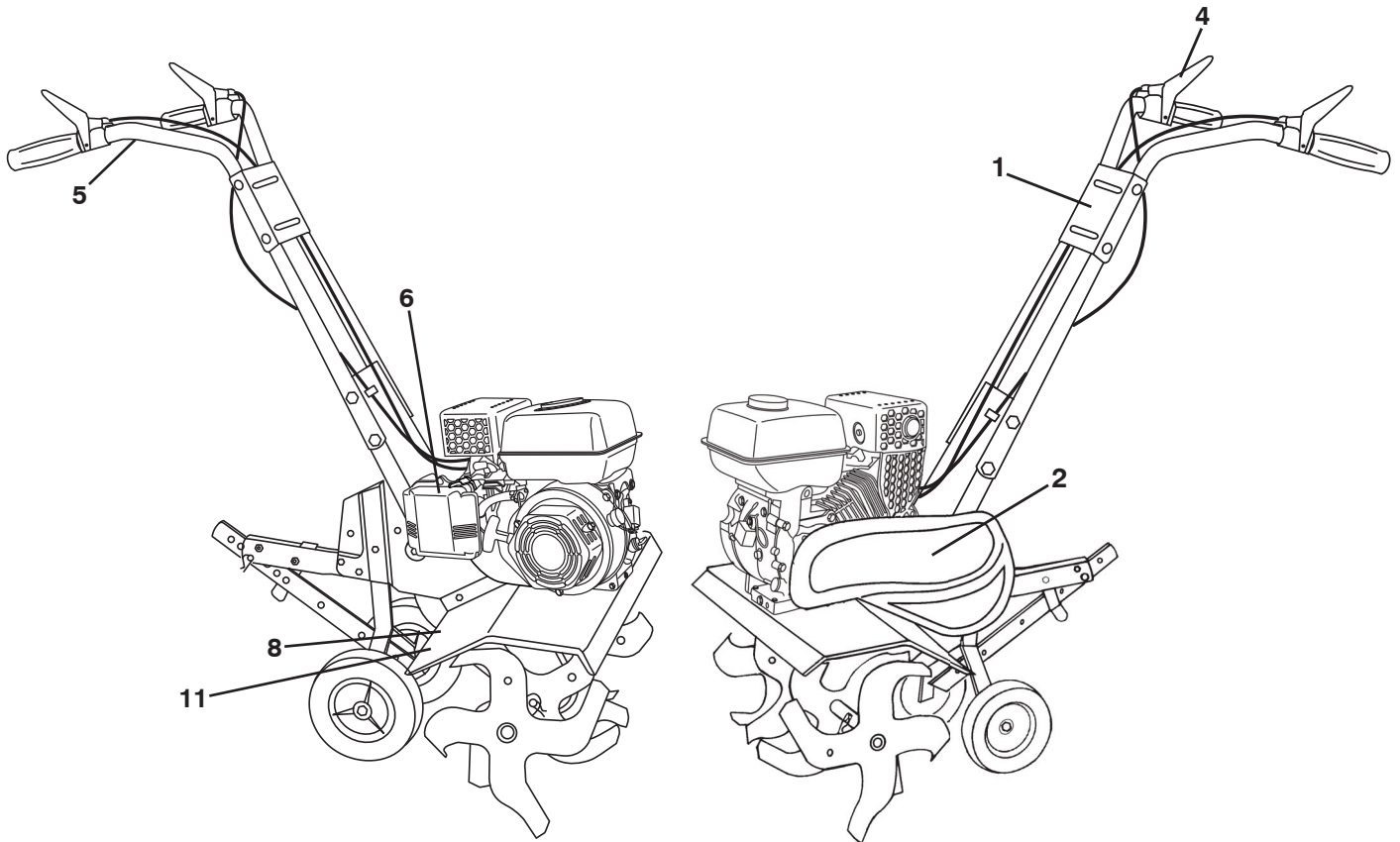
transmission_LCT_2

KEY NO.	PART NO.	DESCRIPTION
1	874 76 05-24	Bolt, Hex Head, Gr. 25/16-18 x 1-1/2
2	874 78 06-52	Bolt, Hex Head, 3/8-16 x 3-1/4
3	819 13 13-11	Washer, 3/32 x 13/16 x 11
5	873 90 06-00	Nut, Hex, Flangelock 3/8-16
6	532 43 29-19	Shield, Tine
7	532 18 81-95	Bracket, Engine, R.H.
8	532 16 58-34	Bracket, Engine, L.H.
10	873 97 05-00	Nut, Hex, Flangelock
11	532 18 79-12	Bolt, Shoulder
12	532 15 12-22	Transmission

KEY NO.	PART NO.	DESCRIPTION
14	532 00 91-73	Spacer, Split
16	819 09 14-12	Washer, 9/32 x 7/8 x 12 Ga.
17	819 09 20-16	Washer, 9/32 x 1-1/4 x 16 Ga.
18	810 04 04-00	Washer, Lock 1/4
19	874 61 04-12	Bolt, Hex Head, Gr. 51/4-28 x 3/4
20	-----	Engine, LCT, Model Number PLMHK14600124P-BPQE2 (Order parts from engine manufacturer)

NOTE: All component dimensions are given in U.S. inches.
1 inch = 25.4 mm

**FRONT TINE TILLER - MODEL NUMBER MC900 (96083000401) PRODUCT NO. 960 83 00-04
DECALS**



KEY NO.	PART NO.	DESCRIPTION
1	532 44 06-11	Decal, Console
2	532 44 00-86	Decal, Belt Guard
4	532 44 07-41	Decal, Clutch Operator's
5	532 12 04-31	Decal, Hand Placement
6	532 42 38-84	Decal, Engine A/C
8	532 16 22-15	Decal, Warning
11	532 12 00-75	Decal, Warning, Rotating Tines
--	532 43 99-60	Manual, Operator's, English
--	532 43 99-61	Manual, Operator's Spanish
--	532 43 99-62	Manual, Repair Parts

LIMITED WARRANTY

The Manufacturer warrants to the original consumer purchaser that this product as manufactured is free from defects in materials and workmanship. For a period of one (1) years from date of purchase by the original consumer purchaser, we will repair or replace, at our option, without charge for parts or labor incurred in replacing parts, any part which we find to be defective due to materials or workmanship. This Warranty is subject to the following limitations and exclusions.

1. This warranty does not apply to the engine, transaxle/transmission components, battery (except as noted below) or components parts thereof. Please refer to the applicable manufacturer's warranty on these items.
2. Transportation charges for the movement of any power equipment unit or attachment are the responsibility of the purchaser. Transportation charges for any parts submitted for replacement under this warranty must be paid by the purchaser unless such return is requested by the manufacturer.
3. Battery Warranty: On products equipped with a Battery, we will replace, without charge to you, any battery which we find to be defective in manufacture, during the first ninety (90) days of ownership. After ninety (90) days, we will exchange the Battery, charging you 1/12 of the price of a new Battery for each full month from the date of the original sale. Battery must be maintained in accordance with the instructions furnished.
4. The Warranty period for any products used for rental or commercial purposes is limited to 90 days from the date of original purchase.
5. This Warranty applies only to products which have been properly assembled, adjusted, operated, and maintained in accordance with the instructions furnished. This Warranty does not apply to any product which has been subjected to alteration, misuse, abuse, improper assembly or installation, delivery damage, or to normal wear of the product.
6. Exclusions: Excluded from this Warranty are belts, blades, blade adapters, normal wear, normal adjustments, standard hardware and normal maintenance.
7. In the event you have a claim under this Warranty, you must return the product to an authorized service dealer.

Should you have any unanswered questions concerning this Warranty, please contact:

HOP
Outdoor Products Customer Service Dept.
9335 Harris Corners Parkway
Charlotte, NC 28269 USA

In Canada contact:
HOP
5855 Terry Fox Way
Mississauga, Ontario
L5V 3E4

giving the model number, serial number and date of purchase of your product and the name and address of the authorized dealer from whom it was purchased.

THIS WARRANTY DOES NOT APPLY TO INCIDENTAL OR CONSEQUENTIAL DAMAGES AND ANY IMPLIED WARRANTIES ARE LIMITED TO THE SAME TIME PERIODS STATED HEREIN FOR OUR EXPRESSED WARRANTIES. Some areas do not allow the limitation of consequential damages or limitations of how long an implied Warranty may last, so the above limitations or exclusions may not apply to you. This Warranty gives you specific legal rights, and you may have other rights which vary from locale to locale.

This is a limited Warranty within the meaning of that term as defined in the Magnuson-Moss Act of 1975.