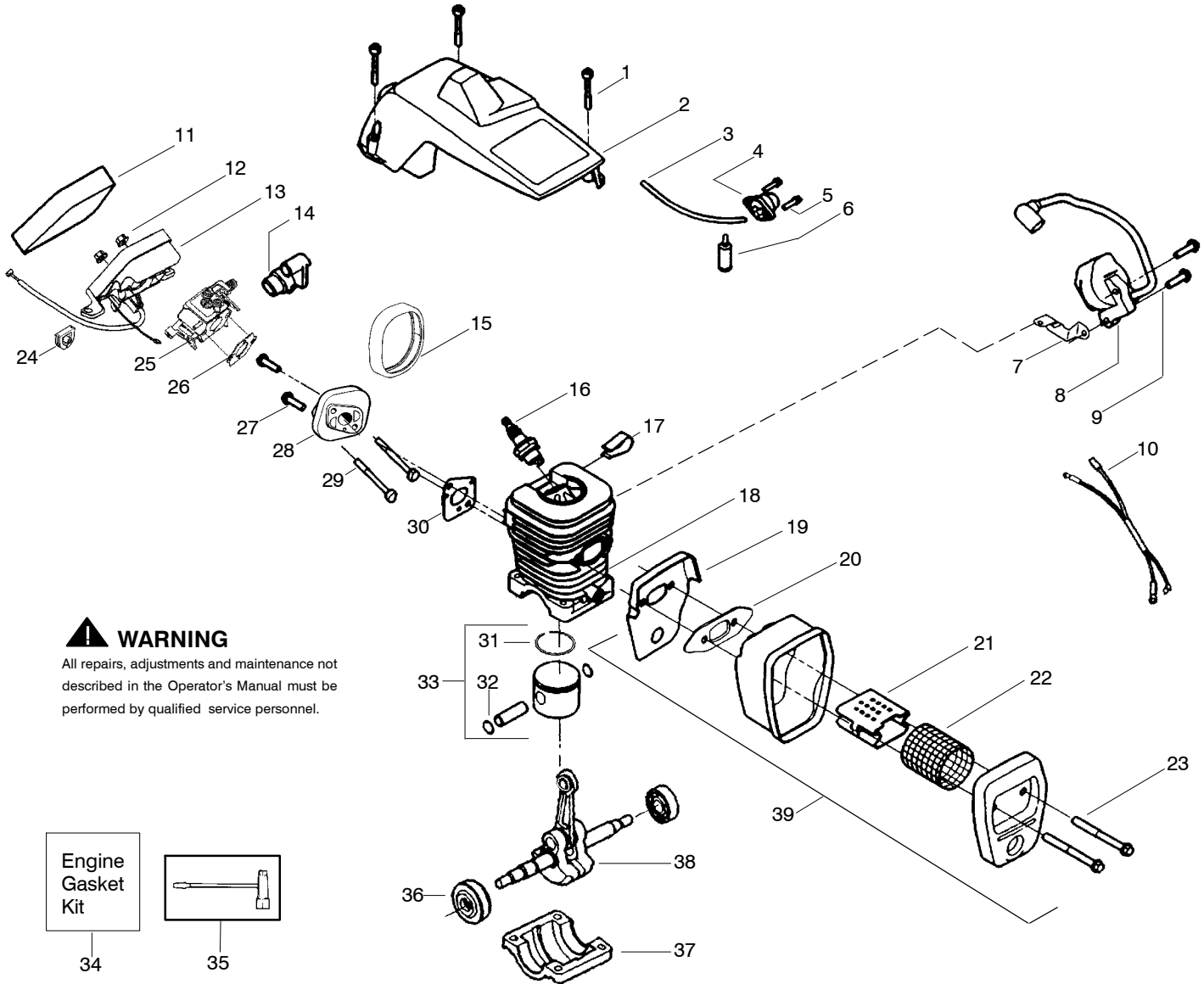


WARNING
All repairs, adjustments and maintenance not described in the Operator's Manual must be performed by qualified service personnel.

Ref.	Part No.	Description	Ref.	Part No.	Description	Ref.	Part No.	Description
1.	530059667	Assy.-Isolator	27.	530069232	Kit - Rope	52.	530015907	Washer-Thrust
2.	530047608	Limiter Strap	28.	530056402	Handle-Starter	53.	530047061	Assy.-Clutch Drum
3.	530059668	Spring-Isolator	29.	530027531	Spring-Recoil			w/bearing
4.	530015158	Washer	30.	530015920	Screw	54.	530015611	Washer-Clutch
5.	530016018	Screw	31.	530015127	Washer-Flywheel	55.	530014949	Assy. Clutch
6.	530015843	Screw	32.	530047534	Assy-Flywheel	56.	530071259	Kit - Oil Pump
7.	545048001	Front Handle	33.	530047192	Assy-Fuel Cap			(incl. 57,58,60)
8.	530015940	Screw	34.	530023877	Fitting-fuel line	57.	530037820	Gear-Worm Spring
9.	530015814	Screw	35.	530069216	Kit-Fuel line (large)	58.	530049477	Elbow-Oil Pickup
10.	530044691	Bar - 14"	36.	530016149	Spring-Switch	59.	530016064	Screw
	530044692	Bar - 16"	37.	530015775	Screw	60.	530019206	Seal Block
11.	530051451	Chain - 14"	38.	530047581	Cover-Rear Handle	61.	530047663	Assy-Oil Pick-up
	530051442	Chain - 16"	39.	530015886	Screw			(Incl. 62,63)
12.	530014381	Kit-Spike (Incl. 13)	40.	530015906	Screw	62.	530038373	Pick-up Oiler
13.	530016439	Screw	41.	530036098	Throttle Lockout	63.	530056533	Filter-Oil
14.	530016132	Screw	42.	530036097	Trigger-Throttle	64.	545139901	Assy.-Chain Brake
15.	530038238	Plate-Bar Mount.	43.	545025001	Handle - Rear	65.	530015917	Nut-Bar Mounting
16.	530015814	Screw	44.	530071958	Kit-Isolator (Upper)	66.	530015826	Pin-Bar Adjust
17.	530029850	Chain Catcher	45.	530015875	Screw	67.	530038593	Retainer
18.	530016133	Bolt-Bar	46.	530059668	Spring-Isolator	68.	530069611	Kit-Bar Adjusting
19.	530057236	Assy-Oil Cap	47.	530057473	Lever-Switch			(incl. # 66,67)
20.	530071666	Kit-Oil Vent	48.	530057474	Lever-Choke			
21.	530016134	Nut-Flywheel	49.	530049005	Grommet-Knob			
22.	530016080	Screw	50.	530015922	Nut-"U"-Type			
23.	530037817	Starter Pulley	51.	530058730	Assy-Chassis			(fuel lines and caps)
24.	530055723	Baffle - Air						
25.	530015892	Screw						
26.	530056333	Housing-Fan						

★ = NEW PART NUMBER FOR THIS IPL

★ = REFER TO THE SERVICE REFERENCE INDICATED FOR MORE INFORMATION. (LOCATED AT END OF IPL)



⚠ WARNING

All repairs, adjustments and maintenance not described in the Operator's Manual must be performed by qualified service personnel.

Ref.	Part No.	Description	Ref.	Part No.	Description	Ref.	Part No.	Description
1.	530016153	Screw	21.	530037813	Diffuser - Muffler	38. ✓	545113101	Assy - Crankshaft
2.	530055709	Assy - Cylinder Shield	22.	530036103	Screen - Spark	39.	530047207	Assy - Muffler (Incl. 19,20,21,22,23)
3.	530069247	Kit - Fuel Line (Small)	23.	530016132	Bolt - Muffler			Not Shown
4.	530071835	Kit - Air Purge (incl. #5)	24.	530047631	Grommet - Throttle Cable			---
5.	530015780	Screw	25.	545081885	Kit - Carburetor (WT-891) (Incl. Grommet)			Manual
6.	530095646	Assy - Fuel Pick-up	26.	530069608	Gasket - Carb. (kit)			(Euro 1)
7.	530047442	Strap - Ground	27.	530016386	Screw			(Euro 2)
8.	530039167	Ignition Module	28.	530049700	Carb. Adapter			(Euro 3)
9.	530015814	Screw	29.	530016187	Screw			(Euro 4)
10.	530057475	Assy - Wire Harness	30.	530069608	Gasket - Adaptor (kit)			(Euro 5)
11.	530037793	Foam - Air Filter	31.	530037380	Ring - Piston			(Russian)
12.	530016101	Nut	32.	530015697	Retainer - Piston Pin			(Turkish)
13.	530057702	Assy - Air Box	33.	545081872	Kit - Piston (Incl. 31 & 32)			545167627
14. ✓	530049244	Grommet - Carb Adjust	34.	530069608	Kit - Engine Gasket (Incl. 20, 26 & 30)			545167628
15.	530054144	Seal - Carb Adapter	35.	530031135	Scrench			545167629
16.	952030150	Spark Plug (RCJ-7Y)	36.	530056363	Assy - Seal & Bearing			545167630
17.	530016136	Clip - High Tension Lead	37.	530037935	Cap - Crankcase			545167631
18.	545122101	Cylinder						545167632
19.	530049870	Backplate - Muffler						545167633
20.	530069608	Gasket - Muffler (kit)						545003025
								✓ 545003009
								Decal - Warning Decal - Warning (Euro)

✓ = NEW PART NUMBER FOR THIS IPL

* = REFER TO THE SERVICE REFERENCE INDICATED FOR MORE INFORMATION. (LOCATED AT END OF IPL)