

### LIMITED WARRANTY

The Manufacturer warrants to the original consumer purchaser that this product as manufactured is free from defects in materials and workmanship. For a period of two (2) years from date of purchase by the original consumer purchaser, we will repair or replace, at our option, without charge for parts or labor incurred in replacing parts, any part which we find to be defective due to materials or workmanship. This Warranty is subject to the following limitations and exclusions.

1. This warranty does not apply to the engine, transaxle/transmission components, battery (except as noted below) or components parts thereof. Please refer to the applicable manufacturer's warranty on these items.
2. Transportation charges for the movement of any power equipment unit or attachment are the responsibility of the purchaser. Transportation charges for any parts submitted for replacement under this warranty must be paid by the purchaser unless such return is requested by the manufacturer.
3. Battery Warranty: On products equipped with a Battery, we will replace, without charge to you, any battery which we find to be defective in manufacture, during the first ninety (90) days of ownership. After ninety (90) days, we will exchange the Battery, charging you 1/12 of the price of a new Battery for each full month from the date of the original sale. Battery must be maintained in accordance with the instructions furnished.
4. The Warranty period for any products used for rental or commercial purposes is limited to 45 days from the date of original purchase.
5. This Warranty applies only to products which have been properly assembled, adjusted, operated, and maintained in accordance with the instructions furnished. This Warranty does not apply to any product which has been subjected to alteration, misuse, abuse, improper assembly or installation, delivery damage, or to normal wear of the product.
6. Exclusions: Excluded from this Warranty are belts, blades, blade adapters, normal wear, normal adjustments, standard hardware and normal maintenance.
7. In the event you have a claim under this Warranty, you must return the product to an authorized service dealer.

Should you have any unanswered questions concerning this Warranty, contact:

HOP  
Customer Service Department  
1030 Stevens Creek Road  
Augusta, GA 30907 USA

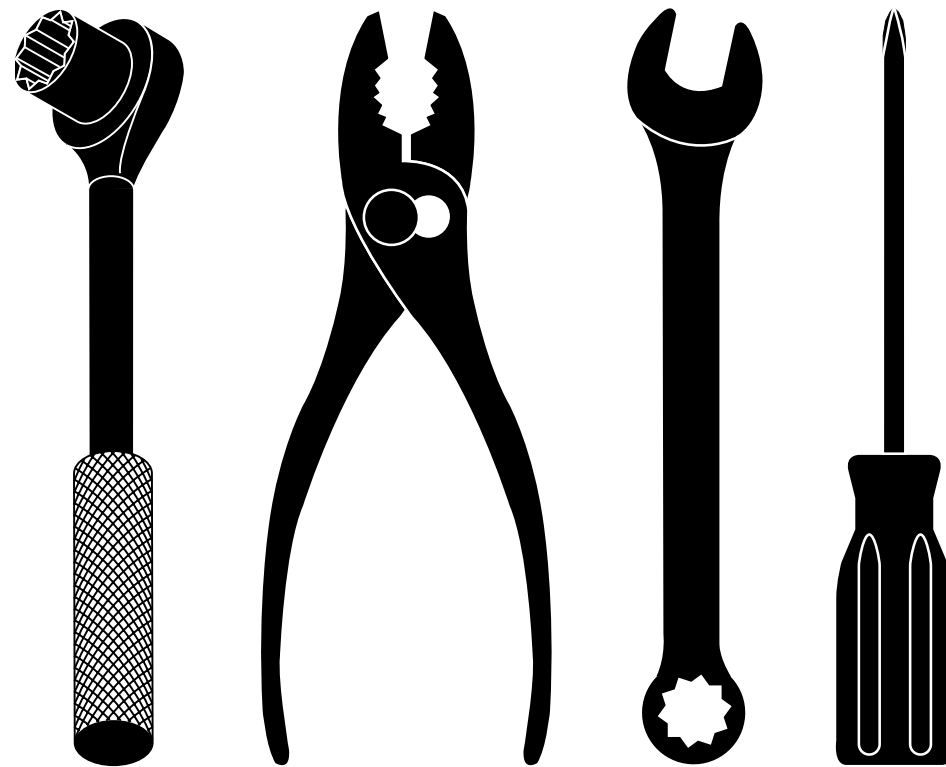
In Canada contact:  
HOP  
Customer Service Department  
5855 Terry Fox Way  
Mississauga, Ontario L5V 3E4

giving the model number, serial number and date of purchase of your product and the name and address of the authorized dealer from whom it was purchased.

**THIS WARRANTY DOES NOT APPLY TO INCIDENTAL OR CONSEQUENTIAL DAMAGES AND ANY IMPLIED WARRANTIES ARE LIMITED TO THE SAME TIME PERIODS STATED HEREIN FOR OUR EXPRESSED WARRANTIES.**

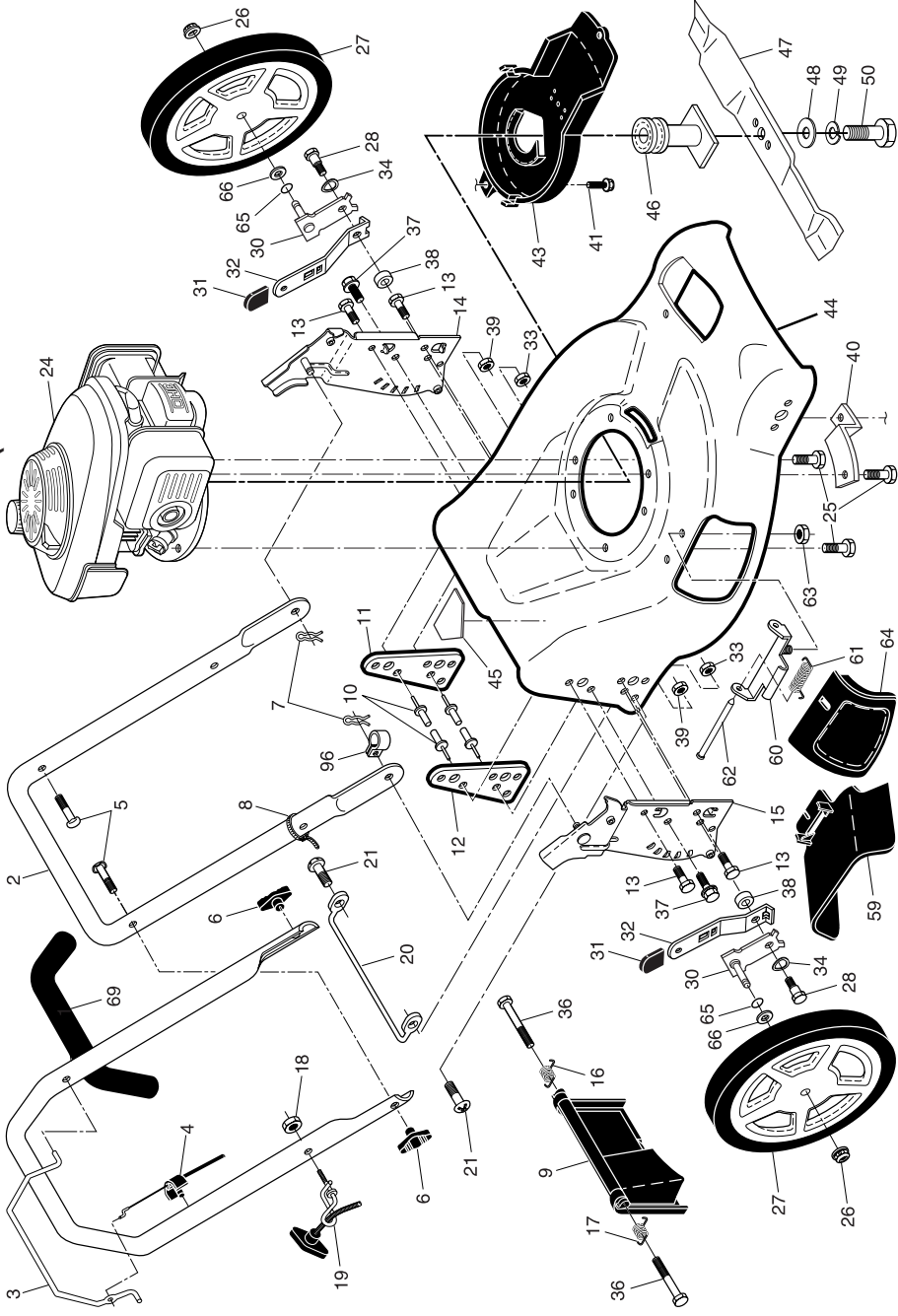
Some areas do not allow the limitation of consequential damages or limitations of how long an implied Warranty may last, so the above limitations or exclusions may not apply to you. This Warranty gives you specific legal rights, and you may have other rights which vary from locale to locale.

This is a limited Warranty within the meaning of that term as defined in the Magnuson-Moss Act of 1975.



# REPAIR PARTS MANUAL MODEL NO. EDITION 1 (MFG. ID. NO. 96141020600) Rotary Lawn Mower





# SERVICE NOTES

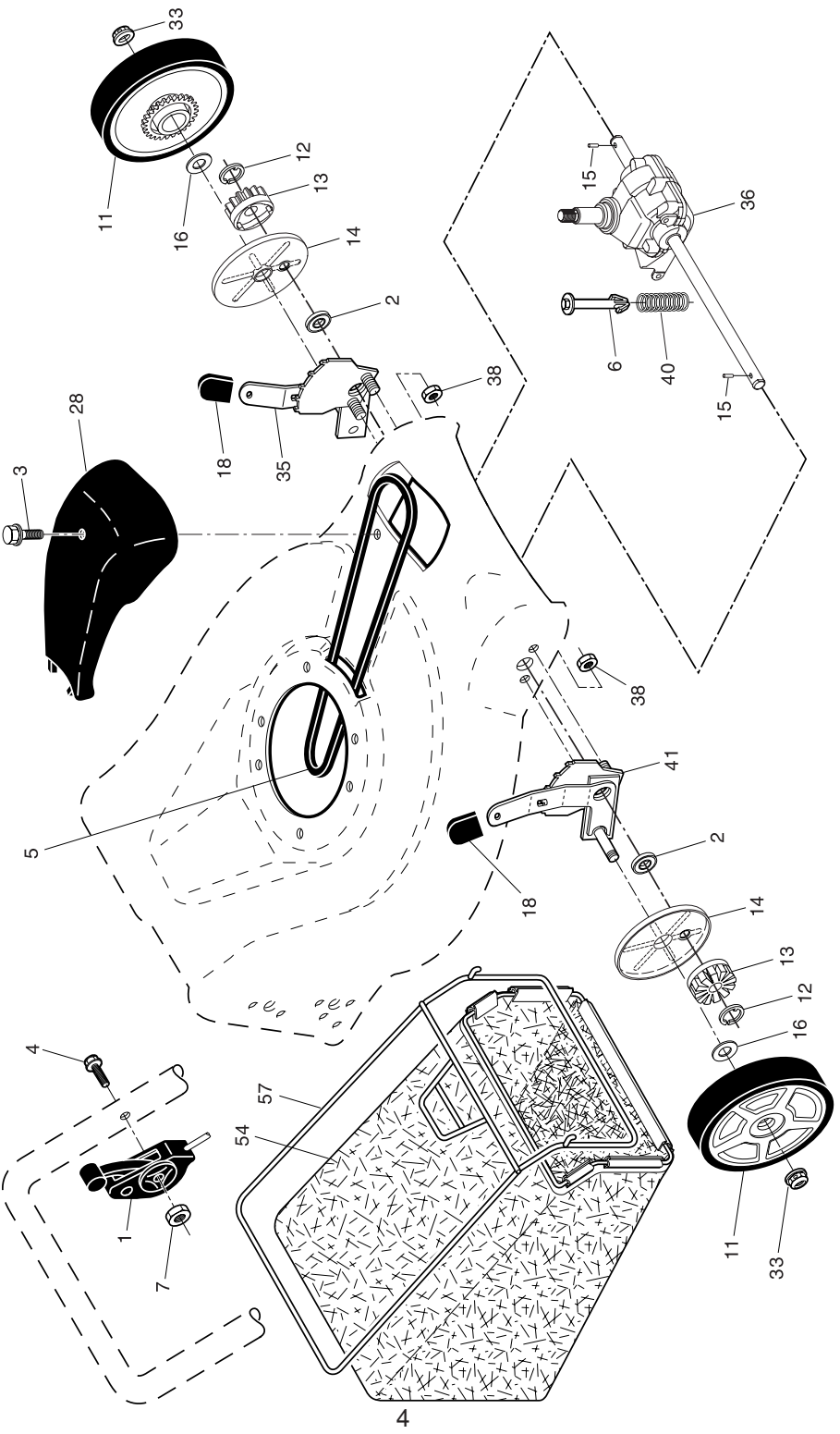
## ROTARY LAWN MOWER - - MODEL NUMBER EDITION 1 (MFG. ID. NUMBER 96141020600)

KEY NO.	PART NO.	DESCRIPTION	KEY NO.	PART NO.	DESCRIPTION	KEY NO.	PART NO.	DESCRIPTION
1	532 40 12-50	Upper Handle Assembly (Includes Foam Grip)	25	532 15 04-06	Hex Head Thread Rolling	45	532 18 21-66	Danger Decal
2	532 15 36-05	Lower Handle	26	532 40 91-49	Hex Flange Nut	46	532 40 46-33	Blade Adapter / Pulley
3	532 18 99-03	Control Bar	27	532 42 57-66	Wheel & Tire Assembly, Rear, 12"	47	532 19 93-77	Blade 21"
4	532 18 35-67	Engine Zone Control Cable	28	532 40 16-38	Shoulder Bolt 5/16-18 x .33	48	532 85 10-74	Hardened Washer
5	532 19 15-74	Handle Bolt	30	532 41 31-41	Axle Arm Assembly, Rear	49	532 85 02-63	Helical Washer
6	532 19 19-38	Handle Knob	31	532 70 10-37	Selector Knob	50	532 85 10-84	Hex Head Machine Screw 3/8-24 x 1-3/8 Grade 8
7	532 05 17-93	Hairpin Cotter	32	532 40 98-89	Selector Spring	59	532 17 50-71	Discharge Deflector
8	532 06 64-26	Wire Tie	33	873 80 05-00	Nut, Hex 5/16-18	60	532 17 57-35	Hinge Bracket Assembly
9	532 40 69-85	Rear Door Assembly	34	532 40 16-30	Washer, Curved, Cylindrical	61	532 19 30-00	Spring, Hinge
10	532 12 84-15	Pop Rivet	36	532 18 41-93	Bolt	62	532 17 56-50	Rod, Hinge
11	532 41 05-40	Support Bracket, LH	37	874 78 05-12	Thread Cutting Screw w/Sems 5/16-18 x 3/4	63	873 80 04-00	Locknut, Hex 1/4-20
12	532 41 05-42	Support Bracket, RH	38	532 40 16-29	Spacer	64	532 17 50-66	Mulcher Door
13	817 06 04-10	Screw 1/4-20 x 5/8	39	532 15 53-77	Nut, Hex, Flanged 5/16-18	65	532 19 74-80	O-Ring
14	532 18 25-43	Handle Bracket Assembly, LH	40	532 19 09-39	Mounting Bracket,	66	532 08 83-48	Washer, Flat
15	532 18 25-45	Handle Bracket Assembly, RH	41	532 19 23-25	Debris Shield	69	532 16 42-65	Grip, Foam
16	532 40 54-17	Spring, Rear Door, LH	43	532 40 58-45	Debris Shield	96	532 19 79-91	Clip, Cable
17	532 40 54-18	Spring, Rear Door, RH	44	532 40 92-65	Lawn Mower Housing (Includes Key Numbers 10, 11, 12 and 45)	--	532 18 21-34	Decal, Warning (not shown)
18	532 13 20-04	Locknut, Hex 1/4-20				--	532 40 96-72	Operator's Manual, European
19	532 19 47-88	Rope Guide				--	532 40 96-69	Operator's Manual, Scandinavian
20	532 41 35-43	Foot Guard, C.E.				--	532 40 96-75	Operator's Manual, East Bloc
21	817 49 04-16	Screw, Tapping 1/4-20 x 1/2				--	532 40 96-70	Operator's Manual, Baltic
24	---	Engine, Honda, Model Number GCV160-AS3H2 (order parts from Honda)						

**IMPORTANT:** Use only Original Equipment Manufacturer (O.E.M.) replacement parts. Failure to do so could be hazardous, damage your lawn mower and void your warranty.

**NOTE:** All component dimensions given in U.S. inches. 1 inch = 25.4 mm

**ROTARY LAWN MOWER -- MODEL NUMBER EDITION 1 (MFG. ID. NUMBER 96141020600)**



**ROTARY LAWN MOWER -- MODEL NUMBER EDITION 1 (MFG. ID. NUMBER 96141020600)**

KEY NO.	PART NO.	DESCRIPTION	KEY NO.	PART NO.	DESCRIPTION
1	532 18 45-88	Drive Control Assembly (Includes Cable)	15	532 40 48-45	Pawl, Drive
2	532 19 10-39	Bearing, Wheel Adjuster	16	532 06 77-25	Washer 1/2 x 1-1/2 x .134
3	532 17 52-62	Pan Head Tapping Screw #10-24 x 2-3/4	18	532 70 10-37	Selector Knob
4	532 15 87-55	Hex Washer Head Screw 1/4-20 x 2.12	28	532 18 14-67	Cover, Drive
5	532 17 54-36	V-Belt	35	532 40 88-62	Kit, Wheel Adjuster, LH
6	532 15 04-95	Spring Retainer			(Includes Knob and Bearing)
7	532 19 17-30	Nut, Hex, Flanged 1/4-20	36	532 41 52-25	Gear Case Assembly, Complete
9	532 40 91-48	Locknut, Hex	38	873 80 04-00	Locknut 1/4-20
11	532 40 05-43	Wheel & Tire Assembly	40	532 13 70-90	Spring
12	812 00 00-58	E-Ring	41	532 40 88-61	Kit, Wheel Adjuster, RH
13	532 40 38-49	Pinion			(Includes Knob and Bearing)
14	532 18 94-03	Dust Cover	54	532 19 48-53	Grassbag Assembly
			57	532 41 19-50	Frame, Grassbag

**IMPORTANT:** Use only Original Equipment Manufacturer (O.E.M.) replacement parts. Failure to do so could be hazardous, damage your lawn mower and void your warranty.