

McCULLOCH®



For problems or questions, DO NOT return this product to the store. Contact your Customer Service Agent.

En cas de problèmes ou pour des questions, NE PAS retourner ce produit au point de vente. S'adresser au préposé du Service à la clientèle en composant.

Para problemas o preguntas, NO devolver este producto a la tienda. Contacte a su Agente de Servicio al Cliente.

McCulloch U.S.A.
12802 Leffingwell Rd.
Santa Fe Springs,
CA 90670
USA

**For Consumer Assistance Please Call
L'Aide Du Consommateur Necessitez S'il Vous Plait
Para La Ayuda Del Consumidor Llame Por Favor**



**U.S.A. & CANADA
1-800-521-8559**

Made in China / Fabriqué à Chine / Hecho en China

McCULLOCH®

USER MANUAL

Gas String Trimmer

Model : MCT3362VA

**SAFETY
OPERATION
MAINTENANCE**



WARNING • PLEASE READ

For your own safety please read this manual before attempting to operate your new unit. Failure to follow instructions can result in serious personal injury. Spend a few moments to familiarize yourself with your trimmer before each use.

PN 9096-336202

Printed in China

INTRODUCTION

PLEASE READ

Dear Customer,

Thank you for purchasing a McCulloch product. With proper operation and maintenance, it will provide you with years of service.

In order to make the best use of your investment, be **CERTAIN** to familiarize yourself with the contents of the **ENTIRE** user manual before attempting to operate and maintain your unit.

Be sure to carefully follow the step-by-step instructions in this manual to start, operate and maintain your new product.

In the manual there will be the following call-outs: **NOTE**:, **WARNING / CAUTION** and **WARRANTY**.

A **NOTE**: is used to convey additional information, to highlight a particular explanation, or to expand a description.

A **WARNING** or **CAUTION** identifies a procedure which, if not undertaken or if improperly done, can result in serious personal injury and/or damage to the unit.

The **W** (**WARRANTY SYMBOL**) serves notice that unless instructions or procedures are followed, any damage caused will void the warranty and repairs will be at owner's expense.

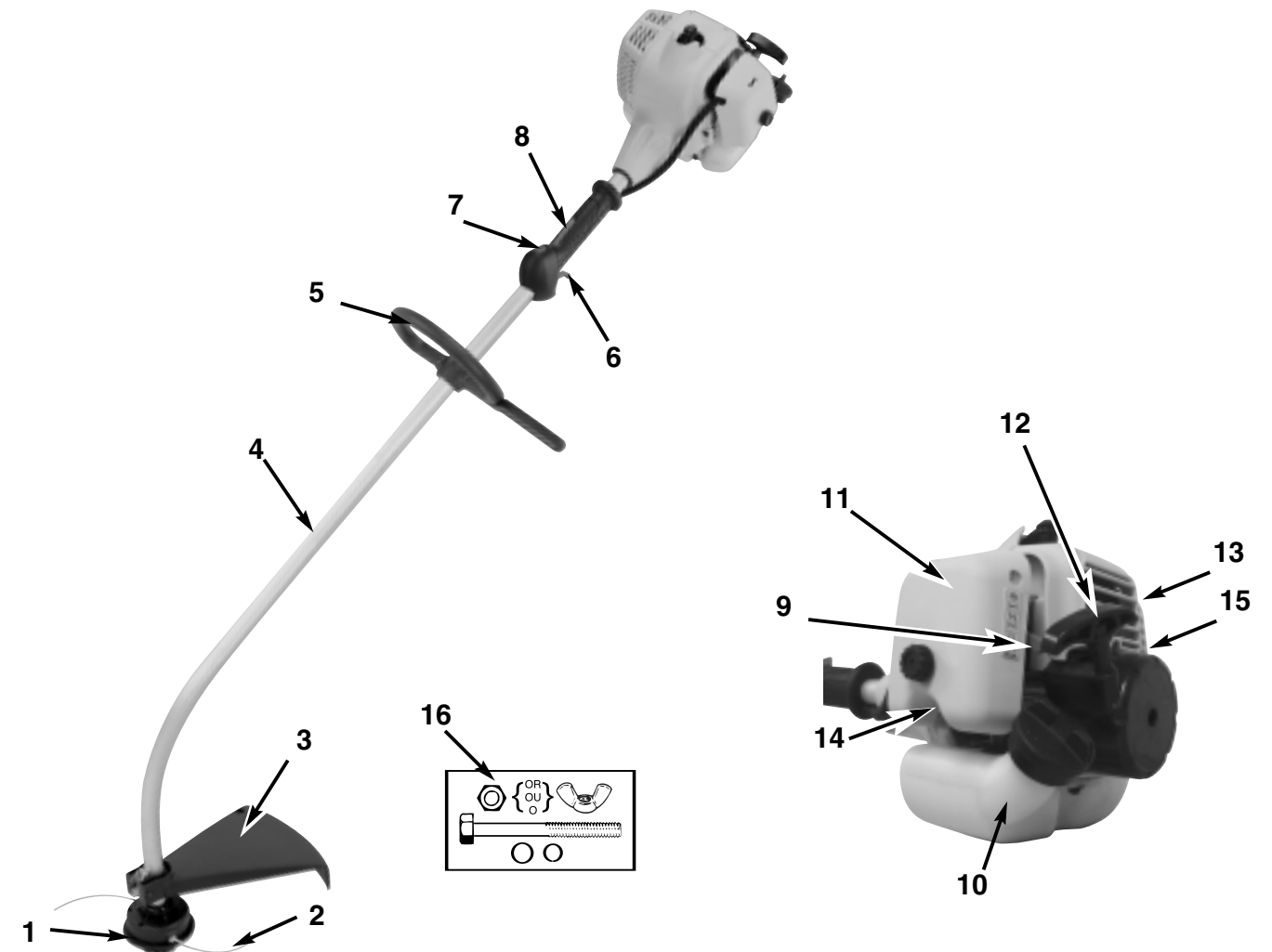
Pay particular attention to the safety precautions. They are written for your protection and contain important information you must know to safely operate your trimmer.

FOR WARRANTY OR SERVICE CONTACT THE NEAREST McCULLOCH AUTHORIZED SERVICE CENTER - LOCATE YOUR NEAREST SERVICE CENTER BY CALLING THE TOLL FREE NUMBER IN THIS MANUAL.

TABLE OF CONTENTS

1 GENERAL INFORMATION	2
1-1. General Identification	
1-2. Safety Features	
1-3. Specifications	
2 SAFETY PRECAUTIONS	4
2-1. What To Do	
2-2. What Not To Do	
2-3. International Symbols	
3 ASSEMBLY INSTRUCTIONS	6
3-1. "P" Handle Assembly	
3-2. Debris Shield	
4 FUEL AND LUBRICATION	8
4-1. Fuel	
4-2. Mixing Fuel	
4-3. Fuel Mixing Table	
4-4. Recommended Fuels	
4-5. Fuel and Lubrication Symbols	
5 OPERATING INSTRUCTIONS	9
5-1. Starting a Cold Engine	
5-3. To Stop Engine	
5-2. Warm Engine Start	
5-4. Idling/Carburetor Adjustment	
6 TRIMMING INSTRUCTIONS	11
6-1. Additional Safety Precautions	
6-2. Stringhead Line Release	
6-3. Trimming Procedures	
7 MAINTENANCE INSTRUCTIONS	13
7-1. Replacing Cutter Line	
7-2. Air Filter	
7-3. Fuel Cap / Fuel Filter	
7-4. Carburetor Adjustment	
7-5. Spark Plug	
7-6. Spark Arrester Screen	
7-7. Debris Shield Knife Sharpening	
7-8. Storing a Unit	
7-9. Removing a Unit From Storage	
8 TROUBLESHOOTING THE ENGINE	17
9 TROUBLESHOOTING THE STRINGHEAD	18
10 ONE YEAR LIMITED WARRANTY	19

1 - GENERAL INFORMATION



1-1. GENERAL IDENTIFICATION

1. BUMP FEED HEAD*
2. CUTTING LINE*
3. DEBRIS SHIELD*
4. DRIVE SHAFT ASSEMBLY
5. P-HANDLE
6. THROTTLE TRIGGER
7. IGNITION ON/OFF SWITCH
8. SAFETY TRIGGER
9. CHOKE LEVER
10. FUEL TANK
11. AIR FILTER COVER
12. STARTER HANDLE
13. MUFFLER SHIELD
14. PRIMER BULB
15. SPARK ARRESTER SCREEN*
16. DEBRIS SHIELD HARDWARE

NOTE: DO NOT use blades on these models.

* items are wear/m

1-2. SAFETY FEATURES

Numbers preceding the descriptions correspond to numbers above to help you locate the safety feature.

- 3 DEBRIS SHIELD must be installed to prevent debris from being thrown at the **user** and prevent the string from extending longer than necessary.
- 13 MUFFLER SHIELD helps prevent hands, body and/or combustible materials from making contact with a hot muffler.
- 15 SPARK ARRESTER SCREEN retains carbon and other flammable particles over 0.023" (.6 mm) in size from exhaust flow.

NOTE: Compliance with local, state and federal laws and/or regulations governing the use of a spark arrester screen is the **user's responsibility**. See Safety Precautions (Section 3) and Maintenance Instructions (Section 8) for additional information.

1 - GENERAL INFORMATION

1-3. SPECIFICATIONS

Engine Type	Air-cooled, 2-Cycle, Chrome Cylinder
Displacement	.26cc / 1.8ci
Dry Weight	10.78 lbs. / 4.9 kg
Fuel Capacity	.550 ml
Drive Shaft Length	.52" (132cm)
Cutting Swath	.17" / 43cm
Handle	"P" Handle
Carburetor	Primer / Diaphragm Type
Ignition	Electronic
Drive	Clutch
Maximum Engine Performance	.0.78 kW
Maximum RPMS at Wide Open Throttle	.7600 min ⁻¹
Idle Speed With no Stringhead Movement	.3000±300 min ⁻¹

2 - SAFETY PRECAUTIONS

2-1. WHAT TO DO

READ YOUR USER MANUAL AND ALL SUPPLEMENTS (IF ANY ENCLOSED) THOROUGHLY BEFORE OPERATING YOUR UNIT.

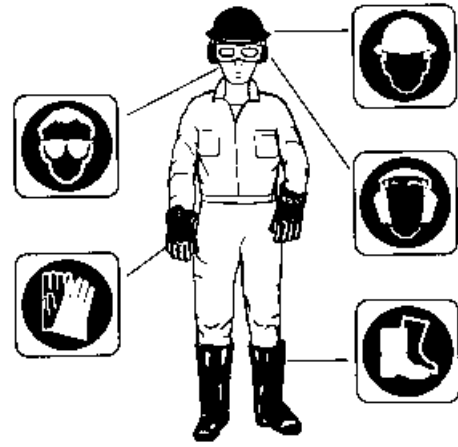
1. CLOTHING - Always wear heavy, long pants, boots, gloves and long sleeve shirt. Do not wear loose clothing, jewelry, short pants, sandals, or go barefoot. Secure hair so it is at shoulder level. Always wear a hard hat, a safety face shield, or safety glasses for eye protection and a good grade of ear plugs or other sound barriers for hearing protection.
2. FUELING - Mix and pour fuel outdoors where there are no sparks and flames. Slowly remove the fuel cap only after stopping the engine. Do not smoke while fueling or mixing fuel. Wipe spilled fuel from the unit. Move at least 30 ft (9m) away from the fueling source (gas can) and site before starting unit.
3. COMPLY WITH ALL FIRE PREVENTION REGULATIONS. COMPLIANCE WITH ALL LOCAL, STATE, OR FEDERAL LAWS IN THE UNITED STATES IS THE USER'S RESPONSIBILITY. Your unit comes with a spark arrester screen. Replacement spark arrester screen kits are available at your nearest McCulloch Authorized Service Center listed under "SAWS" in your Telephone Directory Yellow Pages.
4. TURN UNIT OFF before setting it down.
5. ALWAYS HOLD UNIT FIRMLY WITH BOTH HANDS, the thumb and fingers encircling the handles.
6. KEEP ALL SCREWS AND FASTENERS TIGHT. Never operate this equipment if it is improperly adjusted or not completely and securely assembled.
7. KEEP HANDLES DRY, clean and free of fuel mixture.
8. KEEP STRINGHEAD AS CLOSE TO GROUND AS PRACTICAL. Avoid hitting small objects with stringhead. When cutting on a slope, stand below stringhead.
9. CHECK AREA YOU WILL BE TRIMMING FOR DEBRIS that may be struck or thrown during operation.
10. KEEP ALL PARTS OF YOUR BODY AND CLOTHING AWAY FROM STRINGHEAD when starting or running engine. Before starting engine, make sure stringhead will not come in contact with any obstacle.
11. STOP ENGINE before examining cutting line.
12. STORE EQUIPMENT AWAY FROM POSSIBLE IGNITION SOURCES, such as gas-powered water heaters, clothes dryers, or oil-fired furnaces, portable heaters, etc.
13. ALWAYS KEEP the debris shield, stringhead, and engine free of debris build-up.
14. OPERATION OF EQUIPMENT should always be restricted to mature and properly instructed individuals.

2-2. WHAT NOT TO DO

1. **W** DO NOT USE ANY OTHER FUEL than that recommended in your manual. Always follow instructions in the Fuel and Lubrication section of this manual. Never use gasoline unless it is properly mixed with 2-cycle engine lubricant. Permanent damage to engine will result, voiding manufacturer's warranty.
2. DO NOT SMOKE while refueling or operating equipment.
3. DO NOT OPERATE UNIT WITHOUT A MUFFLER and properly installed muffler shield.
4. DO NOT TOUCH or let your hands or body come in contact with a hot muffler or spark plug wire.
5. DO NOT OPERATE UNIT IN AWKWARD POSITIONS, off balance, outstretched arms, or one-handed. Always use two hands when operating unit with thumbs and fingers encircling the handles.
6. DO NOT RAISE STRINGHEAD above ground level while unit is operating. Injury to operator could result.
7. DO NOT USE UNIT FOR ANY PURPOSES OTHER than trimming lawn or garden areas.
8. DO NOT OPERATE UNIT FOR PROLONGED PERIODS. Rest periodically.
9. DO NOT OPERATE UNIT WHEN TIRED, ILL OR UNDER THE INFLUENCE OF ALCOHOL OR DRUGS OR MEDICATION.
10. DO NOT OPERATE UNIT UNLESS DEBRIS SHIELD AND/OR GUARD IS INSTALLED AND IN GOOD CONDITION.
11. **W** DO NOT ADD, REMOVE OR ALTER ANY COMPONENTS OF THIS PRODUCT. Doing so could cause personal injury and/or damage the unit voiding the manufacturer's warranty.
12. DO NOT operate your unit near or around flammable liquids or gases whether in or out of doors. An explosion and/or fire may result. Never start or run the unit inside a closed room or building, breathing exhaust fumes can kill.
13. **W** DO NOT USE ANY OTHER CUTTING ATTACHMENT. Use only **Genuine** McCulloch replacement parts and accessories, which are designed specifically to enhance the performance and maximize the safe operation of our products. Failure to do so may cause poor performance and possible injury. Use only the stringhead supplied with this product. *Do not use any other cutting attachment. Use of such attachments will void your factory warranty* and could result in serious bodily injury.

2 - SAFETY PRECAUTIONS

2-3. INTERNATIONAL SYMBOLS



Use of these personal safety items is highly recommended to reduce the risk of accidental injury.



Read the User Manual.



Do not use blade on this unit.



Pump the primer bulb 10 times.



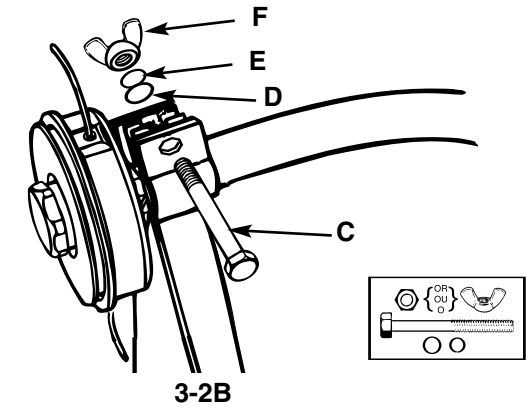
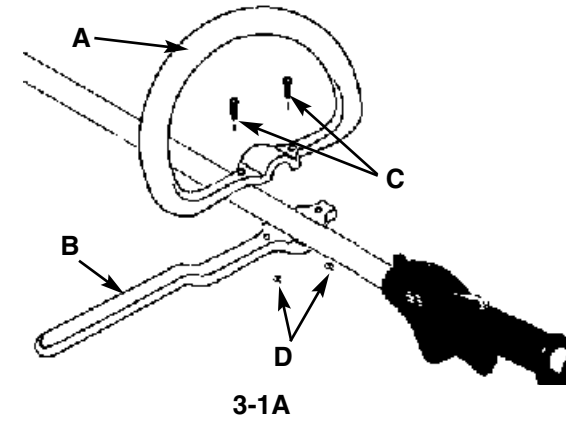
Minimum operating distance



3 - ASSEMBLY INSTRUCTIONS

3-1. "P" HANDLE ASSEMBLY

1. To install handle onto unit, you will need the following components from your user kit: "P" handle (A & B), screws (C) and nuts (D). (Figure 3-1).
2. Install the handle (B) on the shaft 6.0" to 7.87" (160-200mm) from throttle and tighten the 2 screws (C) and nuts (D).

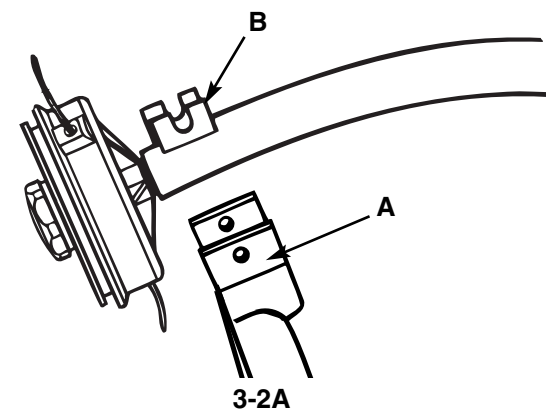


3-2. DEBRIS SHIELD

WARNING

The debris shield must be installed (Figure 3-2A) to properly dispense cutter line and protect operator. Shield fits snug on shaft. Some force may be required.

1. Seat shield (A) onto shaft bracket (B). (Fig. 3-2A)
2. Insert bolt (C), washer (D), lock washer (E) and wing nut (F), tighten securely. (Fig. 3-2B)



4 - FUEL AND LUBRICATION

4-1. FUEL

Use regular grade unleaded gasoline mixed with Genuine McCulloch 40:1 2-cycle engine oil for best results. Use mixing ratios in Section 5-3.

W Never use straight gasoline in your unit. This will cause permanent engine damage and void the manufacturer's warranty for that product. Never use a fuel mixture that has been stored for over 90 days.

W If 2-cycle lubricant other than Genuine McCulloch Lubricant is to be used, it must be a premium grade oil for 2-cycle air cooled engines mixed at a 40:1 ratio. Do not use any 2-cycle oil product with a recommended mixing ratio of 100:1. If insufficient lubrication is the cause of engine damage, it voids the manufacturer's engine warranty.

4-2. MIXING FUEL

Add oil to an approved fuel container followed by the gasoline to allow incoming gasoline to mix with oil. Shake container to ensure thorough mix.

W Lack of lubrication voids engine warranty. Gasoline and oil must be mixed at 40:1.

4-3. FUEL MIXING TABLE

GASOLINE	McCulloch 40:1 Ratio Lubricant	
	1 U.S. Gal.	3.2 oz.
5 Liters	4.3 oz.	125ml (cc)
1 Imp. Gal.	4.3 oz.	125ml (cc)
Mixing Procedure	40 Parts Gasoline to 1 Part Lubricant	
	1ml=1cc	

4-4. RECOMMENDED FUELS

Some conventional gasolines are being blended with oxygenates such as alcohol or an ether compound to meet clean air standards. Your McCulloch engine is designed to operate satisfactorily on any gasoline intended for automotive use including oxygenated gasolines.

4-5. FUEL AND LUBRICATION SYMBOLS



5 - OPERATING INSTRUCTIONS

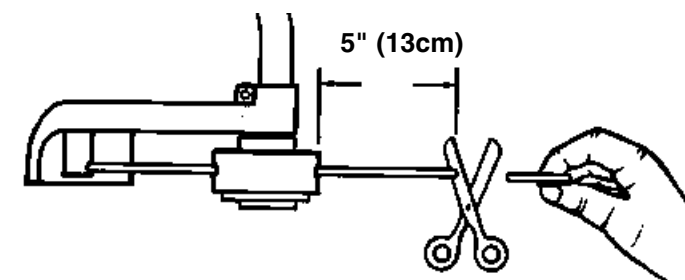
5-1. STARTING A COLD ENGINE

NOTE: To minimize load on engine during starting and warm-up, trim excess cutting line to 5" (13cm) (Fig. 5-1A).

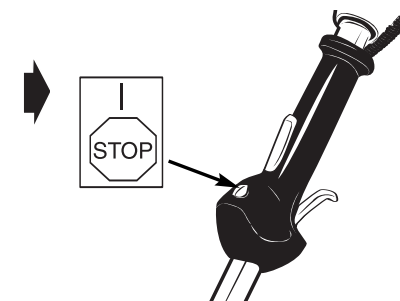
1. Move ignition switch to the "RUN (I)" position (Fig. 5-1B).
2. Your unit is designed with a 3 position choke: CHOKE "I-I", **START** "I-I", and RUN "I-I". Move choke lever to CHOKE "I-I" position (Fig. 5-1C).
3. Prime the carburetor. Pump the primer bulb (A) 10 times (Fig. 5-1D).
4. Grip handle firmly – depress safety trigger (B) & throttle trigger (C) to the FULL THROTTLE position (Fig. 5-1E).
5. Pull starter rope until resistance is felt (about 4") (Fig. 5-1F). A smooth rapid pull is required for a strong spark. Pull starter rope briskly 4 times.
6. Move choke lever to **START** "I-I" position (Fig. 5-1G).
7. Pull starter rope again 4 times while trigger is in the full throttle position.
8. Once engine starts, leave in the **START** "I-I" position for 10 seconds.
9. Move the choke to RUN "I-I" position (Fig. 5-1H).
10. If engine fails to start, repeat steps 1 through 9.

NOTE: If engine fails to start after repeated attempts, refer to trouble shooting section.

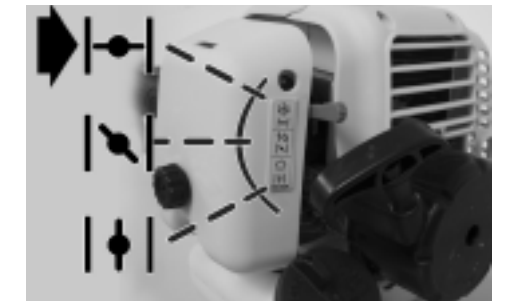
NOTE: Always pull starter rope straight out. Pulling starter at an angle will cause rope to rub against the eyelet. This friction will cause the rope to fray and wear more quickly. Always hold starter handle when rope retracts. Never allow rope to snap back from extended position. This could cause rope to snag or fray and also damage the starter assembly.



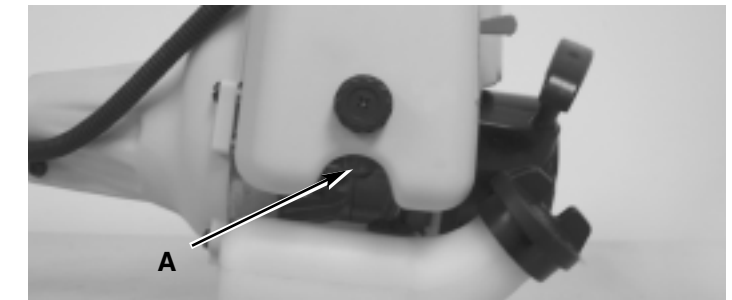
5-1A



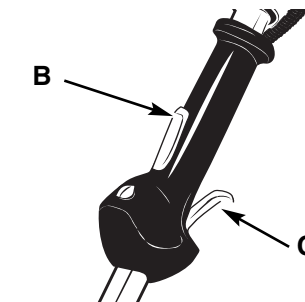
5-1B



5-1C



5-1D



5-1E



5-1F



5-1G



5-1H

5 - OPERATING INSTRUCTIONS

5-2. WARM ENGINE START

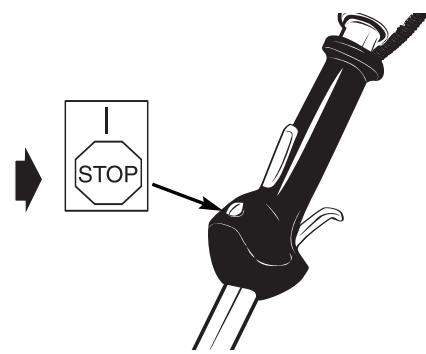
1. Move ignition switch to the "RUN (I)" position.
2. Place choke in START "I+I" position (Fig. 5-2).
3. Grasp throttle handle firmly, squeeze throttle trigger to FULL position.
4. Pull starter rope briskly until engine starts, but no more than 6 times. Keep throttle at FULL position until engine runs smoothly.
5. If engine does not start, place choke in RUN "I+I" position and pull starter rope 5 more times. If engine still does not start it is probably flooded. Wait 5 minutes and repeat procedure with choke in RUN "I+I" position and throttle full open.



5-2

5-3. TO STOP ENGINE

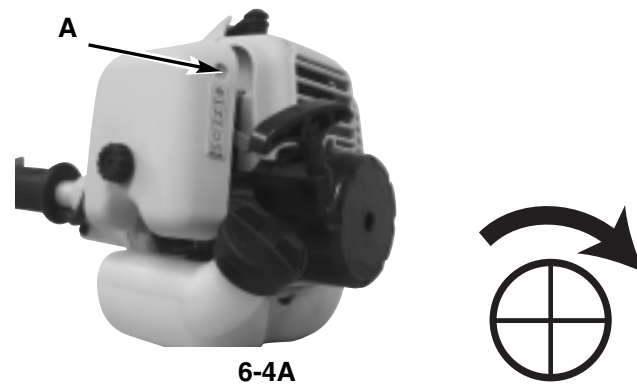
Release throttle trigger. Let engine return to idle. Move switch to "STOP" position. (Fig. 5-3)



5-3

5-4. IDLING/CARBURETOR ADJUSTMENT

1. Occasionally, due to atmospheric conditions such as altitude it might be necessary to make slight adjustment to idle speed.
2. Insert phillips or flat screwdriver into access hole A (figure 5-4A). Turn 1/8 turn clockwise to increase idle speed and 1/8 turn counterclockwise to decrease idle speed. **WARNING: String head should not move at idle.**



6-4A

6 - TRIMMING INSTRUCTIONS

6-1. ADDITIONAL SAFETY PRECAUTIONS

Before operating your unit, review ALL SAFETY PRECAUTIONS in this manual.

WARNING / CAUTION

- IF UNFAMILIAR WITH TRIMMING techniques, practice the procedures with ENGINE in "OFF" position.
- ALWAYS CLEAR WORK area of debris such as cans, bottles, rocks, etc. Striking objects can cause serious injury to operator or bystanders and also damage equipment. If an object is accidentally hit, immediately TURN ENGINE OFF and examine equipment. Never operate unit with damaged or defective equipment.
- ALWAYS TRIM OR CUT AT HIGH ENGINE SPEEDS. Do not run engine slowly at start or during trimming operations.
- DO NOT use equipment for purposes other than trimming or mowing weeds.
- NEVER raise stringhead above knee height during operation.
- DO NOT operate unit with other people or animals in the immediate vicinity. Allow a minimum of 50 feet (15 meters) between operator and other people and animals when trimming or mowing. Allow a distance of 100 feet (30 meters) between operator and other people and animals when SCALPING with stringhead cutter.
- IF OPERATING UNIT ON A SLOPE, stand below the cutting attachment. DO NOT OPERATE on a slope or hilly incline if there is the slightest chance of slipping or losing your footing.

6-2. STRINGHEAD LINE RELEASE

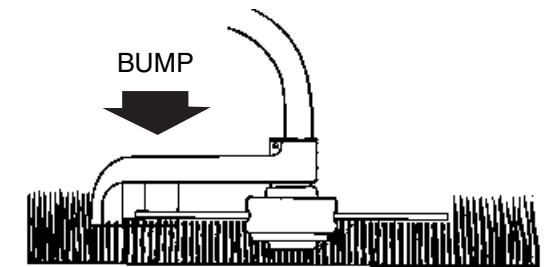
WARNING / CAUTION

DO NOT use steel wire or plastic-coated steel wire of any kind with your stringhead. Serious operator injury can result.

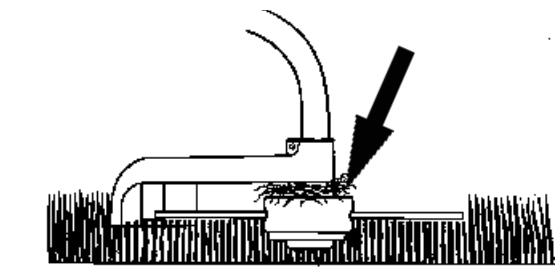
To release fresh line, run engine at full throttle and "bump" stringhead against lawn. Line will automatically release. The knife in debris shield will trim excess line (Figure 6-2A).

CAUTION

Be sure engine is off and string head has stopped before attempting to remove weeds wrapped around the shaft. Periodically weeds will wrap around the shaft. They will need to be removed or they will prevent the shaft from being properly cooled and could result in damage. Use a sharp object like a screw driver to remove them. (Fig. 6-2B)



6-2A



6-2B

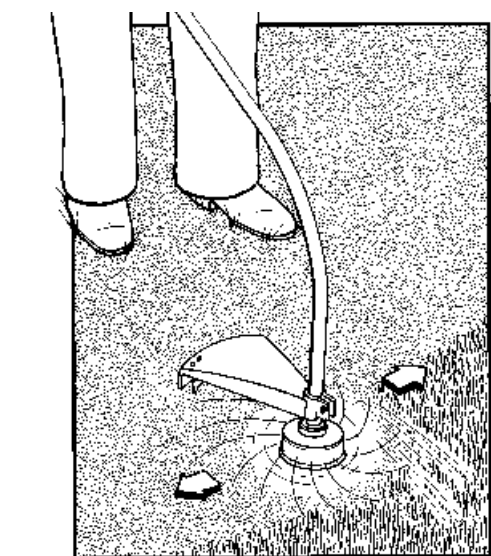
6-3. TRIMMING PROCEDURES

When properly equipped with a debris shield and stringhead, your unit will trim weeds and tall grass in those hard-to-reach areas - along fences, walls, foundations and around trees. It can also be used for scalping to remove vegetation down to the ground for easier preparation of a garden or to clean out a particular area.

NOTE: Trimming around foundations, brick or stone walls, curves, etc., will result in above normal string wear.

TRIMMING / MOWING

Swing trimmer from side to side. Do not tilt the stringhead during the procedure. Test area to be trimmed for proper cutting height. Keep stringhead at same level for even depth of cut (Figure 6-3A).



6-3A

6 - TRIMMING INSTRUCTIONS

CLOSER TRIMMING

Position trimmer straight ahead with a slight tilt so bottom of stringhead is above ground level and string contact occurs at proper cutting point. Always cut away from operator. Do not pull trimmer in toward operator.

FENCE / FOUNDATION TRIMMING

Approach trimming around chain link fences, picket fences, rock walls and foundations slowly to cut close without whipping string against the barrier. If the string comes in contact with rock, brick walls, or foundations, it will break or fray. If string snags fencing, it will snap off.

TRIMMING AROUND TREES

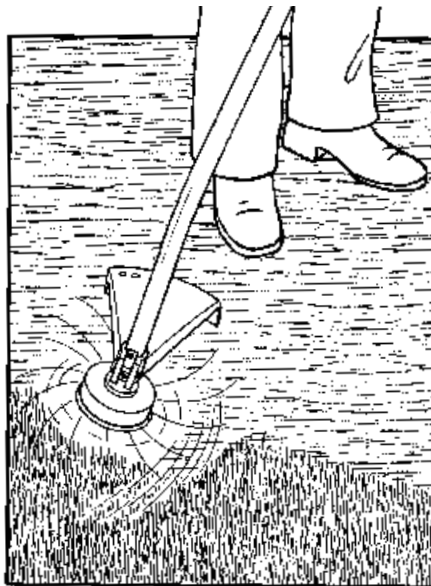
Trim around tree trunks with a slow approach so string does not contact bark. Walk around the tree trimming from left to right. Approach grass or weeds with the tip of the string and tilt stringhead slightly forward.

WARNING

Use extreme caution when SCALPING. Keep a distance of 100 feet (30 meters) between operator, other people and animals during these operations.

SCALPING

Scalping refers to removal of all vegetation down to the ground. To do this, tilt the stringhead to about a 30 degree angle to the left. By adjusting the handle you will have better control during this operation. Do not attempt this procedure if there is any chance flying debris could injure operator, other people or cause damage to property (Figure 6-3B).



6-3B

WARNING

DO NOT SWEEP WITH TRIMMER

Sweeping refers to tilting stringhead to sweep away debris from walkways, etc. Your trimmer is a powerful tool and small stones or other such debris may be hurled 50 feet (15 meters) or more, causing injury or damage to nearby property such as automobiles, homes and windows.

7 - MAINTENANCE INSTRUCTIONS

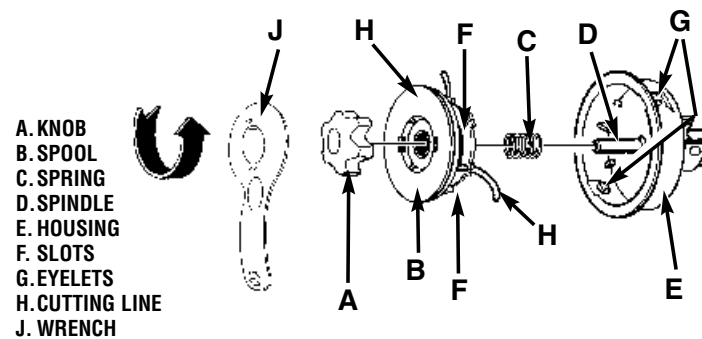
MAINTENANCE CHECKLIST		EACH USE	HOURS OF OPERATION	
			10	20
SCREWS / NUTS / BOLTS	INSPECT / TIGHTEN	✓		
AIR FILTER	CLEAN OR REPLACE		✓	
FUEL FILTER	REPLACE			✓
SPARK PLUG	CLEAN / ADJUST / REPLACE		✓	
SPARK ARRESTER SCREEN	CLEAN OR REPLACE	✓		
FUEL HOSES	INSPECT	✓		
	*REPLACE AS REQUIRED			
STRINGHEAD	INSPECT	✓		
	*REPLACE AS REQUIRED			

* Recommended maintenance by an McCulloch authorized service center technician using Genuine Factory McCulloch Replacement parts.

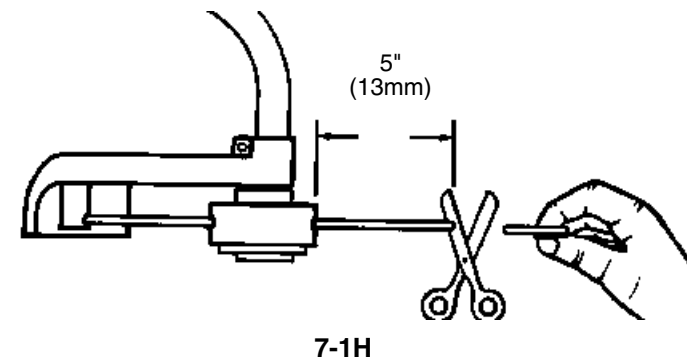
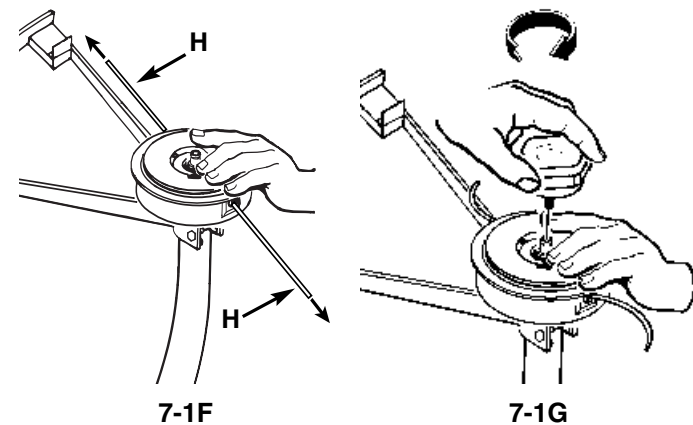
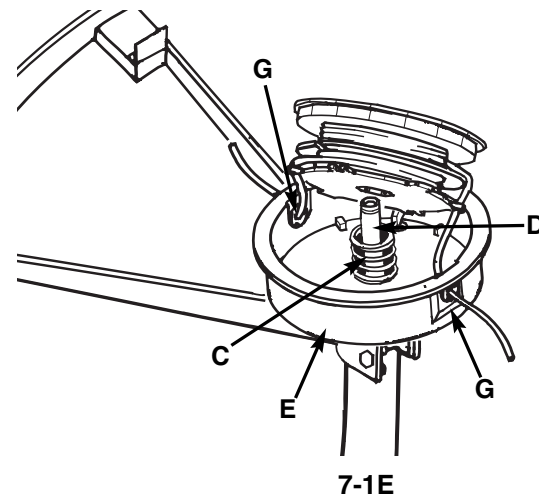
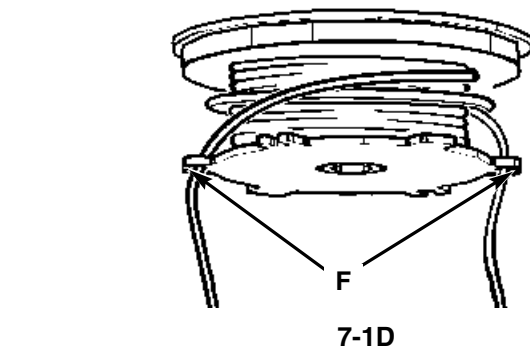
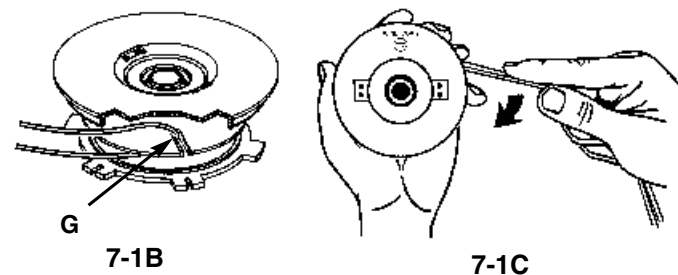
7 - MAINTENANCE INSTRUCTIONS

7-1. REPLACING CUTTING LINE

1. Turn knob (A) COUNTERCLOCKWISE and remove (Figure 7-1A).
2. Remove spool (B) and spring (C) from spindle (D).
3. Remove any remaining cutting line (H).
4. Fold over evenly a 14' (4.3m) length of .095 or .080" (.24 or .20cm) cutting line. Place the looped center in one of the slots (G) of the spool divider (Figure 7-1B).
5. Wind cutting line clockwise as shown in illustration (Figure 7-1C), keeping tension, with each half separated by the spool divider. Wind to within 6" (15cm) of the ends.
6. Lock each end of line into a slot (F) on opposite sides of the spool (Figure 7-1D).
7. Install the spring (C) over the spindle (D). Insert each end of the line through an eyelet (G) in the housing (E) (Figure 7-1E).
8. Lower the spool into the housing (E) while feeding the line through the eyelets (G). Ensure the spring seats itself into the spool (Figure 7-1E).
9. Once the spool is in place, apply pressure on the spool compressing the spring. Pull each end of the line (H) sharply to unlock the line from the slots (Figure 7-1F).
10. Continue to apply pressure to the spool until the knob can be threaded COUNTERCLOCKWISE onto the spindle. Tighten the knob securely by hand only (Figure 7-1G).
11. Trim the excess line to approximately 5" (13cm). This will minimize load on engine during starting and warm-up (Figure 7-1H).



7-1A



7 - MAINTENANCE INSTRUCTIONS

7-2. AIR FILTER

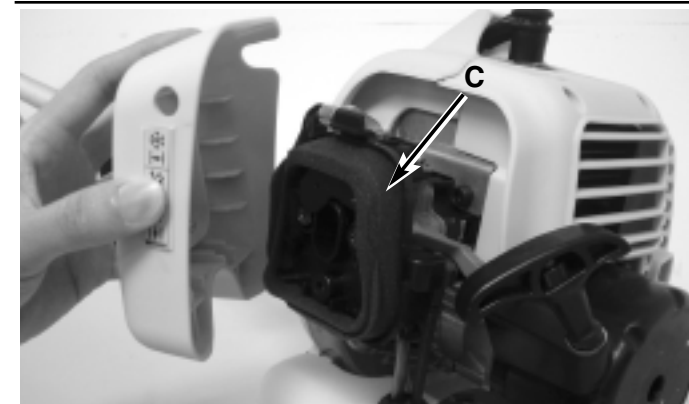
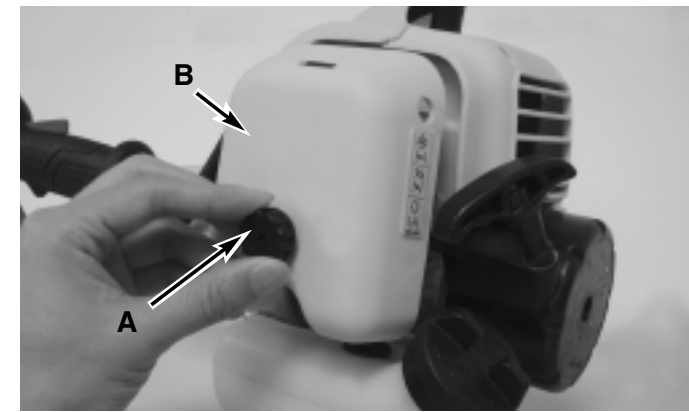
CAUTION

NEVER operate trimmer without the air filter. The air filter must be kept clean. If it becomes damaged, install a new filter.

To Clean Air Filter:

1. Remove knob (A) holding air filter cover in place, remove cover (B) and lift filter (C) from air box (Figure 7-2A).
2. Wash filter in soap and water. **DO NOT USE GASOLINE!**
3. Air dry filter.
4. Reinstall filter.

NOTE: Replace filter if frayed, torn, damaged or unable to be cleaned.



7-2A

7-3. FUEL CAP / FUEL FILTER

CAUTION

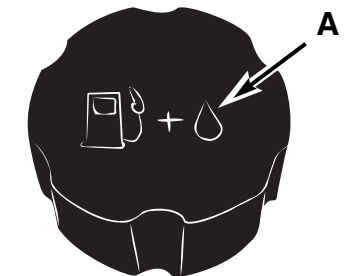
Remove fuel from unit and store in approved container before starting this procedure. Open fuel cap slowly to release any pressure which may have formed in fuel tank.

NOTE: Keep vent (A) on fuel cap clean of debris (Figure 7-3A).

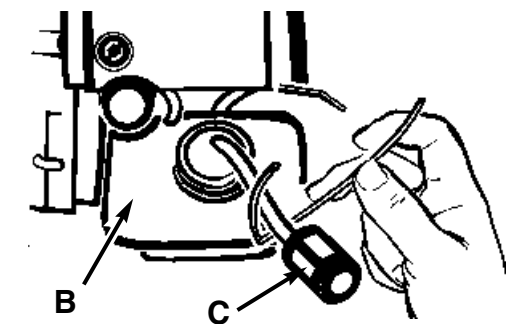
Fuel Filter:

1. Completely remove fuel cap from fuel tank (B) to be able to remove fuel filter (C) from tank. (Figure 7-3B)
2. Pull filter (D) off with a twisting motion. (Figure 7-3C)
3. Replace fuel filter (D). (Figure 7-3C)

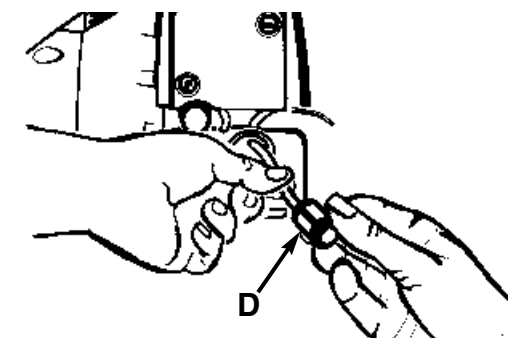
W NOTE: Never operate the trimmer without the fuel filter. Internal engine damage could result!



7-3A



7-3B



7-3C

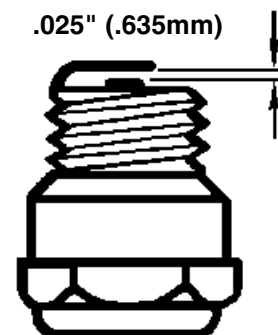
7 - MAINTENANCE INSTRUCTIONS

7-4. CARBURETOR ADJUSTMENT

The carburetor was pre-set at the factory for optimum performance. The only adjustment should be to idle speed see section 5-4, Idling/Carburetor adjustment.

7-5. SPARK PLUG

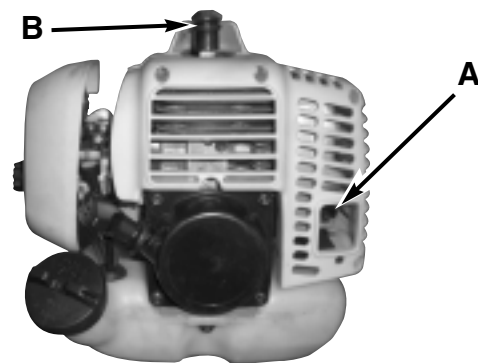
1. To remove spark plug B (figure 7-6A) for cleaning or replacement: make sure engine is off, spark plug is cool then grasp spark plug boot firmly and remove from spark plug. Remove spark plug with correct spark plug tool. Inspect, clean or replace as needed.
2. Spark plug gap = .025" (.635mm) (Figure 7-5A).
3. Torque to 105 to 130 inch pounds (12 to 15 N•m). Connect spark plug boot.
4. If necessary, replace with Champion RZ7C or equivalent.



7-5A

7-6. SPARK ARRESTER SCREEN

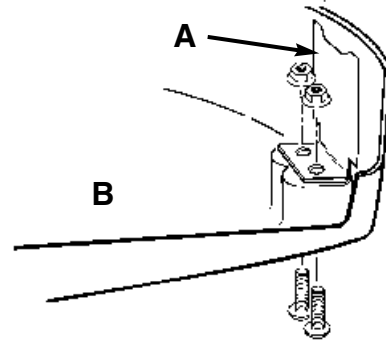
1. To replace spark arrester screen (A) (Figure 7-6A), use a needle nose pliers, pinch an edge of the spark arrester screen. Pull the whole spark arrester screen out.
2. Use the needle nose pliers to push in a new spark arrester screen. Then open the pliers a little to press the inner surface of the spark arrester screen to fasten it.



7-6A

7-7. DEBRIS SHIELD KNIFE SHARPENING

1. Remove cutter knife (A) from debris shield (B) (Figure 7-7A).
2. Place knife in a bench vise. Sharpen knife using a flat file, being careful to maintain the angle of cutting edge. File in one direction only.



7-7A

7-8. STORING A UNIT

W Failure to follow these steps may cause varnish to form in the carburetor and difficult starting or permanent damage following storage.

1. Perform all the general maintenance recommended in the Maintenance Section of your User Manual.
2. Clean exterior of engine, drive shaft assembly, debris shield and stringhead.
3. Drain fuel from the fuel tank.
4. After fuel is drained, start engine.
5. Run engine at idle until unit stops. This will purge the carburetor of fuel.
6. Allow engine to cool (approx. 5 minutes).
7. Using a spark plug wrench, remove the spark plug.
8. Pour 1 teaspoon of clean 2-cycle oil into the combustion chamber. Pull starter rope slowly several times to coat internal components. Replace spark plug.
9. Store unit in a cool, dry place away from any source of ignition such as an oil burner, water heater, etc.

7-9. REMOVING A UNIT FROM STORAGE

1. Remove spark plug.
2. Pull starter rope briskly to clear excess oil from combustion chamber.
3. Clean and gap spark plug or install a new spark plug with proper gap.
4. Prepare unit for operation.
5. Fill fuel tank with proper fuel / oil mixture. See Fuel and Lubrication Section.

8 - TROUBLESHOOTING THE ENGINE

PROBLEM	PROBABLE CAUSE	CORRECTIVE ACTION
Unit won't start or starts but will not run.	Incorrect starting procedures.	Follow instructions in the User Manual.
	Incorrect carburetor mixture adjustment setting.	Have carburetor adjusted by an McCulloch Authorized Service Center.
	Fouled spark plug	Clean / gap or replace plug.
	Fuel filter plugged.	Replace fuel filter.
Unit starts, but engine has low power.	Incorrect lever position on choke.	Move to RUN position.
	Dirty spark arrester screen.	Replace spark arrester screen.
	Dirty air filter.	Remove, clean and reinstall filter.
	Incorrect carburetor mixture adjustment setting.	Have carburetor adjusted by an McCulloch Authorized Service Center.
Engine hesitates.	Incorrect carburetor mixture adjustment setting.	Have carburetor adjusted by an McCulloch Authorized Service Center.
No power under load.		
Runs erratically.	Incorrectly gapped spark plug.	Clean / gap or replace plug.
Smokes excessively.	Incorrect carburetor mixture adjustment setting.	Have carburetor adjusted by an McCulloch Authorized Service Center.
	Incorrect fuel mixture	Use properly mixed fuel (40:1 mixture).

9 - TROUBLESHOOTING THE STRINGHEAD

PROBLEM	PROBABLE CAUSE	SOLUTION
Line won't feed	Line is tangled inside stringhead.	Remove spool from unit; disassemble. Untangle line and wind correctly in direction indicated on spool (see Section 7-1).
	Upon removing spool, line appears to be melted together.	Trim off damaged line and rewind line (see Section 7-1).
	Line wound in wrong direction inside stringhead.	Remove spool. Check to be certain line is wound in direction indicated on line element (see Section 7-1).
	Insufficient line inside stringhead.	Remove spool and install new line (see Section 7-1).
	Internal damage to stringhead caused by bumping too hard on ground while advancing line.	Disassemble stringhead and examine parts for damage. Replace parts or entire head (see Section 7-1).
Line snaps off or frays.	Improper trimming procedures, or poor quality line.	See Trimming Procedures (see section 6-3) or replace line (see section 7-1)
Unable to remove stringhead knob.	Stringhead knob overtightened.	Use anti-seize compound and reinstall knob HAND TIGHT ONLY.
Stringhead and shaft are hot to the touch.	Weeds wrapped around shaft	Remove weeds (see Section 6-2).

10 - ONE YEAR LIMITED WARRANTY

1. DURATION

The duration of the warranty for this McCulloch product is as follows: ONE (1) YEAR from date of original purchase only when used for personal, family, household, farm or ranch, purposes, provided the unit is not used for rental purposes; NINETY (90) DAYS from date of original purchase when used for commercial, professional, institutional or rental purposes. This warranty gives you specific legal rights. You may also have other rights which vary from state to state. MCCULLOCH CORPORATION HEREBY DISCLAIMS ALL IMPLIED WARRANTIES AFTER THE APPLICABLE EXPIRATION DATES OF THIS EXPRESS LIMITED WARRANTY. (Some states do not allow limitations on how long an implied warranty lasts, so the above limitations may not apply to you.)

2. WHO GIVES THIS WARRANTY

McCulloch U.S.A 1-800-521-8559
12802 Leffingwell Rd. Santa Fe Springs, CA90670 USA

3. WHO RECEIVES THIS WARRANTY

- A. The buyer (other than for purposes of resale) of the McCulloch Product.
- B. Any person to whom such product is lawfully transferred within the duration of the implied or written warranty applicable to the product.
- C. Any other person who is entitled by the terms of the warranty or under applicable state law to enforce against the Warrantor the obligation of the warranty.
(The above mentioned parties are hereinafter referred to as "User.")

4. WHAT IS COVERED UNDER THIS WARRANTY

Any failure that occurs within the applicable duration of the warranty period that is the result of defects in materials or workmanship. **All work must be preformed by a McCulloch Authorized Service Center.**

5. WHAT IS NOT COVERED UNDER THIS WARRANTY

- A. Any incidental or consequential damages that may result from the failure or malfunction of the McCulloch product. (Some states do not allow the exclusion or limitation of incidental or consequential damages, so these limitations may not apply to you.)
- B. Any failure that results from an accident, User abuse, neglect or failure to operate the product in accordance with the instructions provided in the User Manual(s) supplied with the product, or that results from improper servicing by an unauthorized repair facility.
- C. Normal adjustments **or wear items** which are explained in the User Manual(s) provided with the product.
- D. Any component(s) or accessories not sold or manufactured by the Warrantor.
- E. Predelivery setup or assembly of units.
- F. This warranty does not apply to accessories, normal maintenance, **wear items** or adjustment(s) of the product set forth in the User Manual(s).

6. RESPONSIBILITIES OF THE WARRANTOR UNDER THIS WARRANTY

- A. Repair or replace components which have failed within the duration of the applicable warranty period at no cost to the User.
- B. Ensure that the **McCulloch Authorized Service Center** is reimbursed for parts and labor costs incurred due to performance of a warranty repair in accordance with established warranty policies and procedures.

7. RESPONSIBILITIES OF THE USER UNDER THIS WARRANTY

- A. The User must deliver or ship the McCulloch product covered under this warranty to the dealer from whom it was originally purchased or to the nearest **McCulloch** Authorized Service Center. **Proof of purchase is required.**
- B. Freight costs, if any, will be borne by the user.
- C. Use reasonable care in maintenance, operations and storage of the product as explained in the User Manual(s).

8. WHEN WARRANTOR WILL PERFORM OBLIGATION UNDER THIS WARRANTY

- A. Repair of warrantable products will be scheduled according to the normal work flow at the servicing location, depending on the availability of replacement parts.
- B. Repair time which exceeds ten (10) days from the time the product was delivered to the **service center** will extend the warranty coverage by the number of days the product remains inoperable.
- C. If User does not receive satisfactory results from local **service center**, User must contact McCulloch Corporation, by calling our toll-free telephone number.



MANUEL DE UTILISATION

Coupe-herbes à essence

Modèle : MCT3362VA

**SECURITE
FONCTIONNEMENT
ENTRETIEN**



AVERTISSEMENT • LIRE ATTENTIVEMENT

Pour votre sécurité, lisez entièrement ce manuel avant d'utiliser votre nouvel outil. Le non respect des instructions peut résulter en des accidents graves. Prenez quelques instants pour vous familiariser avec le coupe-herbe avant chaque utilisation.

INTRODUCTION

A LIRE ATTENTIVEMENT

Cher Client,

Nous vous remercions de l'achat d'un produit McCulloch. Correctement utilisé et entretenu, il vous procurera des années de satisfaction.


Il est **IMPERATIF** que vous preniez connaissance de **LA TOTALITE** de ce manuel avant d'utiliser l'outil ou de procéder à des opérations d'entretien.

Veillez à bien suivre les instructions pas à pas données dans le présent manuel pour démarrer, mettre en oeuvre et maintenir votre nouveau produit en condition.

Ce manuel contient également des mises en garde et renseignements intitulés: **REMARQUES, AVERTISSEMENT / ATTENTION** et **GARANTIE**.

Une **REMARQUE**: fournit des renseignements complémentaires, éclaire un point ou explique une étape à suivre en plus de détails.

La notice **AVERTISSEMENT** ou **ATTENTION** est utilisée pour identifier une procédure qui, si négligée ou incorrectement exécutée, peut entraîner des dommages matériels et/ou corporels graves.

Le **SYMBOLE DE GARANTIE**  indique que si les procédures ou instructions ne sont pas respectées, les dommages ne seront pas couverts par la garantie et les réparations seront à la charge du propriétaire.

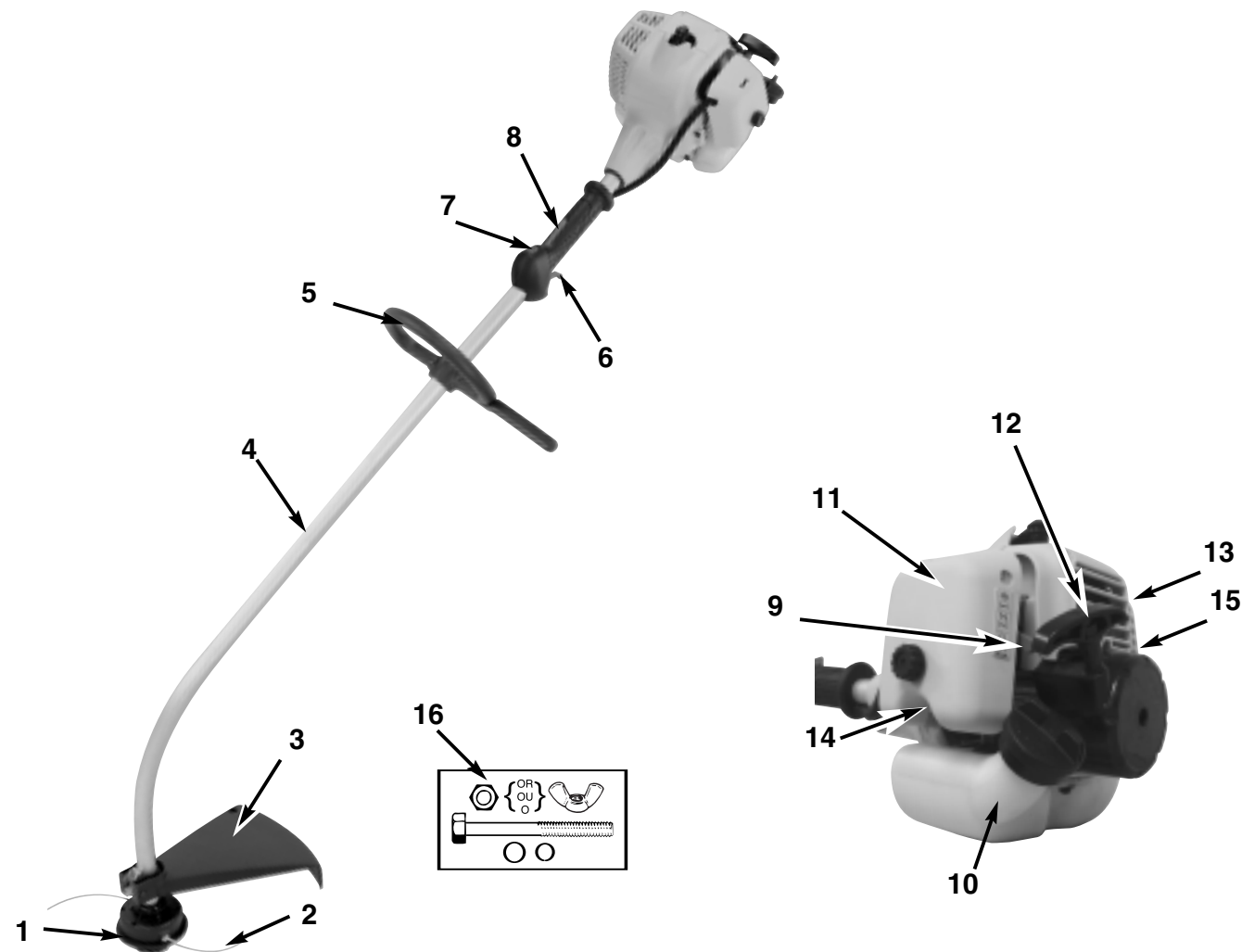
Les précautions de sécurité sont pour votre protection; Veuillez les lire attentivement; vous devez connaître ces importants renseignements afin d'utiliser correctement votre coupe-herbes.

POUR LA GARANTIE OU LES RÉPARATIONS, VEUILLEZ PRENDRE CONTACT AVEC LE CENTRE DE MAINTENANCE AGRÉÉ LE PLUS PROCHE DE CHEZ VOUS - POUR SAVOIR QUEL EST LE CENTRE DE RÉPARATION LE PLUS PROCHE, APPELEZ LE NUMÉRO GRATUIT DONNÉ DANS PRÉSENT MANUEL.

TABLE DES MATIERES

1 GENERALITES	22
1-1. Identification des principaux	
1-2. Dispositifs de securite	
1-3. Caracteristiques	
2 MEASURES DE SECURITE	24
2-1. Choses a faire	
2-2. Choses a ne pas faire	
2-3. Symboles internationaux	
3 INSTRUCTIONS POUR MONTAGE	26
3-1. Installation de la "P" poignée	
3-2. Para-debris	
4 CARBURANT ET LUBRIFICATION	27
4-1. Carburant	
4-2. Melange du carburant	
4-3. Tableau des proportions	
4-4. Carburants recommandes	
4-5. Symboles de carburant et lubrification	
5 FONCTIONNEMENT	28
5-1. Demarrage d'un moteur froid	
5-2. Demarrage du moteur chaud	
5-3. Pour arret du moteur	
5-4. Idling/carburetor adjustment	
6 INSTRUCTIONS POUR LA COUPE	30
6-1. Mesures de securite supplementaires	
6-2. Avance du fil de coupe	
6-3. Instructions pour la coupe	
7 ENTRETIEN	32
7-1. Remplacement du fil de coupe	
7-2. Filtre a air	
7-3. Bouchon du reservoir/filtre a carburant	
7-4. Reglage du carburateur	
7-5. Bougie	
7-6. Ecran pare-etincelles	
7-7. Affutage de la lame pare-debris	
7-8. Emmagasiner l'appareil	
7-9. Preparation apres emmagasinage	
8 DEPANNAGE DU MOTEUR	36
9 DEPANNAGE DE LA TETE DE COUPE	37
10 GARANTIE LIMITEE DE UN ANNEE	38

1 - GENERALITES



1-1. IDENTIFICATION DES PRINCIPAUX

1. TETE D'ALIMENTATION DE BROUSSIN*
2. FIL DE COUPE*
3. PARE-DEBRIS*
4. ARBRE DE TRANSMISSION
5. POIGNEE-P
6. MANETTE DES GAZ
7. BOUTON DE CONTACT
8. DECLENCHEUR DE SECURITE
9. MANETTE DU STARTER
10. RESERVOIR A CARBURANT
11. COUVERCLE DU FILTRE A AIR
12. POIGNEE DU LANCEUR
13. CAPOT DU SILENCIEUX
14. POMPE D'AMORCAGE
15. PARE-ETINCELLES*
16. MATERIEL DE PROTECTION CONTRE LES DEBRIS

REMARQUE : NE PAS utiliser de lames sur ces modèles.

* Inclus dans le kit de l'utilisateur

1 - GENERALITES

1-3. CARACTERISTIQUES

Type de moteur	Refroidi par air, 2 temps, Cylindre Chrome
Cylindrée26cc / 1.8ci
Poids à sec10.78 lbs. / 4.9 kg
Capacité du réservoir de carburant550 ml
PLongueur de l'arbre de transmission52" (132cm)
Largeur de coupe17" / 43cm
Poignée	"P" Poignée
Carburateur	Amorçage / diaphragme
Allumagea	Electronique
Transmission	Embrayage
Puissance0.78 kW
Vitesse de rotation maximale7600 min ⁻¹
Vitesse de ralenti moteur3000±300 min ⁻¹

3 - MEASURES DE SECURITE

2-1. CHOSES A FAIRE

LIRE LE MANUEL D'UTILISATION ET (LE CAS ECHEANT) TOUS LES SUPPLEMENTS AVANT D'UTILISER LE COUPE-HERBE.

- HABILLAGE - Portez toujours des pantalons longs, des bottes lourdes, des gants et une chemise à manche longue. Ne portez jamais de vêtements flottants, de bijoux, des shorts, des sandales et ne soyez jamais pieds nus. Sécurisez les cheveux afin qu'ils ne retombent jamais sur vos épaules. Portez toujours un casque rigide, une protection faciale ou des lunettes de sécurité avec des bouchons pour les oreilles pour vous protéger du bruit.
- REMPLISSAGE DU FUEL - Mélangez et versez le fuel en extérieur dans un endroit sans étincelle ni flammes. Enlevez doucement le capuchon du fuel seulement après arrêté le moteur. Ne fumez pas tout en remplissant avec du fuel ou en mélangeant le fuel. Frottez le fuel repandu depuis l'unité. Eloignez-vous d'au moins 9 m depuis la source de fuel (bouteille de gaz) avant de faire démarre l'unité.
- RESPECTER TOUTES LES REGLEMENTATIONS DE PREVENTION D'INCENDIES. LA CONFORMITE AVEC LES LOIS ET/OU REGLEMENTATIONS LOCALES, D'ETAT OU GOUVERNEMENTALES EST LA RESPONSABILITE DE L'UTILISATEUR. Un pare-étincelles est inclus dans le kit de l'utilisateur livré avec le coupe-herbe. Des kits de remplacement de l'écran pare-étincelles sont disponibles auprès de votre Centre de réparation McCulloch agréé, dont vous trouverez le numéro de téléphone sous la rubrique «SCIES» des pages jaunes de l'annuaire.
- ARRETER LE MOTEUR avant de poser l'outil.
- TOUJOURS TENIR FERMEMENT L'OUTIL DES DEUX MAINS, le pouce et les doigts encerclant les poignées.
- VEILLER A CE QUE TOUTES LES VIS ET PIECES DE FIXATION SOIENT BIEN SERREES. Ne jamais utiliser l'outil s'il n'est pas correctement réglé et solidement assemblé.
- VEILLER A CE QUE LES POIGNEES SOIENT PROPRES, sèches et non souillées de carburant.
- GARDER LA TETE DE COUPE AUSSI PRES DU SOL QUE POSSIBLE. Eviter de heurter de petits objets avec la tête de coupe. Sur un terrain incliné, se placer en aval de la tête de coupe.
- VERIFIER VOTRE LIEU DE TRAVAIL POUR TOUS DEBRIS EVENTUELS qui pourraient être heurtés ou projetés.
- GARDER TOUTES LES PARTIES DES VETEMENTS OU DU CORPS A L'ECART DE LA TETE DE COUPE lorsque le moteur tourne. Avant de faire démarrer le moteur, s'assurer que la tête de coupe ne risque pas de heurter des obstacles.
- ARRETER LE MOTEUR avant d'examiner le fil de coupe.
- ENTREPOSER L'EQUIPEMENT A L'ECART DES SOURCES D'ALLUMAGE telles que chauffe-eau à gaz, séchoirs à linge, chaudières à mazout, radiateurs portatifs, etc.

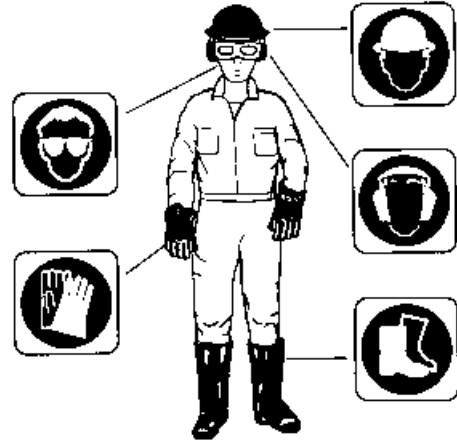
- GARDER TOUJOURS le pare-débris, la tête de coupe et le moteur exempt de débris.
- L'USAGE DE L'EQUIPEMENT doit être exclusivement confié à des personnes mûres familiarisées avec son fonctionnement.

2-2. CHOSES A NE PAS FAIRE






- G** NE PAS UTILISER DE CARBURANT AUTRE que celui recommandé dans le manuel. Se conformer aux instructions de la section Carburant et lubrification. Ne jamais utiliser d'essence qui n'est pas mélangée à de l'huile pour moteur à 2 temps, ce qui causerait des dommages irréparables au moteur et entraînerait l'annulation de la garantie du fabricant.
- NE PAS FUMER lors de l'approvisionnement en carburant ou pendant l'utilisation de l'outil.
- NE PAS UTILISER L'OUTIL NON POURVU DU SILENCIEUX ou du capot silencieux correctement installés.
- NE PAS TOUCHER ou laisser les mains ou une autre partie du corps entrer en contact avec l'échappement chaud ou le fil de la bougie.
- NE PAS UTILISER L'OUTIL EN POSITION DE DESEQUILIBRE, les bras tendus ou d'une seule main. Toujours le maintenir fermement des deux mains, les doigts et le pouce encerclant les poignées.
- NE PAS SOULEVER LA TETE DE COUPE au-dessus du niveau du sol pendant le fonctionnement de l'appareil (l'utilisateur pourrait se blesser).
- N'UTILISER L'APPAREIL que pour les bordures de gazon et des sections de jardins.
- NE PAS UTILISER L'OUTIL PENDANT DES PERIODES PROLONGEES sans le laisser refroidir de temps à autre.
- N'OPEREZ PAS L'UNITE EN ETANT FATIGUE, MALADE OU SOUS INFLUENCE DE L'ALCOOL OU DES MEDICAMENTS.
- N'UTILISER L'OUTIL QUE SI LE PARE-DEBRIS EST CORRECTEMENT INSTALLE ET EN BON ETAT.
- G** NE MODIFIER OU RETIRER AUCUNE PIECE OU COMPOSANT DE CE PRODUIT. Ceci pourrait causer des dommages corporels et/ou matériels et entraîner l'annulation de la garantie du fabricant.
- A l'extérieur ou à l'intérieur, NE PAS UTILISER votre outil près de tout produit inflammable (liquides, gas...). Ne faites jamais démarrer ni n'opérez dans une pièce renfermée ou un immeuble, car respirer de la fumée peut tuer.
- G** NE PAS UTILISER D'AUTRES ACCESSOIRES DE COUPE. N'utiliser que des pièces et que des accessoires de rechange McCulloch spécifiquement conçus pour augmenter le rendement et maximiser la durée de fonctionnement de nos produits. Ne pas respecter cette recommandation peut causer de mauvais rendements et des blessures. N'utiliser que la tête de coupe fournie avec ce produit. **Ne pas utiliser d'autres accessoires de coupe. L'utilisation de tels accessoires annulera la garantie de l'usine** et risquera de causer des blessures corporelles graves.

3 - MEASURES DE SECURITE

2-3. SYMBOLES INTERNATIONAUX



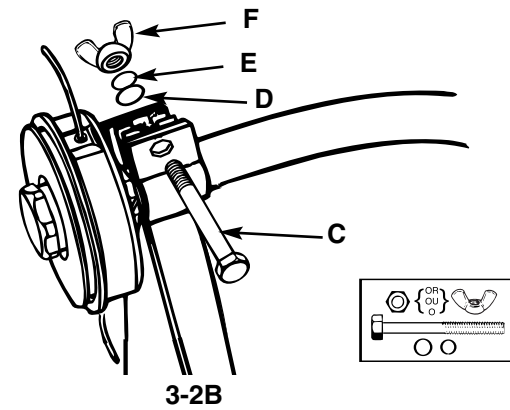
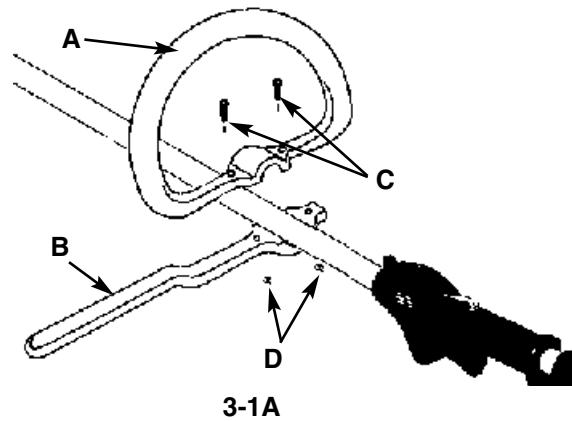
L'utilisation des ces dispositifs de sécurité est foretement recommandé afim de réduire tout risque de blessures accidentelles.

 Lire le manuel d'utilisation.
 Ne pas utiliser de lames sur ce modèle.
 Appuyer 10 fois sur la pompe d'amorçage.
 Distance minimale d'opération.


3 - INSTRUCTIONS POUR MONTAGE

3-1. INSTALLATION DE LA "P" POIGNÉE

1. Pour installer la poignée sur l'unité, vous aurez besoin des composants suivants de votre kit utilisateur : Poignée "P" (A & B), vis (C) et écrous (D). (Fig. 3-1)
2. Installez la poignée P (B) sur l'axe et suivez la flèche sur l'autocollant (étiquette de mise en garde E), placer la poignée (A) et serrez les deux vis (C) et écrous (D).

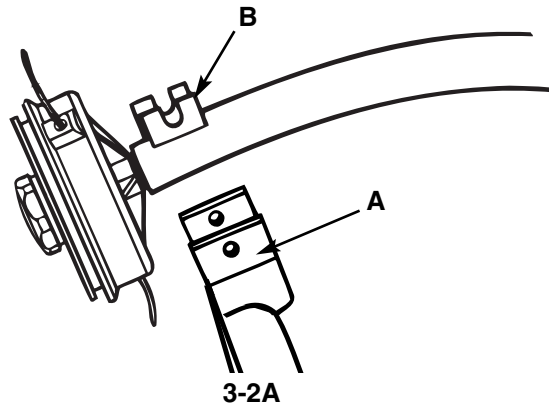


3-2. PARA-DEBRIS AVERTISSEMENT

Le pare-débris doit être installé (Fig. 3-2A) pour assurer une bonne distribution du fil de coupe et assurer la protection de l'opérateur.

L'écran s'adapte fermement sur l'arbre. Une certaine force peut être requise.

1. Faire reposer l'écran (B) sur les supports de l'arbre (C). (Fig. 3-2A)
2. Insérez le boulon (D), la rondelle (E), la rondelle de verrouillage (F) et l'écrou (G), puis serrez fermement. (Fig. 3-2B)



4 - CARBURANT ET LUBRIFICATION

4-1. CARBURANT

Utilisez un mélange d'essence sans plomb standard et d'huile moteur deux temps Genuine McCulloch 40:1 Custom. Utilisez les proportions de mélange données dans la Section 4-3.

G Ne jamais utiliser d'essence pure dans cet outil. Ceci causerait des dommages irréparables et entraînerait l'annulation de la garantie du fabricant. Ne jamais utiliser un mélange entreposé depuis plus de 90 jours.

G Si vous utilisez un lubrifiant deux temps autre qu'un lubrifiant Genuine McCulloch Custom, il est indispensable que ce soit une huile de qualité supérieure pour moteur à deux temps à refroidissement par air mélangée selon une proportion de 40:1. N'utilisez pas d'huile deux temps dont la proportion de mélange recommandée est de 100:1. En cas de dommages causés au moteur du fait d'une lubrification insuffisante, la garantie moteur du fabricant est annulée.

4-2. MELANGE DU CARBURANT

Mélangez le carburant avec une huile deux temps Genuine McCulloch placée dans un conteneur agréé. Utilisez le tableau des mélanges pour les proportions correctes carburant/huile. Secouez le conteneur pour assurer un bon mélange.

G Un manque de lubrifiant annule le garantie de moteur.

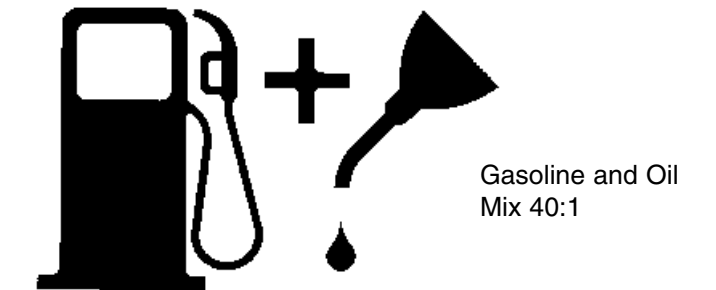
4-3. TABLEAU DES PROPORTIONS

ESSENCE	Lubrifiant Spécial McCulloch à 40:1	
1 U.S. Gal.	3,2 oz.	95ml (cc)
5 Liters	4,3 oz.	125ml (cc)
1 Imp. Gal.	4,3 oz.	125ml (cc)
Proportions de Mélange	40 volumes d'Essence pour un Volume d'Huile	
1ml=1cc		

4-4. CARBURANTS RECOMMANDÉS

Certains carburants conventionnels sont mélangés avec des oxydants tels l'acool ou l'éther afin de se conformer aux standards pour la pureté de l'air. Votre moteur McCulloch est conçu de manière à pouvoir utiliser toute essence pour automobile carburants avec oxydants inclus, tout en vous procurant un fonctionnement satisfaisant.

4-5. SYMBOLES DE CARBURANT ET LUBRIFICATION



5 - FONCTIONNEMENT

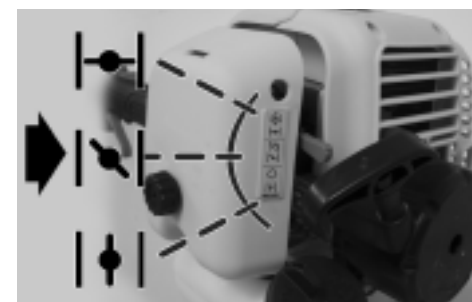
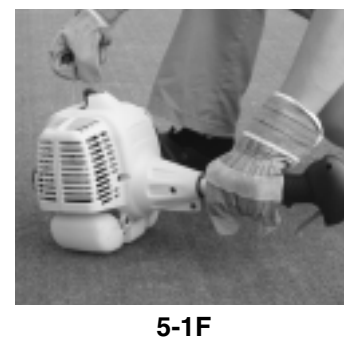
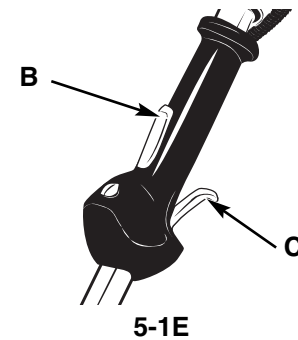
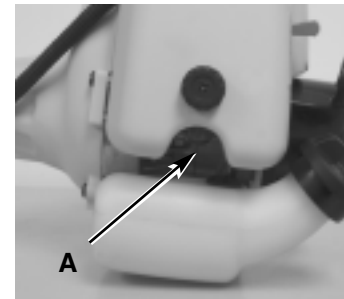
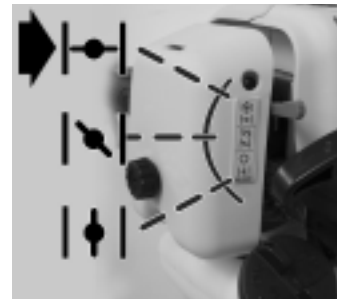
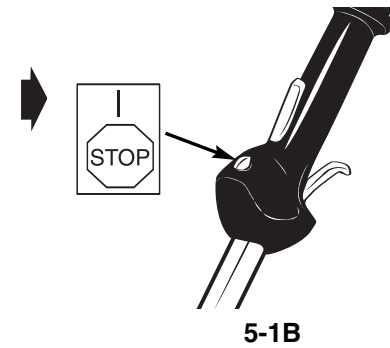
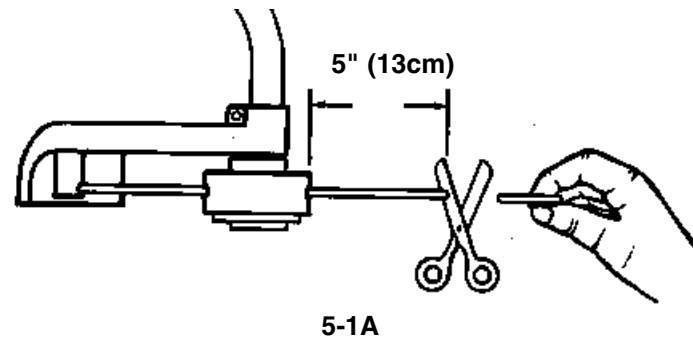
5-1. DEMARRAGE D'UN MOTEUR FROID

REMARQUE : Pour minimiser la charge sur le moteur pendant le démarrage et le réchauffage, couper le fil de coupe à 13cm (5") (Fig. 5-1A).

1. Mettre le contact en position de MARCHÉ « I » (Fig. 5-1B).
2. Votre unité est conçue avec 3 positions des gaz : PLEIN GAZ « I+I », PARTIEL « I+I », et DEMARRAGE « I+I ». Déplacer le régulateur des gaz vers la position PLEIN GAZ « I+I » (Fig. 5-1C).
3. Amorcer le carburateur. Appuyer 10 fois sur la poire (A) d'amorçage du carburant (Fig. 5-1D).
4. Attrapez fermement la poignée – enfoncez le déclencheur de sécurité (B) & le déclencheur d'accélération (C) en position ACCELERATION MAXI. (Fig. 5-1E).
5. Tirer sur le cordon du lanceur jusqu'à ce qu'une résistance se fasse sentir environ 10,5cm (4") (Figure 5-1H). Un mouvement rapide et uniforme est nécessaire pour obtenir une bonne étincelle. Tirer vigoureusement 4 fois sur le cordon.
6. Placer le volet de départ en position MI-GAZ « I+I » (Fig. 5-1G).
7. Tirer à nouveau 4 fois sur le cordon du lanceur.
8. Dès que le moteur a démarré, laisser le volet de départ sur la position MI-GAZ « I+I » pendant 10 secondes.
9. Le déplacer ensuite sur la position MARCHÉ « I » (Fig. 5-1H).
10. Si le moteur ne démarre pas, répétez les étapes 1 à 9.

REMARQUE : Si après plusieurs tentatives le moteur ne démarre toujours pas, consulter la section Dépannage.

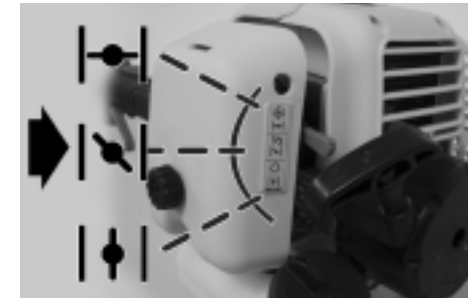
REMARQUE : Toujours tirer le cordon bien à la verticale pour éviter qu'il ne frotte sur le rebord de l'oeillet, ce qui l'userait prématurément. Toujours retinir la poignée du cordon lorsqu'il se rétracte. Ne jamais le lâcher en pleine extension ce qui pourrait l'effiloche et endommager le starter.



5 - FONCTIONNEMENT

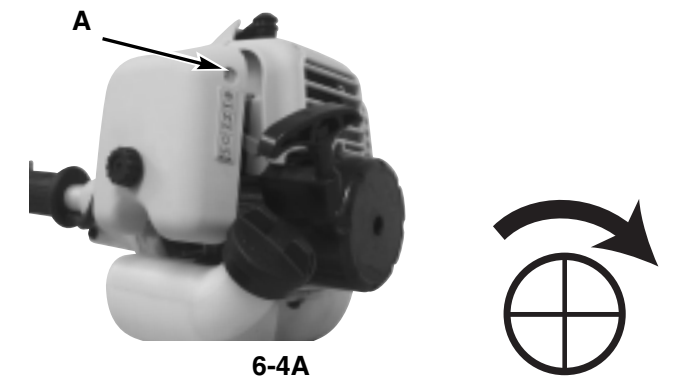
5-2. DEMARRAGE DU MOTEUR CHAUD

1. Déplacer le commutateur de l'allumage en position « DEMARRAGE (I) »
2. Placer les gaz en position MI-GAZ « I+I » (Fig. 5-2).
3. Saisir fermement la poignée des gaz, appuyer à FOND sur la manette (pleins gaz).
4. Saisir fermement la poignée du régulateur tout en relâchant la commande du frein de sécurité et amener le régulateur des gaz en position PLEIN GAZ. Garder le régulateur en position PLEIN GAZ jusqu'à ce que le moteur tourne sans à-coup.
5. Si le moteur ne démarre pas, placer le starter en position MARCHÉ « I » et actionner le lanceur encore 5 fois. Si le moteur ne démarre toujours pas il est probablement noyé. Attendre 5 minutes et répéter la procédure, le starter étant en position MARCHÉ « I » et les gaz ouverts en grand.



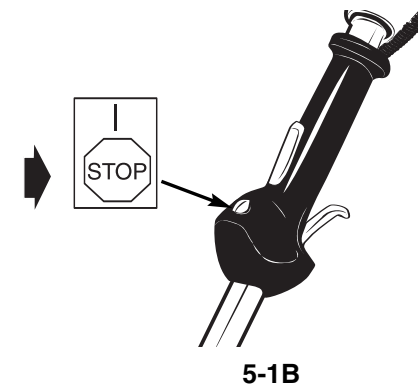
5-4. RÉGLAGE DU RALENTI/DU CARBURATEUR

1. Occasionnellement, dû aux conditions atmosphériques telles que l'altitude il pourrait être nécessaire d'effectuer un léger ajustement à la vitesse à vide.
2. Insérer le tournevis Phillips ou plat dans le trou d'accès A (Figure 5-4A). Tourner 1/8 de tour dans le sens des aiguilles d'une montre pour augmenter la vitesse à vide et 1/8 de tour dans le sens contraire des aiguilles d'une montre pour diminuer la vitesse à vide.



5-3. POUR ARRET DU MOTEUR

Lâcher la manette des gaz. Laisser le moteur revenir au ralenti. Bougez le bouton d'allumage en position "STOP" pour arrêter la machine. (Fig. 5-3)



6 - INSTRUCTIONS POUR LA COUPE

6-1. MESURES DE SECURITE SUPPLEMENTAIRES

Avant d'utiliser votre outil, revoir TOUTES LES MESURES DE SECURITE de ce manuel.

AVERTISSEMENT / ATTENTION

- SI VOUS N'ETES PAS FAMILIARISE AVEC LES TECHNIQUES DE COUPE, pratiquer le MOTEUR A L'ARRRET.
- ZONE DE TRAVAIL - Clarifiez la zone à couper avant chaque utilisation. Enlevez tous les objets du genre pierres, débris de verre, clous, ou bandelette risquant de se prendre dans la pièce de découpage. Si un objet est touché accidentellement, ETEIGNEZ IMMEDIATEMENT LE MOTEUR et examinez l'équipement. N'opérez jamais l'unité avec un équipement endommagé ou défectueux. Clarifiez la zone où se trouvent des passants et des animaux. Au minimum, conservez les enfants, les passants et les animaux en-dehors d'un rayon de 15m. Encouragez les passants à porter une protection oculaire.
- TOUJOURS COUPER OU TAILLER AVEC LE MOTEUR A HAUT REGIME. Ne pas laisser le moteur tourner lentement ni au démarrage ni pendant la coupe.
- NE PAS utiliser l'outil pour des travaux autres que la tonte ou la coupe de l'herbe.
- NE PAS soulever la tête de coupe au dessus des genoux pendant l'utilisation. Ceci est dangereux.
- N'OPEREZ PAS l'unité avec d'autres personnes ou des animaux dans un voisinage. Laissez une distance de 30m entre l'opérateur et les autres personnes ou les animaux en DECOUPANT avec le couteau.
- SI L'OPERATION S'EFFECTUE SUR UNE PENTE, restez debout en retrait de la pièce de découpage. N'OPEREZ jamais sur une pente ou un sommet incliné s'il y a la moindre chance que vous glissiez ou tombiez.
- SI ON S'APPROCHE DE VOUS, arrêtez le moteur et la pièce de découpage. Pour ce qui concerne les unités avec des lames, il y a un risque pour les passants de prise dans les lames en mouvement en cas de poussée des lames ou de toute réaction inattendue de la part de la scie.
- CONTROL DE L'UNITE - L'attache de coupage doit être tournée durant les ajustements du carburateur. Portez un équipement de protection et respectez toutes les instructions de sécurité. Pour les unités équipées avec un embrayage, assurez-vous que l'attache de coupage s'arrête lorsque le moteur est au point mort. Quand l'unité est éteinte, assurez-vous que l'attache de coupage soit bien arrêtée avant de buger l'unité.

6-2. AVANCE DU FIL DE COUPE

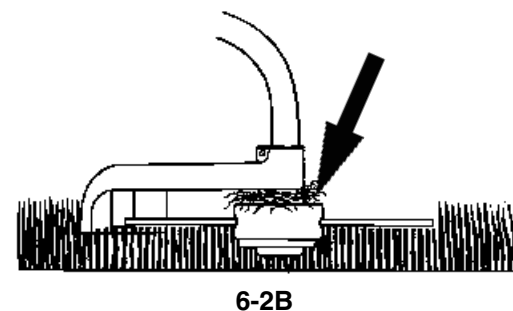
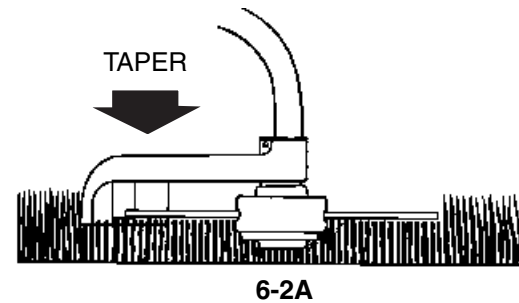
AVERTISSEMENT / ATTENTION

NE JAMAIS utiliser de fil de coupe en acier ou acier revêtu de plastique sur votre tête de coupe. Ceci est extrêmement dangereux.

Pour faire avancer une longueur de fil, «taper» la tête de coupe sur le sol. La lame placée à l'intérieur du pare-débris coupe le fil à la longueur voulue (Figure 6-2A).

ATTENTION

S'assurer que le moteur est éteint et que la tête à fils a arrêté de tourner avant d'essayer cette procédure. Enlever périodiquement l'enveloppe de mauvaises herbes pour empêcher la surchauffe de l'arbre d'entraînement. L'enveloppe de mauvaises herbes se produit quand les torons de mauvaises herbes s'empêtrent autour de l'axe sous la protection contre les débris (Figure 6-2B). Cette condition empêche l'axe d'être correctement refroidi. Enlever l'enveloppe de mauvaises herbes avec le tournevis ou un appareil semblable.



6 - INSTRUCTIONS POUR LA COUPE

6-3. INSTRUCTIONS POUR LA COUPE

Correctement équipé d'un pare-débris et d'une tête de coupe à fil, l'outil permet de tailler les hautes herbes et les mauvaises herbes, si désagréables à voir, dans les endroits difficiles à atteindre - le long des clôtures, des murs, des fondations et autour des arbres. Il peut également être utilisé pour raser la végétation et pour faciliter la préparation d'un jardin ou de dégager une zone particulière.

REMARQUE : Même en procédant avec le plus grand soin, la taille autour des fondations, murs de pierres ou de briques, trottoirs, etc. causera une usure plus rapide du fil de coupe.

POUR TONDRE OU EGALISER

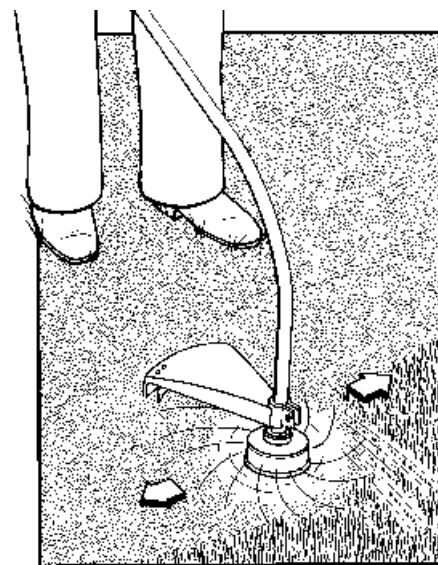
Utiliser un mouvement de balancement latéral semblable à celui d'une faux. Ne pas incliner la tête de coupe. Faire un essai sur la zone à tondre pour vérifier la hauteur de coupe. Garder la tête de coupe à hauteur constante pour une tonte uniforme (Figure 6-3A).

POUR TONDRE DE PLUS PRES

Tenir le coupe-herbe droit devant soi et l'incliner légèrement de manière à ce que le fil de coupe se trouve à l'angle voulu sans que le dessous de la tête de coupe ne touche le sol. Toujours tondre vers l'avant, ne jamais tirer le coupe-herbe à soi.

POUR TAILLER AUTOUR D'OBSTACLES

Pour tailler autour des clôtures grillagées ou en bois, des murs et des fondations, procéder en approchant lentement de manière à couper l'herbe au ras de l'obstacle sans que le fil de coupe ne vienne le fouetter ce qui risquerait de le casser ou de l'effiloche. Si le fil entre en contact avec une clôture grillagée, il se casse.



POUR TAILLER AUTOUR DES ARBRES

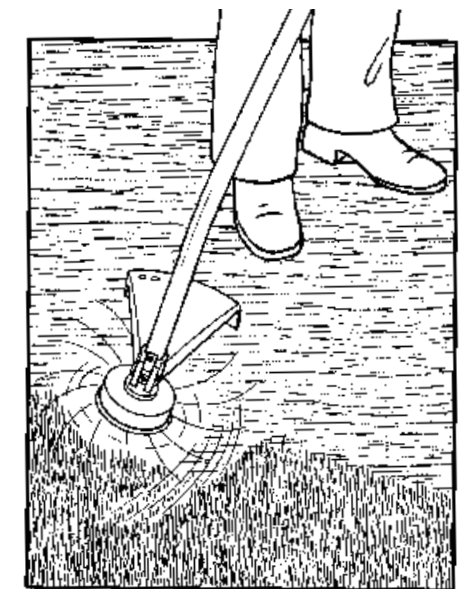
Approcher la base de l'arbre lentement de manière à ce que le fil de coupe ne fouette pas l'écorce. Faire le tour de l'arbre dans le sens des aiguilles d'une montre. Couper avec la pointe du fil de coupe en inclinant légèrement le coupe-herbe vers l'avant.

AVERTISSEMENT

Lors des opérations de RASAGE, procéder avec une extrême prudence. Veiller à ce qu'aucune personne ou aucun animal ne soit présent dans un rayon de 30 mètres (100 pieds).

RASAGE

Le rasage consiste à couper la végétation au ras du sol. Pour ce faire, incliner la tête de coupe vers la gauche à un angle d'environ 30 degrés. Le réglage de la poignée permettra de mieux contrôler le coupe-herbe pendant cette opération. Ne pas essayer de raser une zone où des débris risquent d'être projetés et de causer des dommages personnels ou matériels (Figure 6-3B).



6-3B

AVERTISSEMENT

NE PAS UTILISER LE COUPE-HERBE POUR BALAYER

C'est à dire orienter la tête de coupe pour éliminer les débris des trottoirs, entrées etc. Votre coupe-herbe est un outil puissant capable de projeter des débris à plus de 15 mètres (50 pieds) et de blesser quelqu'un ou d'endommager voitures, vitres ou habitations proches.

7 - ENTRETIEN

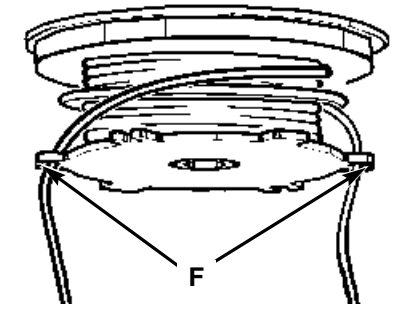
LISTES DES VERIFICATIONS D'ENTRETIEN		CHAQUE USAGE	HEURES D'OPERATION	
PIECE	ACTION		10	20
VIS / ECROUS / BOULONS	INSPECTER / RESSERRER	✓		
FILTRE A AIR	NETTOYER OU REMPLACER		✓	
FILTRE ESSENCE	REEMPLACER			✓
BOUGIE	NETTOYER / REGLER / REMPLACER		✓	
ECRAN PARE-ETINCELLES	NETTOYER OU REMPLACER	✓		
DURITS D'ESSENCE	INSPECTER	✓		
	* REMPLACER SUIVANT LES BESOINS			
TETE DE COUPE	INSPECTER	✓		
	* REMPLACER SUIVANT LES BESOINS			

* Recommandé pour la maintenance par un technicien de centre de service autorisé en utilisant les pièces de rechange d'origine d'usine.

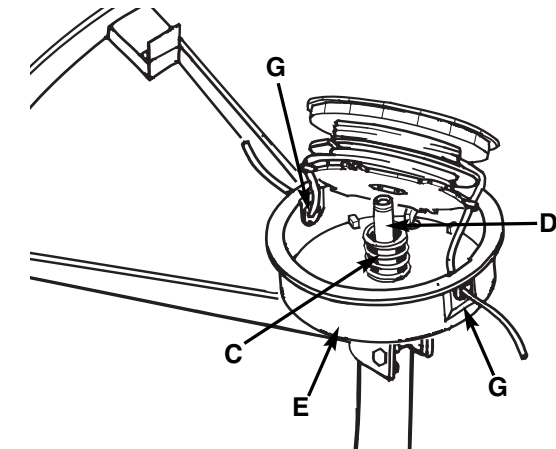
7 - ENTRETIEN

7-1. REMPLACEMENT DU FIL DE COUPE

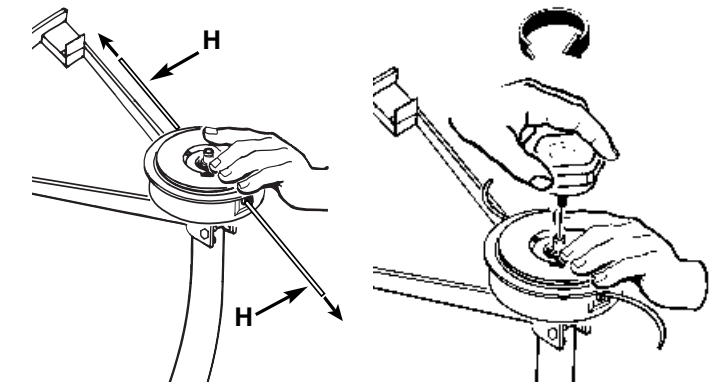
1. Tourner le bouton (A) VERS LA GAUCHE et le retirer (Fig. 7-1A).
2. Retirer la bobine (B) et le ressort (C) de l'axe (D).
3. Retirer le restant de fil (H).
4. Doubler une longueur de 4,3m (14') de fil de coupe de 0,24 ou 0,20cm (0,095" ou 0,080"). Glisser le centre bouclé dans une des encoches du séparateur de bobine (Fig. 7-1B).
5. Enrouler comme illustre (Fig. 7-1C), en tenant tendu, chaque moitié étant séparée par le séparateur de bobine. Enrouler jusqu'à 15cm (6") des extrémités.
6. Bloquer chacune des extrémités de fil dans les encoches (F) diamétralement opposées de l'extérieur de la bobine (Fig. 7-1D).
7. Placer le ressort (C) sur l'axe (D). Insérer chaque extrémité du fil dans les oeilletons (G) du boîtier (E) (Fig. 7-1E).
8. Enfoncer la bobine (E) tout en faisant avancer le fil dans les oeilletons (G). Vérifier que le ressort se positionne correctement dans la bobine (Fig. 7-1E).
9. Une fois la bobine en place, appuyer pour compresser le ressort. Tirer fermement sur chaque extrémité du fil (H) pour le dégager des encoches (Figure 7-1F).
10. Continuer d'appuyer sur la bobine jusqu'à ce que l'axe dépasse suffisamment pour permettre de visser le bouton. Visser le bouton DE GAUCHE A DROITE (Fig. 7-1G).
11. Couper l'excédent de fil à environ 13cm (5"). Ceci minimisera la charge sur le moteur pendant le démarrage et le réchauffage (Figure 7-1H).



7-1D

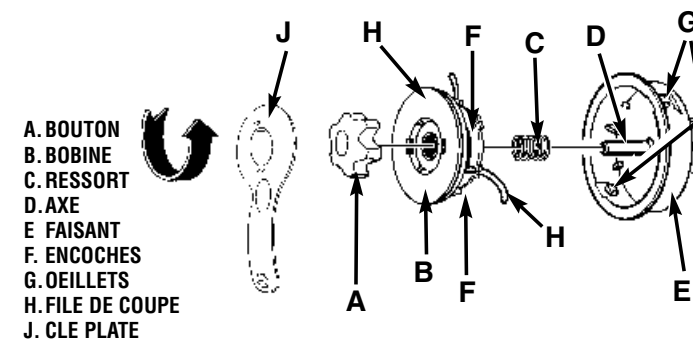


7-1E

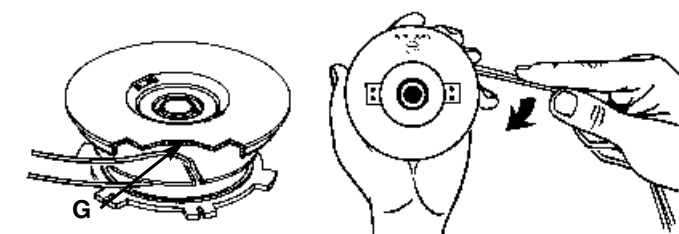


7-1F

7-1G

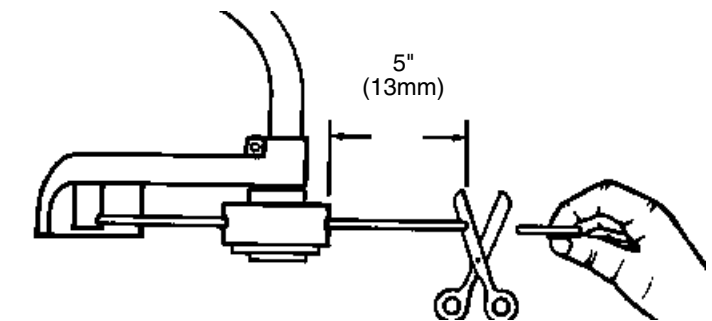


7-1A



7-1B

7-1C



7-1H

7 - ENTRETIEN

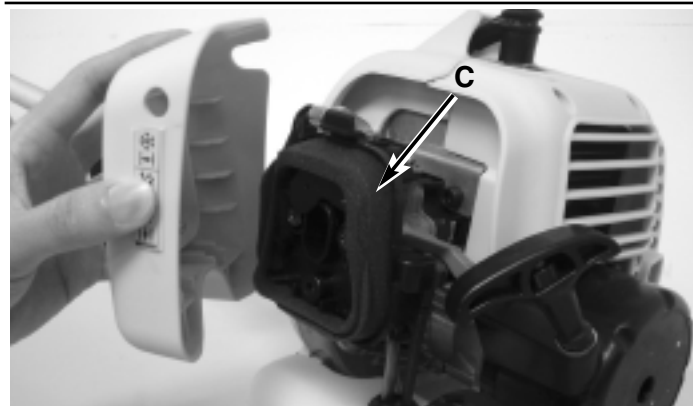
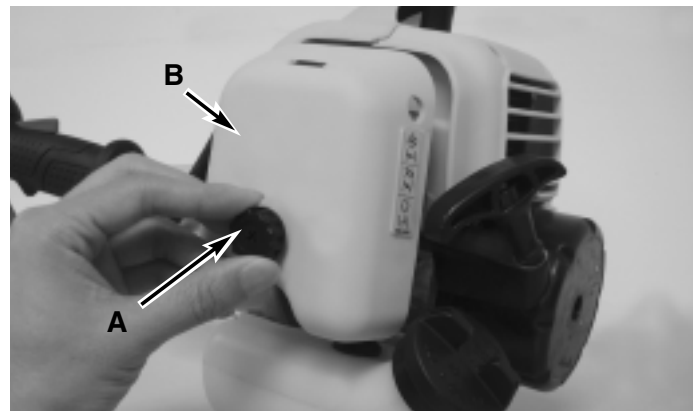
7-2. FILTRE A AIR ATTENTION

NE JAMAIS utiliser le coupe-herbe sans filtre à air. Le filtre à air doit rester propre. Si endommagé, remplacer.

Nettoyage du filtre à air:

1. Retirer les bouton (A) retenant le couvercle du filtre à air, retirer le couvercle (B) et retirer le filtre (C) du boîtier (Fig. 7-2A).
2. Laver le filtre à l'eau savonneuse. **NE PAS UTILISER D'ESSENCE!**
3. Sécher le filtre à l'air.
4. Replacer le filtre.

REMARQUE : Si le filtre est effiloché, déchiré, endommagé ou s'il ne peut pas être nettoyé, le remplacer.



7-2A

7-3. BOUCHON DU RESERVOIR / FILTRE A CARBURANT ATTENTION

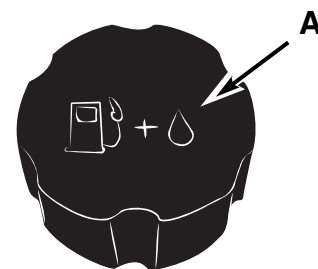
Vider l'essence contenue dans le réservoir et la placer dans un récipient homologué avant de commencer cette opération. Ouvrir le bouchon de essence lentement pour soulager la pression éventuellement accumulée dans le réservoir.

REMARQUE : Veiller à ce que l'évent du bouchon (A) soit exempt de débris (Fig. 7-4A).

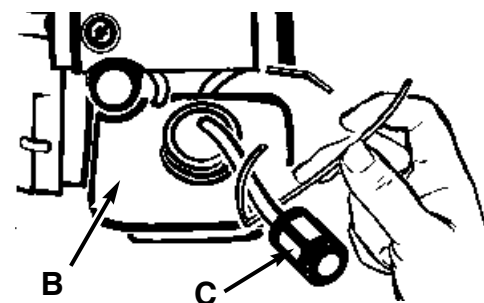
Filtre à Carburant:

1. Enlevez complètement le capuchon depuis le réservoir de carburant (B) pour permettre d'enlever le filtre de carburant (C) depuis le réservoir. (Fig. 7-4B).
2. Retirer le filtre (D) avec un mouvement de torsion. (Fig. 7-4C)
3. Remplacer le filtre à carburant (D). (Fig. 7-3D)

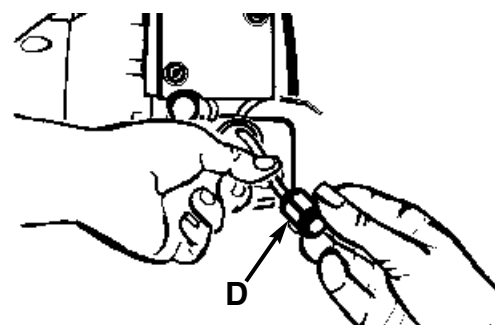
G REMARQUE : Ne jamais utiliser le coupe-herbe sans le filtre à carburant car ceci pourrait causer des dommages internes au moteur!



7-3A



7-3B



7-3C

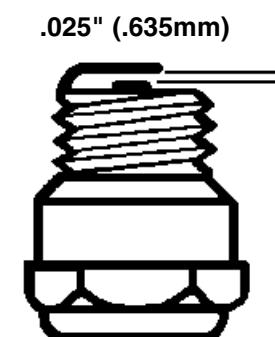
7 - ENTRETIEN

7-4. REGLAGE DU CARBURATEUR

Le carburateur a été réglé en usine pour une performance optimale. Veuillez consulter la section 5-4, pour des informations sur le point mort du moteur.

7-5. BOUGIE

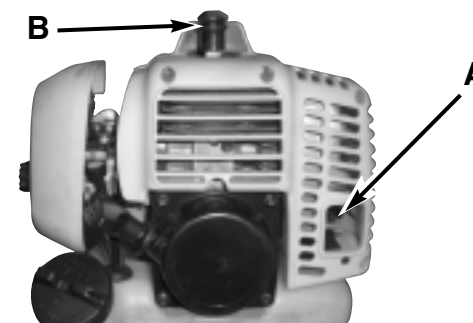
1. Pour enlever la bougie d'allumage B (Fig. 7-6A) pour le nettoyage ou le remplacement: s'assurer que le moteur est éteint, la bougie d'allumage est froide puis saisir la gaine de la bougie fermement et enlever la de la bougie d'allumage. Retirer la bougie avec un outil de bougie approprié. Inspecter, nettoyer ou remplacer selon le besoin.
2. L'écartement de bougie = 0,635mm (0,025") (Fig. 7-5A).
3. Replacer la bougie et la serrer à 12 à 15 N•m (105 à 130 pouces-livres). Reconnecter le fil de la bougie.
4. Au besoin, remplacez avec le champion RZ7C ou l'Équivalent.



7-5A

7-6. ECRAN PARE-ETINCELLES

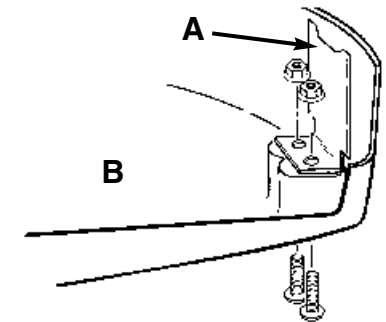
1. Pour changer l'écran stoppeur d'étincelles (A) (Fig. 7-6A), utilisez des pinces à bout d'aiguille; pincez un bord de l'écran stoppeur d'étincelles. Sortez en suite l'écran stoppeur d'étincelles.
2. Utilisez les pinces à bout d'aiguille pour poser un nouvel écran stoppeur d'étincelles. Ouvrez ensuite un petit peu les pinces pour presser sur la surface interne de l'écran stoppeur et pour le serrer fermement.



7-6A

7-7. AFFUTAGE DE LA LAME PARE-DEBRIS

1. Retirer la lame (A) du pare-débris (B) (Fig. 7-7A).
2. Serrer la lame dans un étau d'établi. L'affûter à l'aide d'une lime plate en veillant à maintenir l'angle de coupe. Limer toujours dans la même direction.



7-7A

7-8. EMMAGASINER L'APPAREIL

G Le non respect des instructions ci-dessous peut entraîner la formation de vernis dans le carburateur et résulter en des difficultés de démarrage ou des dommages permanents après l'emménagement.

1. Effectuer tous les entretiens d'ordre général recommandés dans la section «Entretien» du manuel d'utilisation.
2. Nettoyer l'extérieur du moteur, l'arbre de transmission, le pare-débris et la tête de coupe.
3. Vidanger le réservoir de carburant.
4. Une fois le réservoir vide, faire démarrer le moteur.
5. Laisser tourner le moteur au ralenti jusqu'à ce qu'il s'arrête, afin de purger le carburateur de carburant.
6. Laisser refroidir le moteur (environ 5 mn).
7. Retirer la bougie à l'aide d'une clé à bougie.
8. Verser 1 cuillerée à thé d'huile 2 temps propre dans la chambre de combustion. Tirer lentement le cordon du lanceur plusieurs fois de manière à lubrifier les composants internes. Remonter la bougie.
9. Placer l'appareil dans un endroit sec, frais et éloigné de toute source d'allumage telles brûleur à mazout, chauffe-eau, etc.

7-9. PREPARATION APRES EMMAGASINAGE

1. Retirer la bougie.
2. Tirer vigoureusement sur le cordon du lanceur de manière à éliminer l'excès d'huile dans la chambre de combustion.
3. Nettoyer les électrodes de la bougie et régler l'écartement ou installer une nouvelle bougie.
4. Préparer le coupe-herbe pour son utilisation.
5. Remplir le réservoir à carburant d'un mélange huile/essence approprié. Voir la section Carburant et Lubrification.

8 - DEPANNAGE DU MOTEUR

PROBLEME	CAUSE PROBABLE	SOLUTION
L'outil ne démarre pas ou démarre et cale. nit won't start or starts but will not run.	Procédure de démarrage incorrecte.	Voir les instructions du manuel d'utilisation.
	Mauvais réglage du carburateur.	Faire régler le carburateur par un McCulloch service agréé.
	Bougie noyée	Nettoyer la bougie, régler l'écartement des électrodes ou remplacer la bougie.
	Filtre à carburant colmaté.	Remplacer le filtre à carburant.
Le moteur démarre mais manque de puissance.	Position du starter incorrecte.	Placer le starter su la position RUN (MARCHE).
	Fare-étincelles encrassé.	Remplacer l'écran pare-étincelles.
	Filtre à air encrassé.	Retirer le filtre, le nettoyer et el replacer.
	Mauvais réglage du carburateur.	Faire régler le carburateur par un McCulloch service agréé.
Le moteur a des ratés.	Mauvais réglage du carburateur.	Faire régler le carburateur par un McCulloch service agréé.
Manque de puissance sous la charge.		
Ne tourne pas régulièrement.	Mauvais écartement des électrodes de la bougie.	Nettoyer la bougie, régler l'écartement des électrodes ou remplacer la bougie.
Fumée excessive.	Mauvais réglage du carburateur.	Faire régler le carburateur par un McCulloch service agréé.
	Mélange huile / essence incorrect.	Utiliser un mélange adéquat (40:1).

9 - DEPANNAGE DE LA TETE DE COUPE

PROBLEME	CAUSE PROBABLE	SOLUTION
Le fil de coupe n'avance pas.	Le fil est emmêlé dans la tête de coupe.	Retirer la bobine et la démonter (voir la Section 7-1). Démêler la ligne et l'enrouler correctement sur la bobine dans la sens indiqué.
	Les 2 lignes semblent être fondues ensemble dans la tête de coupe.	Couper la section de fil endommagé et réenrouler la ligne (voir la Section 7-1).
	La ligne est enroulé dans le mauvais sens à l'intérieur de la tête de coupe.	Retirer la bobine et vérifier que la ligne est bien enroulée dans le sens indiqué (voir la Section 7-1)
	Il ne reste plus assez de fil sur la bobine.	Retirer la bobine et (voir Section 7-1) installer une nouvelle ligne de coupe.
La ligne casse ou s'effiloche	Procédures de coupe incorretes ou ligne de qualité médiocre.	Démontez la tête de coupe (voir Section 7-1) et examiner les pièces en vue de dommages. Remplacer les pièces ou la tête de coupe.
		Voir les procédures d'élagage (voir la section 6-3) ou remplacer la ligne (voir la section 7-1)
Le bouton de la tête de coupe ne peut pas être desserré.	Bouton excessivement serré.	Appliquer un antigrippant su le filetage et revisser le bouton. SERRER A LA MAIN UNIQUEMENT.
La tête de coupe et l'arbre de transmission sont chauds au toucher.	Enroulement d'herbe.	Eliminer l'herbe enroulée autouor de l'arbre (voir la Section 6-2)

10 - GARANTIE LIMITÉE DE UN ANNÉE

1. DURÉE

La durée de la garantie des produits McCulloch s'établit comme suit: un (1) ANNÉE à compter de la date initiale de l'achat à condition que l'appareil soit utilisé à des fins personnelles, domestiques, pour des travaux de ferme ou de ranch, et qu'il ne soit pas utilisé à des fins de location; QUATRE-VINGT-DIX (90) JOURS à compter de la date d'achat initial lorsque les produits sont utilisés à des fins commerciales, professionnelles, institutionnelles ou de location. Cette garantie vous donne des droits légaux spécifiques. Vous pouvez également bénéficier d'autres droits qui varient selon les états ou provinces. PAR LA PRÉSENTE, MCCULLOCH DÉCLINE TOUTE RESPONSABILITÉ EN CE QUI CONCERNE TOUTE GARANTIE IMPLICITE APRÈS LES DATES D'EXPIRATION APPLICABLES DE CETTE GARANTIE LIMITÉE EXPRESSE. (Certains états ou certaines provinces ne permettant pas de limitation de la durée des garanties implicites. Les limitations ci-dessus peuvent donc ne pas s'appliquer à votre cas.)

2. PAR QUI LA GARANTIE EST-ELLE OFFERTE

McCulloch U.S.A 1-800-521-8559
12802 Leffingwell Rd. Santa Fe Springs, CA 90670 USA

3. QUI EST COUVERT PAR CETTE GARANTIE

- L'acheteur d'un produit McCulloch (à condition que le produit ne soit pas destiné à la revente).
- Toute personne à qui le produit est légalement cédé pour la durée de la garantie implicite ou écrite applicable au produit.
- Toute autre personne autorisée, aux termes de la garantie ou des lois applicables, à demander au Garant de respecter ses obligations.
(Les parties sus-mentionnées sont ci-après désignées sous le nom de «Utilisateur.»)

4. CE QUI EST COUVERT PAR CETTE GARANTIE

Toute défaillance survenant pendant la période de garantie applicable et qui découle de défauts de matériaux ou de fabrication.

5. CE QUI N'EST PAS COUVERT PAR CETTE GARANTIE

- Tout dommage indirect ou consécutif découlant possiblement de la défaillance ou du mauvais fonctionnement d'un produit McCulloch. (Comme certains états ou certaines provinces n'autorisent pas l'exclusion ou la limitation des dommages indirects ou consécutifs. Ces limitations peuvent ne pas s'appliquer à votre cas.)
- Toute défaillance découlant d'un accident, d'un usage abusif, d'une négligence ou du défaut d'utiliser le produit conformément aux directives fournies dans la ou les Notices d'utilisation qui accompagnent le produit, ou découlant d'une réparation inadéquate par un Centre de réparation non agréé.
- Les réglages normaux décrits dans la ou les Notices d'utilisation fournies avec le produit.
- Tout composant ou accessoire qui n'est pas vendu ou fabriqué par le Garant.
- Les préparations ou assemblages préalables à la livraison.
- Cette garantie ne s'applique pas aux accessoires ni à l'entretien ou aux réglages normaux du produit décrits dans la ou les Notices d'utilisation.

6. RESPONSABILITÉS DU GARANT AUX TERMES DE CETTE GARANTIE

- Réparer ou remplacer gratuitement pour l'utilisateur les composants qui s'avèrent défectueux pendant la période de garantie applicable.
- S'assurer que le Centre de réparation agréé est remboursé pour les frais de matériaux et de main-d'oeuvre engagés pour effectuer les réparations au titre de la garantie conformément aux politiques et procédures de garantie établies.

7. RESPONSABILITÉS DE L'UTILISATEUR AUX TERMES DE CETTE GARANTIE

- L'utilisateur doit livrer ou expédier le produit McCulloch couvert par la garantie au concessionnaire chez qui le produit a été acheté ou au Centre de réparation agréé le plus proche. Une preuve d'achat est requise.
- Les frais d'expédition, le cas échéant, sont à la charge de l'utilisateur.
- Veiller à l'entretien, à l'utilisation et au remisage du produit avec une diligence raisonnable, tel qu'il est expliqué dans la ou les Notices d'utilisation.

8. MOMENT POUR LE GARANT DE S'ACQUITTER DE SES OBLIGATIONS AUX TERMES DE CETTE GARANTIE

- Les dates de réparation des produits sous garantie seront fixées pour le Centre de réparation en fonction de la charge normale de travail et suivant la disponibilité des pièces.
- Si le délai pour la réparation excède dix (10) jours à compter de la date de livraison au réparateur agréé, la garantie sera prolongée du nombre de jours supplémentaires pendant lesquels le produit est inutilisable.
- Si l'utilisateur n'obtient pas entière satisfaction auprès de son Centre de réparation local, il doit se mettre en rapport McCulloch, ou composer le numéro sans frais.

MCCULLOCH®

MANUAL DEL USUARIO

Recortadoras de Hilo de Gas

Modelo : MCT3362VA

**SEGURIDAD
OPERACION
MANTENIMIENTO**



ADVERTENCIA • FAVOR DE LEER

Para su propia seguridad, favor de leer este manual antes de intentar operar su unidad nueva. Si no se siguen estas instrucciones se pueden provocar serias heridas personales. Favor de dedicar un poco de tiempo para familiarizarse cada vez que se utilice la unidad.

INTRODUCCION

POR FAVOR LEA

Estimado Cliente,
Gracias por comprar un producto McCulloch. Con una operación y mantenimiento adecuado, le proveerá con años de servicio.


Para hacer el mejor uso de su inversión, **ASEGURESE** de familiarizarse con **TODO** el contenido en el manual del usuario antes de intentar operar y mantener su unidad.

2. Asegúrese de que sigue las instrucciones de inicio, funcionamiento y mantenimiento de este producto que se incluyen en este manual.

En este manual se encontraran las siguientes expresiones de advertencia: **NOTA**., **ADVERTENCIA**, **PRECAUCION** y **GARANTIA**.

Una **NOTA**: se utiliza para comunicar información adicional, para resaltar una explicación en particular, o para expandir la descripción de un paso.

ADVERTENCIA o **PRECAUCION** identifican un procedimiento el cual no debe ser tomado o en caso de ser tomado puede resultar en serias lesiones personales y/o daño a la unidad.

El  (**SIMBOLO DE GARANTIA**) sirve de aviso de que a menos que las instrucciones o procedimientos no sean seguidos, cualquier daño causado anulará la garantía y las reparaciones estarán a cargo del dueño.

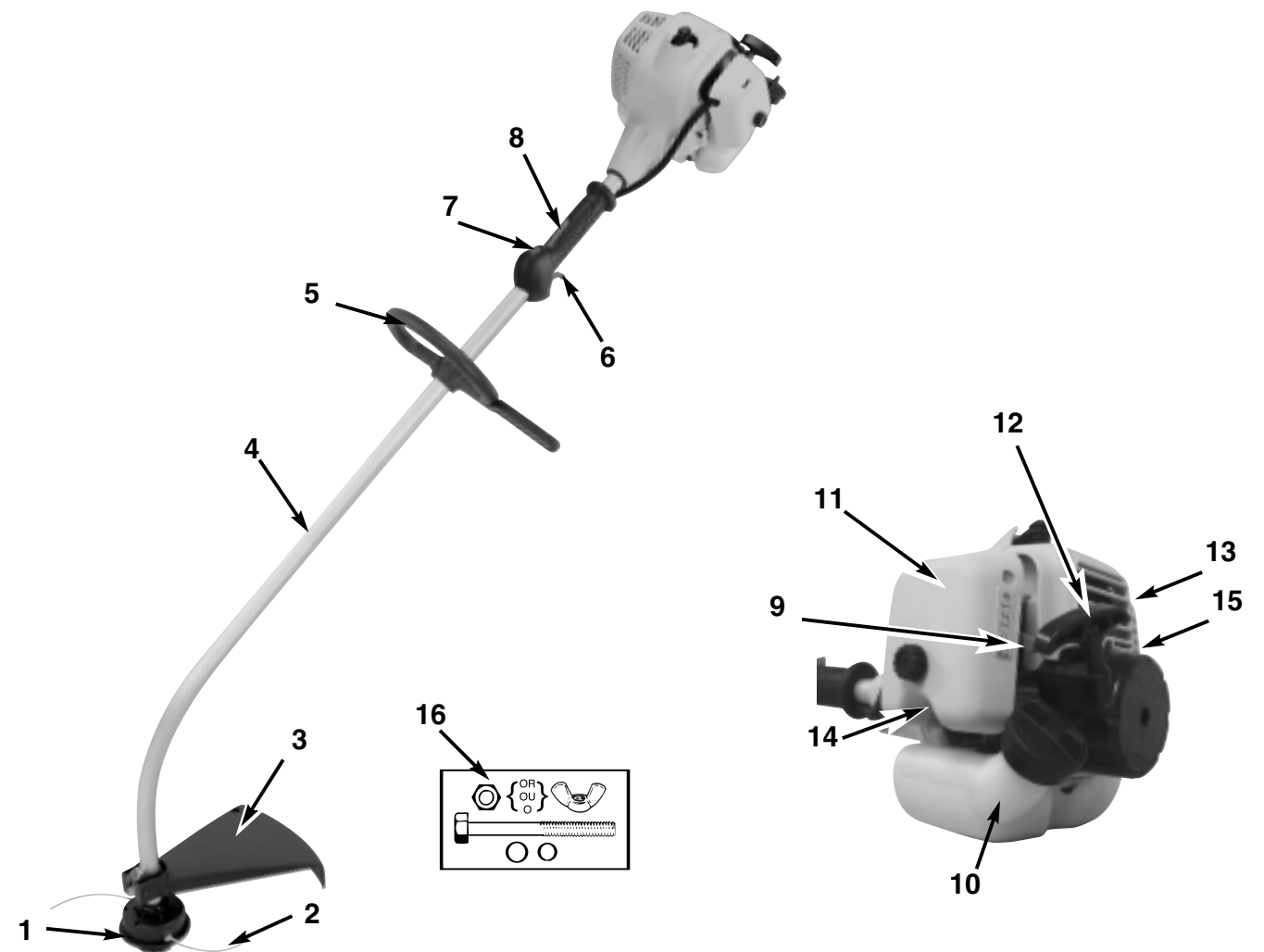
Ponga atención particular a las precauciones de seguridad. Están escritas para su protección y contienen información importante que usted debe saber para operar sin riesgo su recortadoras.

PARA GARANTÍAS O REPARACIONES, PÓNGASE EN CONTACTO CON EL CENTRO DE SERVICIO AUTORIZADO MÁS CERCANO. LOCALICE EL CENTRO DE SERVICIO MÁS CERCANO MEDIANTE EL NÚMERO GRATUITO INCLUIDO EN ESTE MANUAL.

TABLA DE CONTENIDOS

1 INFORMACION GENERAL	41
1-1. Identificación general	
1-2. Características de seguridad	
1-3. Especificaciones	
2 PRECAUCIONES DE SEGURIDAD	42
2-1. Que hacer	
2-2. Que no hacer	
2-3. Símbolos internacionales	
3 INSTRUCCIONES DE ENSEMBLADO	45
3-1. Ensamblaje de manillar "P"	
3-2. Protector de desechos	
4 COMBUSTIBLE Y LUBRICACION	46
4-1. Combustible	
4-2. Mezcla del combustible	
4-3. Tabla de mezcla del combustible	
4-4. Combustible recomendado	
4-5. Símbolos de combustible lubricacion	
5 OPERATING INSTRUCTIONS	47
5-1. Arranque del motor frio	
5-2. Para detener el motor	
5-3. Arranque del motor caliente	
5-4. Ajuste de ralenti/carburador	
6 INSTRUCCIONES PARA LA PODA	49
6-1. Precauciones adicionales de seguridad	
6-2. Liberacion de la linea de la cabeza de hilo	
6-3. Procedimientos de poda	
7 INSTRUCCIONES DE MANTENIMIENTO	51
7-1. Reemplazo de la linea de la cortadora	
7-2. Filtro de aire	
7-3. Tapa de combustible/filtro de combustible	
7-4. Ajuste del carburador	
7-5. Bujia	
7-6. Parachispas	
7-7. Afilado de la navaja del protector de desechos	
7-8. Almacenando una unidad	
7-8. Retirando una unidad el almacenaje	
8 DETECCION Y CORRECCION DE FALLAS DE MOTOR .	56
9 DETECCION Y CORRECCION DE FALLAS DE LA CEBAZA DE HILO	57
10 GARNATÍA LIMITADA DE UN AÑO	58

1 - INFORMACION GENERAL



1-1. IDENTIFICACION GENERAL

1. CABEZAL DE AVANCE POR GOLPES*
2. LINEA DE LA CORTADORA*
3. PROTECTOR DE DESECHOS*
4. ENSAMBLE DEL EJE IMPULSOR
5. MANUBRIO P
6. GATILLO DE ADMISION
7. PALANCA DE ENCENDIDO/APAGADO
8. GATILLO DE SEGURIDAD
9. PALANCA DEL AHOGADOR
10. TANQUE DE COMBUSTIBLE
11. CUBIERTA DEL FILTRO DE AIRE
12. MANIJA DEL MECANISMO DE ARRANQUE
13. TORNILLO DE RETENCION DEL EJE IMPULSOR
14. FOCO DE CARGA
15. PANTALLA DEL PARACHISPAS*
16. ACCESORIOS DEL BLINDAJE CONTRA DESECHOS

NOTA: NO SE PUEDEN utilizar cuchillas con estos modelos.

* Suministrada en el kit del usuario

1-2. CARACTERISTICAS DE SEGURIDAD

Los números que preceden a las descripciones corresponden a los números en la página anterior para ayudar a localizar la característica de seguridad.

- 3 El PROTECTOR DE DESECHOS debe instalarse para prevenir que los desechos salten hacia el operador y evita que el hilo se extienda más de lo necesario.
- 13 PROTECTOR DEL MOFLE ayuda a evitar que las manos, el cuerpo y/o los materiales del combustible hagan contacto con el mofle caliente.
- 15 La PANTALLA DEL PARACHISPAS retiene el carbón y otras partículas inflamables de hasta .6 mm (0.023") de tamaño del flujo de descarga.

NOTA: El cumplimiento de las leyes locales, estatales y federales y/o las regulaciones que rigen el uso de la pantalla del parachispas es **responsabilidad del usuario**. Consultar las Precauciones de Seguridad (Sección 3) y las Instrucciones de Mantenimiento (Sección 8) para información adicional.

1 - INFORMACION GENERAL

1-3. ESPECIFICACIONES

Tipo de motor	Enfriado por aire, 2 ciclos, Cilindro de Cromo
Desplazamiento	.26cc / 1.8ci
Peso en Seco	10.78 lbs. / 4.9 kg
Capacidad de Combustible	.550 ml
Longitud del Eje Impulsor	.52" (132cm)
Faja de Corte	.17" / 43cm
Manubrio	"P" Manubrio
Carburador	Tipo Carga / Diafragma
Encendido	Electrónica
Impulsor	Embrague
Potencia máxima de motor	.0.78 kW
Velocidad máxima de rotación	.7600 min ⁻¹
Velocidad de marcha en vacío	.3000±300 min ⁻¹

2 - PRECAUCIONES DE SEGURIDAD

3-1. QUE HACER

LEER EL MANUAL DEL USUARIO Y TODOS LOS SUPLEMENTOS (SI SE ADJUNTAN) POR COMPLETO ANTES DE OPERAR SU UNIDAD.

1. INDUMENTARIA - Use siempre pantalones largos, gruesos, botas, guantes y camisa de manga larga. No use ropas flojas, joyas, pantalones cortos, sandalias, o Asegúrese el pelo de tal forma que esté a nivel de los hombros. Use siempre un casco protector, una careta o gafas de seguridad para protección de los ojos y unos tapones de buena calidad para los oídos u otras barreras de protección auditiva.
2. COMBUSTIBLE - Mezcle y vierta el combustible al aire libre donde no haya chispas o llamas. Retire lentamente la tapa del combustible sólo después de detener el motor. No fume mientras esté cargando o mezclando el combustible. Seque con un trapo el combustible derramado de la unidad. Alejese al menos 30 pies (9 m) de la fuente (tanque de gasolina) y sitio de combustible antes de arrancar la unidad.
3. CUMPLIR CON TODAS LAS REGULACIONES DE PREVENCIÓN CONTRA EL FUEGO. EL CUMPLIMIENTO DE TODAS LAS LEYES LOCALES, ESTATALES O FEDERALES EN LOS ESTADOS UNIDOS ES RESPONSABILIDAD DEL USUARIO. La unidad incluye una pantalla del parachispas suministrada en el kit del usuario. Los kits de la pantalla del parachispas de repuesto están disponibles en su Centro de Servicio Autorizado McCulloch más cercano enlistado bajo "SIERRAS" en las páginas amarillas del directorio telefónico.
4. APAGAR LA UNIDAD antes de colocarla sobre el piso.
5. SOSTENER SIEMPRE LA UNIDAD FIRMEMENTE CON LAS DOS MANOS, con el pulgar y los dedos rodeando los manubrios.
6. MANTENER APRETADOS TODOS LOS TORNILLOS Y SUJETADORES. No operar nunca el equipo si está mal ajustado o no está ensamblado por completo y con seguridad.
7. MANTENER SECOS LOS MANUBRIOS, limpios y libres de la mezcla del combustible.
8. MANTENGA LA CABEZA DE HILO TAN CERCA AL PISO COMO SEA PRACTICO. Evite el contacto de objetos pequeños con la cabeza de hilo. Cuando corte en un declive, párese debajo del nivel de la cabeza de hilo.
9. REVISE EL AREA QUE VA A PODAR POR SI HAY DESECHOS que puedan ser golpeados o arrojados durante la operación.
10. MANTENGA TODAS LAS PARTES DE SU CUERPO Y ROPA ALEJADAS DE LA CABEZA DE HILO cuando encienda o esté encendido el motor.
11. APAGUE EL MOTOR antes de examinar la línea de la cortadora.
12. ALMACENAR EL EQUIPO LO MAS LEJOS POSIBLE DE FUENTES DE IGNICION, como calentadores de agua accionados con gas, secadoras de ropa, hornos de petróleo, calentadores portátiles, etc.

13. SIEMPRE CONSERVE el protector de desechos, cabeza de hilo y motor libres de acumulación de desperdicios.
14. LA OPERACION DEL EQUIPO debe restringirse siempre a personas adultas y capacitadas en forma adecuada.

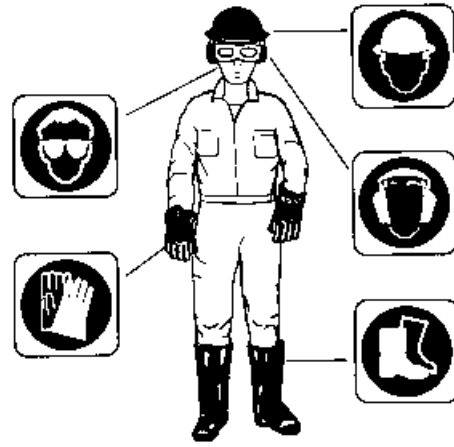
3-2. QUE NO HACER

1. **G** O UTILIZAR NINGUN OTRO COMBUSTIBLE que no sea el recomendado en el manual. Se deben seguir siempre las instrucciones de la Sección de Combustible y Lubricación de este manual. No utilizar nunca gasolina a menos que esté mezclada en forma adecuada con lubricante para motor de 2 ciclos. De lo contrario se provocarán daños permanentes al motor, anulando la garantía del fabricante.
2. NO FUMAR al estar reabasteciendo de combustible o mientras está operando el equipo.
3. NO OPERAR LA UNIDAD SIN EL MOFLE y si el protector del mofle no está bien instalado.
4. NO TOCAR ni dejar que las manos o el cuerpo entren en contacto con el mofle caliente o con los alambres de la bujía de encendido.
5. NO OPERAR LA UNIDAD EN POSICIONES DIFÍCILES DE MANEJAR, fuera de equilibrio, con los brazos extendidos, o con una sola mano. Usar siempre las dos manos al operar la unidad con los pulgares y los dedos rodeando los manubrios.
6. NO LEVANTE LA CABEZA DE HILO arriba del nivel del piso mientras esté operando la unidad.
7. NO USE LA UNIDAD PARA OTROS PROPOSITOS que no sean la poda de césped o áreas de jardín.
8. NO OPERAR LA UNIDAD POR PERIODOS PROLONGADOS. Dejarla descansar periódicamente.
9. NO OPERE LA UNIDAD CUANDO ESTÉ CANSADO, ENFERMO O BAJO LA INFLUENCIA DE ALCOHOL, DROGAS O MEDICAMENTOS.
10. NO OPERAR LA UNIDAD SI NO SE HA INSTALADO EL PROTECTOR DE DESECHOS Y/O LA GUARDA Y SI NO ESTAN EN BUENAS CONDICIONES.
11. **G** NO AÑADIR, QUITAR O ALTERAR NINGUN COMPONENTE DE ESTE PRODUCTO. De lo contrario se pueden provocar heridas personales y/o daños a la unidad anulando la garantía del fabricante.
12. NO OPERE la unidad cerca o alrededor de líquidos o gases inflamables, aunque se encuentre en ambientes cerrados o al aire libre. Nunca arranque u opere la unidad dentro de un cuarto o edificio cerrado, la aspiración de los humos de escape puede ser mortal.
13. **G** NO USE NINGUN OTRO ADITAMENTO DE CORTE. Use exclusivamente partes de reemplazo y accesorios McCulloch, que están diseñados específicamente para mejorar el rendimiento y maximizar el funcionamiento seguro de nuestros productos. De no hacerlo así, puede ocasionar un pobre rendimiento y posibles daños. Utilice sólo la cabeza de hilo suministrada con este producto. **No use ningún otro aditamento de corte. El uso de estos invalidará la garantía de fábrica y podría provocar heridas corporales serias.**

2 - PRECAUCIONES DE SEGURIDAD

2-3. SIMBOLOS INTERNACIONALES

El uso de estos artículos de seguridad personal es altamente recomendado para reducir el riesgo de lesiones accidentales.



Lea Manual de Usuario.



No use cuchilla en esta unidad.



El bulbo de cebado 10 veces.



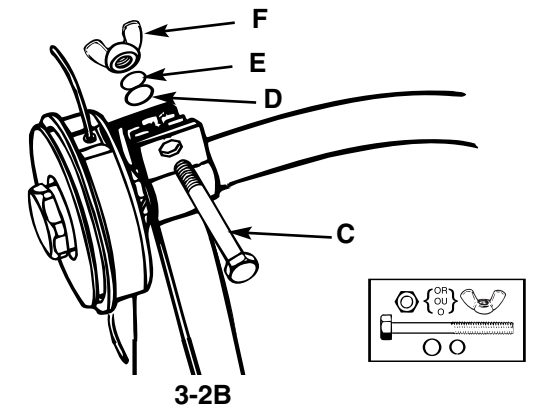
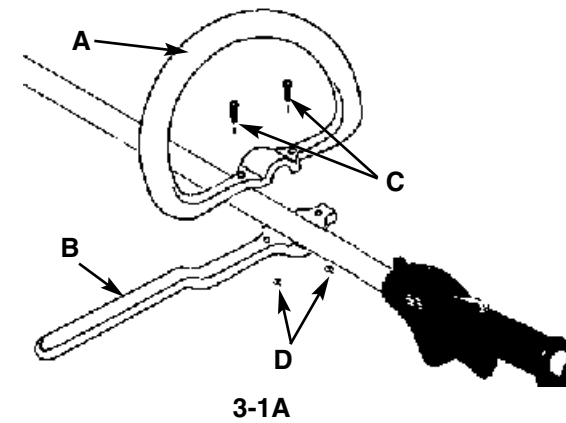
Distancia mínima de operación.



3 - INSTRUCCIONES DE ENSEMBLADO

3-1. ENSAMBLAJE DEL MANILLAR "P"

1. Para unir el manillar a la unidad necesitará los siguientes componentes de su kit de usuario: el manillar "P" (A & B), tornillos (C) y tuercas (D). (Figura 3-1A).
2. Coloque el manillar (B) en el eje a unos **6.0" to 7.87"** (160-200mm) del acelerador y apriete los 2 tornillos (C) y tuercas (D).

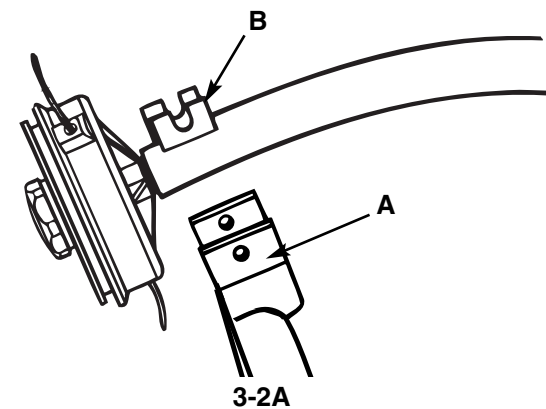


3-2. PROTECTOR DE DESECHOS ADVERTENCIA

El protector de desechos debe instalarse (Figura 3-2A) de tal forma que elimine la línea de la cortadora y proteja al operador.

El protector encaja perfecto en el eje. Puede necesitarse algo de fuerza.

1. Fije el protector (B) en las ménsulas (C) del eje. (Fig. 3-2A)
2. Introduzca el perno (D), la arandela (E), la arandela de seguridad (F) y la tuerca (G) y ajuste firmemente. (Fig. 3-2B)



4 - COMBUSTIBLE Y LUBRICACION

4-1. COMBUSTIBLE

Utilizar gasolina sin plomo de grado regular mezclada con aceite común para motor de 2 ciclos 40:1 para piezas de fábrica auténticas para mejores resultados. Utilizar las relaciones de mezcla de la sección 5-3.

G Nunca utilizar gasolina pura en la unidad. Esto provocará daños permanentes al motor y anulará la garantía del fabricante para ese producto. No utilizar nunca una mezcla de combustible que haya estado almacenada más de 90 días.

G Si se va a utilizar un lubricante de 2 ciclos que no sea el Custom Lubricant (Lubricante Común) para piezas de fábrica auténticas, este debe ser un aceite de 2 ciclos de primera calidad para motores de 2 ciclos enfriados por medio de aire y mezclados con una relación de 40:1. No use ningún producto de aceite de 2 ciclos con una mezcla recomendada de 100:1. Si la causa del daño al motor es la lubricación insuficiente, se anulará la garantía del fabricante.

4-2. MEZCLA DEL COMBUSTIBLE

Agregue aceite a un recipiente aprobado y posteriormente añada gasolina para permitir que ésta se mezcle con el aceite. Agite el recipiente para garantizar una mezcla perfecta.

G La falta de lubricación invalida la garantía del motor. La gasolina y el aceite deben mezclarse en una proporción de 40:1.

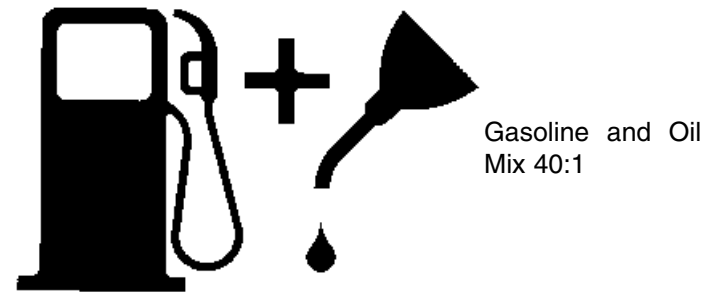
4-3. TABLA DE MEZCLA DEL COMBUSTIBLE

GASOLINA	Lubricante Relación 40:1 de McCulloch	
	1 U.S. Gal.	3.2 oz.
5 Liters	4.3 oz.	125ml (cc)
1 Imp. Gal.	4.3 oz.	125ml (cc)
Procedimiento de Mezcla	40 Partes de Gasolina por 1 Parte de Lubricante	
1ml=1cc		

4-4. COMBUSTIBLE RECOMENDADO

Algunas gasolinas convencionales están siendo mezcladas con oxigenados tales como alcohol o un compuesto de éter para cumplir con las reglas de limpieza del aire. Su motor McCulloch está diseñado para operar satisfactoriamente con cualquier gasolina usada para automóviles incluyendo gasolinas oxigenadas.

4-5. SIMBOLOS DE COMBUSTIBLE LUBRICACION



5 - INSTRUCCIONES DE OPERACION

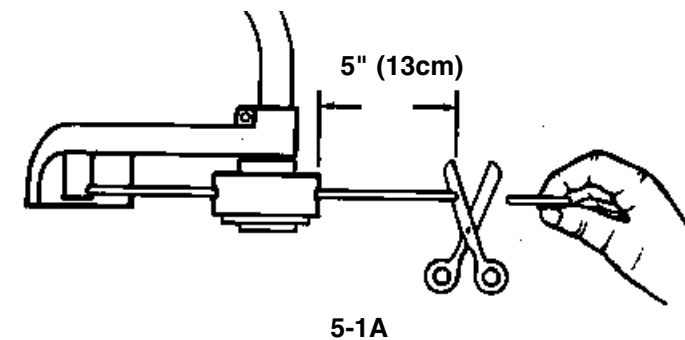
5-1. ARRANQUE DEL MOTOR FRIO

NOTA: Para minimizar la carga del motor durante el arranque y el calentamiento, ajustar la línea excedente de la cortadora a 13cm (5") (Fig. 5-1A).

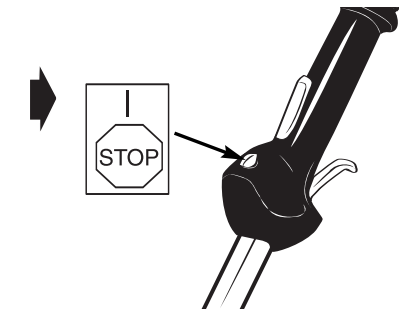
- Colocar el interruptor de ignición en la posición MARCHA "I". (Fig. 5-1B).
- La unidad ha sido diseñada con un estrangulador de 3 posiciones: ESTRANGULAMIENTO COMPLETO "I", ESTRANGULAMIENTO PARCIAL "II", y EJECUCIÓN "III". Desplace la palanca del estrangulador hasta la posición ESTRANGULAMIENTO COMPLETO "I" (Fig. 6-1D).
- Cebe el carburador. Bombeo 10 veces el cebador (A) (Fig. 5-1D).
- Sujetar el manillar con firmeza – presionar el gatillo de seguridad (B) y el gatillo de aceleración (C) hasta la posición de GATILLO A FONDO (Fig. 5-1E).
- Jale la cuerda del mecanismo de arranque un poco hasta que se sienta la resistencia, (aprox. 10.5cm) (Figura 5-1F). Se requiere un jalón rápido y suave para un encendido potente de bujías. Jale la cuerda del mecanismo de arranque energicamente 4 veces.
- Muevo la palanca del ahogador hacia la posición de ARRANQUE "I" (Fig. 5-1F).
- Jale otra vez la cuerda del mecanismo de arranque 4 veces.
- Una vez que el motor haya arrancado, deje el ahogador en la posición de ARRANQUE "I" durante 10 segundos. "I"
- Muevo el ahogador a la posición OPERAR "III" (Fig. 5-1H).
- If engine fails to start, repeat steps 1 through 9.

NOTA: Si el motor no arranca después de varios intentos, consultar la Sección de Detección y Corrección de Fallas.

NOTA: La cuerda del mecanismo de arranque siempre se debe jalar hacia arriba. Si el mecanismo de arranque se jala en ángulo, se provocará que la cuerda haga fricción contra el orillo. Esta fricción hará que la cuerda se desgaste y se rompa con más rapidez. Sostener siempre el mango del mecanismo de arranque cuando la cuerda se contraiga. No dejar nunca que la cuerda se regrese bruscamente de la posición extendida. Esto podría ocasionar que la cuerda se enrede y se desgaste y también puede dañar el ensamble del mecanismo de arranque.



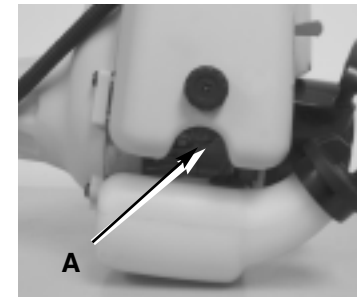
5-1A



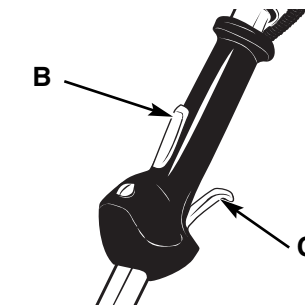
5-1B



5-1C



5-1D



5-1E



5-1F



5-1G

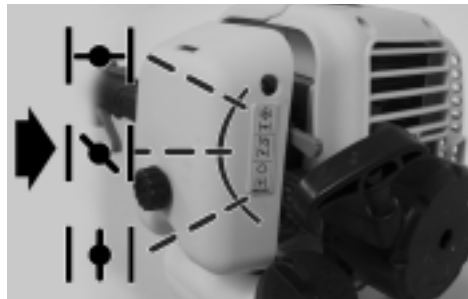


5-1H

5 - INSTRUCCIONES DE OPERACION

5-2. ARRANQUE DEL MOTOR CALIENTE

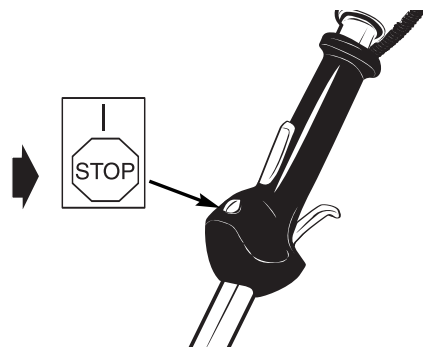
1. Desplace el interruptor de arranque a la posición "EJECUCIÓN (I)".
2. Coloque el estrangulador en posición ARRANQUE "I" (Fig. 5-2).
3. Tomar con firmeza el mango de la aceleración, oprimir el gatillo de aceleración a la posición TOTAL.
4. Jalar la cuerda del mecanismo de arranque con fuerza hasta que arranque el motor, pero no más de 6 veces. Mantener la aceleración en la posición TOTAL hasta que el motor opere suavemente.
5. Si el motor no arranca, colocar el ahogador en la posición CORRER "I" y jalar la cuerda del mecanismo de arranque 5 veces más. Si el motor sigue sin arrancar, quizás está ahogado. Esperar 5 minutos y repetir el procedimiento con el ahogador en la posición de CORRER "I" con la aceleración totalmente abierta.



5-2

5-3. POUR ARRET DU MOTEUR

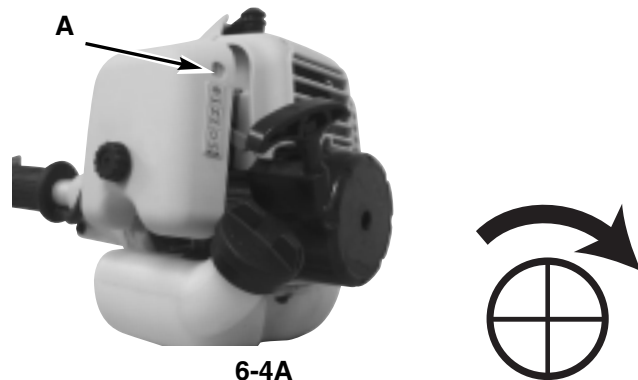
Soltar el gatillo de admisión. Dejar que el motor regrese a la marcha en neutral. Mueva el interruptor de encendido a la posición "STOP" para detener el motor. (Fig. 5-3)



5-1B

5-4. AJUSTE DE RALENTÍ/CARBURADOR

1. Ocasionalmente, debido a condiciones climáticas como la altitud, puede ser necesario rezlizar pequeños ajustes en la velocidad en ralentí.
2. Inserte un destornillador de estrella o plano en el agujero de acceso (figure 5-4A). Gírelo 1/8 de vuelta en el sentido de las agujas del reloj para aumentar la velocidad en ralentí o 1/8 en el sentido contrario a las agujas del reloj para disminuir la velocidad en ralentí.



6-4A

6 - INSTRUCCIONES PARA LA PODA

6-1. PRECAUCIONES ADICIONALES DE SEGURIDAD

Antes de operar su unidad, revisar TODAS LAS PRECAUCIONES DE SEGURIDAD de este manual.

ADVERTENCIA / PRECAUCION

- SI NO ESTA FAMILIARIZADO CON LAS TECNICAS PARA PODAR O CORTAR, practicar los procedimientos con el MOTOR en la posición de "APAGADO".
- ÁREA DE TRABAJO - Despeje el area que va a cortar antes de cada uso. Retire todos los objetos tales como piedras, vidrios rotos, clavos, alambres o cuerdas que puedan ser lanzados o que se puedan enredar en el aditamento de corte. Si se golpea accidentalmente un objeto, APAGUE EL MOTOR inmediatamente y revise el equipo. Nunca opere la unidad con partes del equipo dañadas o defectuosas. Despeje el área de curiosos y mascotas. Mantenga alejados a los niños, los curiosos y las mascotas fuera de un radio de 50 pies (15 m); afuera de una zona de 50 pies (15 m). Se debe sugerir a los curiosos que usen protección.
- SIEMPRE PODAR O CORTAR CON LAS VELOCIDADES ALTAS DEL MOTOR. No operar el motor lentamente en arranque o durante las operaciones de poda.
- NO utilizar el equipo para otros propósitos que no sean el de podar o segar maleza.
- NUNCA levantar la cabeza de hilo sobre la altura de la rodilla durante la operación.
- NO opere la unidad con otras personas o animales en la vecindad inmediata. Deje una distancia de 100 pies (30 m) entre el operador y otras personas y animales cuando PODE con una cortadora de cabezote de cuerda.
- SI OPERA LA UNIDAD EN UNA PENDIENTE, parese debajo del aditamento de corte. NO OPERE LA UNIDAD en una pendiente o ladera si existe la más mínima posibilidad de resbalarse o perder el equilibrio.
- SI ALGUIEN SE ACERCA, páre el motor y el aditamento de corte. En el caso de las unidades de cuchilla, existe el riesgo adicional de lesión a los curiosos al ser golpeados por la cuchilla en movimiento en caso de que ésta sea lanzada o por otra reacción inesperada de la sierra.
- CONTROL DE LA UNIDAD - El aditamento de corte debe estar girando durante los ajustes del carburador. Use su equipo de protección y siga todas las instrucciones de seguridad. Para las unidades equipadas de embrague, asegúrese de que el aditamento de corte se detenga cuando el motor funciona en vacío. Cuando apague la unidad, asegúrese de que el aditamento de corte haya parado antes de guardar la unidad.

6-2. LIBERACION DE LA LINEA DE LA CABEZA DE HILO

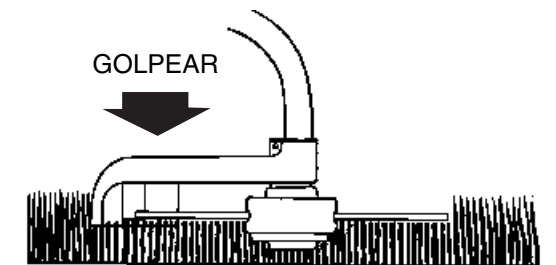
ADVERTENCIA / PRECAUCION

NO utilizar alambre de acero ni alambre de acero recubierto con plástico de ninguna clase con su cabeza de hilo. Se pueden provocar serias heridas al operador.

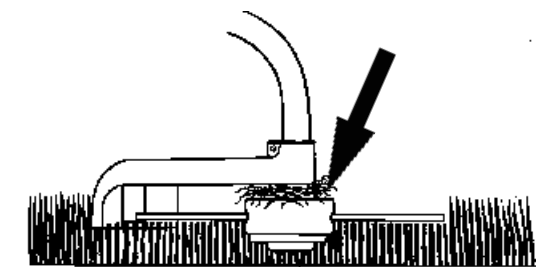
Para liberar la línea nueva, operar el motor en aceleración total y "golpear" la cabeza de hilo contra el césped. La línea se liberará en forma automática. La cuchilla del protector de desechos cortará la línea excedente (Figura 6-2A).

PRECAUCION

Asegúrese de que el motor está apagado y de que el cabezal de la cuerda ha dejado de girar antes de intentar realizar esto. Quite la capa de desechos periódicamente para prevenir el recalentamiento del eje del motor. La capa de desechos se acumula cuando la hierba se engancha alrededor del eje, bajo el blindaje contra desechos (Figura 6-2B). Esta situación impide que se enfríe el eje adecuadamente. Elimine la capa de desechos con un destornillador o algo similar.



6-2A



6-2B

6-3. PROCEDIMIENTOS DE PODA

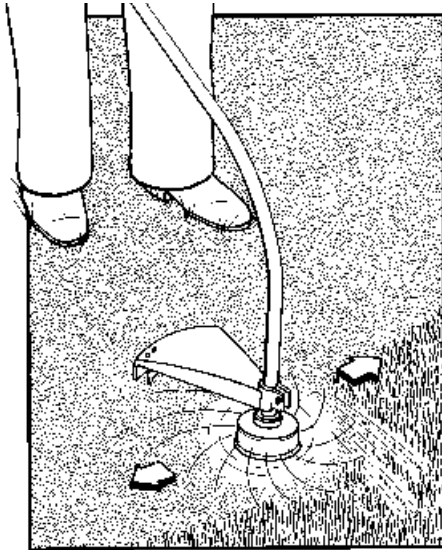
Cuando está equipada en forma adecuada con un protector de desechos y una cabeza de hilo, la unidad podará maleza de aspecto desagradable y el césped largo en las áreas difíciles de alcanzar, a lo largo de bardas, paredes, cimientos y alrededor de árboles. También se usa para cortar de raíz y sacar la vegetación de la tierra para una preparación más fácil del jardín o para limpiar un área en particular.

NOTA: Incluso haciéndolo con cuidado, la poda alrededor de cimientos, paredes de piedra o ladrillos, curvas, etc. provocará un desgaste en las cuerdas fuera de lo normal.

6 - INSTRUCCIONES PARA LA PODA

PODAR / SEGAR

Balancear la recortadora con un movimiento en forma de hoz de lado a lado. No inclinar la cabeza de hilo durante el procedimiento. Probar el área que se va a podar para la altura adecuada del corte. Mantener la cabeza de hilo al mismo nivel para una profundidad nivelada del corte (Figura 6-3A).



6-3A

PODA MAS MINUCIOSA

Colocar la recortadora hacia adelante con una ligera inclinación de tal forma que la parte inferior de la cabeza de hilo se encuentre sobre el terreno y el contacto de la cabeza se dé en un punto adecuado del corte. Cortar siempre lejos del operador. No jalar la recortadora hacia el operador.

PODA EN BARDAS / CIMIENTOS

Acercar la recortadora alrededor de las bardas con eslabones de cadena, bardas de estacas, paredes de piedra y cimientos poco a poco para cortar lo más posible sin golpear la cabeza de hilo contra la barrera. Si hace contacto con piedras, paredes de ladrillo, o cimientos se romperá o se desgastará. El hilo se romperá si se rasga con la barda.

PODA ALREDEDOR DE ARBOLES

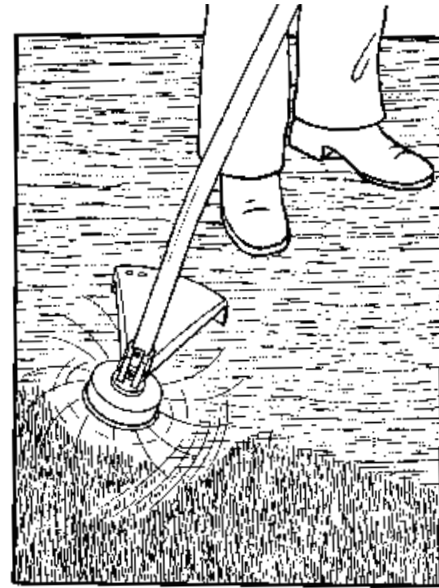
Podar alrededor de los troncos de los árboles con un ligero acercamiento de tal forma que el hilo no haga contacto con la corteza del árbol. Avanzar alrededor del árbol podando de izquierda a derecha. Acercarse al césped o maleza con la punta del hilo e incline la cabeza de hilo ligeramente hacia adelante.

ADVERTENCIA

Tener bastante precaución al CORTAR DE RAIZ. Mantener una distancia de 30 metros (100 pies) entre el operador, la gente y los animales durante estas operaciones.

CORTAR DE RAIZ

Cortar de raíz significa eliminar toda la vegetación del terreno. Para hacer esto, se debe inclinar la cabeza de hilo a un ángulo de aproximadamente 30 grados hacia la izquierda. Si se ajusta el manubrio se tendrá un mejor control durante esta operación. No intentar este procedimiento si existe la mínima posibilidad de herir a otras personas o causar daños a la propiedad (Figura 6-3B).



6-3B

ADVERTENCIA

NO BARRER CON LA RECORTADORA

Barrer significa ladear la cabeza de hilo para quitar del camino desechos, etc. La recortadora es una herramienta potente y puede lanzar pequeñas piedras u otros desechos similares a 15 metros (50 pies) o más, provocando heridas o daños a la propiedad cercana como automóviles, casas y ventanas.

7 - INSTRUCCIONES DE MANTENIMIENTO

LISTA DE VERIFICACION DEL MANTENIMIENTO		CADA USO	HORAS DE OPERACION	
PARTE	ACCION		10	20
TORNILLOS / TUERCAS / PERNOS	INSPECCIONAR / APRETAR	✓		
FILTRO DE AIRE	LIMPIAR O REEMPLAZAR		✓	
FILTRO DEL COMBUSTIBLE	REEMPLAZAR			✓
BUJIA DE ENCENDIDO	LIMPIAR / AJUSTAR / REEMPLAZAR		✓	
PANTALLA DEL PARACHISPAS	LIMPIAR O REEMPLAZAR	✓		
MANGUERAS DE COMBUSTIBLE	INSPECCIONAR	✓		
	*REEMPLAZAR SEGUN SE REQUIERA			
CABEZA DE HILO	INSPECCIONAR	✓		
	*REEMPLAZAR SEGUN SE REQUIERA			

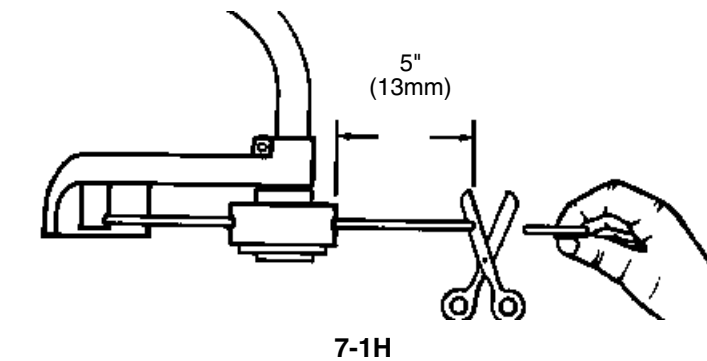
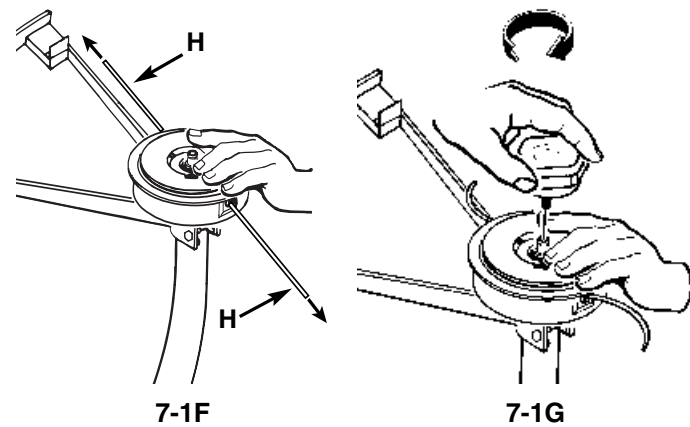
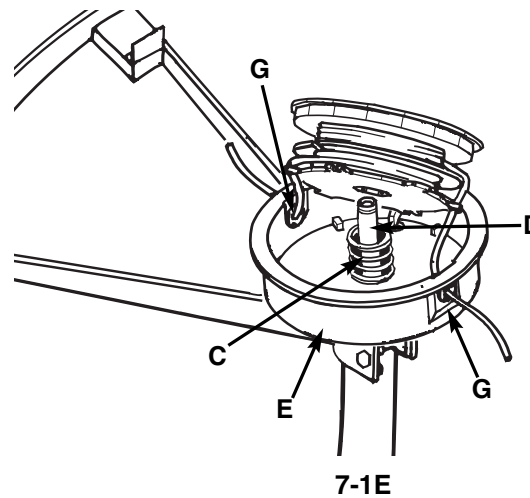
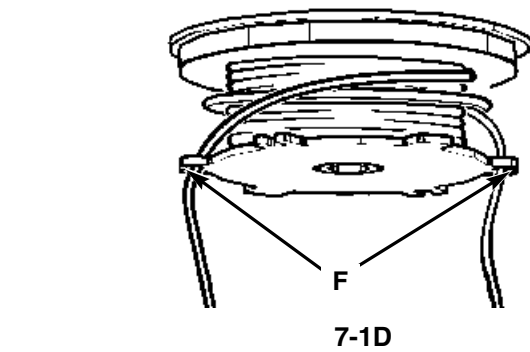
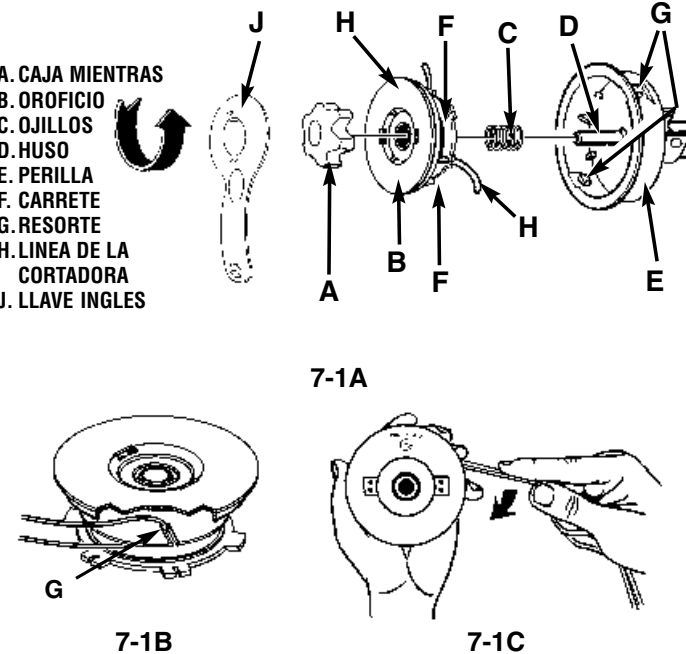
*Se recomienda que su mantenimiento sea realizado por un centro de servicio autorizado que use auténticos recambios originales.

7 - INSTRUCCIONES DE MANTENIMIENTO

7-1. REEMPLAZO DE LA LINEA DE LA CORTADORA

1. Girar la perilla (A) en sentido CONTRARIO DE LAS MANECILLAS DEL RELOJ y sacarla (Figura 7-1A).
2. Retire el carrete (B) y el resorte (C) del huso (D).
3. Quitar la línea restante de la cortadora (H).
4. Doblar 4.3m (14') de longitud de la línea de la cortadora de .24 ó .20cm (.095" ó .080"). Coloque el centro de lazo en una ranuras (G) del separador del carrete (Figura 7-1B).
5. Enrolle en dirección de las como se muestra en la ilustración (Figura 7-1C), y manteniendo la tensión, con cada una de las mitades separada por el separador del carrete. Enrolle unas 15cm (6") de los extremos.
6. Asegurar cada extremo de la línea dentro del orificio (F) en los lados opuestos del carrete (Figura 7-1D).
7. Instalar el resorte (C) sobre el husillo (D). Insertar cada extremo de la línea a través de uno de los ojillos (G) de la caja (E) (Figure 7-1E).
8. Bajar el carrete (E) de la caja mientras se alimenta la línea a través de los ojillos (G). Asegurarse de que el resorte se coloque por sí mismo dentro del carrete (Figura 7-1E).
9. Una vez que el carrete esté en su lugar, aplicar presión sobre el carrete comprimiendo el resorte. Jalar cada extremo de la línea (H) con fuerza para sacarlos de los orificios (Figura 7-1F).
10. Continuar aplicando presión en el carrete hasta que la perilla pueda roscarse en en sentido DE LAS MANECILLAS DEL RELOJ dentro del husillo. Apretar bien la perilla únicamente con la mano (Figura 7-1G).
11. Cortar la línea excedente a aproximadamente 13cm (5"). Esto minimizará la carga en el motor durante el arranque y el calentamiento (Figura 7-1H).

A. CAJA MIENTRAS
B. OROFICIO
C. OJILLOS
D. HUSO
E. PERILLA
F. CARRETE
G. RESORTE
H. LINEA DE LA CORTADORA
J. LLAVE INGLES



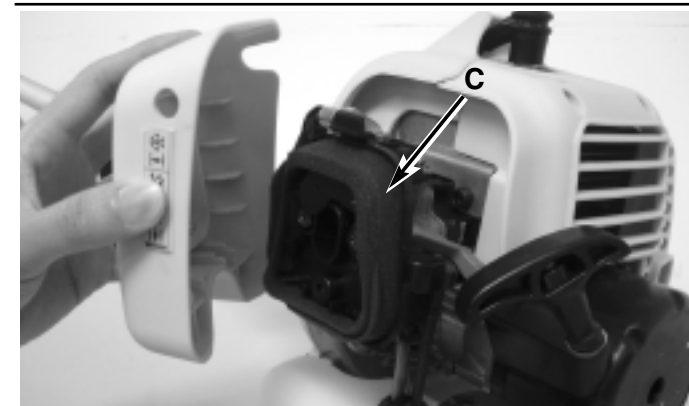
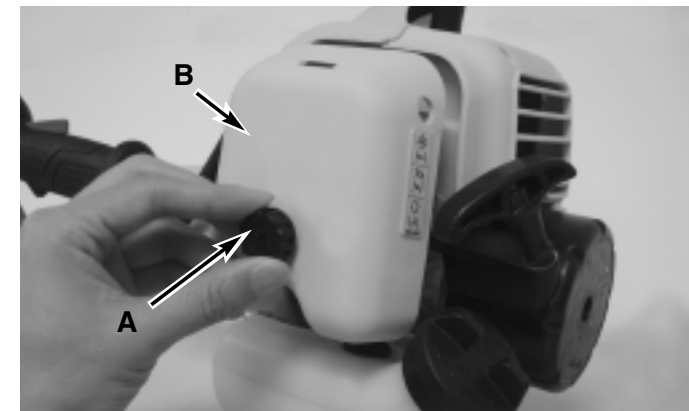
7-2. FILTRO DE AIRE PRECAUCION

NUNCA opere la recortadora sin el filtro de aire. El filtro de aire debe siempre mantenerse limpio. Si se daña, instale un filtro nuevo.

Para Limpiar el Filtro de Aire:

1. Retire perilla (A) que sostienen la cubierta del filtro de aire en su lugar y quite la cubierta (B) y levante el filtro (C) de la caja de aire (Figura 7-2A).
2. Lave el filtro con agua y jabón. ¡NO USE GASOLINA!
3. Seque el filtro al aire.
4. Reinstale el filtro.

NOTA: Reemplace el filtro si está roto, desgastado, dañado o incapaz de limpiarse.



7-2A

7-3. TAPA DE COMBUSTIBLE / FILTRO DE COMBUSTIBLE PRECAUCION

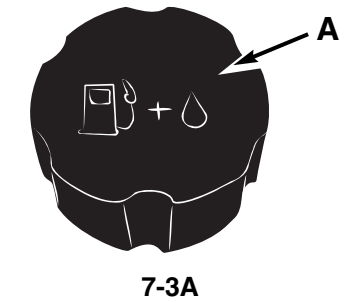
Vaciar el combustible de la unidad y almacenarlo en un recipiente aprobado antes de iniciar este procedimiento. Abrir la tapa del combustible poco a poco para liberar cualquier presión que se pudiera haber formado en el tanque del combustible.

NOTA: Mantenga el conducto de ventilación en la tapa del combustible, limpio y libre de obstrucciones (Figura 7-3A).

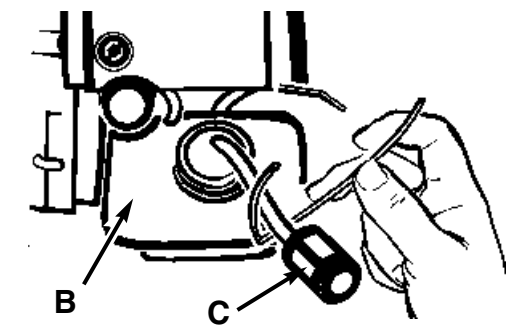
Filtro de Combustible:

1. Retire completamente la tapa del tanque de combustible (B) para poder retirar el filtro de combustible (C) del tanque (Figura 7-3B).
2. Quite el filtro (D) tirando de él con un movimiento giratorio. (Figura 7-3C)
3. Reemplazar el filtro del combustible (D). (Figura 7-3C)

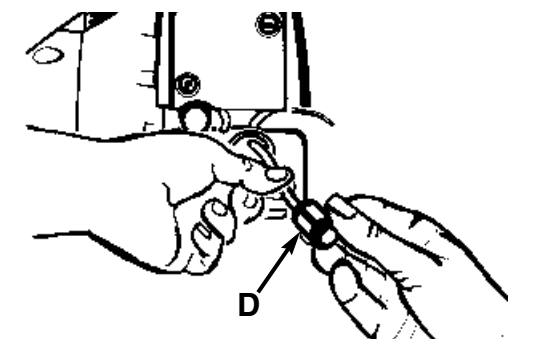
ⓐ NOTA: Nunca operar la recortadora sin el filtro del combustible. ¡Se podrían provocar daños internos al motor!



7-3A



7-3B



7-3C

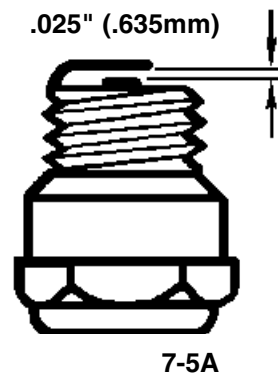
7 - INSTRUCCIONES DE MANTENIMIENTO

7-4. AJUSTE DEL CARBURADOR

El carburador fué pre-ajustado en la fabrica para un desempeño óptimo. A excepcion del ajuste en vacío, como se indica en la sección 5-4, Información importante sobre la operación en vacío.

7-5. BUJIA

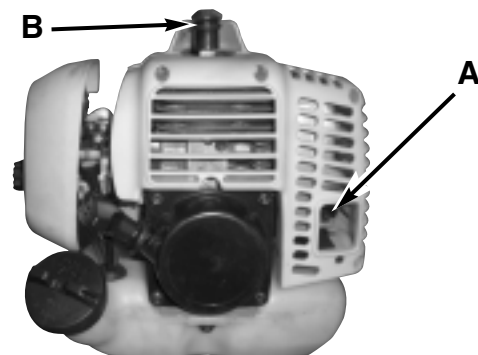
1. Para eliminar la bujía B (Figura 7-6A) para su limpieza o reemplazo: asegúrese de que el motor está apagado y de que la bujía está fría y luego sujete la cubierta de la bujía firmemente y quite la bujía usando una herramienta adecuada. Inspecciónela, límpiela o replácela cuando sea necesario.
2. Abertura de bujía = .635mm (.025") (Figura 7-5A).
3. Ajústela de 105 a 130 libras de torque por pulgada (12 a 15 N•m). Conecte la cubierta de la bujía.
4. En caso de necesidad, sustituya por el campeón RZ7C o el equivalente.



7-5A

7-6. PARACHISPAS

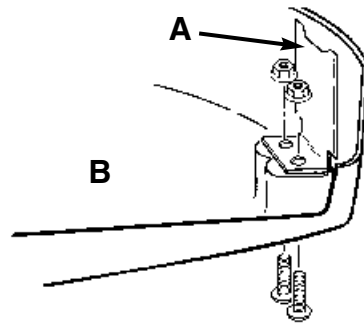
1. Para cambiar la pantalla detenedora de chispas (A) (Fig. 7-6A), usa un aplicate de punta para pellizcar un margen de la pantalla detenedora de chispas. Tira la entera pantalla detenedora de chispas para afuera.
2. Usa el aplicate de punta para empujar una nueva pantalla detenedora de chispas para luego abrir el alicate un poco para presionar la superficie interior de la pantalla detenedora de chispas para asegurarla.



7-6A

7-7. AFILADO DE LA NAVAJA DEL PROTECTOR DE DESECHOS

1. Desmontar la navaja de la cortadora (A) del protector de desechos (B) (Figura 7-7A).
2. Colocar la navaja en una prensa de tornillo. Afilar la cuchilla utilizando una lima plana, asegurándose de mantener el ángulo del borde del corte. Afilar sólo en una dirección.



7-7A

7-8. ALMACENANDO UNA UNIDAD

G Si no sigue éstos pasos puede causar que se acumule sarro en el carburador y ocasionar encendido difícil o daño permanente a su unidad despues del almacenaje.

1. Realice todo el mantenimiento general recomendado en la Sección de Mantenimiento de su Manual del Usuario.
2. Limpie el exterior del motor, ensamble del mango impulsor, el protector de desechos y la cabeza de hilo.
3. Extraiga todo el combustible del tanque.
4. Después de drenar el combustible, encienda el motor.
5. Trabaje el motor en neutral hasta que se apague. Esto purgará el carburador de combustible.
6. Deje que el motor se enfríe, (aprox. 5 minutos).
7. Usando una llave para bujías, quite la bujía.
8. Vacíe 1 cucharadita de aceite limpio de 2 ciclos en la cámara de combustión. Jale el hilo de arranque lentamente varias veces para cubrir los componentes internos. Reemplace la bujía.
9. Almacene la unidad en un lugar fresco, seco y lejos de cualquier fuente de encendido tal como quemador de aceite, calentador de agua etc.

7-9. RETIRANDO UNA UNIDAD EL ALMACENAJE

1. Quite la bujía.
2. Jale el hilo de arranque rápidamente para aclarar el exceso de aceite de la cámara de combustión.
3. Limpie y calibre la bujía, o instale una nueva con calibración adecuada.
4. Prepare la unidad para operación.
5. Llene el tanque de combustible con la mezcla correcta de aceite y combustible. Vea la Sección de Combustible y Lubricación.

8 - DETECCION y CORRECCION DE FALLAS DEL MOTOR

PROBLEMA	CAUSA PROBABLE	ACCION CORRECTIVA
La unidad no arranca o arranca pero no opera.	Procedimientos incorrecte de arranque.	Seguir las instrucciones del Manual del Usuario.
	Fijacion incorrecta del ajuste de la mezcla del carburador.	Sii usted necesita ajustar el carburador debe llevarlo a un McCulloch Centro de Servicio Autorizado.
	Bujía de encendido sucia.	Limpiar / separar o reemplazar la bujía.
	Filtro obstruido del combustible.	Reemplazar el filtro del combustible.
La unidad arranca, pero el motor tiene poca potencia.	Posición incorrecta de la palanca del ahogador.	Mover a la posición RUN (MARCHA).
	Pantalla sucia del parachispas.	Reemplazar la pantalla del parachispas.
	Filtro de aire sucio.	Desmonter, limpiar y volver a instalar el filtro.
	Fijación incorrecta del ajuste de la mezcla del carburador.	Sii usted necesita ajustar el carburador debe llevarlo a un McCulloch Centro de Servicio Autorizado.
El motor titubea.	Fijación incorrecta del ajuste de la mezcla del carburador.	Sii usted necesita ajustar el carburador debe llevarlo a un McCulloch Centro de Servicio Autorizado.
No hay potencia con carga.		
Opera en forma errática.	Bujía de encendido mal dividia.	Limpiar / separar o reemplazar la bujía.
Genera humo excesivo.	Fijación incorrecta del ajuste de la mezcla del carburador.	Sii usted necesita ajustar el carburador debe llevarlo a un McCulloch Centro de Servicio Autorizado.
	Mezcla incorrecta del combustible.	Utilizer combustible mezclado en fomral adecuada (mezcla 40:1).

9 - DETECCIÓN y CORRECCION DE FALLAS DE LA CEBAZA DE HILO

PROBLEMA	CAUSA PROBABLE	ACCION CORRECTIVA
La línea no alimenta.	La línea está enredada dentro de la cabeza de hilo.	Desmontar el carrete de la unidad: desensamblar (consultar la Sección 7-1). Desenredar la línea y enrollarla correctamente en la dirección indicada en el carrete.
	Después de desmontar el carrete, la línea parece estar mezclada entre si.	Recortar la línea dañada y volver a enrollar la línea (consultar Sección 7-1).
	La línea está enrollada en la dirección equivocada dentro de la cabeza de hilo.	Desmontar el carrete. Revisar para asegurarse de que la línea esté enrollada en la dirección indicada en el carrete (consultar la Sección 7-1).
	Línea insuficiente dentro de la cabeza de hilo.	Desmontar el carrete (consultar la Sección 8-1) e instalar la línea neuva.
	Daño interno en la cabeza de hilo provocado porque golpea muy duro en el terreno mientras se avanza la línea.	Desensamblar la cabeza de hilo (consulte Sección 7-1) y examinar las partes por si existen daños. Reemplazar las partes o toda la cabeza.
La línea se rompe o se desgasta.	Procedimientos inadecuados de poda, o mala calidad de la línea.	Consulte Procedimientos de Bordeado (ver sección 6-3) o reemplace la cuerda (ver sección 7-1)
No se puede desmontar la perilla de la cabeza de hilo.	La perilla de la cabeza de hilo está apretada en exceso.	Utiliser un compuesto anti-derrapante en las roscas y volver a instalar la perilla APRETANDO CON LA MANO UNICAMENTE.
La cebaza de hilo y el eje están calientes al tacto.	Capa de maleza.	Quitar la capa de maleza (consultar la Sección 6-2).

10 - GARANTÍA LIMITADA DE UN AÑO

1. DURACIÓN

La duración de la garantía de este producto McCulloch es la siguiente: UN (1) AÑO desde la fecha de la compra original sólo cuando se utilice para uso personal, familiar, casero, en granja o rancho, y siempre que no se subarriende o alquile; NOVENTA(90) DÍAS desde la fecha de compra original cuando se utilice para fines comerciales, profesionales, institucionales o de subarriendo. Esta garantía le proporciona derechos legales específicos. También puede proporcionarle otros derechos que varían de estado a estado. MCCULLOCH LLC RENUNCIA A CUALQUIER GARANTÍA IMPLÍCITA UNA VEZ QUE LA FECHA DE EXPIRACIÓN DE LA GARANTÍA EXPRESADA CORRESPONDIENTE HA EXPIRADO.

(Algunos estados no permiten limitaciones en la duración de una garantía implícita, por lo que las limitaciones arriba mencionadas pueden no ser aplicables en su caso).

2. EMISOR DE ESTA GARANTÍA

McCulloch U.S.A 1-800-521-8559
12802 Leffingwell Rd. Santa Fe Springs, CA 90670 USA

3. BENEFICIARIO DE ESTA GARANTÍA

- El comprador del producto McCulloch (a menos que utilice el producto para fines de subarriendo o alquiler).
- Cualquier persona a la que le sea transferida dicho producto legalmente durante la duración de la garantía implícita o escrita aplicable al producto.
- Cualquier otra persona autorizada según los términos establecidos en la garantía o que, según la ley del estado, pueda obligar al emisor de la garantía a aplicarla.
(Las partes arriba mencionadas se denominarán a partir de ahora como "el Usuario").

4. ÁMBITO DE APLICACIÓN DE ESTA GARANTÍA

La garantía se aplica durante la duración especificada sobre problemas derivados de defectos en los materiales o en su fabricación.

5. ASPECTOS NO CUBIERTOS POR ESTA GARANTÍA

- Cualquier daño accidental o derivado que pueda producir fallos o un funcionamiento incorrecto del producto McCulloch. (Algunos estados no permiten la exclusion de dichos daños accidentales o derivados, por lo que dichas limitaciones pueden no ser aplicables en su caso).
- Cualquier fallo derivado de accidentes, uso incorrecto, negligencia o uso indebido del producto según las instrucciones incluidas en el manual de usuario adjunto al producto, o que se produzca como resultado de un mantenimiento incorrecto realizado por un servicio de reparación no autorizado.
- Ajustes ordinarios explicados en el manual de usuario adjunto al producto.
- Cualquier pieza o accesorio no vendido o fabricado por el emisor de la garantía.
- Ajuste anterior a la entrega o ensamblaje de piezas.
- Esta garantía no es aplicable a los accesorios, ajustes o al mantenimiento ordinario del producto especificados en el manual de usuario

6. RESPONSABILIDADES DEL EMISOR DE LA GARANTÍA SEGÚN LAS CONDICIONES DE LA MISMA

- Reparar o sustituir las piezas defectuosas durante la duración de la garantía aplicable sin coste alguno para el usuario
- Garantizar que el taller reparador autorizado recibe el reembolso correspondiente a los gastos de las piezas y mano de obra realizados como resultado de una reparación bajo garantía según lo prescrito en los procedimientos y directrices de la garantía establecida.

7. RESPONSABILIDADES DEL USUARIO SEGÚN LA GARANTÍA

- El usuario se compromete a entregar o enviar el producto McCulloch original protegido por esta garantía al vendedor al que adquirió el producto originalmente o al servicio autorizado más cercano. Es necesario presentar una prueba de compra del producto.
- Los gastos derivados de cualquier envío correrán a cargo del usuario.
- El usuario debe manejar con cuidado el producto cuando vaya a hacerlo funcionar o a almacenarlo, tal y como se especifica en el manual de usuario.

8. PERÍODO DE CUMPLIMIENTO DE LAS OBLIGACIONES DERIVADAS DE LA GARANTÍA POR PARTE DE SU EMISOR

- La reparación de productos bajo garantía se programará según la cantidad de trabajo existente en el servicio de reparación y dependiendo de la disponibilidad de las piezas de recambio.
- Si el periodo de reparación supera los diez (10) días a partir del momento en que el producto fue entregado al servicio de reparación, la garantía se ampliará a los días en los que el producto permanece inútil.
- Si el usuario no estuviera satisfecho con el trabajo del servicio de reparación, tiene la posibilidad de ponerse en contacto con MCCULLOCH LLC a través de el número de teléfono gratuito.