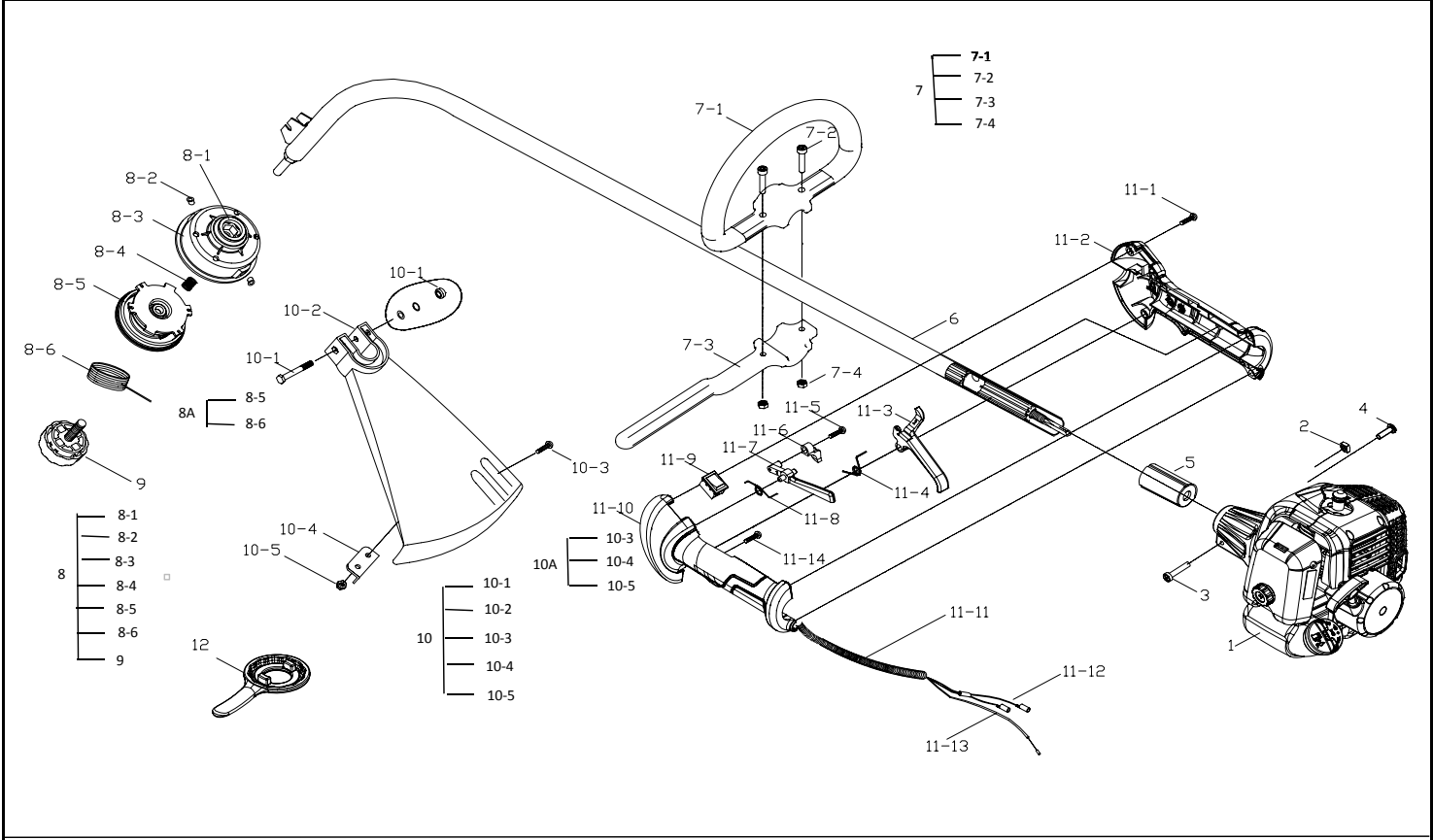




SERVICE SPARE PARTS LIST

SPECIFY MODEL NO. WHEN ORDERING PARTS		DATE	REVISED DATE
26cc String Trimmer		11/19/2007	7/31/2009
MODEL NO.	MCT3362VA		V0



**26cc String Trimmer
MCT3362VA**

PARTS LIST

6/23/2009

No.	Parts No.	Description	Q	P Code
1	9238-336203	ENG ASS'Y	1	190
2	6NDB-05	NUT	1	190
3	9SDABM05-25	SCREW	1	190
4	9SGKBY10/24-0.625	SCREW	1	190
5	9027-332101	BUSHING	1	190
6A	9111-332103	FLEX SHAFT	1	190
6	9228-332116	SHAFT ASS'Y	1	190
7	9228-330336	HANDLE ASS'Y INCL 7-1, 7-2, 7-3, 7-4	1	190
7-1	9068-330306	HOUSING, HANDLE-UPPER	1	190
7-2	9SKKBY10/24-1	SCREW	2	190
7-3	9068-330305	HOUSING, HANDLE-UNDER	1	190
7-4	9NAC-10/24	NUT	2	190
8	9228-A10105	STRINGHEAD ASS'Y INCL 8-1,8-2,8-3,8-4,8-5 8-6, 9	1	190
8-1	9072-A10101	INSERT	1	190
8-2	6140-230701	INLET	2	190
8-3	6064-230701	CUP	1	190
8-4	6024-230701	SPRING	1	190
8A	AO9228-331009-US888	SPOOL LINE ASS'Y INCL 8-5, 8-6	1	190
8-5	6228-230704	SPOOL	1	190
8-6	9194-331101	CUTTING LINE	1	190
9	9228-331011	KNOB ASS'Y	1	190
10	9228-A10110	SHIELD ASS'Y INCL 10-1,10-2,10-3,10-4,10-5	1	190
10-1	9125-3310T1	PARTS BAG	1	190
10-2	9017-A10101	SHIELD	1	190
10A	9125-330302	KNIFE KIT INCL 10-3,10-4,10-5	1	190
10-3	9SKKBY10/24-0.62	SCREW	2	190
10-4	9250-330301	KIT, KNIFE	1	190
10-5	6NGB-10/24	NUT	2	190
11	9228-336218	HANDLE ASS'Y	1	190
11-1	6SDABB04-12	SCREW	4	190
11-2	9068-336202	HOUSING, HANDLE (R)	1	190
11-3	9028-336201	TRIGGER	1	190
11-4	9024-336203	SPRING TRIGGER	1	190
11-5	6SLABB3.5-10	SCREW	1	190
11-6	9176-336201	LATCH CHUNK	1	190
11-7	9176-336202	LATCH SHAFT	1	190

**26cc String Trimmer
MCT3362VA**

PARTS LIST

6/23/2009

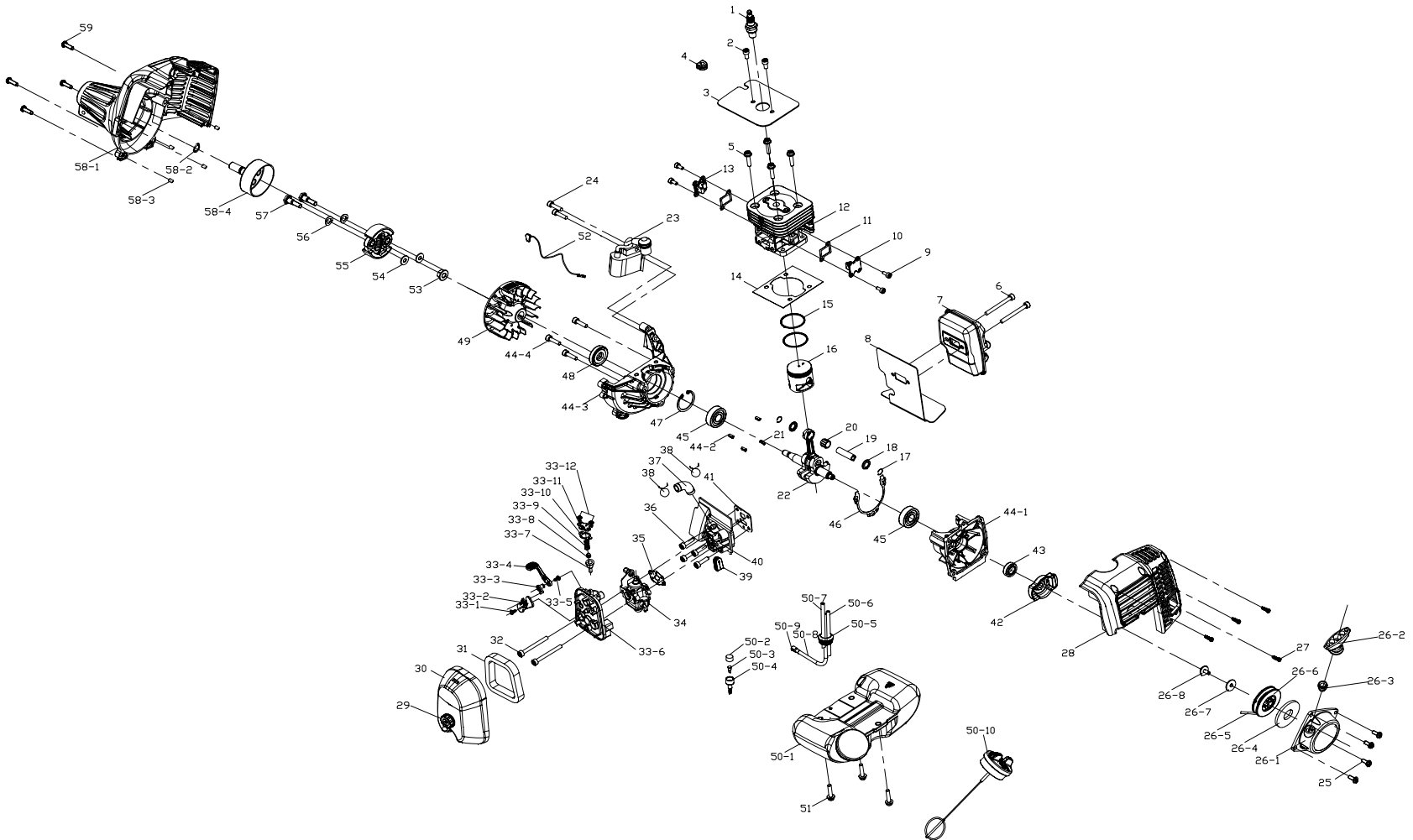
No.	Parts No.	Description	Q	P Code
11-8	9024-336202	SPRING	1	190
11-9	9022-330502	SWITCH	1	190
11-10	9068-336201	HOUSING, HANDLE (L)	1	190
11-11	9059-332101	HOSE	1	190
11-12	9010-332103	WIRE ASS'Y, SWITCH	1	190
11-13	9010-336401	THROTTLE CABLE	1	190
11-14	6SLABB03-06	SCREW	1	190
12	9042-330101	WRENCH	1	190



26cc Engine Ass'y

9238-336203

SPARE PARTS LIST



Engine Ass'y
9238-336203

PARTS LIST

6/23/2009

No.	Parts No.	Description	Q	P Code
1	9295-310502	SPARK PLUG	1	190
2	9SGEB-05-10	SCREW	2	190
3	9211-336202	PLATE(SPARK SIDE)	1	190
4	9012-330301	GROMMET	1	190
5	9SRCB-05-22	SCREW	4	190
6	9SXMBJ05-50	SCREW	2	190
7A	AO9228-336221-US888	MUFFLER KIT INCL 6, 7, 8	1	190
7	9228-336221	MUFFLER ASY	1	190
8	9211-336201	MUFFLER PLATE	1	190
9	9SGEB-04-10	SCREW	4	190
10	9017-336201	CYLINDER COVER	1	190
11	9014-336202	GASKET	2	190
12	9292-336201F	CYLINDER	1	190
13	9017-336206	CYLINDER COVER	1	190
14	9014-336201	GASKET	1	190
15	9189-GP0101	PISTON RING	2	190
16A	AO9228-336231-US888	PISTON ASS'Y INCL 15, 16, 17, 18, 19, 20	1	190
16	9290-336201	PISTON	1	190
17	9131-334501	C CLIP	2	190
18	9067-334501	AXIS COVER	2	190
19	9115-336201	PISTON PIN	1	190
20	9NR-KV9129.8	NEEDLE BEARING	1	190
21	6221-830301	KEY	1	190
22	9228-334502	CRANK/ROD ASY	1	190
23	9288-334701	IGNITION COIL	1	190
24	9SGEB-05-20	SCREW	2	190
25	9SGKB-05-12.5	SCREW	5	190
26	9228-336211	STARTER HOUSING ASY INCL 26-1, 26-2 ,26-3, 26-4, 26-5, 26-6, 26-7, 26-8	1	190
26-1	9017-336208	STARTER HOUSING	1	190
26-2	6068-320002	HANDLE	1	190
26-3	9199-GP0101	BUSHING	1	190
26-4	9024-330503	SPRING	1	190
26-5	9194-330501	PULLEY	1	190
26-6	9299-330501	ROPE	1	190
26-7	9014-MD0106	WASHER	1	190

26-8	9SSKKBB-05-18	SCREW	1	190
27	6SDABB04-16	SCREW	4	190
28	9017-336203	ENGINE COVER (REAR)	1	190
29	9134-334501	SCREW	1	190
30	9017-336210	FILTER COVER	1	190
31	9183-334501	AIR FILTER	1	190
32	9SGEB-05-52	SCREW	2	190
33	9228-336216	AIR BOX / CHOKE ASS'Y INCL 33-1, 33-2, 33-3, 33-4, 33-5, 33-6, 33-7, 33-8, 33-9, 33-10, 33-11, 33-12	1	190
33-1	6SLABB03-10	SCREW	1	190
33-2	9263-336201	CHOKE PLATE	1	190
33-3	9263-336203	CHOKE DRIVER	1	190
33-4	9263-336202	CHOKE LEVEL	1	190
33-5	6SLABB03-10	SCREW	1	190
33-6	9017-336207	FILTER SUPPORT	1	190
33-7	9188-336202	FILTER SHAFT	1	190
33-8	9188-336201	FILTER SPRING BRACKET	1	190
33-9	9024-336204	FILTER SPRING	1	190
33-10	9014-336204	FILTER AIR COVER GASKET	1	190
33-11	9123-336201	FILTER AIR COVER	1	190
33-12	6SLABB03-10	SCREW	2	190
34	9287-336201	CARBURETOR	1	190
35	9014-GP0104	CARBURETOR GASKET	1	190
36	9SKKB-05-19	SCREW	4	190
37	9129-336201	FILTER PIPE	1	190
38	9024-336206	FILTER PIPE CLAMP	2	190
39	9012-334501	GROMMET	1	190
40	9072-336202	INSULATOR	1	190
41	9014-334506	SEAL	1	190
42	9228-MD0107	PAWLS ASY	1	190
43	9157-332101	INSULATOR GASKET	1	190
44	9228-340103	CRANKCASE ASY	1	190
45	9DB-620101	BEARING	2	190
46	9014-334502	GASKET (CRANKCASE SIDE)	1	190
47	9CB-32	C RING	1	190
48	9157-334501	SEAL	1	190
49	9169-336201	FLYWHEEL	1	190
50	9228-334506	FUEL TANK ASY INCL 50-1, 50-2, 50-3, 50-4, 50-5, 50-6, 50-7, 50-8, 50-9, 50-10	1	190
50A	AO9066-GP0201-US888	FILTER ASS'Y INCL 50-2, 50-3, 50-4	1	190

50B	9228-GP0513	HOSE KIT INCL 50-5, 50-6, 50-7, 50-8, 50-9	1	190
50-1	9066-334501	FUEL TANK	1	190
50-2	9252-310002	FILTER	1	190
50-3	9070-310002	VALVE	1	190
50-4	9066-GP0102	VALVE-CAP	1	190
50-5	9012-GP0101	GROMMET	1	190
50-6	9129-334503	VENT-PIPE	1	190
50-7	9129-334502	OUTLET-PIPE	1	190
50-8	9129-334501	INLET-PIPE	1	190
50-9	9182-310101	FILTER	1	190
50-10	9228-334505	FUEL CAP ASY	1	190
51	9SKKBY05-18	SCREW	3	190
52	9010-332102	COIL WIRE	1	190
53	9NHC-08	NUT	1	190
54	9WFB-06-15	WASHER	2	190
55	9176-GP0101	CLUTCH(WITH SPRING)	1	190
56	9WWB-08	WAVE WASHER	2	190
57	9214-GP0101	SCREW	2	190
58	9228-336201	CLUTCH HOUSING ASS'Y INCL 58-1, 58-2, 58-3, 58-4	1	190
58-1	9017-336202	CLUTCH HOUSING	1	190
58-2	6CC-12	C RING	1	190
58-3	9124-334501	COPPER BUSH	4	190
58-4	9294-336401	CLUTCH DRUM	1	190
59	9SKKB-05-16	SCREW	4	190

