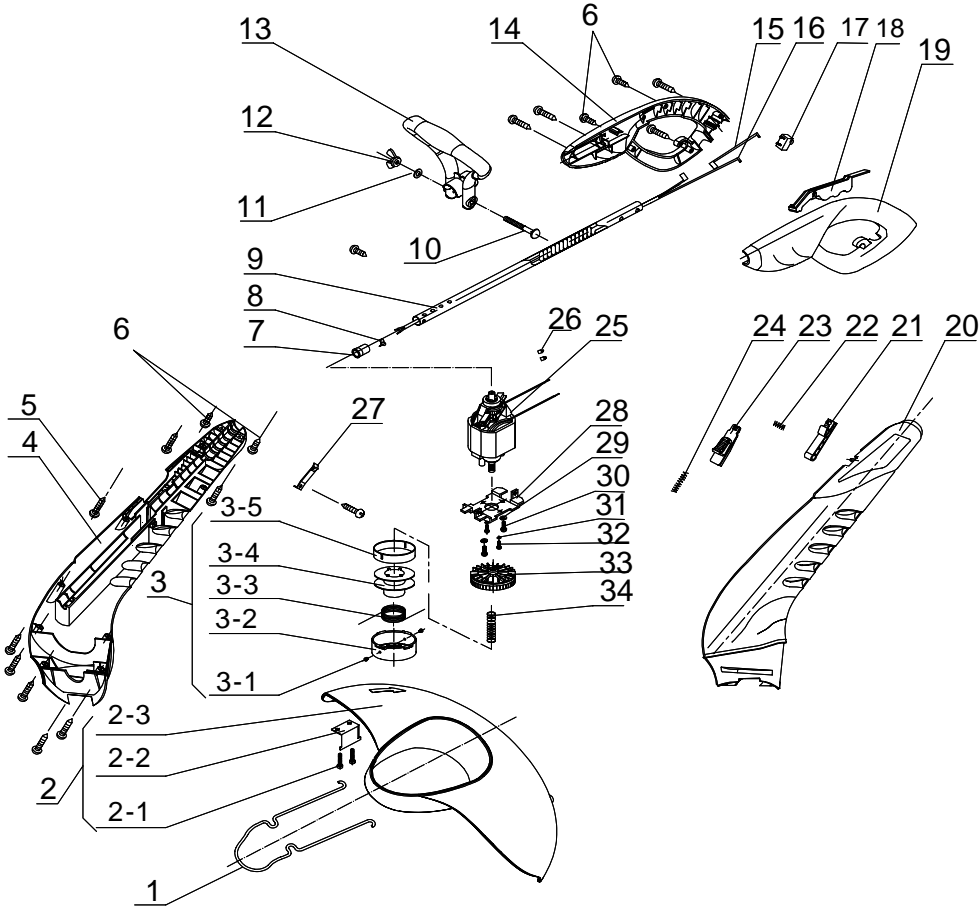




SERVICE SPARE PARTS LIST

SPECIFY MODEL NO. WHEN ORDERING PARTS		DATE	REVISED DATE
12" String Trimmer		2/14/2007	
MODEL NO.	MCT2027		N/A



No.	STK CODE	Parts No.	Description	Q	No.	STK CODE	Parts No.	Description	Q
1		6036-230201	PROJECTIVE GUARD	1	14		6068-202602	UPPER HANDGRIP (R)	1
2		6228-202701	GUARD ASS'Y	1	15		6010-202602	WIRE	1
2-1		6SDABB04-10	SCREW	2	16		6010-202601	WIRE	1
2-2		6250-202503	WIRE CUTTING BLADE	1	17		6022-230001	SWITCH	1
2-3		6262-202701	GUARD	1	18		6028-230002	TRIGGER	1
3		6228-202004A	SPOOL CARRIER ASS'Y	1	19		6068-202601	UPPER HANDGRIP (L)	1
3-1		6140-B23101	PILOT	2	20		6038-202601	HOUSING (L)	1
3-2		6059-202005A	SPOOL COVER	1	21		6021-202602	DETENT	1
3-3		6194-202001	WIRE-CUTTING 9m	1	22		6024-202605	SPRING	1
3-4		6008-202001A	SPOOL CARRIER	1	23		6056-202602	BUTTON	1
3-5		6059-202004	SPOOL COVER	1	24		6024-202603	SPRING	1
4		6038-202602	HOUSING (R)	1	25		6099-202702	MOTOR 120V	1
5		6SDABB04-18	SCREW	15	26		6154-840001	TERMINAL BLOCK	2
6		6SDABB04-14	SCREW	4	27		6024-202601	SPRING	1
7		6017-230101	JACKET	1	28		6072-202601	MOTOR PLATE	1
8		6056-202603	SNAP BUTTON	1	29		6WSB-04	WASHER	2
9		6114-202602	ADJUSTABLE ROD	1	30		6SDAB-04-10	SCREWE	2
10		6SHDB-06-52	SCREW	1	31		6WSB-03	WASHER	2
11		6WFB-06	WASHER	1	32		6SDAE-03-08	SCREW	2
12		6NBB-06	NUT	1	33		6270-202003	CUTTER ASS'Y	1
13		6196-202601	CENTRAL HANDGRIP	1	34		6024-202604	SPRING	1

Stocking Codes are:

A - Dealer stocked

B - Distributor stocked

C - Factory stocked