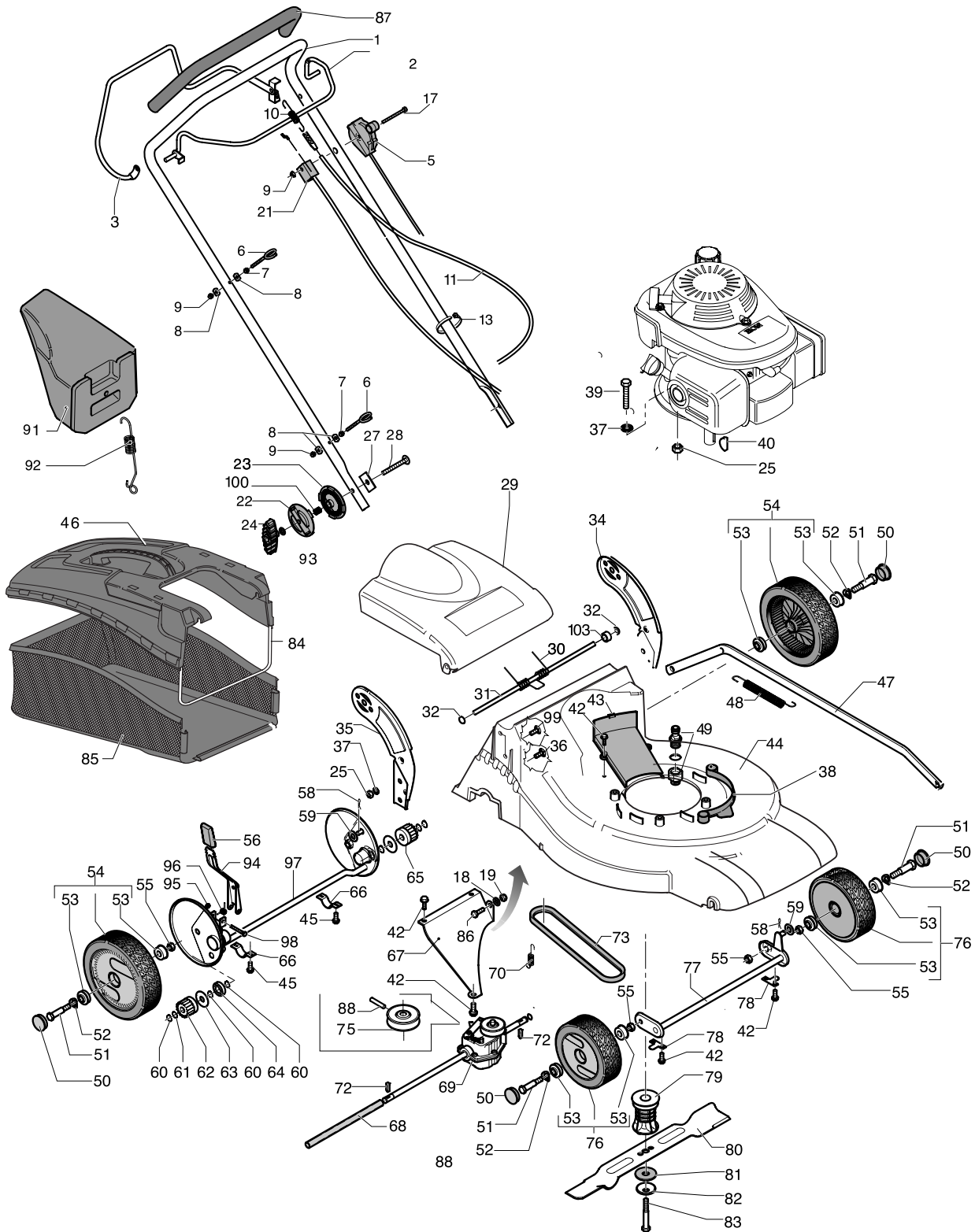


CONSUMER PRODUCT

BRAND	MODEL	PnC
Mc CULLOCH	M 551 CDX	962000024

**Spare parts**  
**Ersatzteile**  
**Pièces détachées**  
**Reserve onderdelen**  
**Repuestos**  
**Reservdelar**



Pos.	PN °	Fct.ry PIn°	DESCRIPTION	Q.ty	Pos	PN °	Fct.ry PIn°	DESCRIPTION	Q.ty
1	531211438	10172333	HANDLE	1	53	531205214	10121900	BALL-BEARING	8
2	531211452	10135891	LEVER-BRAKE	1	54	531210726	9175101	WHEEL	2
3	531205616	10135883	LEVER-CLUTCH	1	55	531207978	20101700	NUT M10	6
5	531205096	10121010	ACCELERATOR	1	56	531207986	20107203	SHEATHING	1
6	531205169	10121470	CABLE-HOOK	2	58	531206653	10281400	COTTER-PIN	2
7	531207165	10501200	NUT M6	2	59	531204906	10069200	WASHER	2
8	531204961	10115900	WASHER	4	60	531208772	20655800	SEEGER	6
9	531205213	10121890	NUT M5	2	61	531208859	20761300	WASHER	2
10	531210573	10177570	SPRING	1	62	531205045	10120160	PINION DX	1
11	531211847	10173110	CABLE- CLUTCH	1	63	531207847	10831200	WASHER	2
17	531206212	10155420	SCREW	1	64	531208778	20657600	BALL-BEARING	2
18	531206666	10284700	WASHER	4	65	531205046	10120170	PINION SX	1
19	531208492	20282100	NUT M5	1	66	531206652	10281200	SUPPORT	2
21	531213434	10173930	BRAKE CABLE	1	67	531213219	10180080	DEFLECTOR	1
22	531211474	10173013	DISCK EX	2	68	531207697	10766503	TUBE	1
23	531211473	10173003	DISCK INT.	2	69	531213408	9180180	GEAR-BOX	1
24	531205840	10141253	KNOB	2	70	531206289	10160070	SPRING	1
25	531207982	20106300	NUT M8	7	72	531205108	10121160	KEY	2
26	531205581	10135600	CLAMP	2	73	531206701	10294900	BELT	1
27	531211581	10173103	PLATE	1	75	531208899	20768203	PULLEY	1
28	531211480	10173060	SCREW M8	2	76	531210613	9122041	WHEEL	2
29	501322304	501322304	DEFLECTOR-yellow-	1	77	531213213	1018006ZC	AXLE	1
30	501322501	501322501	SPRING	1	78	531205536	10135270	SUPPORT	2
31	531213344	10180190	TIE-ROD	1	79	531207848	10831300	BLADE ADAPTER	1
32	531210824	10175400	WASHER	1	80	531206546	10177510	BLADE	1
34	531213807	1018029ZD	SUPPORT	1	81	531207243	10531700	WASHER	1
35	531213808	1017566ZD	SUPPORT	1	82	531207237	10530900	WASHER	1
36	531204921	10114100	SCREW M8 X 25	4	83	531206649	10280901	SCREW 3\8X65	1
37	531207981	20106200	WASHER	10	84	501322401	501322401	GRASS CATCH.FRAME	1
38	531206308	10160273	HOUSING	1	85	531213211	20180043	SAC	1
39	531207107	10407800	SCREW M8 X 60	2	86	531207838	10830300	SCREW TE 5\16	1
39	531205768	10140420	SCREW M8X90	1	87	531205989	10146243	SHEATHING	1
40	531204907	10100900	KEY	1	88	531207703	10768400	COTTER-PIN	1
42	531207856	10831800	SCREW	9	91	531213226	10180153	MULCHING-PLUG	1
43	531213225	10180123	BELT HOUSING	1	92	531205831	10141150	SPRING	1
44	531213791	1018007ZD	DECK-hammer grey-	1	93	531204922	10114200	WASHER	1
45	531207385	10602800	SCREW	4	94	531212364	1017546ZC	LEVER	1
46	501322101	501322101	GRASS CATCH.COVE	1	95	531208492	20282100	NUT M5	1
47	531213222	10180103	ROD	1	96	531210817	10175450	SPRING	1
48	531205715	10140090	SPRING	1	97	531213446	017342ZC/	2AXLE	1
49	531205848	10141313	CONNECTION-COMPL	1	98	531206346	10162910	SCREW	1
50	531210538	10114801	PLUG	4	99	531205741	10140310	SCREW M8 X16	1
51	531205042	10120090	SCREW	4	100	531211476	10173033	SPRING	1
52	531206644	10275100	WASHER	4	103	531211966	10155560	SPACER H10	1