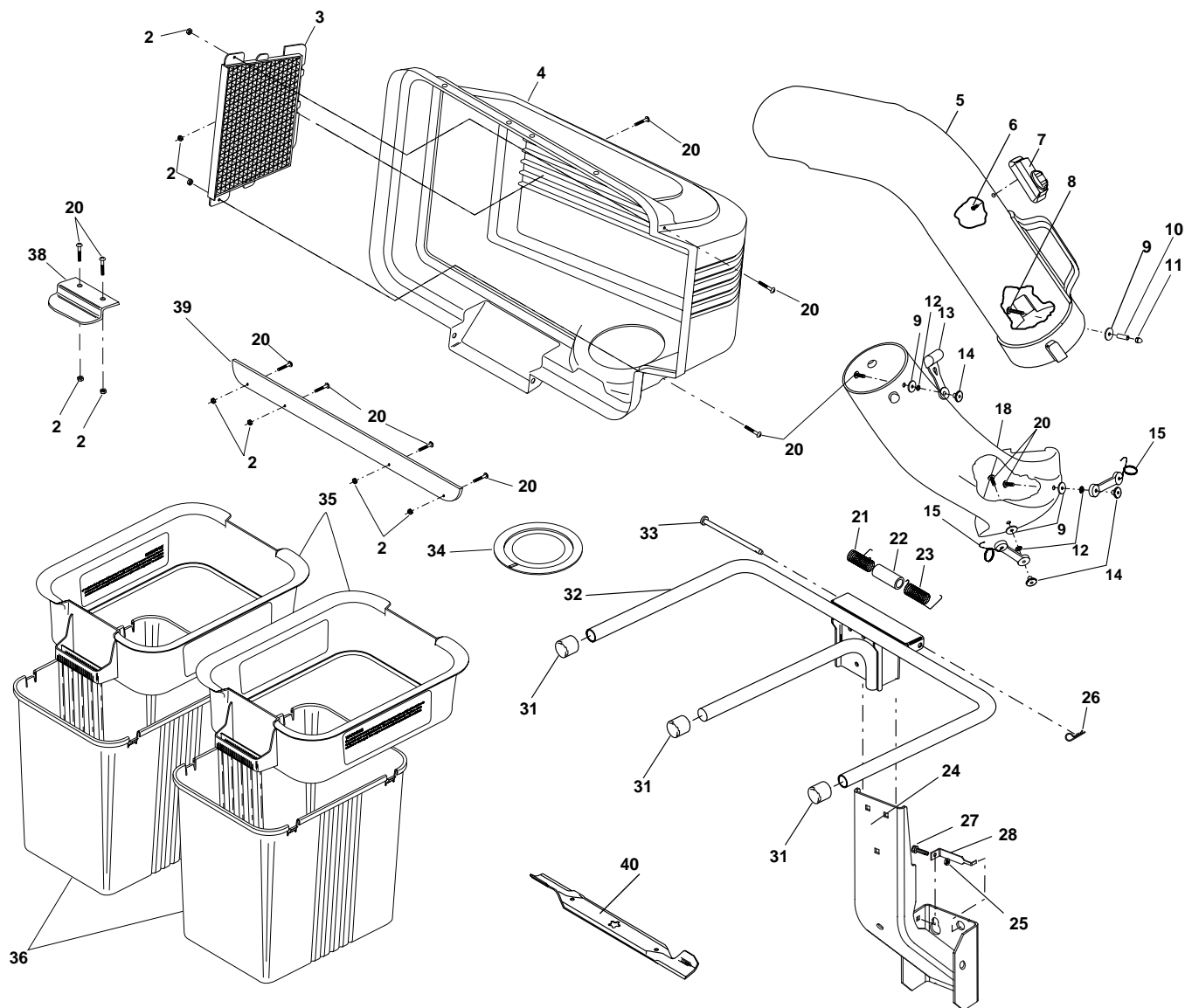


# QCT97 (96071000100)



| KEY NO. | PART NO.     | DESCRIPTION                |
|---------|--------------|----------------------------|
| 2       | 532 06 91-80 | Nut, Crownlock #10-24      |
| 3       | 532 12 75-33 | Screen, Cover              |
| 4       | 532 17 10-61 | Cover Asm.(Incl. 3,38,39)  |
| 5       | 532 12 68-40 | Chute, Upper               |
| 6       | 818 02 10-08 | Screw, Special             |
| 7       | 532 13 09-33 | Full Bag Indicator         |
| 8       | 532 08 71-75 | Screw, #10-24 x 1-1/8      |
| 9       | 819 06 12-16 | Washer 3/16x3/4x16 Ga.     |
| 10      | 532 00 72-06 | Spacer, Split              |
| 11      | 532 06 08-67 | Nut, Acorn #10-24          |
| 12      | 810 07 10-00 | Washer, lock               |
| 13      | 532 10 98-08 | Latch, Chute               |
| 14      | 532 12 50-04 | Nut, Weld                  |
| 15      | 532 16 07-93 | Latch Assembly, Hook       |
| 18      | 532 19 25-74 | Chute, Lower               |
| 20      | 871 08 10-10 | Screw #10-24 x 5/8         |
| 21      | 532 13 27-96 | Spring, Cover L.H. (black) |

| KEY NO. | PART NO.     | DESCRIPTION               |
|---------|--------------|---------------------------|
| 22      | 532 13 32-35 | Spacer, Cover             |
| 23      | 532 13 29-83 | Spring, Cover R.H. (gray) |
| 24      | 532 18 09-23 | Support Assembly          |
| 25      | 873 80 04-00 | Locknut 1/4-20            |
| 26      | 532 12 46-70 | Spring, Retainer          |
| 27      | 872 14 04-05 | Bolt                      |
| 28      | 532 17 97-45 | Bracket, Stop             |
| 31      | 532 17 40-83 | Plug, Tubing End          |
| 32      | 532 17 97-46 | Bagger, Frame             |
| 33      | 532 19 27-86 | Pin, Hinge                |
| 34      | 532 12 75-34 | Gasket, Cover             |
| 35      | 532 18 32-86 | Container, Top            |
| 36      | 532 12 95-86 | Container, Bottom         |
| 38      | 532 13 08-95 | Latch Handle, Cover       |
| 39      | 532 15 50-42 | Strip, Reinforcement      |
| 40      | 532 13 84-97 | Blade, High Lift          |
| —       | 532 19 42-34 | Owner's Manual            |