

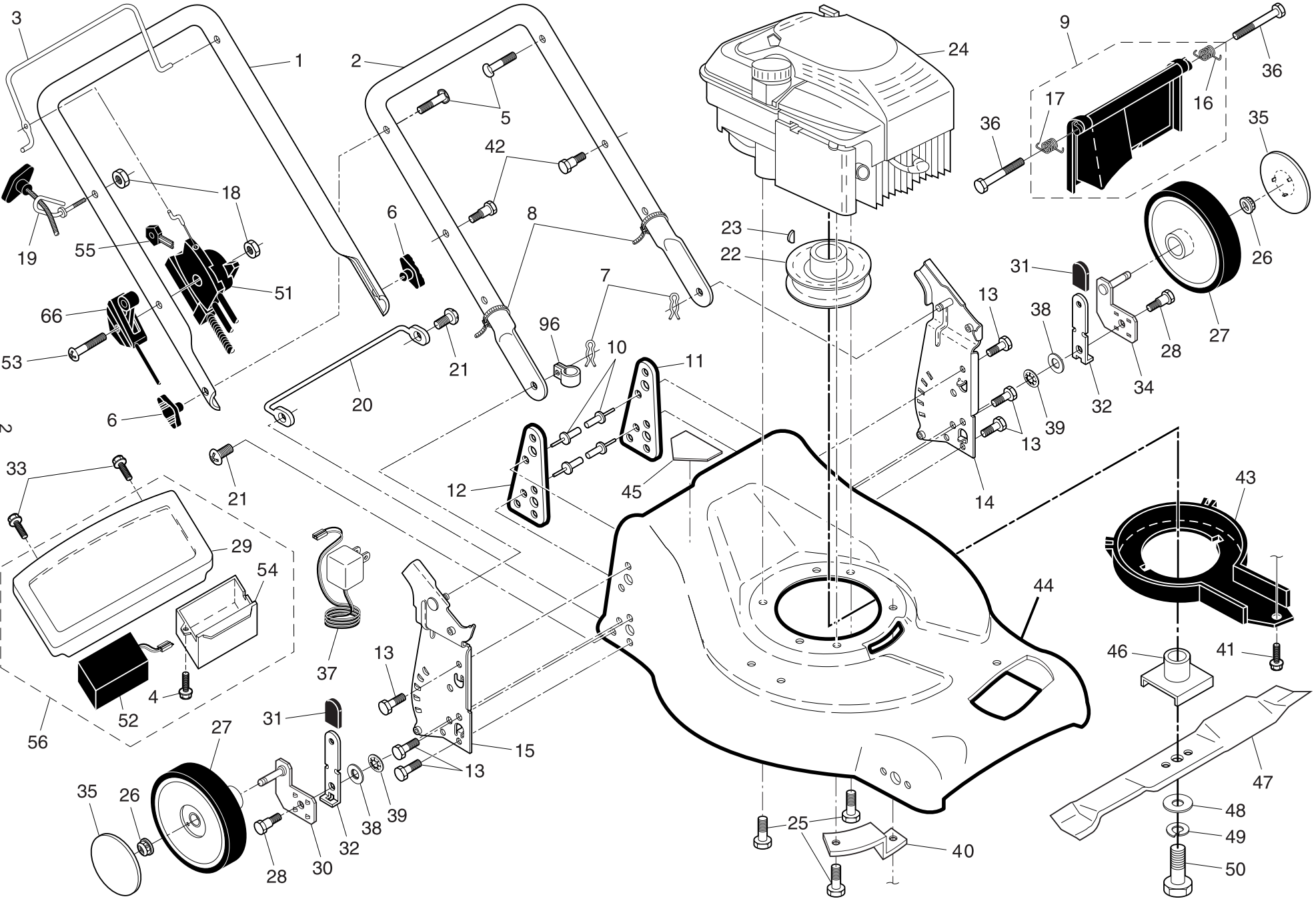
ILLUSTRATED PARTS LIST

CUSTOMER MODEL NUMBER 655ESC

PRODUCT NUMBER 961 41 00-52

MFG. ID. NUMBER 96141005200

ROTARY LAWN MOWER - - CUSTOMER MODEL NUMBER 655ESC (96141005200) PRODUCT NO. 961 41 00-52

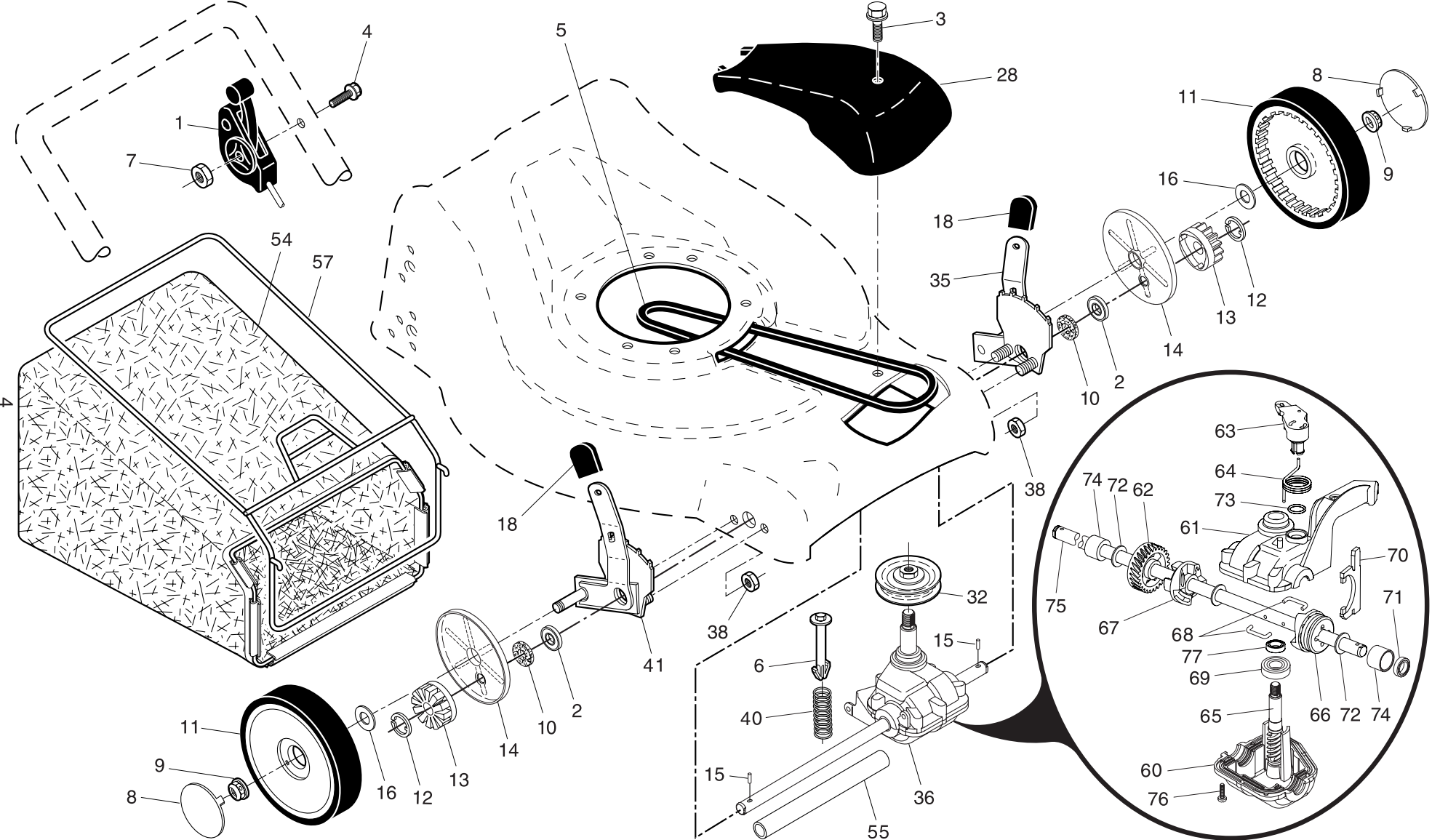


ROTARY LAWN MOWER - - CUSTOMER MODEL NUMBER 655ESC (96141005200) PRODUCT NO. 961 41 00-52

KEY NO.	PART NO.	DESCRIPTION	KEY NO.	PART NO.	DESCRIPTION
1	532 19 25-17	Upper Handle	32	532 19 01-57	Selector Spring
2	532 19 63-49	Lower Handle	33	532 14 18-41	Screw
3	532 14 67-71	Control Bar	34	532 19 54-36	Axle Arm Assembly, Rear, LH
4	817 41 13-08	Screw	35	532 18 06-60	Hubcap
5	532 19 15-74	Handle Bolt	36	532 18 41-93	Bolt
6	532 19 19-38	Handle Knob	37	532 19 24-36	Charger, Battery
7	532 05 17-93	Hairpin Cotter	38	532 17 61-85	Washer, Step
8	532 06 64-26	Wire Tie	39	532 17 62-35	Nut, Push
9	532 18 04-79	Kit, Rear Door (Includes Key Numbers 16 and 17)	40	532 19 09-39	Mounting Bracket, Debris Shield
10	532 12 84-15	Pop Rivet	41	532 19 23-25	Screw
11	532 18 25-38	Support Bracket, LH	42	532 08 38-16	Bolt, Shoulder
12	532 18 25-39	Support Bracket, RH	43	532 18 87-84	Debris Shield
13	817 06 04-10	Screw 1/4-20 x 5/8	44	532 19 48-60	Kit, Lawn Mower Housing (Includes Key Numbers 10, 11, 12 and 45)
14	532 19 01-54	Handle Bracket Assembly, LH	45	532 18 21-66	Danger Decal
15	532 19 01-53	Handle Bracket Assembly, RH	46	532 18 46-32	Blade Adapter
16	532 18 00-71	Spring, Rear Door, LH	47	532 17 50-52	Blade, 21"
17	532 18 00-72	Spring, Rear Door, RH	48	532 85 10-74	Hardened Washer
18	532 13 20-04	Keps Locknut 1/4-20	49	532 85 02-63	Helical Washer 3/8-24 x 1-3/8 Grade 8
19	532 17 95-85	Rope Guide	50	532 85 10-84	Hex Head Machine Screw 3/8-24 x 1-3/8 Grade 8
20	532 17 92-05	Foot Guard	51	532 18 96-86	Control, Combi-Key
21	532 05 48-53	Hinge Screw 1/4-20 x 1-1/4	52	532 18 95-89	Battery
22	532 18 49-41	Pulley, Engine	53	532 14 49-29	Screw
23	532 18 77-23	Key, Hi-Pro	54	532 18 62-37	Box, Battery
24	- - -	Engine, Briggs & Stratton, Model Number 12H805 (order parts from engine manufacturer)	55	532 18 03-31	Key
25	532 15 04-06	Hex Head Thread Rolling Screw 3/8-16 x 1-1/8	56	532 19 12-52	Trimplate, Battery & Battery Box Assembly
26	532 08 39-23	Hex Flange Nut	66	532 18 21-60	Throttle Control
27	532 16 76-28	Wheel & Tire Assembly	96	532 19 27-70	Clip, Cable
28	532 18 93-12	Shoulder Bolt 5/16-18 x .33	--	532 18 21-34	Warning Decal (not shown)
29	532 18 61-53	Trimplate Assembly	--	532 19 68-02	Operator's Manual, European
30	532 19 54-35	Axle Arm Assembly, Rear, RH	--	532 19 68-03	Operator's Manual, Scandinavian
31	532 17 01-43	Selector Knob	--	532 19 68-04	Operator's Manual, East Bloc

NOTE: All component dimensions given in U.S. inches. 1 inch = 25.4 mm. **IMPORTANT:** Use only Original Equipment Manufacturer (O.E.M.) replacement parts. Failure to do so could be hazardous, damage your lawn mower and void your warranty.

ROTARY LAWN MOWER - - CUSTOMER MODEL NUMBER 655ESC (96141005200) PRODUCT NO. 961 41 00-52



ROTARY LAWN MOWER - - CUSTOMER MODEL NUMBER 655ESC (96141005200) PRODUCT NO. 961 41 00-52

KEY NO.	PART NO.	DESCRIPTION	KEY NO.	PART NO.	DESCRIPTION
1	532 18 45-87	Drive Control Assembly (Includes Cable)	41	532 19 51-07	Kit, Wheel Adjuster, RH (Includes Knob and Bearing)
2	532 19 10-39	Bearing, Wheel Adjuster	54	532 19 54-50	Grassbag Assembly
3	532 17 52-62	Pan Head Tapping Screw #10-24 x 2-3/4	55	532 17 57-39	Driveshaft Cover
4	532 15 87-55	Hex Washer Head Screw 1/4-20 x 2.12	57	532 18 88-15	Frame, Grassbag
5	532 17 54-36	V-Belt	60	532 18 34-97	* Case, Lower
6	532 15 04-95	Spring Retainer	61	532 18 34-98	* Case, Upper
7	532 19 17-30	Nut, Hex, Flanged 1/4-20	62	532 18 34-99	Gear, 27 Teeth
8	532 18 06-60	Hubcap	63	532 18 35-00	Lever, Clutch
9	532 14 52-12	Locknut, Hex	64	532 18 35-01	Spring, Return
10	532 08 81-18	Washer, Felt	65	532 18 35-02	Shaft, Input
11	532 18 07-67	Wheel & Tire Assembly	66	532 18 35-03	Dog, Movable
12	812 00 00-58	E-Ring	67	532 18 35-04	Dog, Fixed
13	532 75 00-03	Pinion	68	532 18 35-05	Wire, Formed
14	532 18 94-03	Dust Cover	69	532 18 35-06	Bearing, Ball
15	532 19 10-17	Pawl, Drive	70	532 18 35-07	Fork, Shift
16	532 06 77-25	Washer 1/2 x 1-1/2 x .134	71	532 18 35-08	Seal, Output Shaft
18	532 17 01-43	Selector Knob	72	532 18 35-09	Washer
28	532 18 14-66	Drive Cover	73	532 18 35-10	Seal, Case
32	532 19 41-26	Drive Pulley	74	532 18 35-11	Bushing
35	532 19 51-10	Kit, Wheel Adjuster, LH (Includes Knob and Bearing)	75	532 19 66-13	Shaft, Output
36	532 19 49-35	Gear Case Assembly, Complete	76	532 18 35-13	Screw
38	873 80 04-00	Locknut, Hex 1/4-20	77	532 18 35-14	Seal, Input Shaft
40	532 13 70-90	Spring			

* Use Dow Corning #709 to reseal Gear Case Halves.

NOTE: All component dimensions given in U.S. inches. 1 inch = 25.4 mm. **IMPORTANT:** Use only Original Equipment Manufacturer (O.E.M.) replacement parts. Failure to do so could be hazardous, damage your lawn mower and void your warranty.