

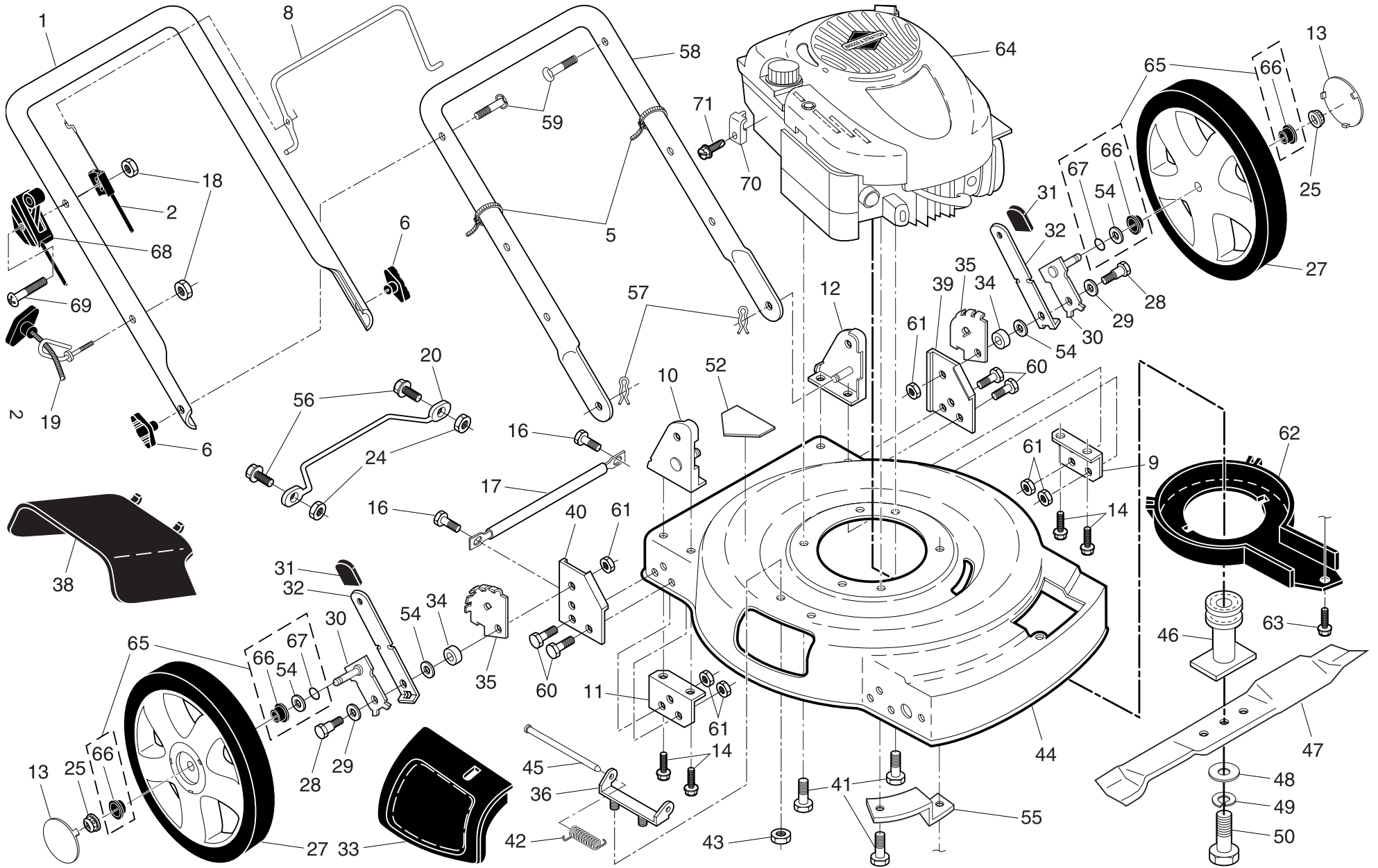
ILLUSTRATED PARTS LIST

MODEL NUMBER M65B56SDK

PRODUCT NUMBER 961 21 00-01

MFG. ID. NUMBER 96121000100

ROTARY LAWN MOWER - - CUSTOMER MODEL NO. M65B56SDK (96121000100) PRODUCT NO. 961 21 00-01



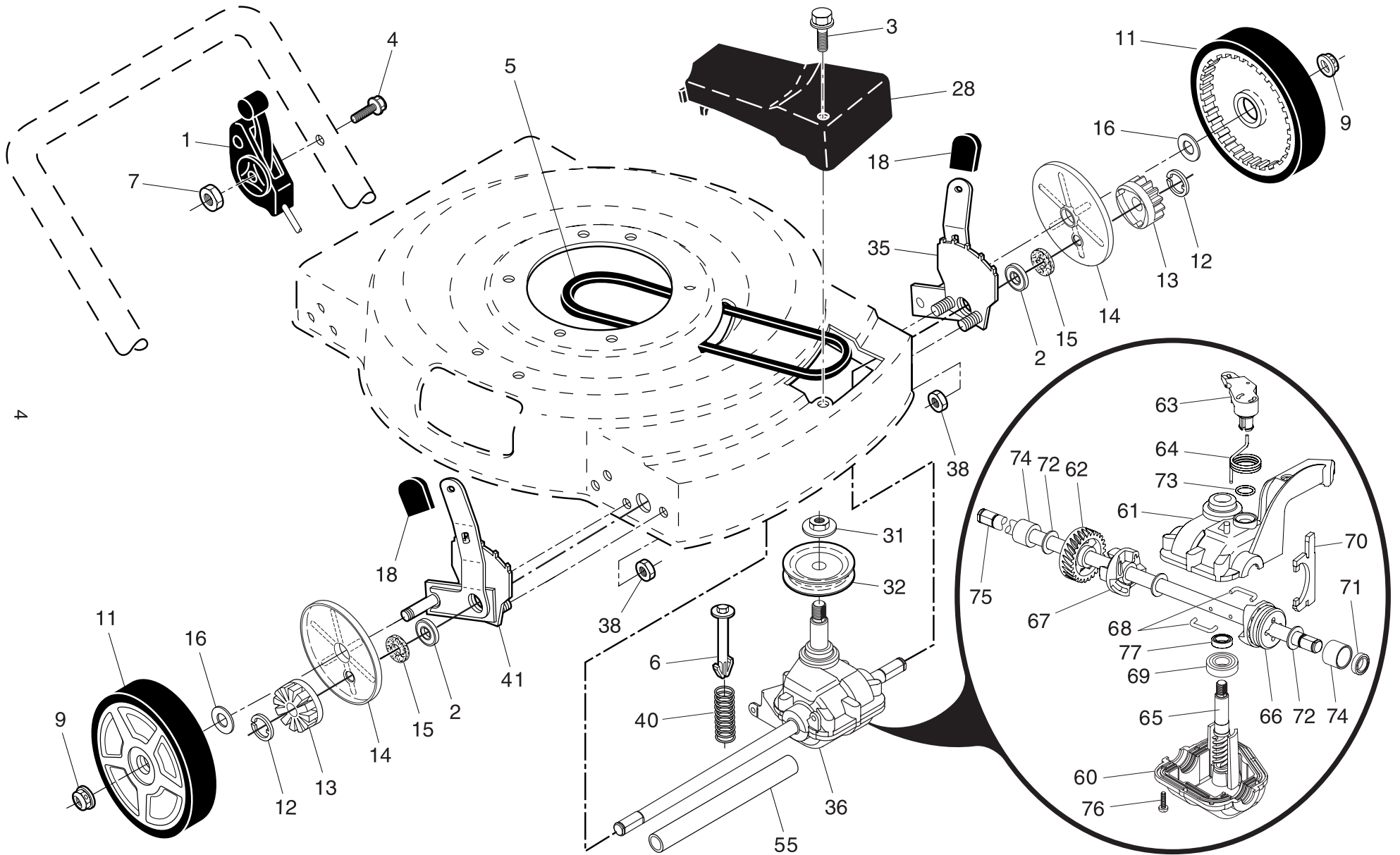
ROTARY LAWN MOWER - - CUSTOMER MODEL NO. M65B56SDK (96121000100) PRODUCT NO. 961 21 00-01

3

| KEY NO. | PART NO. | DESCRIPTION | KEY NO. | PART NO. | DESCRIPTION |
|---------|--------------|--|---------|--------------|---|
| 1 | 532 16 87-30 | Upper Handle | 43 | 873 80 04-00 | Locknut, Hex |
| 2 | 532 14 92-93 | Engine Zone Control Cable | 44 | 532 19 48-42 | Kit, Mower Housing (Includes Key Number 52) |
| 5 | 532 06 64-26 | Wire Tie | 45 | 532 14 72-86 | Rod, Hinge |
| 6 | 532 19 19-38 | Handle Knob | 46 | 532 18 91-79 | Blade Adapter / Pulley |
| 8 | 532 14 67-71 | Control Bar | 47 | 532 19 26-82 | Blade, 22" |
| 9 | 532 19 58-00 | Support Bracket, Handle, LH | 48 | 532 85 10-74 | Washer, Hardened |
| 10 | 532 17 09-75 | Handle Bracket Assembly, RH | 49 | 532 85 02-63 | Washer, Lock, Helical |
| 11 | 532 19 57-99 | Support Bracket, Handle, RH | 50 | 532 85 10-84 | Screw, Hex Head 3/8-24 x 1-3/8 (Grade 8) |
| 12 | 532 17 09-77 | Handle Bracket Assembly, LH | 52 | 532 18 21-66 | Decal, Danger |
| 13 | 532 19 25-19 | Hubcap | 54 | 532 08 83-48 | Washer, Flat 3/8 |
| 14 | 532 14 97-41 | Screw, Thread Cutting 5/16-18 x 3/4 | 55 | 532 19 09-39 | Mounting Bracket, Debris Shield |
| 16 | 532 05 45-83 | Screw, Tapping, Hex Head 1/4-20 x 1/2 | 56 | 532 08 58-25 | Screw, Hex Washer Head #10-24 x 1/2 |
| 17 | 532 17 71-41 | Rod, Support | 57 | 532 05 17-93 | Hairpin Cotter |
| 18 | 532 13 20-04 | Locknut, Keps | 58 | 532 15 50-44 | Lower Handle |
| 19 | 532 17 95-85 | Rope Guide | 59 | 532 19 15-74 | Handle Bolt |
| 20 | 532 15 41-47 | Foot Guard | 60 | 874 76 06-12 | Bolt, Hex Head 3/8-16 x 3/4 |
| 24 | 532 06 91-80 | Nut, Hex | 61 | 532 75 15-92 | Locknut, Hex |
| 25 | 532 08 39-23 | Locknut, Hex 3/18-16 | 62 | 532 18 87-84 | Debris Shield |
| 27 | 532 18 91-61 | Wheel & Tire Assembly, Rear | 63 | 532 19 23-25 | Screw, Debris Shield |
| 28 | 532 14 27-48 | Shoulder Bolt | 64 | - - - | Engine, Briggs & Stratton, Model Number 123K02 (Order parts from engine manufacturer) |
| 29 | 532 06 16-51 | Belleville Washer | 65 | 532 19 34-98 | Kit, Bushing, High Wheel |
| 30 | 532 16 22-33 | Axle Arm Assembly | 66 | 532 19 36-96 | Bushing, Nylon, Black |
| 31 | 532 08 78-77 | Knob, Selector | 67 | 532 18 81-52 | O-Ring |
| 32 | 532 14 17-30 | Spring, Selector | 68 | 532 17 02-94 | Throttle Control |
| 33 | 532 15 18-89 | Discharge Guard | 69 | 532 18 33-65 | Screw |
| 34 | 532 14 66-30 | Spacer | 70 | 532 11 11-90 | Clamp, Cable |
| 35 | 532 13 99-01 | Bracket, Wheel Adjuster | 71 | 532 08 38-16 | Screw |
| 36 | 532 15 41-32 | Bracket, Housing | -- | 532 18 21-34 | Warning Decal (not shown) |
| 38 | 532 17 65-09 | Deflector, Discharge | -- | 532 19 49-07 | Operator's Manual, European |
| 39 | 532 17 80-66 | Support Bracket, LH | | | |
| 40 | 532 17 80-65 | Support Bracket, RH | | | |
| 41 | 532 15 04-06 | Screw, Hex Head, Threaded, Rolled 3/8-16 x 1-1/8 | | | |
| 42 | 532 15 21-24 | Spring, Torsion | | | |

NOTE: All component dimensions given in U.S. inches.
1 inch = 25.4 mm

ROTARY LAWN MOWER - - CUSTOMER MODEL NO. M65B56SDK (96121000100) PRODUCT NO. 961 21 00-01



ROTARY LAWN MOWER - - CUSTOMER MODEL NO. M65B56SDK (96121000100) PRODUCT NO. 961 21 00-01

5

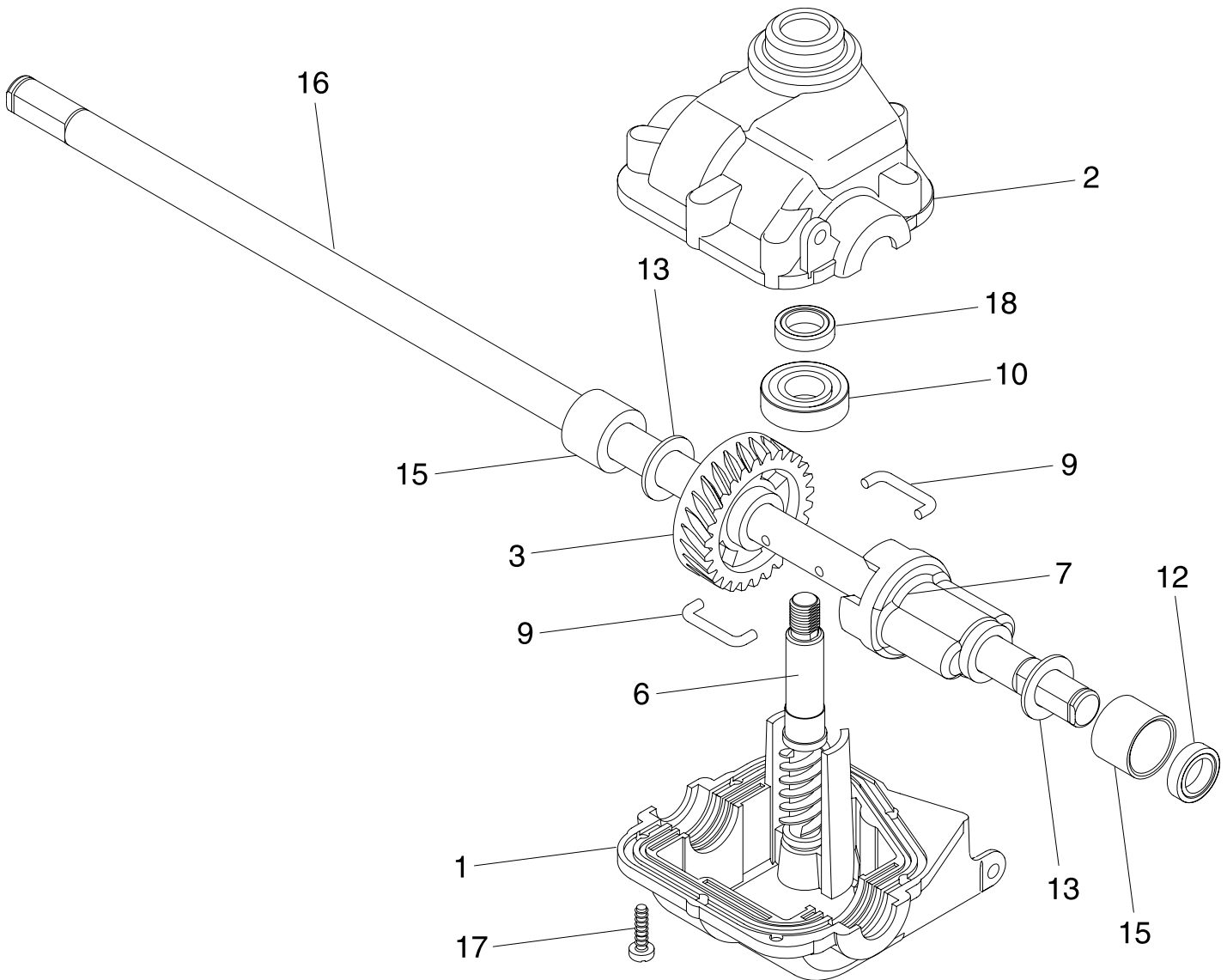
| KEY NO. | PART NO. | DESCRIPTION |
|---------|--------------|--|
| 1 | 532 18 45-87 | Drive Control Assembly, with Cable |
| 2 | 532 08 80-58 | Bearing, Wheel Adjuster |
| 3 | 532 14 36-03 | Screw, Tapping, Pan Head #10-24 x 2-3/4 |
| 4 | 532 15 87-55 | Screw, Machine, Pan Head 1/4-20 x 2-3/16 |
| 5 | 532 14 65-27 | V-Belt |
| 6 | 532 15 04-95 | Bolt, Hex Head 1/4-20 x 2 |
| 7 | 532 19 17-30 | Nut, Hex |
| 8 | 532 16 43-78 | Hubcap |
| 9 | 532 14 52-12 | Locknut |
| 11 | 532 18 07-67 | Wheel & Tire Assembly |
| 12 | 812 00 00-58 | E-Ring |
| 13 | 532 13 70-54 | Pinion |
| 14 | 532 18 94-03 | Dust Cover |
| 16 | 532 06 77-25 | Washer |
| 18 | 532 08 78-77 | Knob, Selector |
| 28 | 532 19 58-11 | Drive Cover |
| 31 | 532 13 20-10 | Locknut, Hex |
| 32 | 532 18 94-07 | Pulley, Drive |
| 35 | 532 15 20-18 | Kit, Wheel Adjuster, LH (Includes Knob and Bearing) |
| 36 | 532 18 72-11 | Gear Case Assembly, Complete |
| 38 | 873 80 04-00 | Locknut, Hex |
| 40 | 532 13 70-90 | Spring |
| 41 | 532 15 20-19 | Kit, Wheel Adjuster, RH (Includes Knob and Bearing) |

| KEY NO. | PART NO. | DESCRIPTION |
|---------|----------------|--------------------|
| 55 | 532 08 60-12 | Drive Shaft Cover |
| 60 | 532 18 34-97 * | Case, Lower |
| 61 | 532 18 34-98 * | Case, Upper |
| 62 | 532 18 34-99 | Gear, 27 Teeth |
| 63 | 532 18 35-00 | Lever, Clutch |
| 64 | 532 18 35-01 | Spring, Return |
| 65 | 532 18 35-02 | Shaft, Input |
| 66 | 532 18 35-03 | Dog, Movable |
| 67 | 532 18 35-04 | Dog, Fixed |
| 68 | 532 18 35-05 | Wire, Formed |
| 69 | 532 18 35-06 | Bearing, Ball |
| 70 | 532 18 35-07 | Fork, Shift |
| 71 | 532 18 35-08 | Seal, Output Shaft |
| 72 | 532 18 35-09 | Washer |
| 73 | 532 18 35-10 | Seal, Case |
| 74 | 532 18 35-11 | Bushing |
| 75 | 532 18 75-21 | Shaft, Output |
| 76 | 532 18 35-13 | Screw |
| 77 | 532 18 35-14 | Seal, Input Shaft |

* Use Dow Corning #709 to reseal Gear Case Halves.

NOTE: All component dimensions given in U.S. inches.
1 inch = 25.4 mm

**ROTARY LAWN MOWER - - CUSTOMER MODEL NO. M65B56SDK
(96121000100) PRODUCT NO. 961 21 00-01
GEARCASE ASSEMBLY - PART NUMBER 532 18 72-12**



| KEY NO. | PART NO. | DESCRIPTION |
|---------|--------------|--------------------|
| 1 | 532 18 75-25 | Case, Lower |
| 2 | 532 18 75-26 | Case, Upper |
| 3 | 532 18 34-99 | Gear, 27 Teeth |
| 6 | 532 18 75-27 | Shaft, Input |
| 7 | 532 18 75-28 | Spacer |
| 9 | 532 18 35-05 | Wire, Formed |
| 10 | 532 18 35-06 | Bearing, Ball |
| 12 | 532 18 35-08 | Seal, Output Shaft |
| 13 | 532 18 35-09 | Washer |
| 15 | 532 18 35-11 | Bushing |
| 16 | 532 18 75-29 | Shaft, Output |
| 17 | 532 18 35-13 | Screw |
| 18 | 532 18 35-14 | Seal, Input Shaft |

NOTE: Use Dow Corning #709 to reseal Gear Case Halves.

NOTE: All component dimensions given in U.S. inches.
1 inch = 25.4 mm