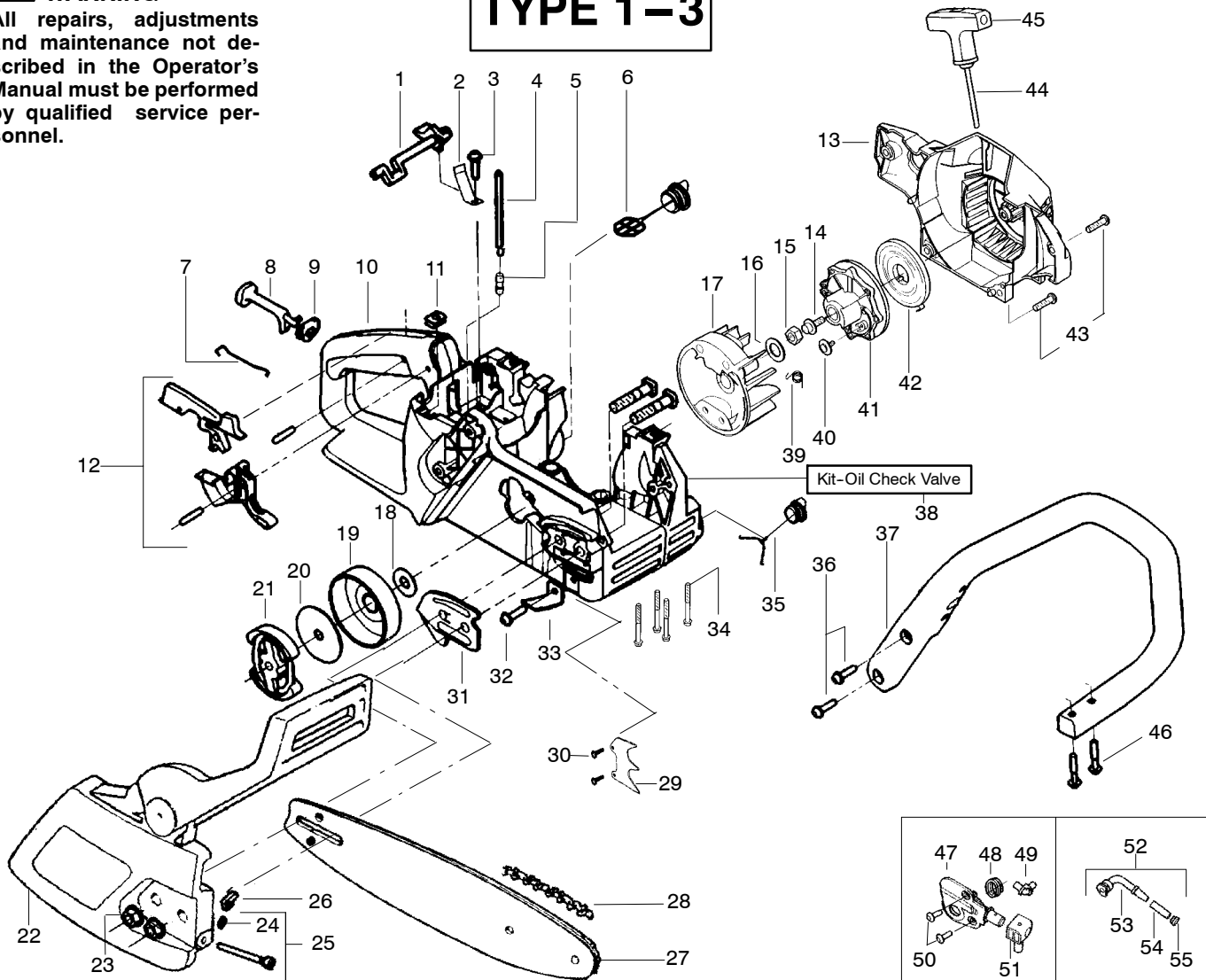


⚠ WARNING
 All repairs, adjustments and maintenance not described in the Operator's Manual must be performed by qualified service personnel.

TYPE 1-3



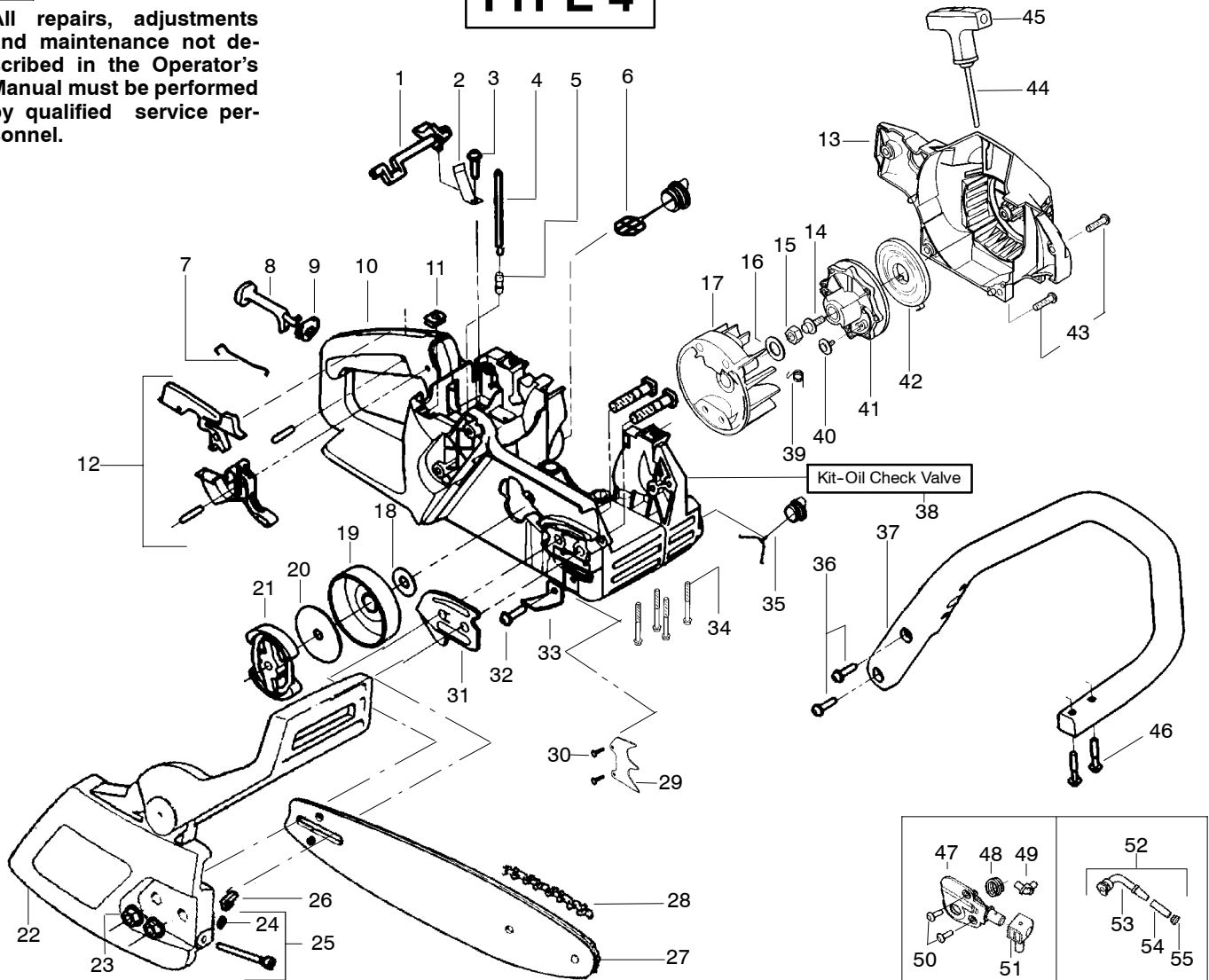
Ref.	Part No.	Description	Ref.	Part No.	Description	Ref.	Part No.	Description
1.	530038227	Lever-Switch (Includes Pin)	21.	530014949	Assy. - Clutch	41.	530037817	Pulley-Starter
2.	530016149	Spring-Switch	22.	530054736	Assy-Chain Brake	42.	530027531	Spring-Starter
3.	530015775	Screw	23.	530015917	Nut-Bar Mounting	43.	530015892	Screw
4.	530069216	Kit-Fuel Line (Large)	24.	530038593	Retainer-Bar Adjust	44.	530069232	Kit-Rope
5.	530023877	Fitting	25.	530069611	Kit-Bar Adjust (incl.24,26)	45.	530056402	Handle-Starter
6.	530047192	Assy-Fuel Cap	26.	530015826	Pin-Bar Adjust	46.	530015940	Screw
7.	530037809	Wire-Throttle	27.	530044915	Bar - 16"	47.	530071259	Kit-Oil Pump (incl 48,49,51)
8.	530047989	Lever-Choke	28.	538248288	Chain - 16"	48.	530037820	Gear-Worm Spring
9.	530038406	Grommet-Choke Knob	29.	530014381	Kit-Spike	49.	530049477	Elbow-Oil Pickup
10.	530056606	Assy-Chassis	30.	530015805	Screw	50.	530016064	Screw
11.	530015922	Nut-Speed	31.	530038238	Plate-Bar Mounting	51.	530019206	Seal Block
12.	530071305	Kit-Trigger & Lockout	32.	530015814	Screw	52.	530047663	Assy-Oil-Pickup (Incl. 53-55)
13.	530054175	Housing-Fan	33.	530029850	Chain Catcher	53.	530038373	Pickup-Oiler
14.	530015920	Screw	34.	530016132	Screw	54.	530037821	Filter-Oil
15.	530016134	Nut-Flywheel	35.	530010846	Assy-Oil Cap	55.	530030189	Plug-Oil Filter
16.	530015127	Washer-Flywheel	36.	530015814	Screw			
17.	530039209	Assy-Flywheel	37.	530056798	Handle-Front			
18.	530015907	Washer - Thrust	38.	530071666	Kit-Oil Check Valve			
19.	530047061	Assy-Drum W/brg.	39.	530023817	Spring - Starter Dog			
20.	530015611	Washer-Clutch	40.	530016080	Screw			

✓ = NEW PART NUMBER FOR THIS IPL

★ = REFER TO THE SERVICE REFERENCE INDICATED FOR MORE INFORMATION. (LOCATED AT END OF IPL)

▲ WARNING
All repairs, adjustments and maintenance not described in the Operator's Manual must be performed by qualified service personnel.

TYPE 4



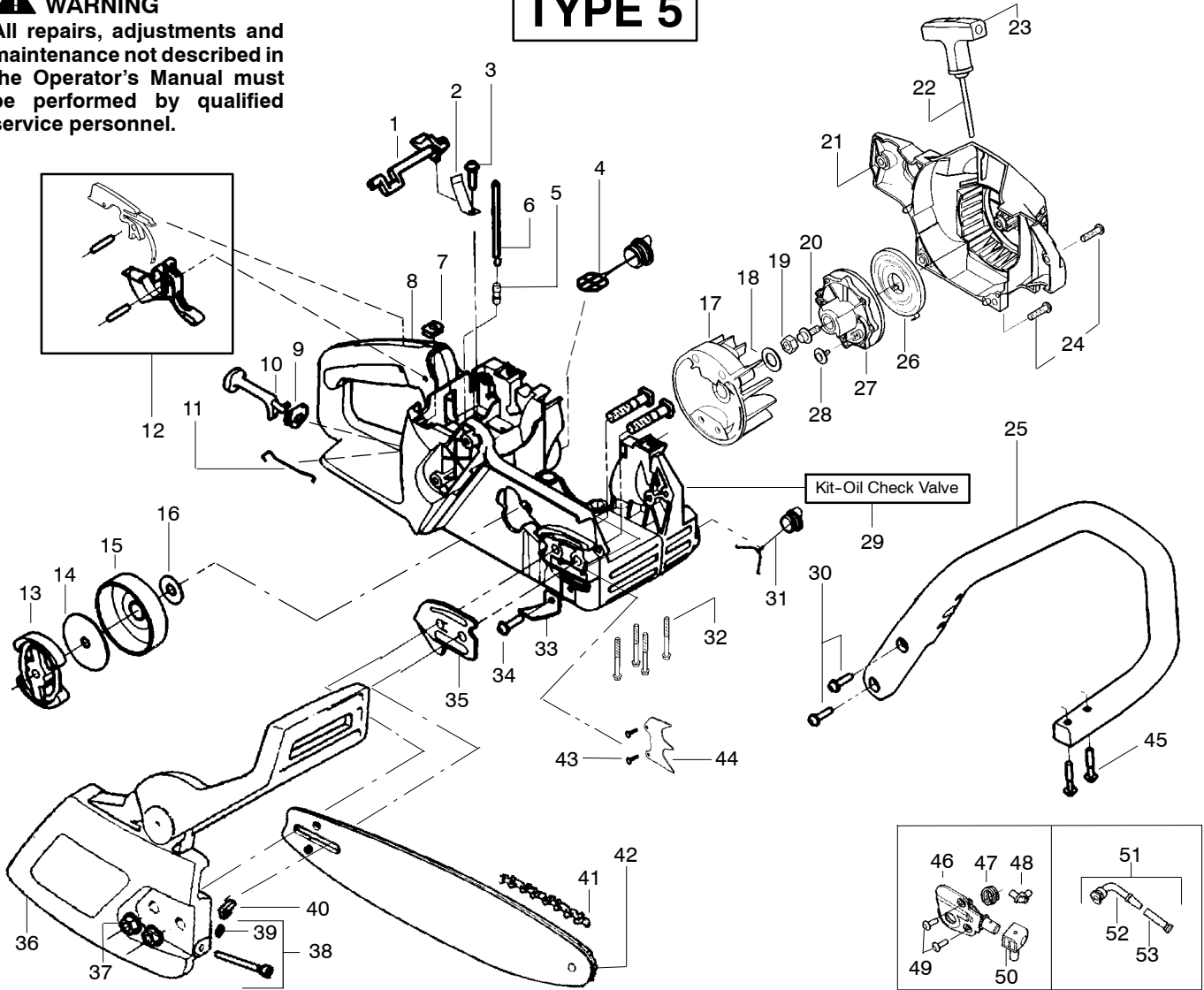
Ref.	Part No.	Description	Ref.	Part No.	Description	Ref.	Part No.	Description
1.	530038227	Lever-Switch (Includes Pin)	21.	530014949	Assy. - Clutch	41.	530037817	Pulley- Starter
2.	530016149	Spring-Switch	22.	530054739	Assy-Chain Brake	42.	530027531	Spring- Starter
3.	530015775	Screw	23.	530015917	Nut- Bar Mounting	43.	530015892	Screw
4.	530069216	Kit-Fuel Line (Large)	24.	530038593	Retainer- Bar Adjust	44.	530069232	Kit-Rope
5.	530023877	Fitting	25.	530069611	Kit- Bar Adjust (incl.24,26)	45.	530056402	Handle- Starter
6.	530047192	Assy-Fuel Cap	26.	530015826	Pin- Bar Adjust	46.	530015940	Screw
7.	530037809	Wire-Throttle	27.	530044915	Bar - 16"	47.	530071259	Kit-Oil Pump (incl 48,49,51)
8.	530047989	Lever-Choke	28.	538248288	Chain - 16"	48.	530037820	Gear- Worm Spring
9.	530038406	Grommet-Choke Knob	29.	530014381	Kit-Spike	49.	530049477	Elbow-Oil Pickup
10.	530056735	Assy-Chassis	30.	530015805	Screw	50.	530016064	Screw
11.	530015922	Nut-Speed	31.	530038238	Plate- Bar Mounting	51.	530019206	Seal Block
12.	530071305	Kit-Trigger & Lockout	32.	530015814	Screw	52.	530047663	Assy-Oil-Pickup (Incl. 53-55)
13.	530049335	Housing-Fan	33.	530029850	Chain Catcher	53.	530038373	Pickup-Oiler
14.	530015920	Screw	34.	530016132	Screw	54.	530037821	Filter-Oil
15.	530016134	Nut-Flywheel	35.	530010846	Assy-Oil Cap	55.	530030189	Plug-Oil Filter
16.	530015127	Washer-Flywheel	36.	530015814	Screw			
17.	530039209	Assy-Flywheel	37.	530056798	Handle-Front			
18.	530015907	Washer - Thrust	38.	530071666	Kit-Oil Check Valve			
19.	530047061	Assy-Drum W/brg.	39.	530023817	Spring - Starter Dog			
20.	530015611	Washer-Clutch	40.	530016080	Screw			

✓ = NEW PART NUMBER FOR THIS IPL

* = REFER TO THE SERVICE REFERENCE INDICATED FOR MORE INFORMATION. (LOCATED AT END OF IPL)

⚠ WARNING
All repairs, adjustments and maintenance not described in the Operator's Manual must be performed by qualified service personnel.

TYPE 5

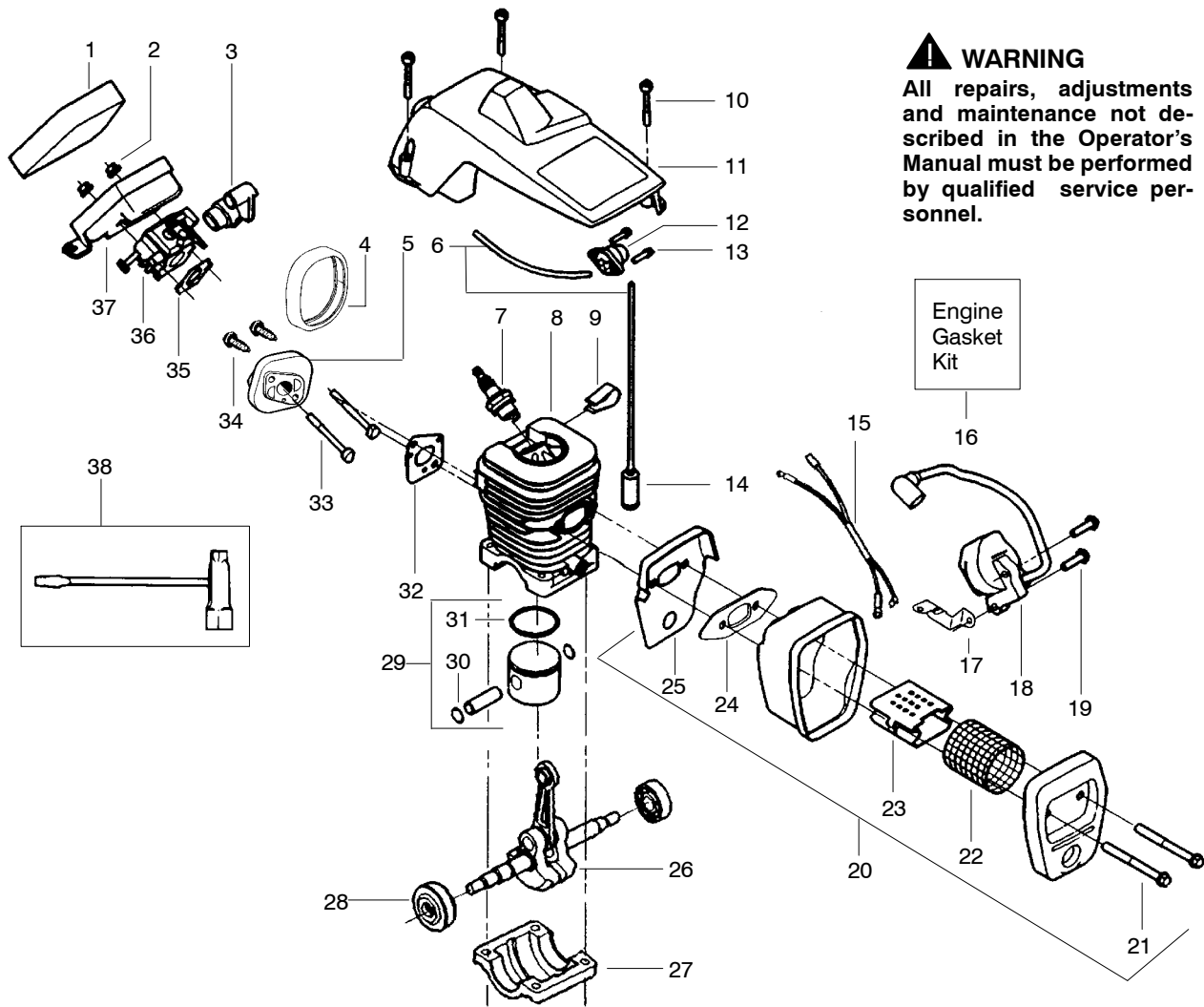


Ref.	Part No.	Description	Ref.	Part No.	Description	Ref.	Part No.	Description
1.	530038227	Lever-Switch (Includes Pin)	21.	530049335	Housing-Fan	40.	530015826	Pin-Bar Adjust
2.	530016149	Spring-Switch	22.	530069232	Kit-Rope	41.	952051211	Chain-16"
3.	530015775	Screw	23.	530056402	Handle-Starter	42.	530044915	Bar-16"
4.	530047192	Assy-Fuel Cap	24.	530015892	Screw	43.	530016439	Screw
5.	530023877	Fitting	25.	530059172	Handle-Front	44.	530014381	Kit-Spike (incl. #43)
6.	530069216	Kit-Fuel Line (Large)	26.	530027531	Spring-Starter	45.	530015940	Screw
7.	530015922	Nut-Speed	27.	530037817	Pulley-Starter	46.	530071259	Kit-Oil Pump (incl 47,48,50)
8.	530057470	Assy-Chassis	28.	530016080	Screw	47.	530037820	Gear-Worm Spring
9.	530049005	Grommet-Choke Knob	29.	530071666	Kit-Oil Check Valve	48.	530049477	Elbow-Oil Pickup
10.	530047989	Lever-Choke	30.	530015814	Screw	49.	530016064	Screw
11.	530037809	Wire-Throttle	31.	530010846	Assy-Oil Cap	50.	530019206	Seal Block
12.	530071832	Kit-Trigger & Lockout	32.	530016132	Screw	51.	530047663	Assy-Oil-Pickup (Incl. 52-53)
13.	530014949	Assy. - Clutch	33.	530029850	Chain Catcher	52.	530038373	Pickup-Oiler
14.	530015611	Washer-Clutch	34.	530015814	Screw	53.	530056533	Filter-Oil
15.	530047061	Assy-Drum W/brg.	35.	530038238	Plate-Bar Mounting			
16.	530015907	Washer - Thrust	36.	545139901	Assy-Chain Brake			
17.	530047534	Assy - Flywheel	37.	530015917	Nut-Bar Mounting			
18.	530015127	Washer-Flywheel	38.	530069611	Kit-Bar Adjust (incl. 39,40)			
19.	530016134	Nut-Flywheel	39.	530038593	Retainer-Bar Adjust			
20.	530015920	Screw						

✓ = NEW PART NUMBER FOR THIS IPL

* = REFER TO THE SERVICE REFERENCE INDICATED FOR MORE INFORMATION. (LOCATED AT END OF IPL)

TYPE 5



⚠ WARNING

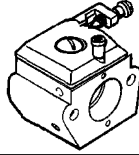
All repairs, adjustments and maintenance not described in the Operator's Manual must be performed by qualified service personnel.

Ref.	Part No.	Description	Ref.	Part No.	Description	Ref.	Part No.	Description
1.	530037793	Foam – Air Filter	17.	530047442	Strap – Ground	32.	530069608	Gasket – Adapter (kit)
2.	530016101	Nut	18.	530039167	Module – Ignition	33.	530016187	Screw
3.	530035526	Grommet – Carb Adjust	19.	530015814	Screw	34.	530016386	Screw
4.	530054144	Seal – Carb Adapter	20.	530047207	Assy – Muffler (Incl. 21 – 25)	35.	530069608	Gasket – Carb. (kit)
5.	530049700	Adapter – Carb.	21.	530016132	Screw	36.	---	Kit – Carburetor
6.	530069247	Kit – Fuel Line (Small)	22.	530036103	Screen – Spark	✓	545081885	Walbro (WT – 891) (Incl. Grommet)
7.	952030150	Spark Plug (RCJ – 7Y)	23.	530037813	Diffuser – Muffler	(Note: Repair kits are not available for these carburetors)		
8.	530012550	Cylinder	24.	530069608	Gasket – Muffler (kit)	37.	530057480	Housing – Air Filter
9.	530016136	Clip – High Tension Lead	25.	530049870	Backplate – Muffler	38.	530031135	Wrench – Bar
10.	530016153	Screw	26.	530047062	Assy. – Crankshaft	Not Shown		
11.	530071310	Kit – Cylinder Shield	27.	530037935	Cap – Crankcase	545123626	Operator Manual	
12.	530071835	Kit – Air Purge (Incl. 13)	28.	530056363	Assy. – Seal & Bearing	530056654	Decal – Warning	
13.	530015780	Screw	29.	530071408	Kit – Piston (Incl. 30 & 31)	545003001	Decal – Warning (Russia)	
14.	530095646	Assy. – Fuel Pick-up	30.	530015697	Retainer – Piston Pin			
15.	530052296	Assy. – Wire Harness	31.	530038729	Ring – Piston			
16.	530069608	Kit – Engine Gasket (Incl. 24, 32 & 35)						

✓ = NEW PART NUMBER FOR THIS IPL * = REFER TO THE SERVICE REFERENCE INDICATED FOR MORE INFORMATION. (LOCATED AT END OF IPL)
 ● = THESE PARTS ARE ILLUSTRATED FOR CLARITY. ORDER COMPLETE ASSEMBLY.

PARTS LIST NO. 530163921		McCULLOCH PARTS LIST	CHAIN SAW MODEL(s) MAC – 325 (Russia)
DATE 3/04/08	Replaces 163921 – 4/10/07		Note: Illustration may differ from actual model due to design changes

Kit - Carburetor Assembly No. 530071618 - W14A
Kit - Carburetor Assembly No. 530071820 - W20
Kit - Carburetor Assembly No. 530071821 - WT662



Note: No Repair kits are available for these carburetors

✓ = NEW PART NUMBER FOR THIS IPL ★ = REFER TO THE SERVICE REFERENCE INDICATED FOR MORE INFORMATION. (LOCATED AT END OF IPL)
● = THESE PARTS ARE ILLUSTRATED FOR CLARITY. ORDER COMPLETE ASSEMBLY.