

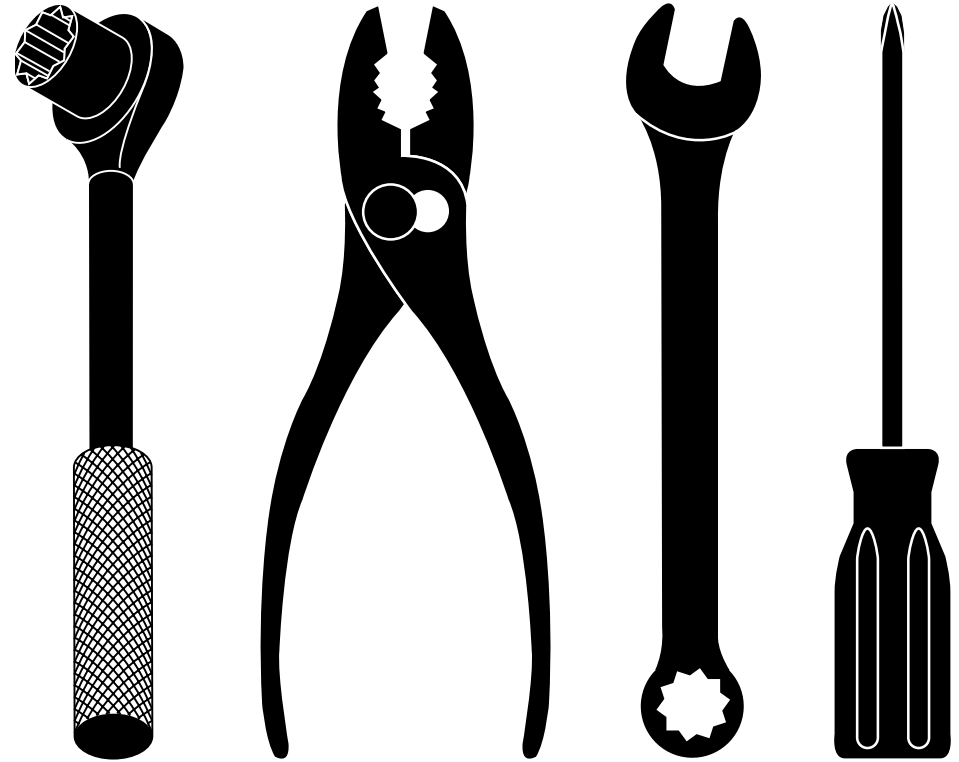
LIMITED WARRANTY

The Manufacturer warrants to the original consumer purchaser that this product as manufactured is free from defects in materials and workmanship. For a period of two (2) years from date of purchase by the original consumer purchaser, we will repair or replace, at our option, without charge for parts or labor incurred in replacing parts, any part which we find to be defective due to materials or workmanship. This Warranty is subject to the following limitations and exclusions.

1. This warranty does not apply to the engine. Please contact your nearest dealer where they will send the machine to the engine manufacturer.
2. Transportation charges for the movement of any power equipment unit or attachment are the responsibility of the purchaser. Transportation charges for any parts submitted for replacement under this warranty must be paid by the purchaser unless such return is requested by your dealer.
3. Battery Warranty: On products equipped with a Battery, we will replace, without charge to you, any battery which we find to be defective in manufacture, during the first ninety (90) days of ownership. After ninety (90) days, we will exchange the Battery, charging you 1/12 of the price of a new Battery for each full month from the date of the original sale. Battery must be maintained in accordance with the instructions furnished.
4. The Warranty period for any products used for rental or commercial purposes is limited to 90 days from the date of original purchase.
5. This Warranty applies only to products which have been properly assembled, adjusted, operated, and maintained in accordance with the instructions furnished. This Warranty does not apply to any product which has been subjected to alteration, misuse, abuse, improper assembly or installation, delivery damage, or to normal wear of the product.
6. Exclusions: Excluded from this Warranty are belts, blades, blade adapters, normal wear, normal adjustments, standard hardware and normal maintenance.
7. In case of any problem within the boundaries of this warranty, contact the nearest department store, indicate the model number, serial number and the date of purchase of your machine. This warranty does not apply to accidental damages. All implicit warranties are limited to the same time frames. Or contact:

E.M. Services
54 Rue Lambrechts
92400 Courbevoie
France
Telephone: (1) 46678078
Fax: (1) 46678095

THIS WARRANTY DOES NOT APPLY TO INCIDENTAL OR CONSEQUENTIAL DAMAGES. ANY IMPLIED WARRANTIES ARE LIMITED TO THE SAME TIME PERIODS STATED HEREIN.



REPAIR PARTS MANUAL MODEL NO. M6556SMD MFG. ID. NO. 96121001002 Rotary Lawn Mower

PARTNER
www.partner.biz

PARTNER

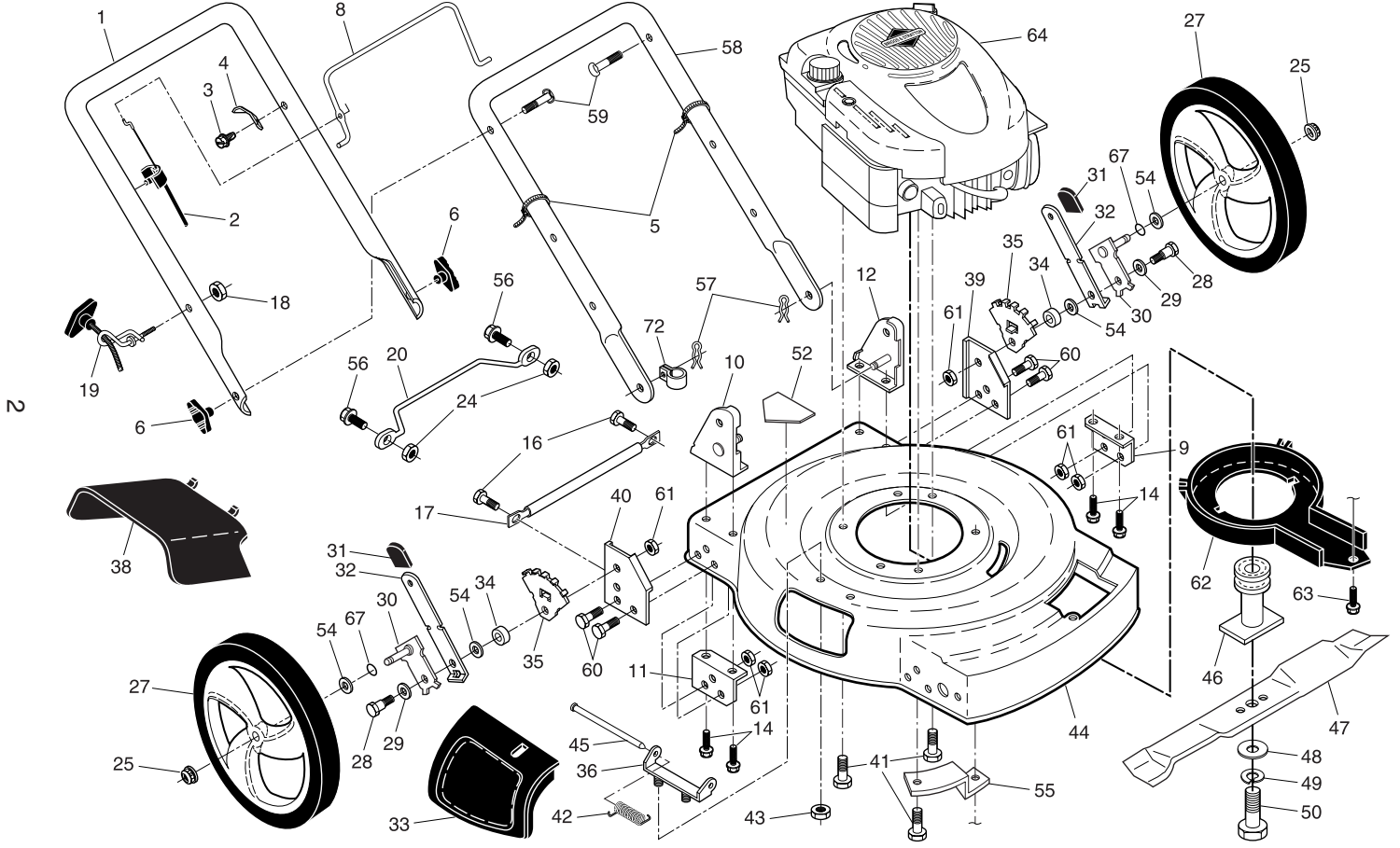
ROTARY LAWN MOWER - - MODEL NUMBER M6556SMD (MFG. ID. NUMBER 96121001002)

KEY NO.	PART NO.	DESCRIPTION	KEY NO.	PART NO.	DESCRIPTION
1	532 40 32-98	Upper Handle	40	532 40 33-81	Support Bracket, RH
2	532 18 35-67	Engine Zone Control Cable	41	532 15 04-06	Screw, Hex Head, Threaded, Rolled 3/8-16 x 1-1/8
3	532 75 06-34	Screw	42	532 15 21-24	Spring, Torsion
4	532 12 51-62	Bracket, Upstop	43	873 80 04-00	Locknut, Hex
5	532 06 64-26	Wire Tie	44	532 41 00-12	Lawn Mower Housing (Includes Key Number 46)
6	532 19 19-38	Handle Knob	45	532 14 72-86	Rod, Hinge
8	532 19 84-64	Control Bar	46	532 18 91-79	Blade Adapter / Pulley
9	532 19 58-00	Support Bracket, Handle, LH	47	532 19 93-79	Blade, 22"
10	532 17 09-75	Handle Bracket Assembly, RH	48	532 85 10-74	Washer, Hardened
11	532 19 57-99	Support Bracket, Handle, RH	49	532 85 02-63	Washer, Lock, Helical
12	532 17 09-77	Handle Bracket Assembly, LH	50	532 85 10-84	Screw, Hex Head 3/8-24 x 1-3/8 (Grade 8)
14	532 14 97-41	Screw, Thread Cutting 5/16-18 x 3/4	52	532 18 21-66	Decal, Danger
16	532 05 45-83	Screw	54	532 08 83-48	Washer, Flat 1/2
17	532 17 71-41	Support Rod	55	532 19 09-39	Mounting Bracket, Debris Shield
18	532 13 20-04	Locknut, Keys	56	532 08 58-25	Screw
19	532 19 47-88	Rope Guide	57	532 05 17-93	Hairpin Cotter
20	532 15 41-47	Footguard	58	532 15 50-44	Lower Handle
24	532 06 91-80	Nut, Hex	59	532 19 15-74	Handle Bolt
25	532 14 52-12	Locknut, Hex 3/18-16	60	874 76 06-12	Bolt
27	532 40 29-35	Wheel & Tire Assembly	61	532 75 15-92	Locknut, Hex
28	532 14 27-48	Shoulder Bolt	62	532 40 58-43	Debris Shield
29	532 40 16-30	Belleville Washer	63	532 19 23-25	Screw
30	532 40 65-82	Axle Arm Assembly	64	- - -	Engine, Briggs & Stratton, Model Number 124K02 (Order Parts from Engine Manufacturer)
31	532 08 78-77	Knob, Selector	67	532 19 74-80	O-Ring
32	532 40 64-28	Spring, Selector	72	532 19 79-91	Clip, Cable
33	532 15 18-89	Mulcher Door	- -	532 18 21-34	Warning Decal (not shown)
34	532 40 16-29	Spacer	- -	532 40 04-53	Operator's Manual, European
35	532 41 08-07	Bracket, Wheel Adjuster	- -	532 40 04-54	Operator's Manual, Scandinavian
36	532 15 41-32	Bracket, Housing	- -	532 40 04-56	Operator's Manual, East Bloc
38	532 17 65-09	Deflector, Discharge	- -	532 40 04-55	Operator's Manual, Baltic
39	532 40 33-82	Support Bracket, LH	- -	532 40 98-88	Repair Parts Manual, English

NOTE: All component dimensions given in U.S. inches. 1 inch = 25.4 mm.

IMPORTANT: Use only Original Equipment Manufacturer (O.E.M.) replacement parts. Failure to do so could be hazardous, damage your lawn mower and void your warranty.

ROTARY LAWN MOWER - - MODEL NUMBER M6556SMD (MFG. ID. NUMBER 96121001002)

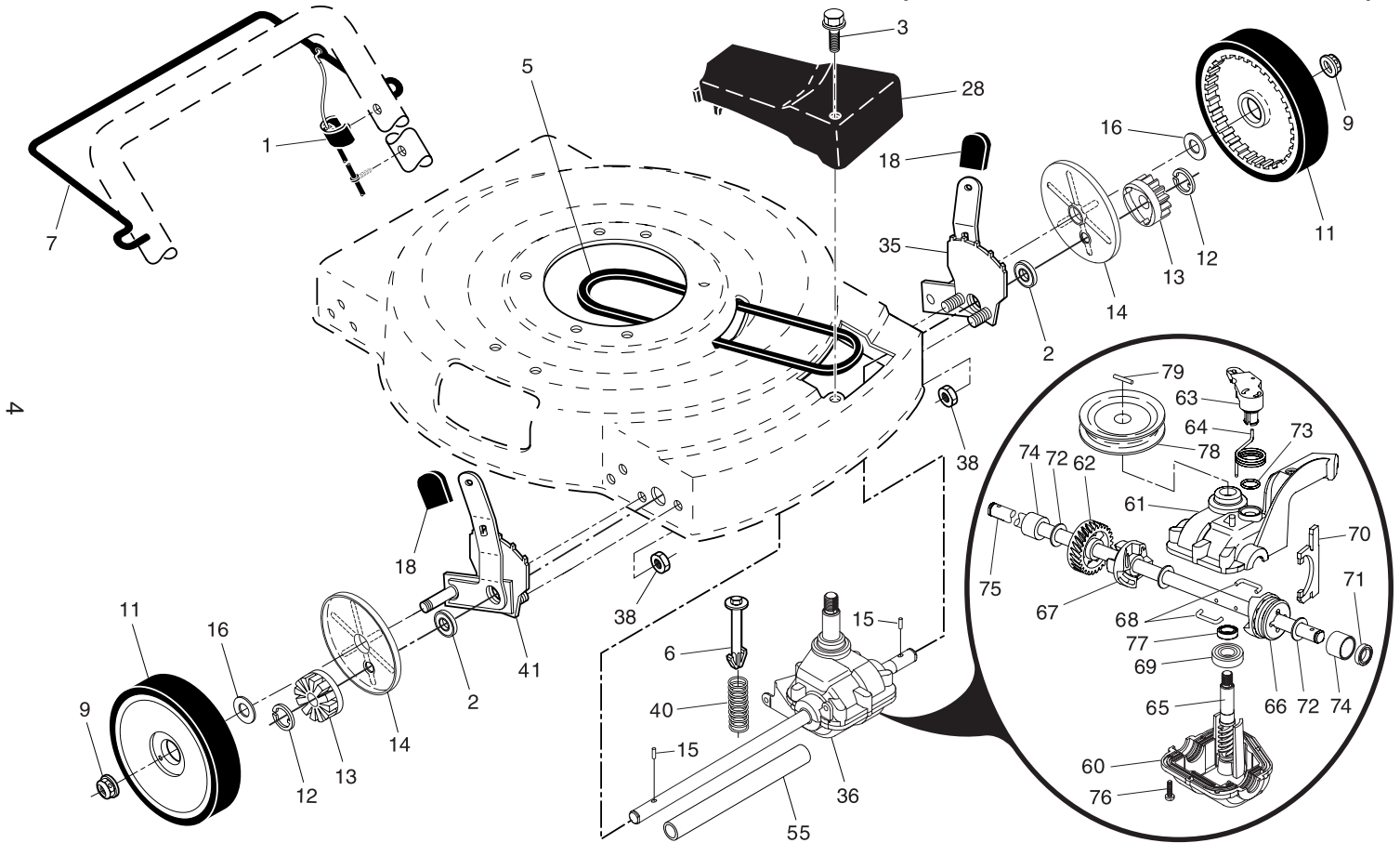


2

7

SERVICE NOTES

ROTARY LAWN MOWER - - MODEL NUMBER M6556SMD (MFG. ID. NUMBER 96121001002)



ROTARY LAWN MOWER - - MODEL NUMBER M6556SMD (MFG. ID. NUMBER 96121001002)

KEY NO.	PART NO.	DESCRIPTION
1	532 19 46-53	Drive Control Cable Assembly
2	532 08 80-58	Bearing, Wheel Adjuster
3	532 14 36-03	Pan Head Tapping Screw #10-24 x 2-3/4
5	532 14 65-27	V-Belt
6	532 15 04-95	Spring Retainer
7	532 19 84-53	Control Bar, Drive
9	532 08 39-23	Locknut, Hex
11	532 40 29-36	Wheel & Tire Assembly
12	812 00 00-58	E-Ring
13	532 40 38-49	Pinion
14	532 18 94-03	Dust Cover
15	532 19 10-17	Pawl, Drive
16	532 06 77-25	Washer
18	532 08 78-77	Selector Knob
28	532 19 58-11	Drive Cover
35	532 40 88-03	Kit, Wheel Adjuster, LH (Includes Knob and Bearing)
36	532 19 92-06	Gear Case Assembly, Complete
38	873 80 04-00	Locknut, Hex 1/4-20
40	532 13 70-90	Spring
41	532 40 88-02	Kit, Wheel Adjuster, RH (Includes Knob and Bearing)

KEY NO.	PART NO.	DESCRIPTION
55	532 08 60-12	Driveshaft Cover
60	532 18 34-97	* Case, Lower
61	532 18 34-98	* Case, Upper
62	532 18 34-99	Gear, 27 Teeth
63	532 18 35-00	Lever, Clutch
64	532 18 35-01	Spring, Return
65	532 18 35-02	Shaft, Input
66	532 18 35-03	Dog, Movable
67	532 18 35-04	Dog, Fixed
68	532 18 35-05	Wire, Formed
69	532 18 35-06	Bearing, Ball
70	532 18 35-07	Fork, Shift
71	532 18 35-08	Seal, Output Shaft
72	532 18 35-09	Washer
73	532 18 35-10	Seal, Case
74	532 18 35-11	Bushing
75	532 19 65-61	Shaft, Output
76	532 18 35-13	Screw
77	532 18 35-14	Seal, Input Shaft
78	532 19 98-52	Drive Pulley
79	532 19 94-19	Pin, Retaining

* Use Dow Corning #709 to reseat.

NOTE: All component dimensions given in U.S. inches. 1 inch = 25.4 mm.

IMPORTANT: Use only Original Equipment Manufacturer (O.E.M.) replacement parts. Failure to do so could be hazardous, damage your lawn mower and void your warranty.